



US00D930727S

(12) **United States Design Patent** (10) **Patent No.:** **US D930,727 S**
Yao et al. (45) **Date of Patent:** **** Sep. 14, 2021**

(54) **INTELLIGENCE ROBOT**

(56) **References Cited**

(71) Applicant: **BEIJING ORION STAR TECHNOLOGY CO., LTD.**, Beijing (CN)

U.S. PATENT DOCUMENTS

D735,258 S * 7/2015 Jang D15/199
D766,644 S * 9/2016 Huang D7/306
D913,349 S * 3/2021 Yao D15/199
2014/0009561 A1* 1/2014 Sutherland F16M 11/42
348/14.05

(72) Inventors: **Hechun Yao**, Beijing (CN); **Can Wang**, Beijing (CN)

* cited by examiner

(73) Assignee: **BEIJING ORION STAR TECHNOLOGY CO., LTD.**, Beijing (CN)

Primary Examiner — Patricia A Palasik

(74) *Attorney, Agent, or Firm* — Osha Bergman Watanabe & Burton LLP

(**) Term: **15 Years**

(57) **CLAIM**

The ornamental design for an intelligence robot, as shown and described.

(21) Appl. No.: **29/760,724**

DESCRIPTION

(22) Filed: **Dec. 3, 2020**

Related U.S. Application Data

(62) Division of application No. 29/664,081, filed on Sep. 21, 2018, now Pat. No. Des. 913,349.

FIG. 1 is a front elevation view of an intelligence robot showing a first embodiment thereof;
FIG. 2 is a rear elevation view of an intelligence robot;
FIG. 3 is a left side elevation view of an intelligence robot;
FIG. 4 is a right side elevation view of an intelligence robot;
FIG. 5 is a top plan view of an intelligence robot;
FIG. 6 is a bottom plan view of an intelligence robot;
FIG. 7 is a perspective view of an intelligence robot;
FIG. 8 is a front elevation view of an intelligence robot showing a second embodiment thereof;
FIG. 9 is a rear elevation view of an intelligence robot;
FIG. 10 is a left side elevation view of an intelligence robot;
FIG. 11 is a right side elevation view of an intelligence robot;
FIG. 12 is a top plan view of an intelligence robot;
FIG. 13 is a bottom plan view of an intelligence robot; and,
FIG. 14 is a perspective view of an intelligence robot.
Portions of the Figures shown in broken lines depict portions of the intelligence robot and form no part of the claimed design.

(30) **Foreign Application Priority Data**

Mar. 21, 2018 (CN) 201830106004.7

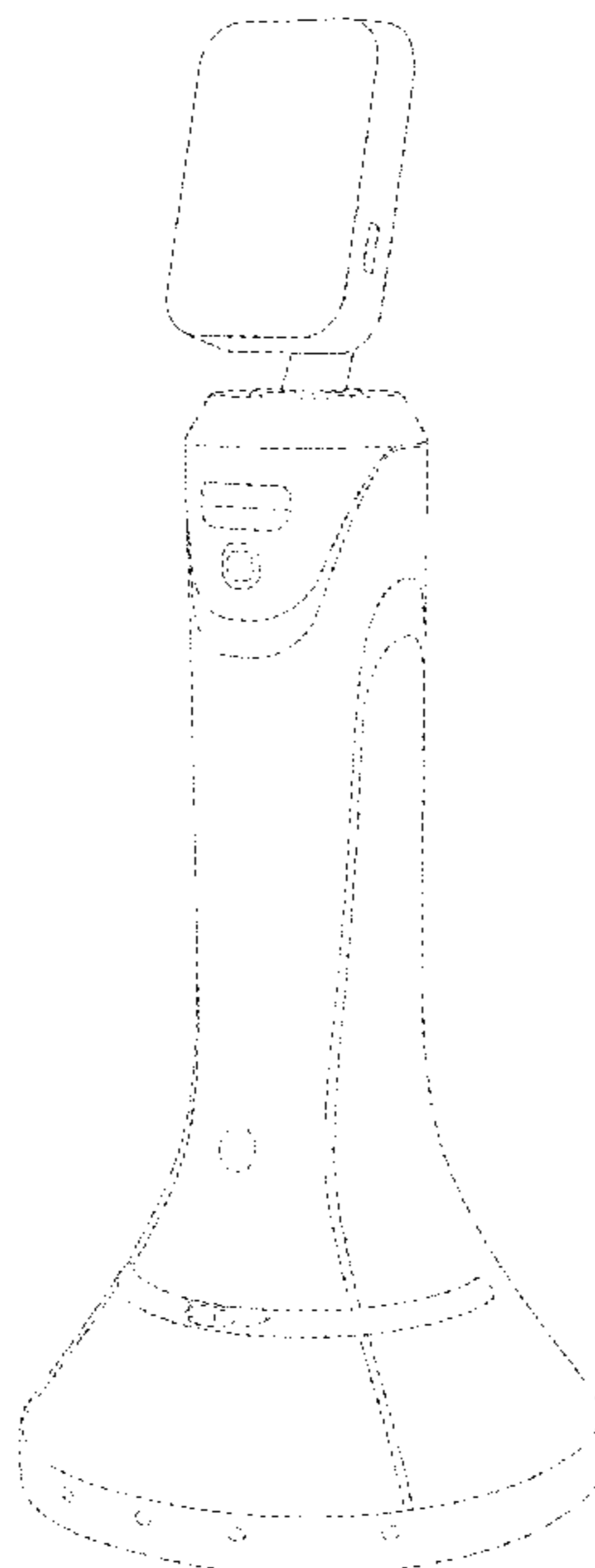
(51) **LOC (13) Cl.** **15-99**

(52) **U.S. Cl.**
USPC **D15/199**

(58) **Field of Classification Search**
USPC D15/199; D21/578–583, 621, 622;
D32/21
CPC B25J 5/007; B60B 19/006; B62D 57/024;
H01F 7/0221; Y10S 901/01

See application file for complete search history.

1 Claim, 14 Drawing Sheets



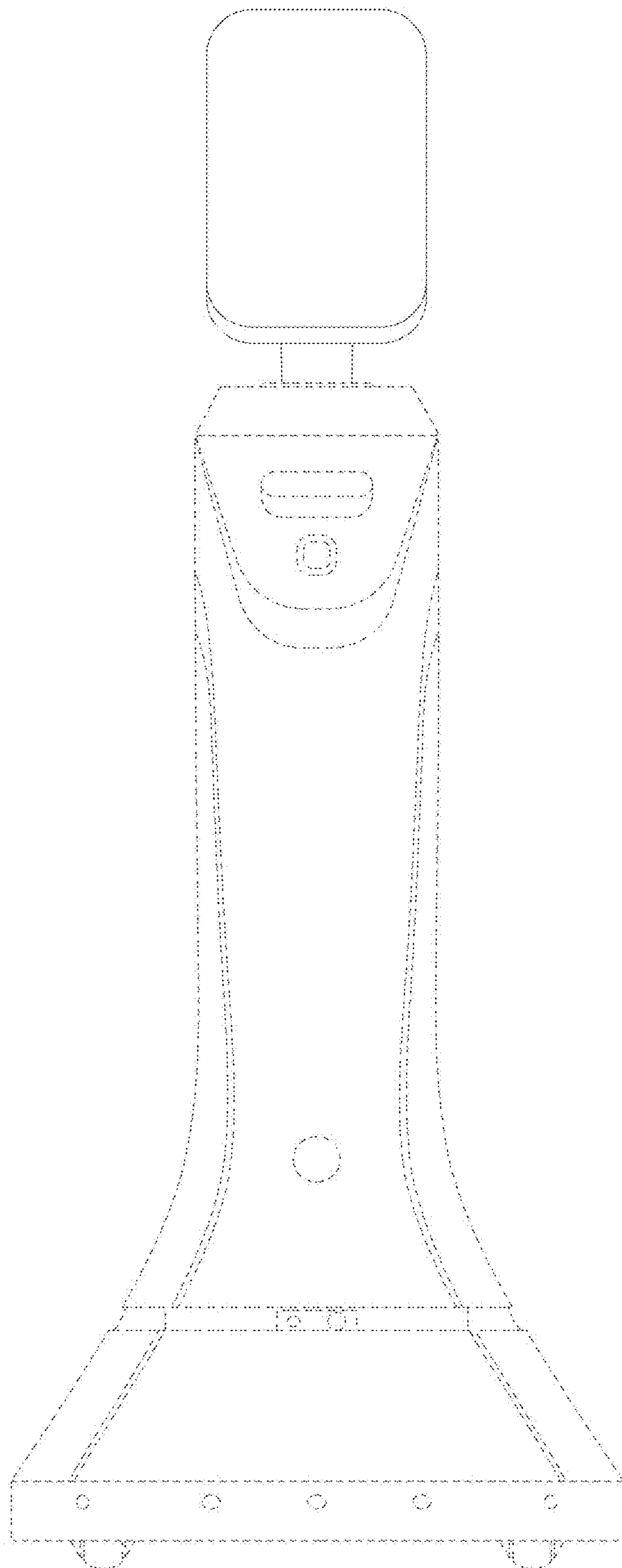


Fig. 1

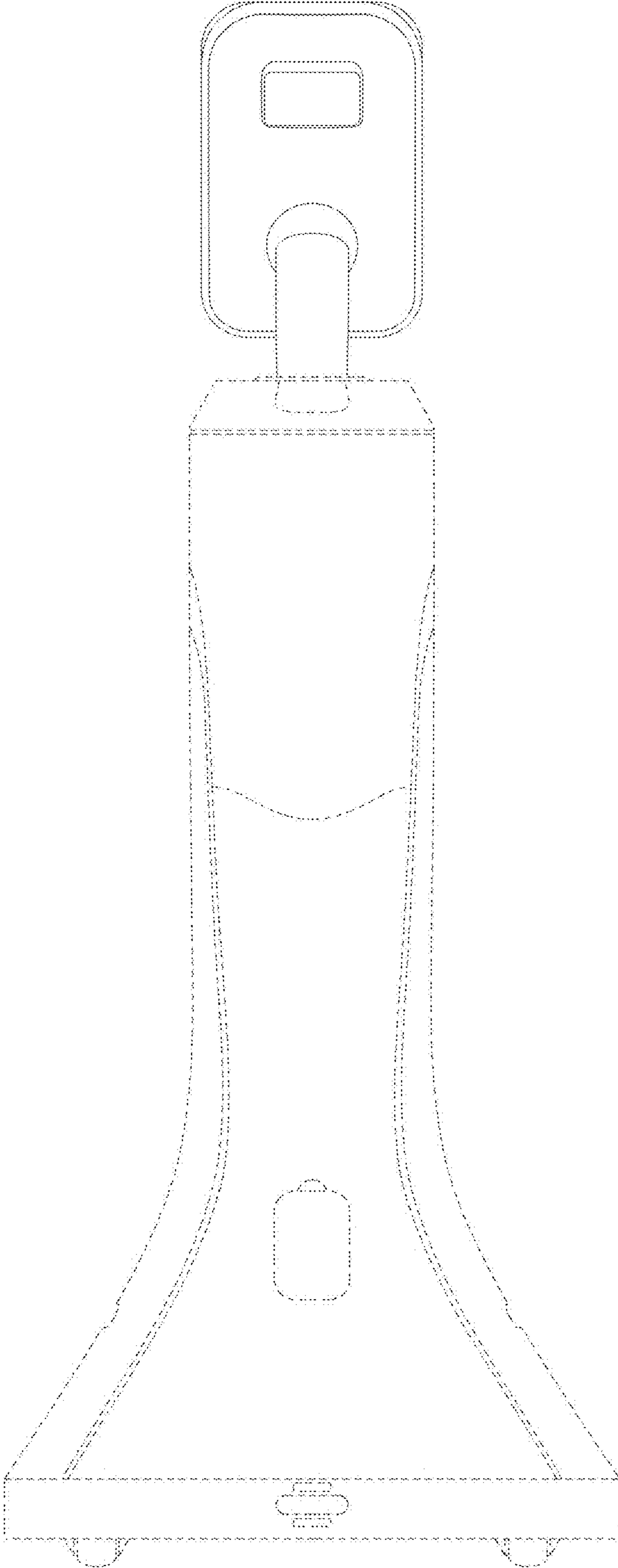


Fig. 2

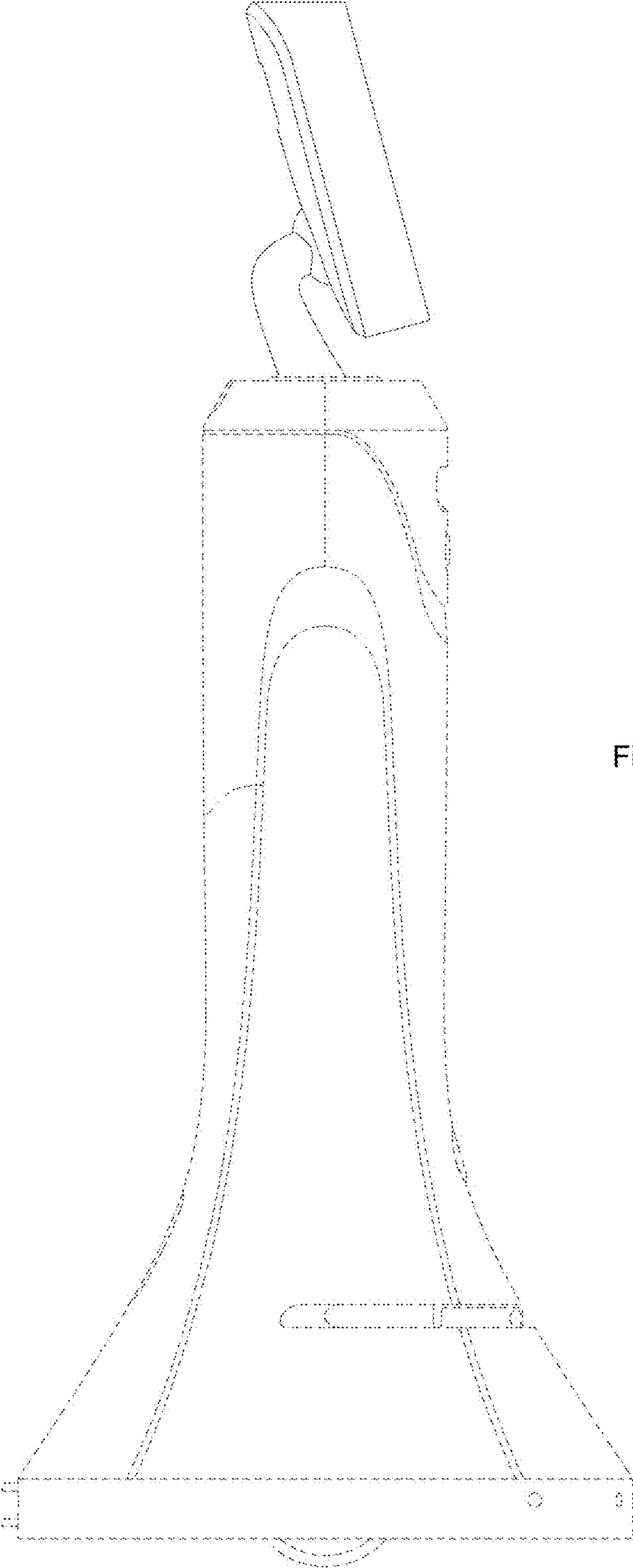


Fig. 3

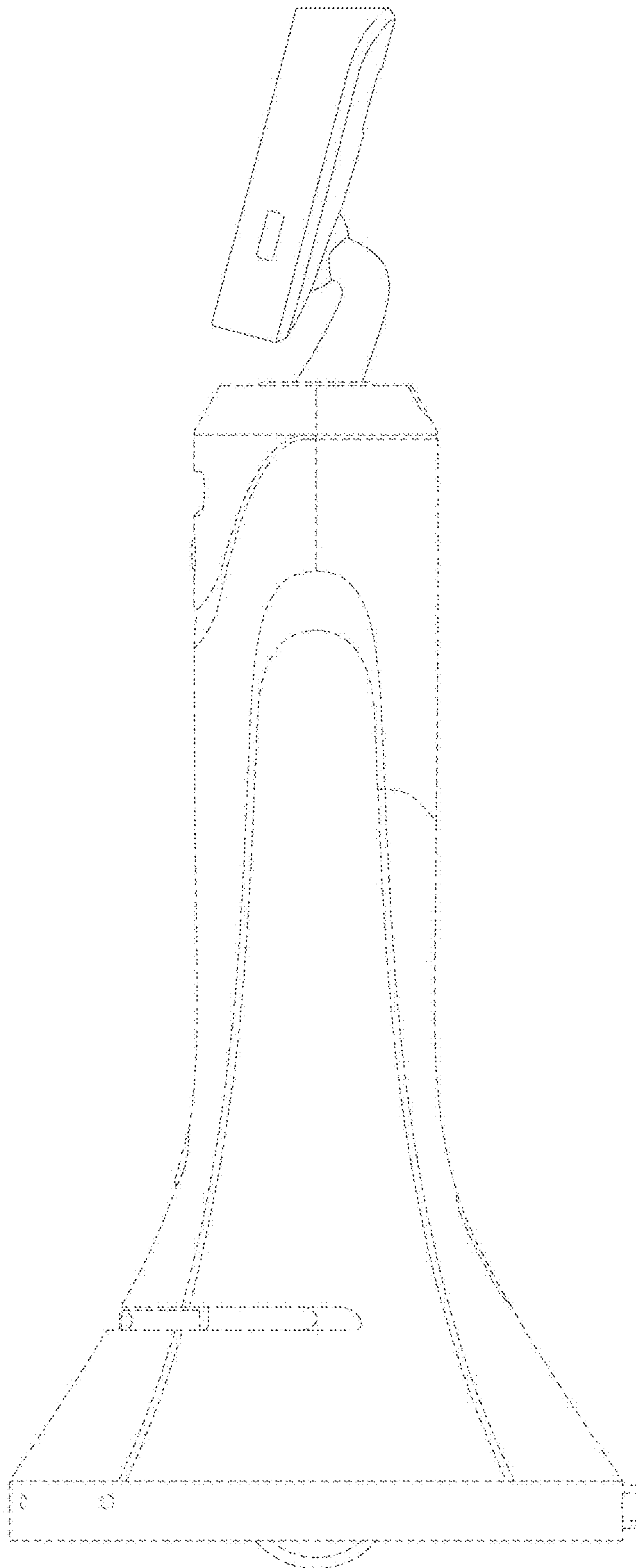


Fig. 4

Fig. 5

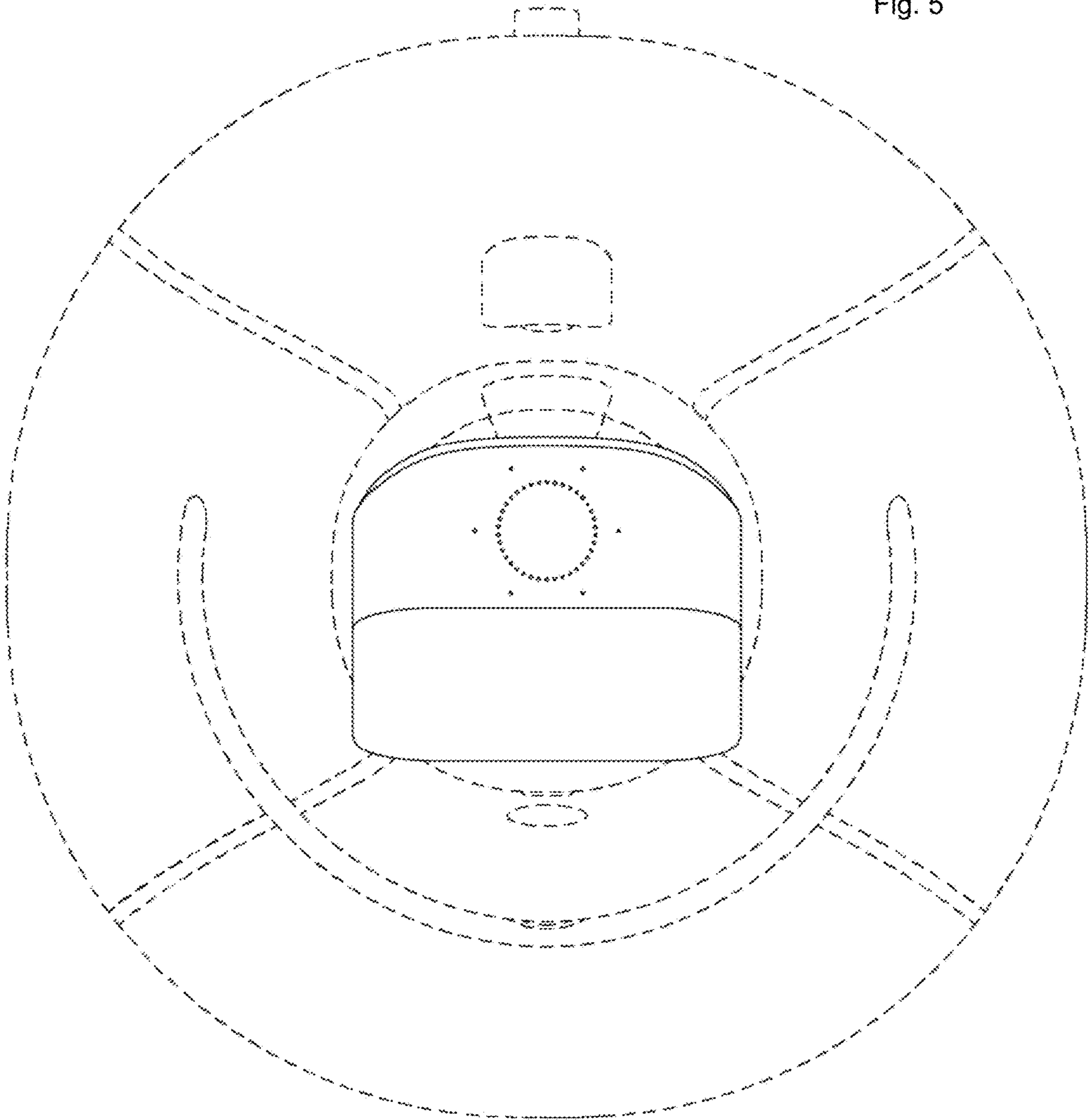
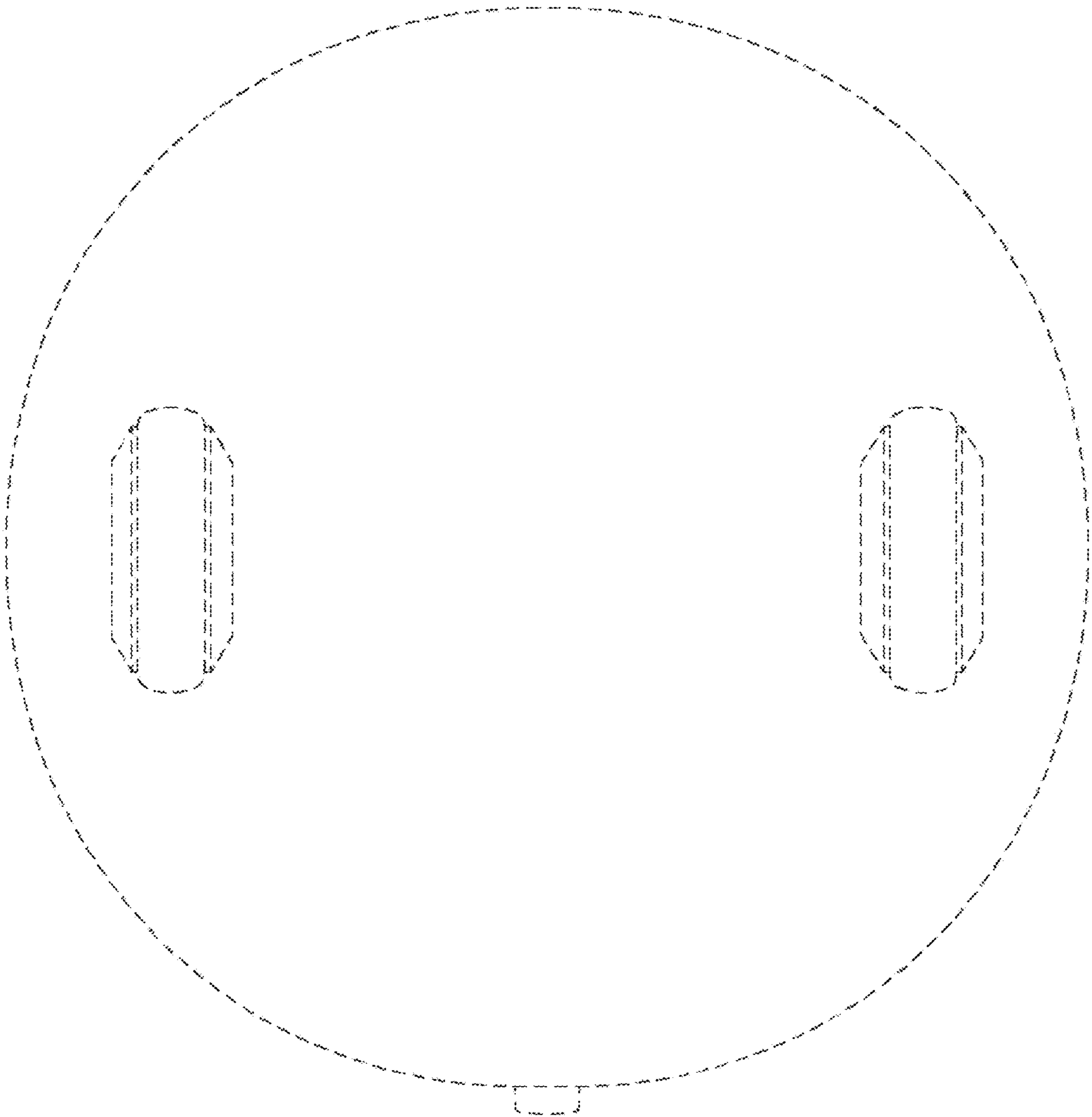


Fig. 6



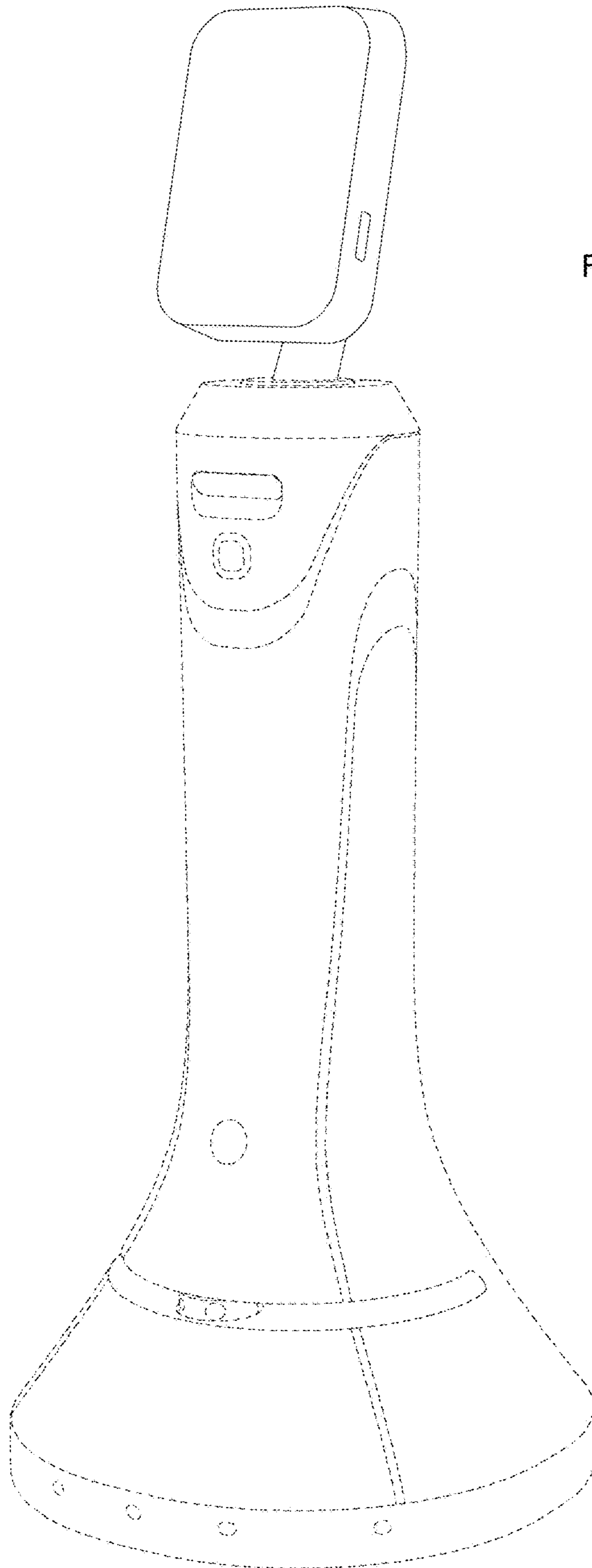


Fig. 7

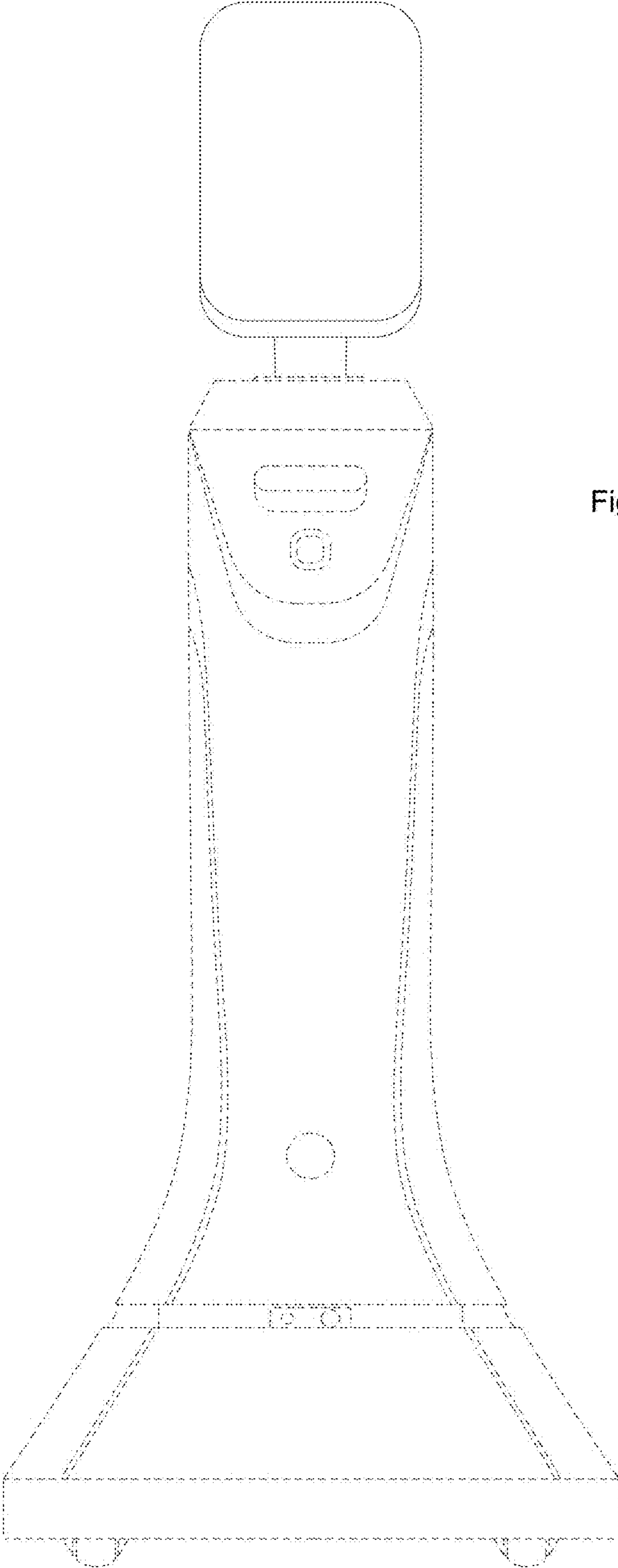


Fig. 8

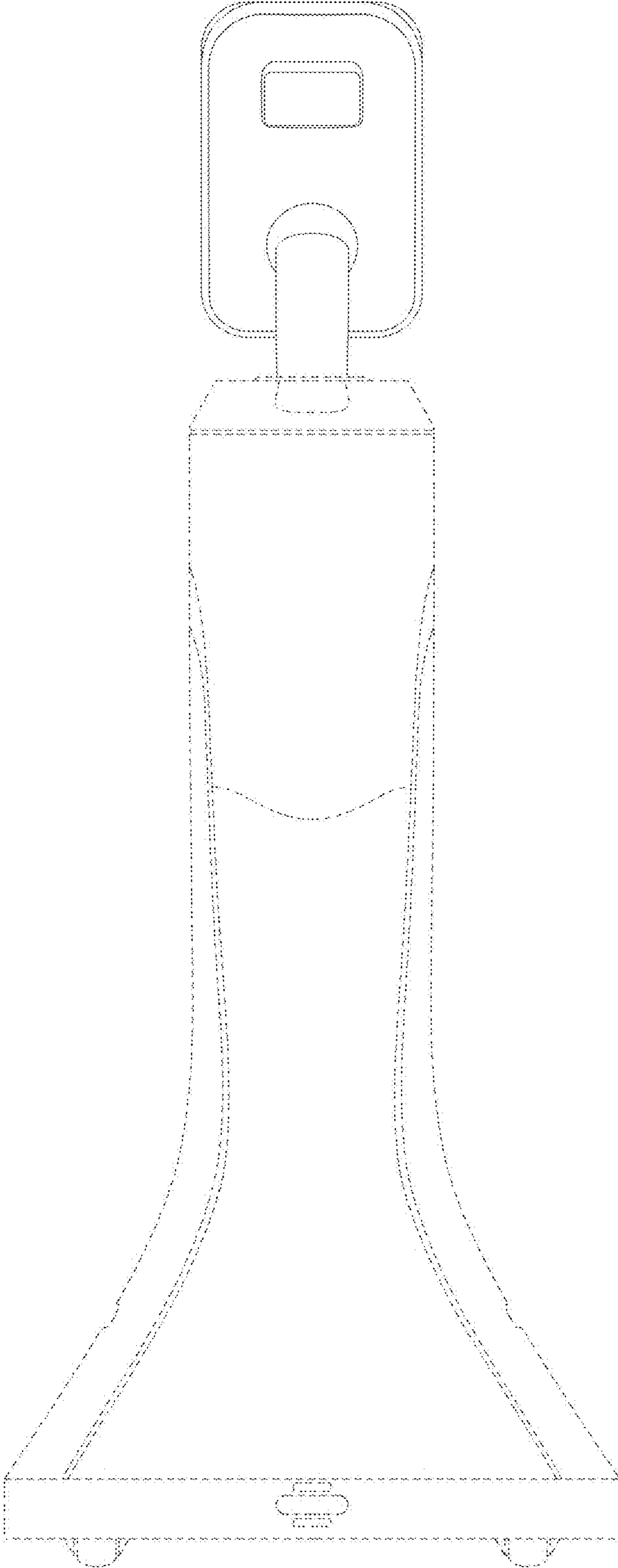


Fig. 9

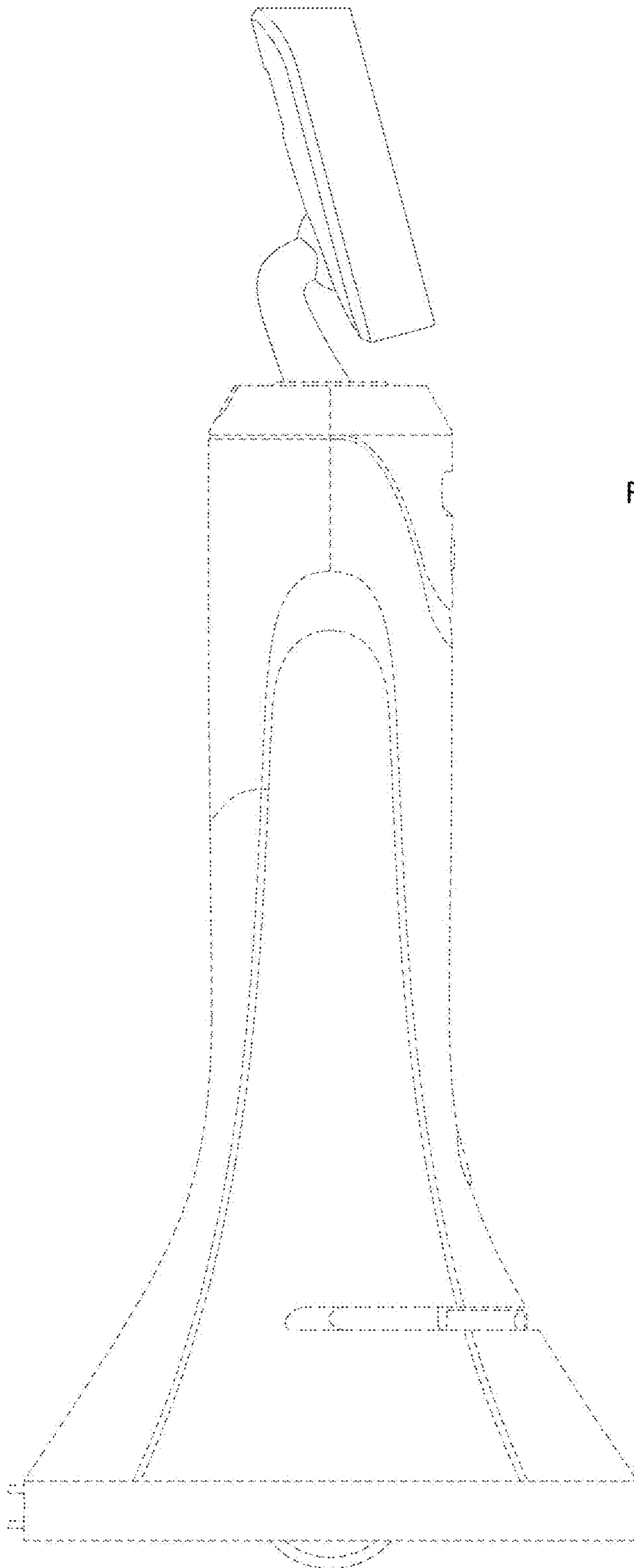


Fig. 10

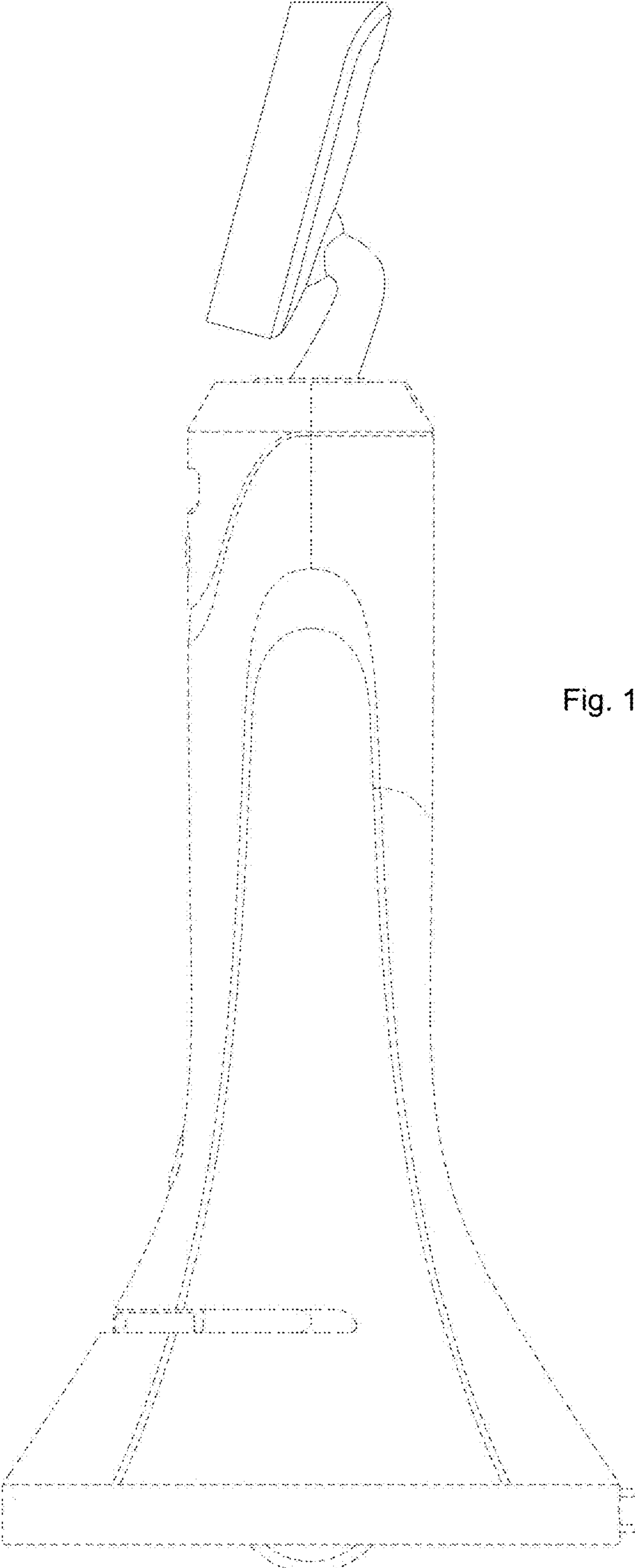


Fig. 11

Fig. 12

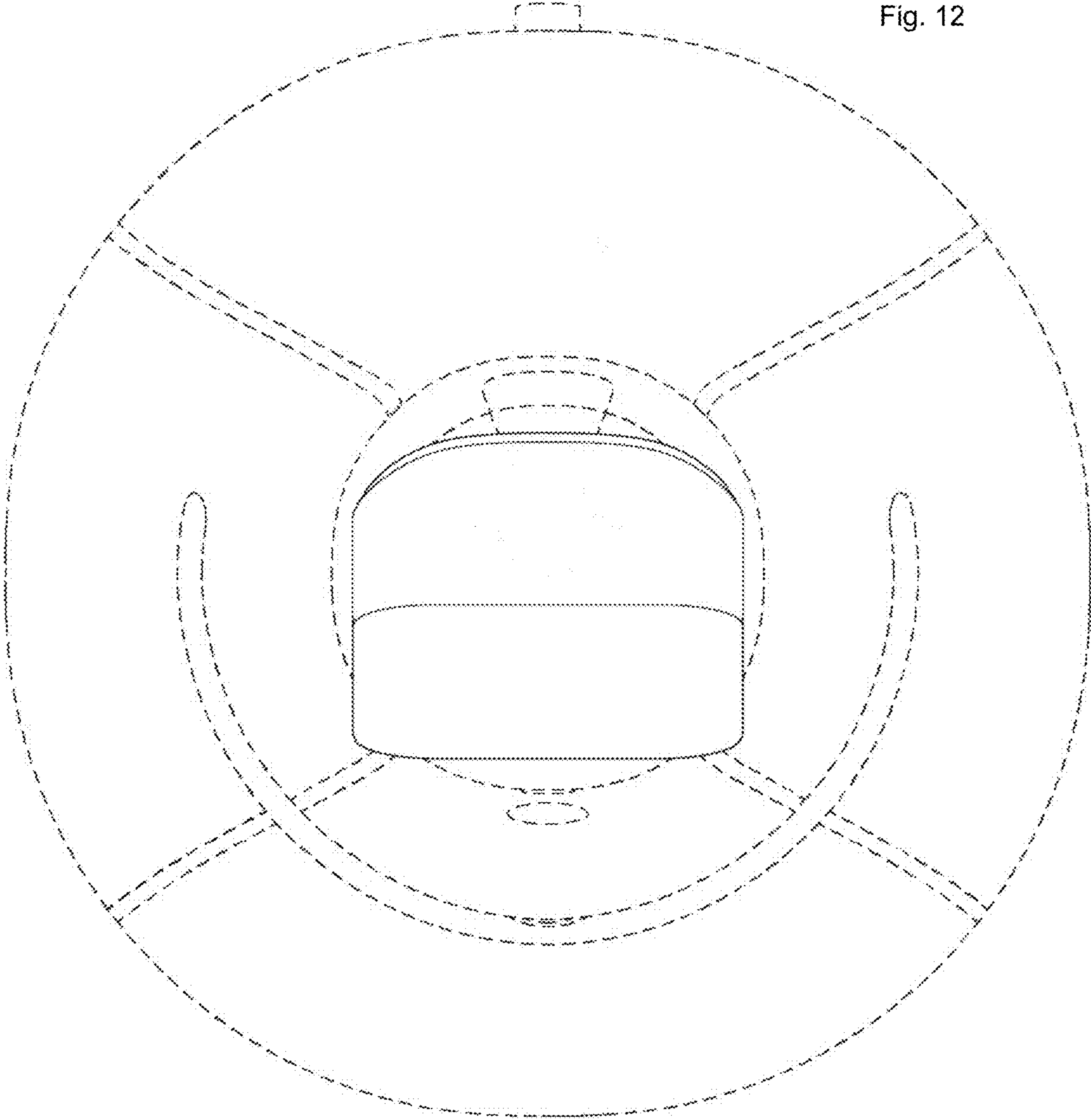
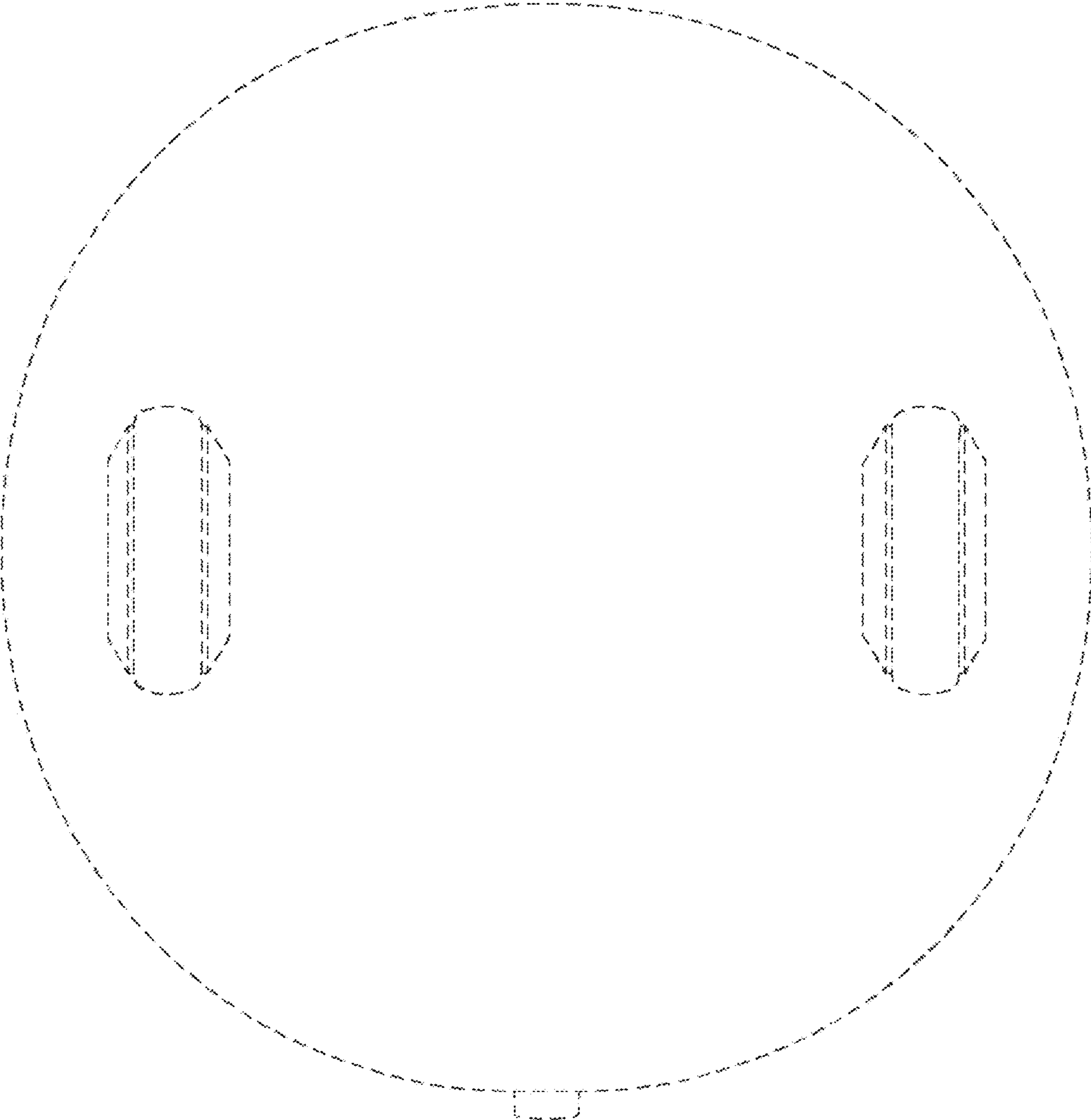


Fig. 13



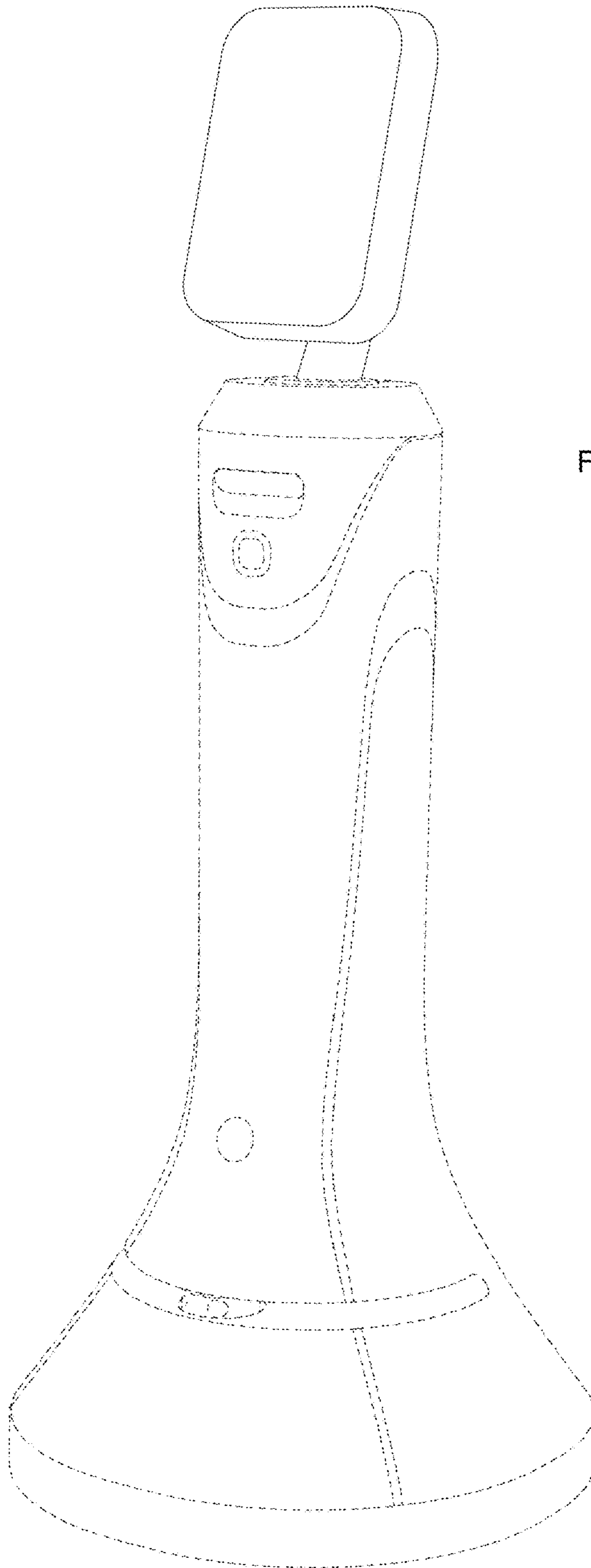


Fig. 14