



US00D930724S

(12) **United States Design Patent**
Zhou

(10) **Patent No.:** **US D930,724 S**

(45) **Date of Patent:** **** Sep. 14, 2021**

(54) **LAMINATOR**

(71) Applicant: **GuangDong Geng Shun Technology Co., Ltd.**, Huizhou (CN)

(72) Inventor: **Xiao Feng Zhou**, Huizhou (CN)

(**) Term: **15 Years**

(21) Appl. No.: **29/735,992**

(22) Filed: **May 27, 2020**

(51) **LOC (13) Cl.** **15-99**

(52) **U.S. Cl.**
USPC **D15/146**

(58) **Field of Classification Search**
USPC D7/609, 629; D15/145, 146; D18/50,
D18/51, 53
CPC B23C 63/0065; B23C 63/0091; B32B
37/1018
See application file for complete search history.

(56) **References Cited**

U.S. PATENT DOCUMENTS

D222,759 S	*	12/1971	Freeman	D15/146
D244,759 S	*	6/1977	Kindred	D15/146
D248,399 S	*	7/1978	Dobson	D15/146
D249,526 S	*	9/1978	Kishida	D15/146
D358,826 S	*	5/1995	Kuhns	D15/146
D442,980 S	*	5/2001	Johnson	D15/146
D515,601 S	*	2/2006	Sholzberg	D15/146
D633,118 S	*	2/2011	Beatty	D15/146
D658,694 S	*	5/2012	Day	D15/146
D686,649 S	*	7/2013	Zhou	D15/146
D694,794 S	*	12/2013	Cumming	D15/146

D854,065 S	*	7/2019	Owens	D15/146
D854,594 S	*	7/2019	Carey	D15/146
D871,470 S	*	12/2019	Xu	D15/146
D902,271 S	*	11/2020	Chen	D15/145
D905,142 S	*	12/2020	Zhou	D15/146
D905,772 S	*	12/2020	Li	D15/146
D910,100 S	*	2/2021	Qiu	D15/146
D912,710 S	*	3/2021	Choi	D15/146
D912,711 S	*	3/2021	Choi	D15/146

* cited by examiner

Primary Examiner — Michael C Stout

Assistant Examiner — Fritzgerald L Butac

(74) *Attorney, Agent, or Firm* — Rumit Ranjit Kanakia

(57) **CLAIM**

I claim the ornamental design for a laminator, as shown and described.

DESCRIPTION

FIG. 1 is a Perspective view of a laminator showing my new design;

FIG. 2 is a Front view thereof;

FIG. 3 is a Back view thereof;

FIG. 4 is a Right-side view thereof;

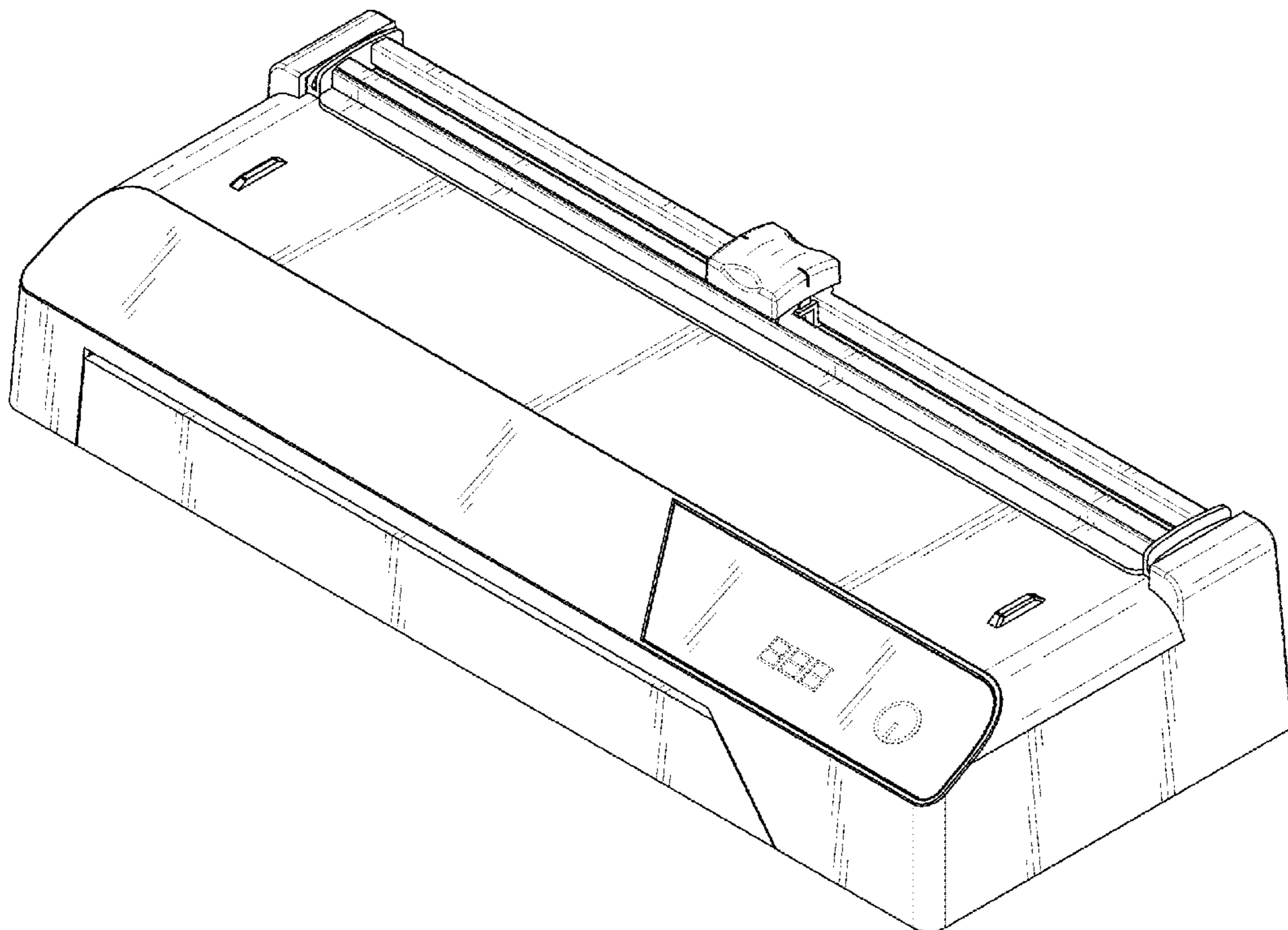
FIG. 5 is a Left-side view thereof;

FIG. 6 is a Top view thereof; and,

FIG. 7 is a Bottom view thereof.

The broken lines show portions of a laminator that form no part of the claimed design.

1 Claim, 7 Drawing Sheets



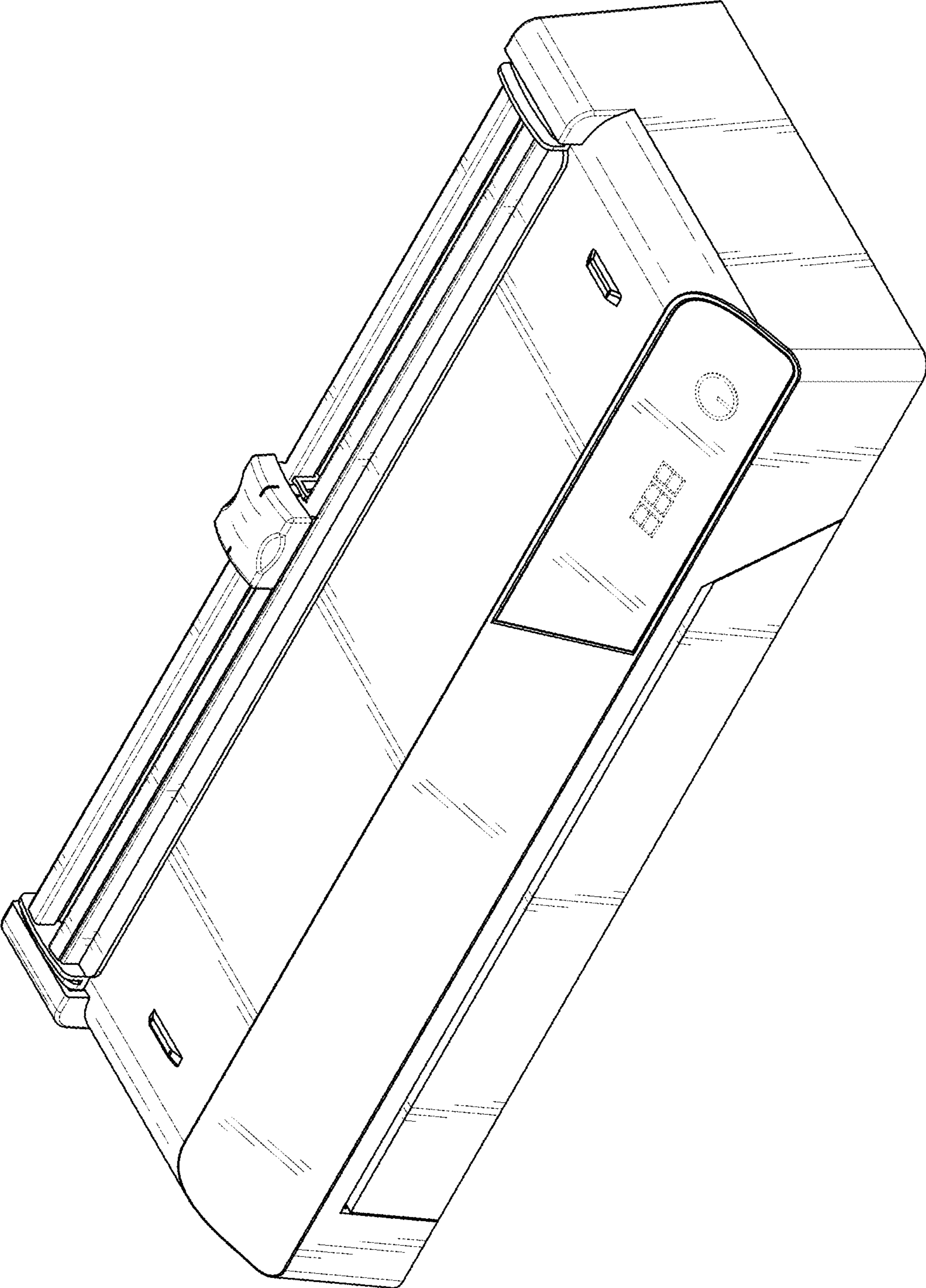


FIG. 1

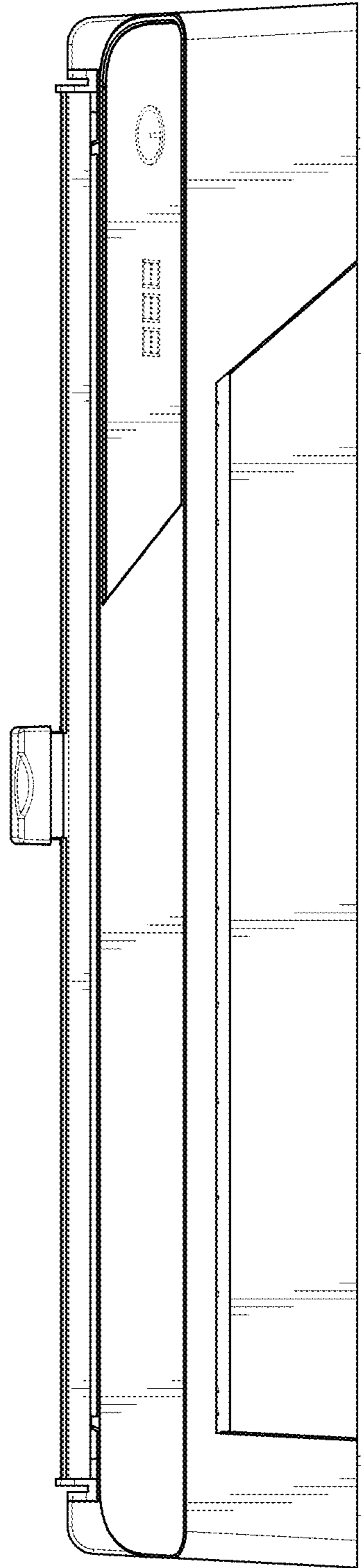


FIG. 2

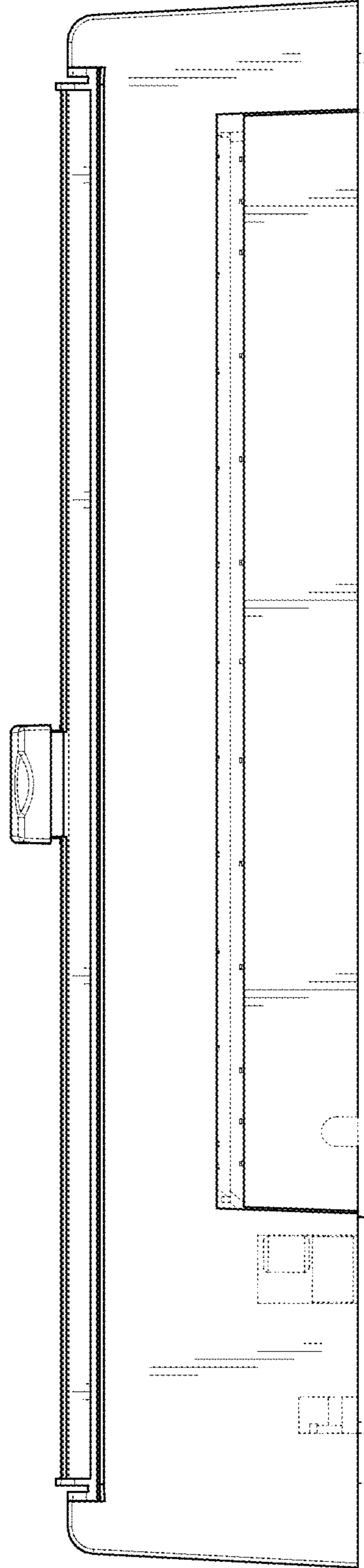


FIG. 3

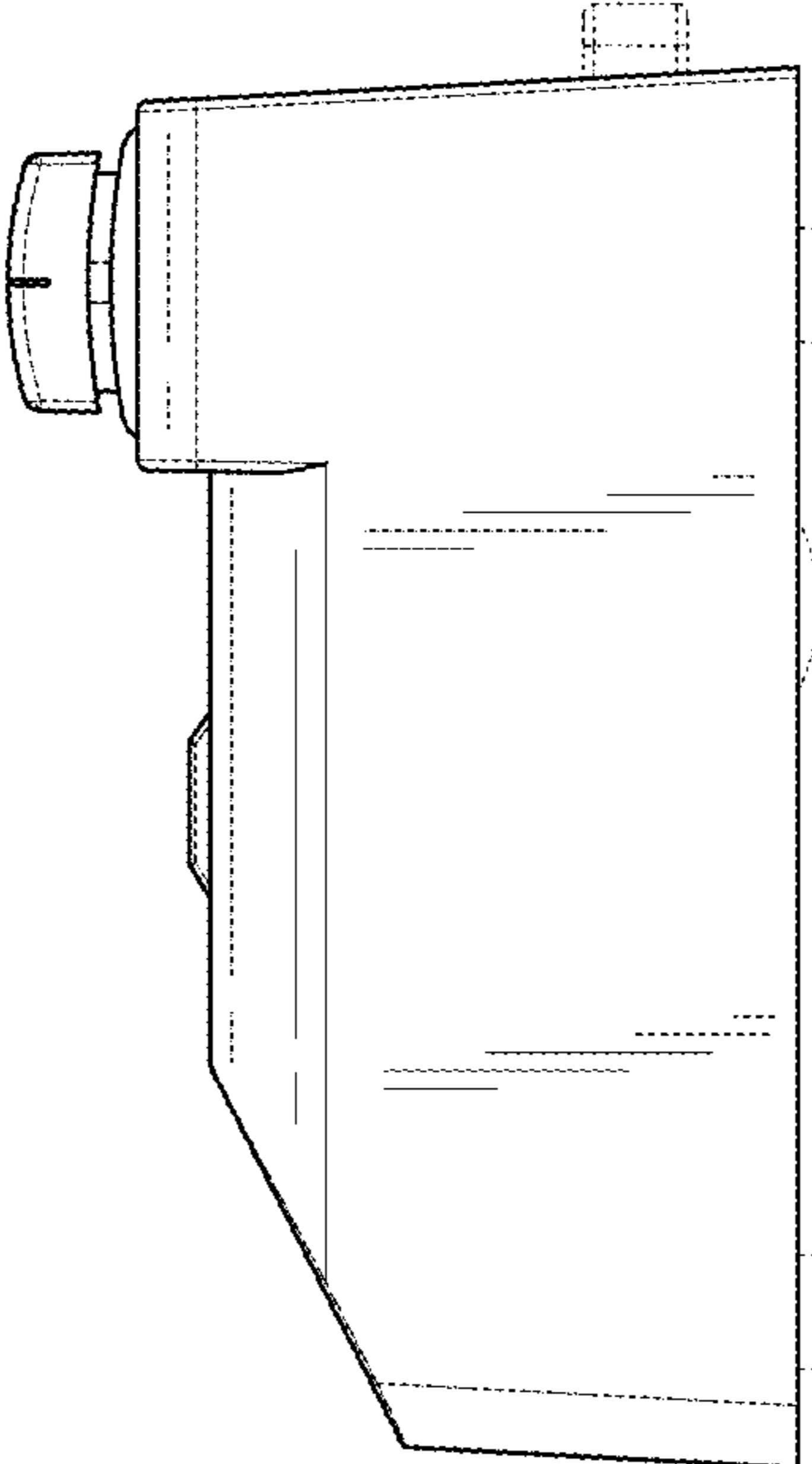


FIG. 4

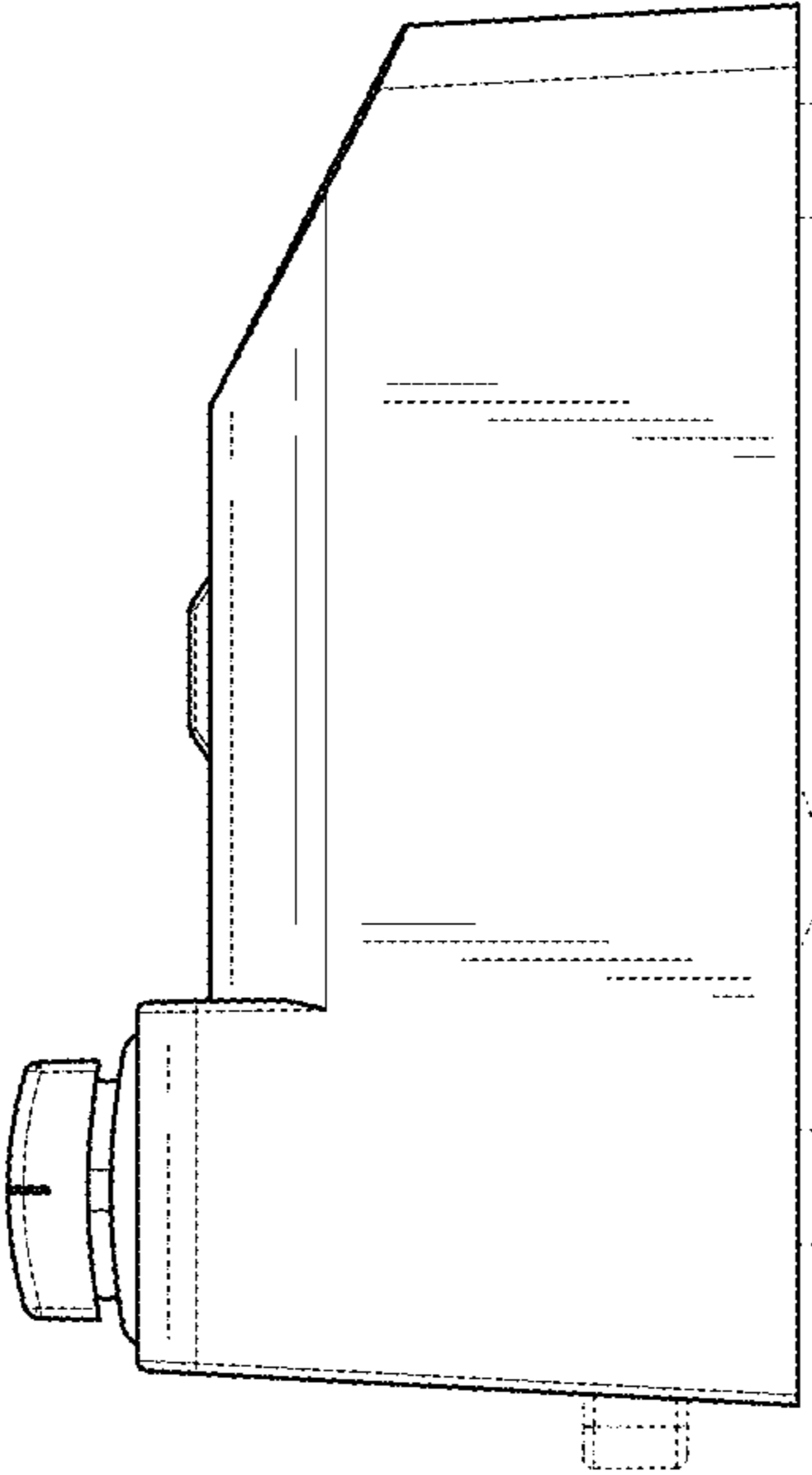


FIG. 5

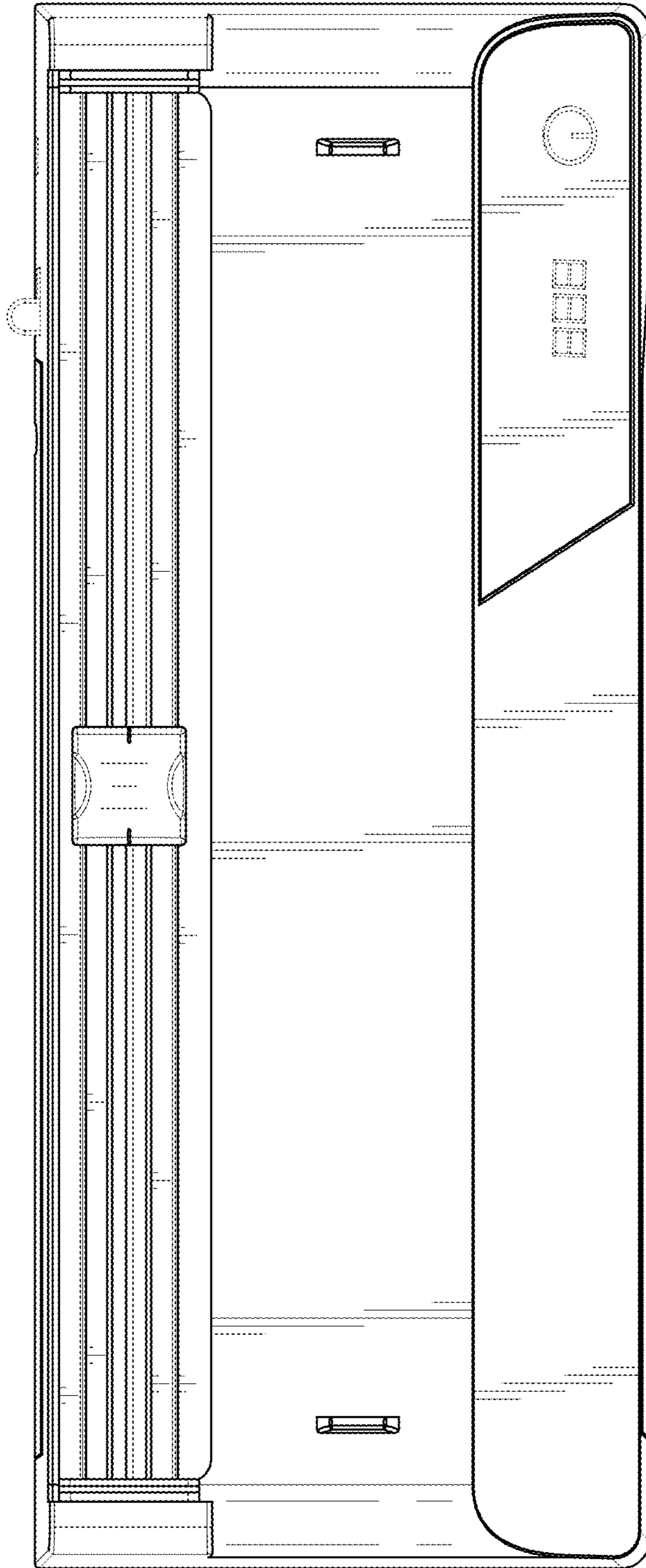


FIG. 6

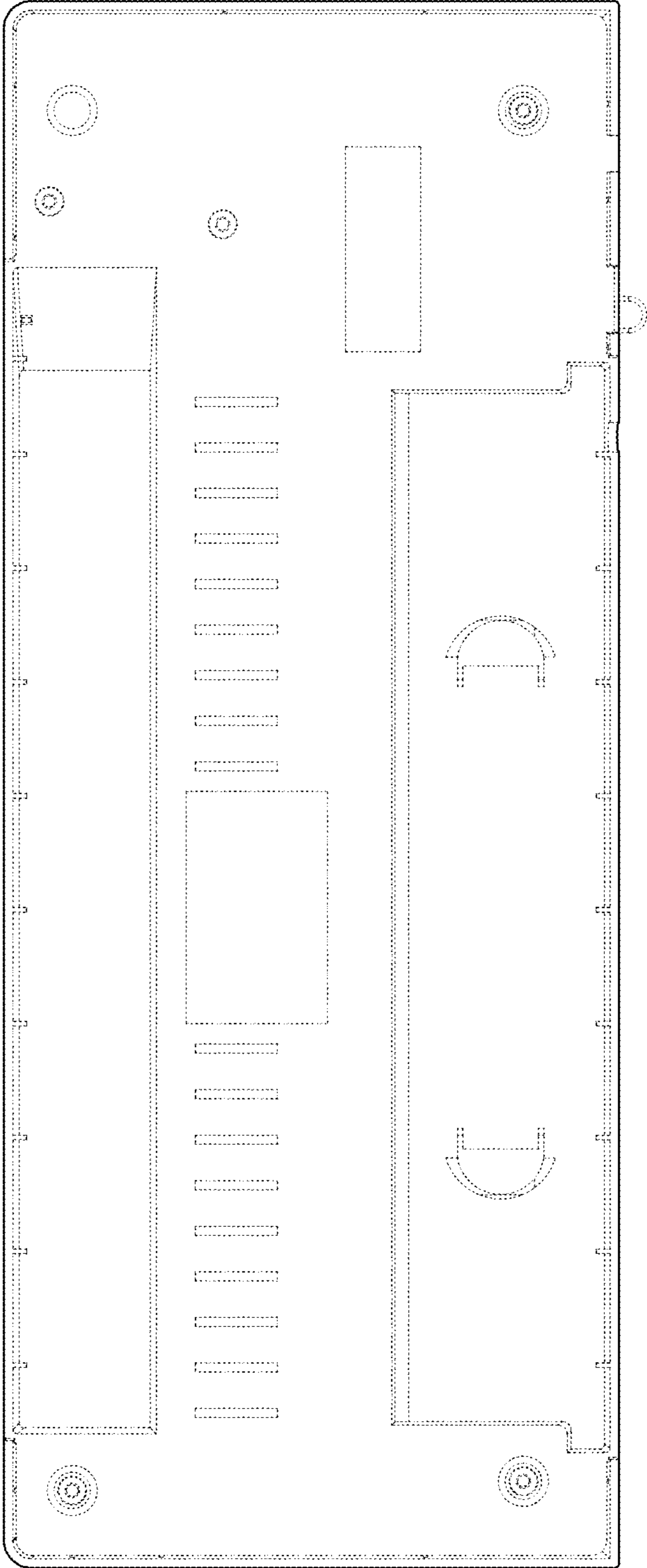


FIG. 7