



US00D930723S

(12) **United States Design Patent** (10) **Patent No.:** **US D930,723 S**
Shin et al. (45) **Date of Patent:** **** Sep. 14, 2021**

(54) **GROOVING BLADE FOR MACHINE TOOL**

8,696,262 B2 * 4/2014 Hecht B23B 27/045
407/113

(71) Applicant: **Korloy Inc.**, Seoul (KR)

9,050,658 B2 * 6/2015 Hecht B23B 27/045

(72) Inventors: **Sung Guen Shin**, Cheongju-si (KR);
Byung Hoon Min, Cheongju-si (KR);
Young Heum Kim, Cheongju-si (KR)

9,180,523 B2 * 11/2015 Gustavsson B23B 29/043

9,242,300 B2 * 1/2016 Kaufmann B23B 27/1666

9,403,214 B2 * 8/2016 Hecht B23B 29/14

9,475,122 B2 * 10/2016 Andersson B23B 27/08

D798,924 S * 10/2017 Min D15/140

D805,565 S * 12/2017 Min D15/139

D824,438 S * 7/2018 Min D15/139

D836,143 S * 12/2018 Weinberg D15/139

D837,847 S * 1/2019 Min D15/139

D905,141 S * 12/2020 Min D15/139

2020/0324344 A1 * 10/2020 Thelin B23B 29/022

(**) Term: **15 Years**

(21) Appl. No.: **35/509,612**

(22) Filed: **Jun. 24, 2019**

(80) **Hague Agreement Data**

Int. Filing Date: **Jun. 24, 2019**

Int. Reg. No.: **DM/208698**

Int. Reg. Date: **Jun. 24, 2019**

Int. Reg. Pub. Date: **Jun. 19, 2020**

* cited by examiner

Primary Examiner — Richard E Chilcot

(74) *Attorney, Agent, or Firm* — Rabin & Berdo, P.C.

(30) **Foreign Application Priority Data**

Feb. 26, 2019 (KR) 30-2019-0008602

(51) **LOC (13) Cl.** **15-09**

(52) **U.S. Cl.**

USPC **D15/140**

CPC **B23B 29/043** (2013.01)

(58) **Field of Classification Search**

USPC D15/139–141; D8/7, 81

CPC B23B 29/043; B23B 29/022

See application file for complete search history.

(56) **References Cited**

U.S. PATENT DOCUMENTS

5,743,680 A * 4/1998 Von Haas B23B 27/04
407/110

7,887,267 B2 * 2/2011 Niemi B23B 27/045
407/114

(57) **CLAIM**

The ornamental design for a grooving blade for machine tool, as shown and described.

DESCRIPTION

1. Grooving blade for machine tool

1.1 : Perspective

1.2 : Front

1.3 : Back

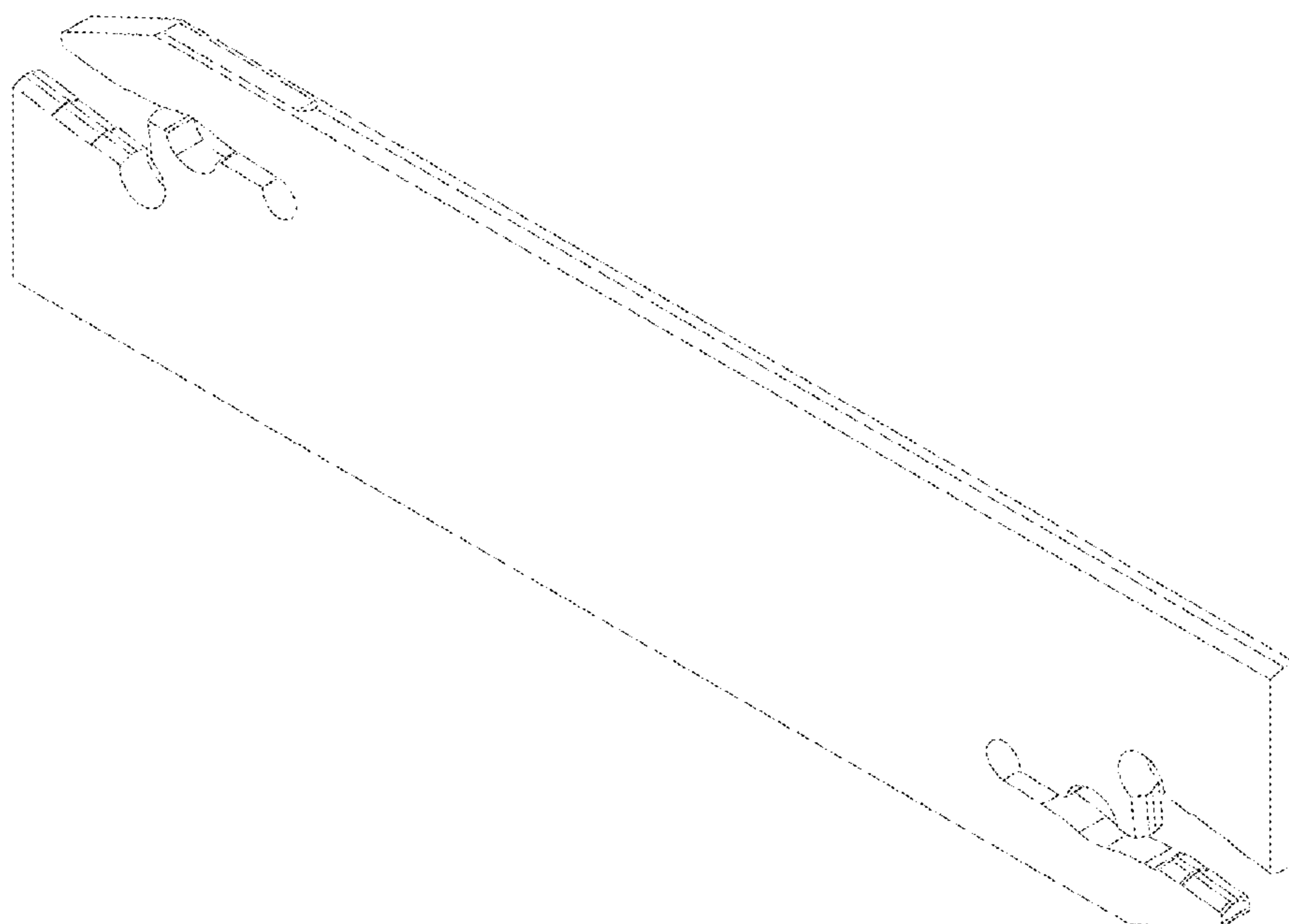
1.4 : Top

1.5 : Bottom

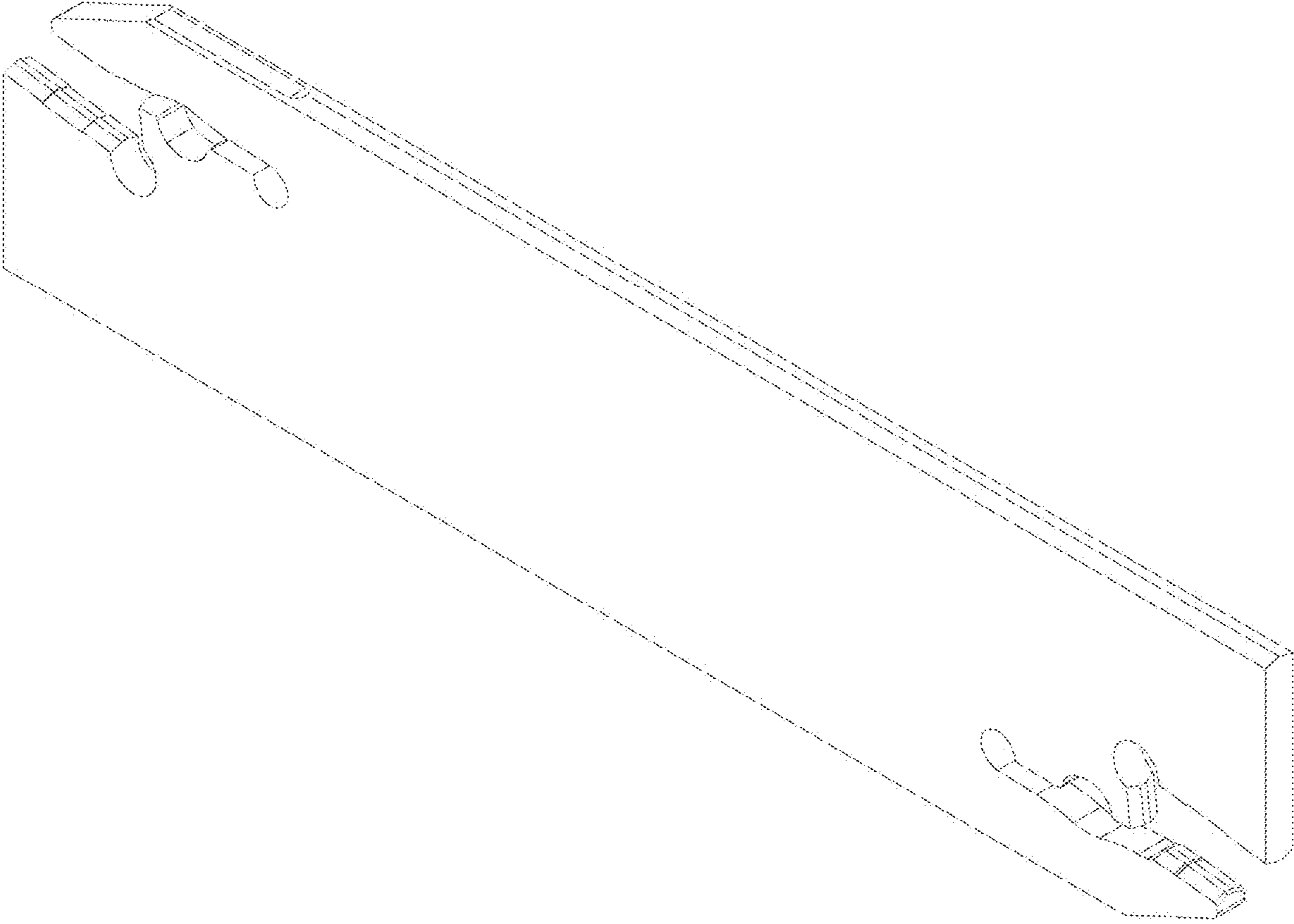
1.6 : Left

1.7 : Right

1 Claim, 7 Drawing Sheets



1.1



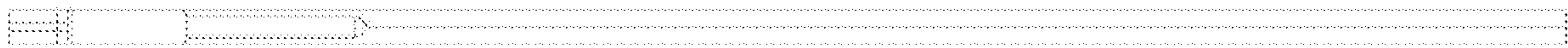
1.2



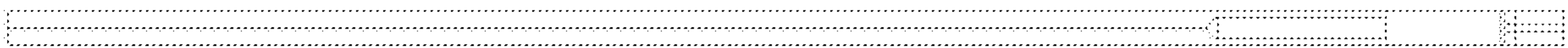
1.3



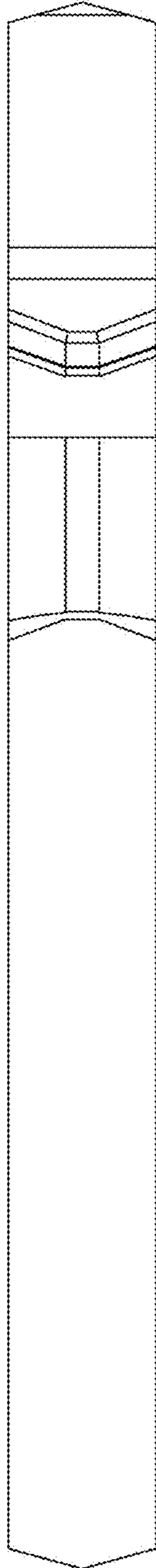
1.4



1.5



1.6



1.7

