



US00D930721S

(12) **United States Design Patent**
Kremerman

(10) **Patent No.:** **US D930,721 S**
(45) **Date of Patent:** **** Sep. 14, 2021**

- (54) **CIRCULAR SPINNER**
- (71) Applicant: **Elliot Kremerman**, Los Gatos, CA (US)
- (72) Inventor: **Elliot Kremerman**, Los Gatos, CA (US)
- (**) Term: **15 Years**
- (21) Appl. No.: **29/773,944**
- (22) Filed: **Mar. 12, 2021**

Related U.S. Application Data

- (63) Continuation-in-part of application No. 17/101,120, filed on Nov. 23, 2020, now Pat. No. 11,084,009.
- (51) **LOC (13) Cl.** **15-09**
- (52) **U.S. Cl.**
USPC **D15/138**
- (58) **Field of Classification Search**
USPC D13/183; D15/122, 138, 147, 199;
D24/216, 220
CPC B01L 9/00; B01F 13/08; B01F 15/065
See application file for complete search history.

(56) **References Cited**

U.S. PATENT DOCUMENTS

- 2,459,224 A * 1/1949 Hendricks A47J 43/0465
366/274
- 2,518,758 A * 8/1950 Cook B01F 13/0818
366/274
- 2,619,606 A * 11/1952 Morrison, Jr. H02K 49/00
310/103
- 2,842,654 A * 7/1958 Anderson B01L 7/00
219/433
- 2,951,689 A * 9/1960 Asp B01F 13/0818
416/3
- 3,028,476 A * 4/1962 Hug H02K 49/108
219/443.1

- 3,138,370 A * 6/1964 Anderson B01F 13/0818
366/274
- 3,140,079 A * 7/1964 Baermann A47J 43/0465
366/274
- 3,168,294 A * 2/1965 Tadashi B01F 13/0827
366/206
- 3,211,433 A * 10/1965 Chrostowski B01F 13/0818
366/274
- 3,384,353 A * 5/1968 Worth B01F 13/0818
366/274
- 3,433,465 A * 3/1969 Szpur B01F 13/0818
366/149
- 3,554,497 A * 1/1971 Zipperer B01F 13/0818
366/110
- 3,570,819 A * 3/1971 Rosinger B01F 15/00915
366/274
- 4,162,855 A * 7/1979 Bender A47J 43/0465
366/274
- 4,199,265 A * 4/1980 Sanderson B01F 13/0818
366/274

(Continued)

Primary Examiner — Patricia A Palasik
(74) *Attorney, Agent, or Firm* — Michael J. Feigin, Esq.;
Feigin and Fridman LLC

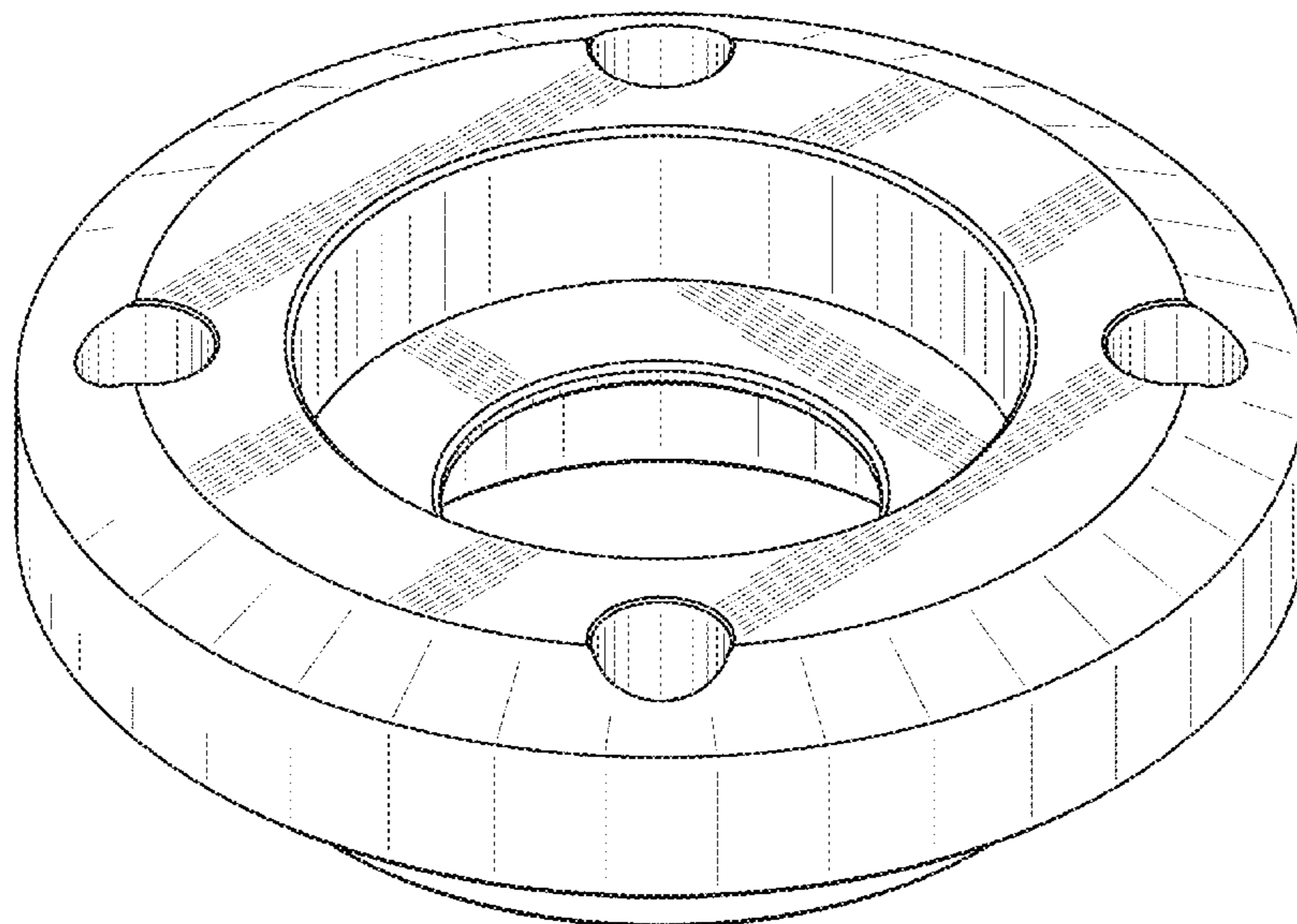
(57) **CLAIM**

The ornamental design for a circular spinner, as shown and described.

DESCRIPTION

FIG. 1 shows a top and side perspective view of a circular spinner.
FIG. 2 shows a reverse bottom and reverse side perspective view thereof.
FIG. 3 shows a side elevation view thereof.
FIG. 4 shows a reverse side elevation view thereof.
FIG. 5 shows a top plan view thereof.
FIG. 6 shows a bottom plan view thereof; and,
FIG. 7 shows a side cutaway view thereof cut along section line 7-7 of FIG. 5.

1 Claim, 5 Drawing Sheets



(56)

References Cited

U.S. PATENT DOCUMENTS

| | | | | | | | | | | | |
|----------------|--------|-------------|-------|--------------|-----------|-------------------|---------|-----------------|-------|--------------|---------|
| 4,568,195 A * | 2/1986 | Herz | | B01F 13/0818 | 366/274 | 6,905,656 B1 * | 6/2005 | Ladlow | | B01F 13/0818 | 366/273 |
| 4,759,635 A * | 7/1988 | MacMichael | | B01F 13/0818 | 366/247 | 7,086,778 B2 * | 8/2006 | Terentiev | | B01F 7/00908 | 366/273 |
| 4,911,555 A * | 3/1990 | Saffer | | B01F 13/0818 | 366/274 | D558,888 S * | 1/2008 | Ware | | D24/216 | |
| 4,948,409 A * | 8/1990 | Chenoweth | | C03B 37/045 | 425/8 | D812,109 S | 3/2018 | Cross et al. | | | |
| 4,993,841 A * | 2/1991 | Lofgren | | B01F 13/0827 | 366/274 | D821,863 S | 7/2018 | Blanco | | | |
| 5,529,391 A * | 6/1996 | Kindman | | B01F 13/0818 | 366/145 | D831,846 S * | 10/2018 | Fu | | D24/232 | |
| D426,312 S * | 6/2000 | Gomes | | D24/220 | | D874,916 S | 2/2020 | Wigboldy et al. | | | |
| 6,416,215 B1 * | 7/2002 | Terentiev | | F16C 32/0438 | 366/273 | D881,998 S * | 4/2020 | Lam | | D21/455 | |
| 6,793,167 B2 * | 9/2004 | Karkos, Jr. | | A23G 9/045 | 241/101.2 | 2008/0013400 A1 * | 1/2008 | Andrews | | B01F 13/0818 | 366/147 |
| | | | | | | 2013/0114370 A1 * | 5/2013 | Ma | | B01F 13/0818 | 366/272 |
| | | | | | | 2015/0367302 A1 * | 12/2015 | Gebauer | | B01F 13/089 | 366/274 |
| | | | | | | 2019/0246724 A1 * | 8/2019 | Adams | | A44B 1/04 | |
| | | | | | | 2021/0071671 A1 * | 3/2021 | Kremerman | | H02K 49/104 | |
| | | | | | | 2021/0190074 A1 * | 6/2021 | Kremerman | | F04D 13/0613 | |

* cited by examiner

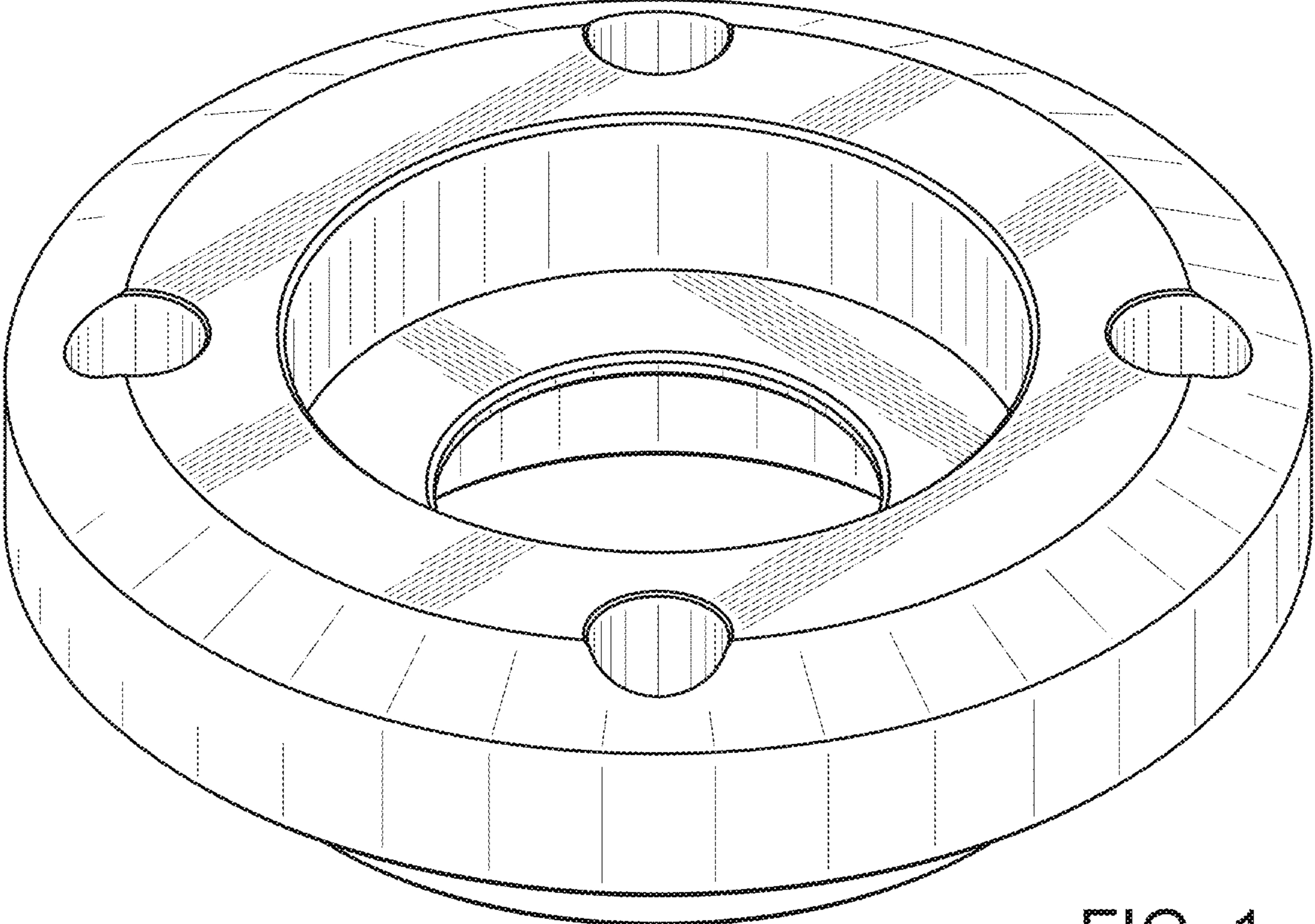


FIG. 1

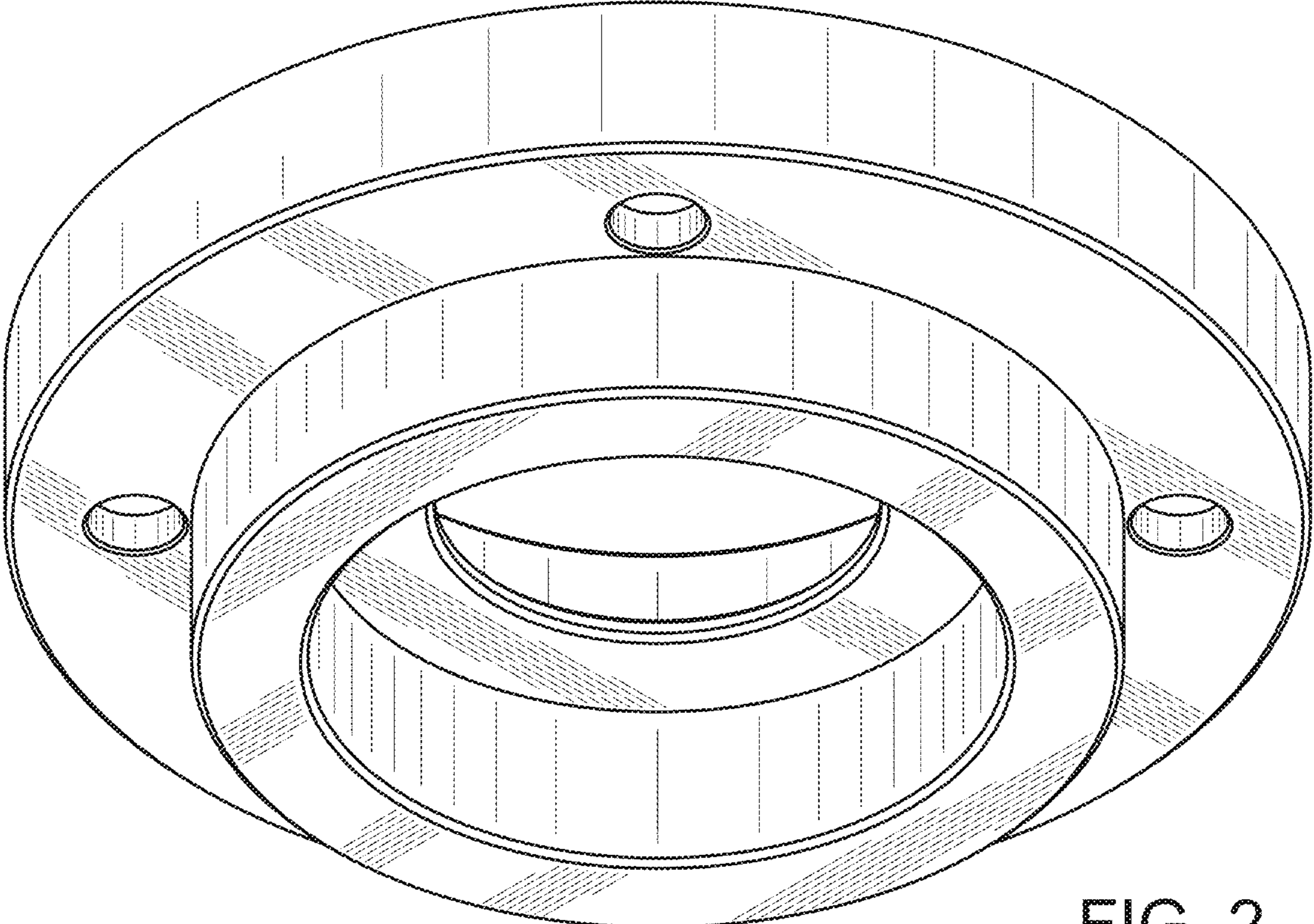


FIG. 2

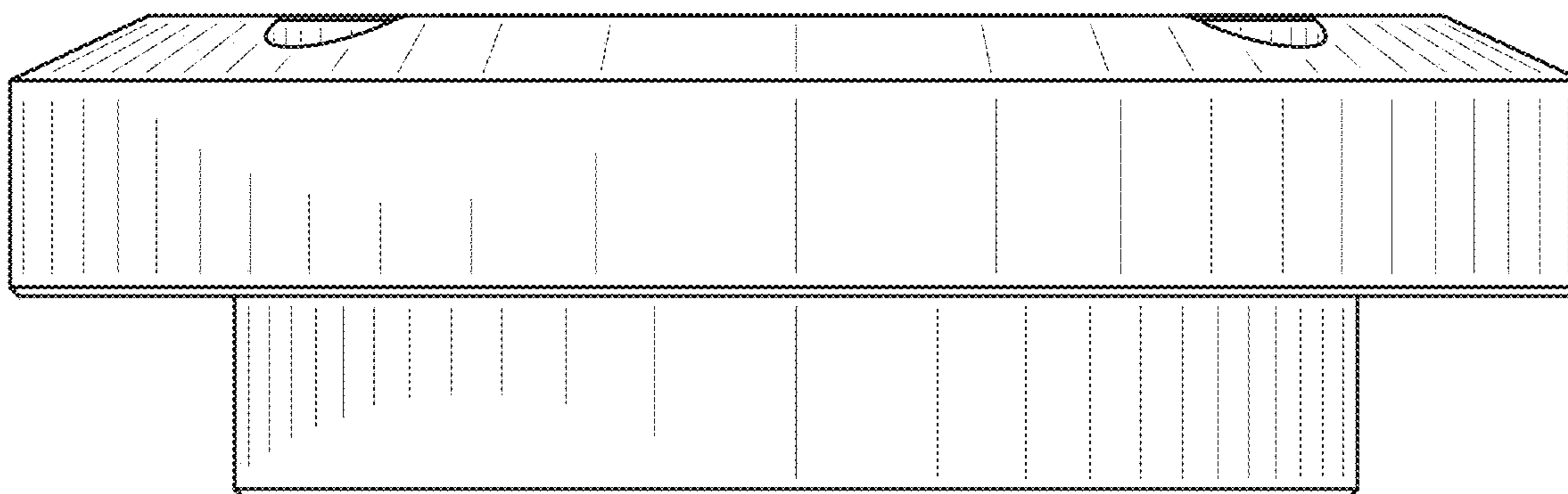


FIG. 3

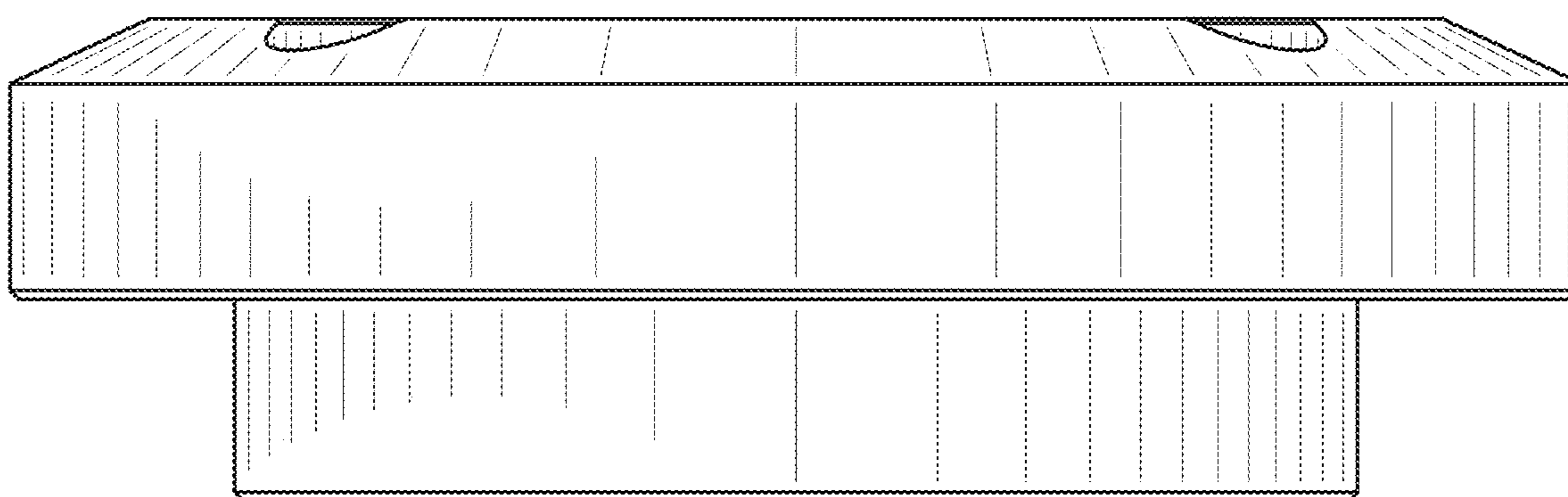


FIG. 4

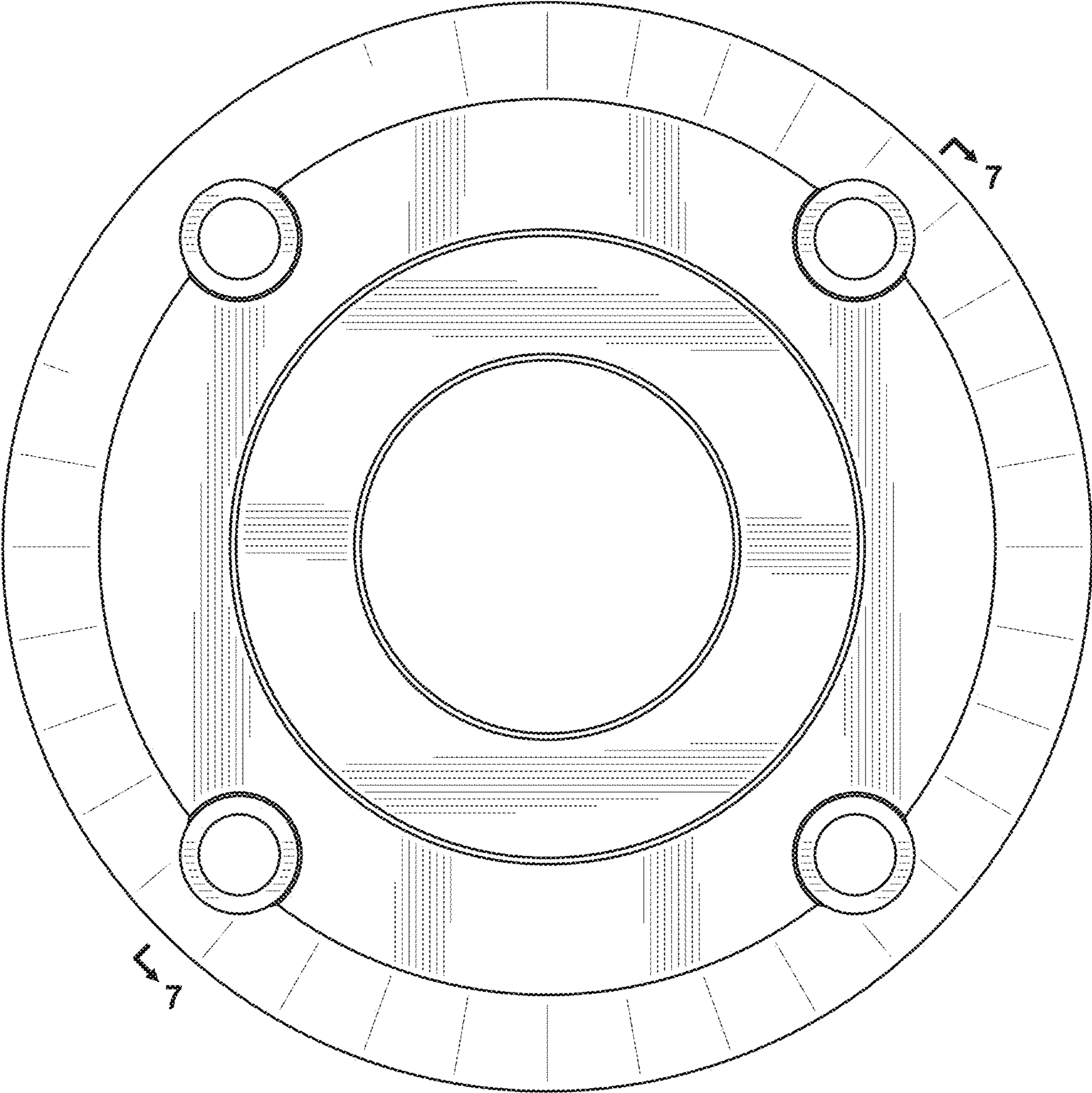


FIG. 5

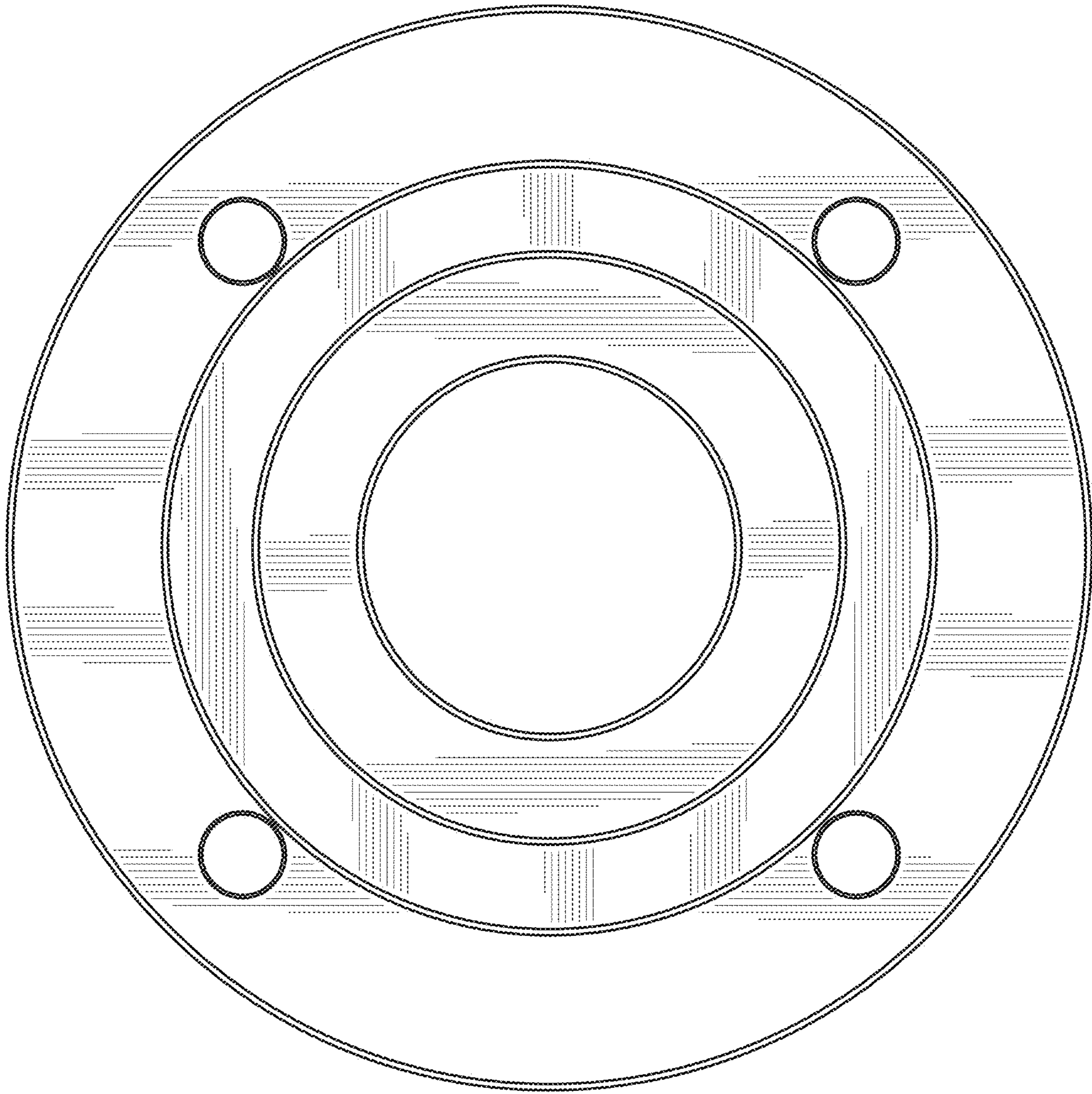


FIG. 6

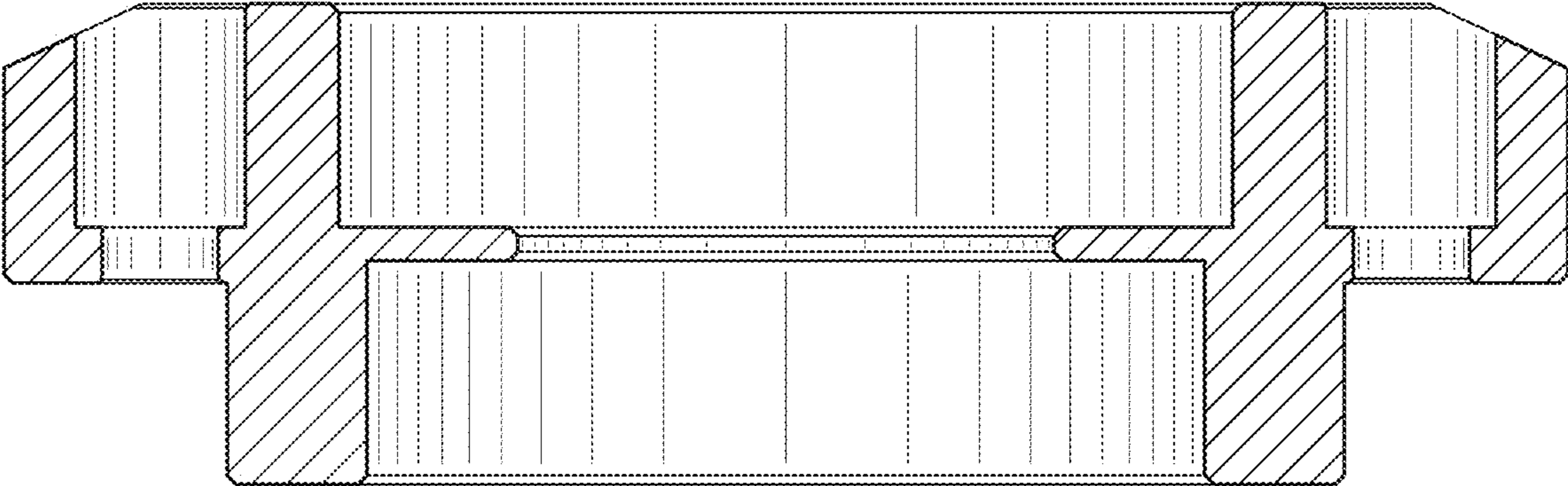


FIG. 7