



US00D930720S

(12) **United States Design Patent**
Stong

(10) **Patent No.:** **US D930,720 S**

(45) **Date of Patent:** **** Sep. 14, 2021**

(54) **CLAMP DEVICE FOR A PRESS**

FOREIGN PATENT DOCUMENTS

(71) Applicant: **James Stong**, Royersford, PA (US)

CN 2018-A1409 C * 12/2018
WO WO-2017199239 A1 * 11/2017 B25J 15/10

(72) Inventor: **James Stong**, Royersford, PA (US)

* cited by examiner

(**) Term: **15 Years**

Primary Examiner — Ian Simmons

Assistant Examiner — Fritzgerald L Butac

(21) Appl. No.: **29/707,986**

(74) *Attorney, Agent, or Firm* — Boudwin Intellectual Property; Daniel Boudwin

(22) Filed: **Oct. 2, 2019**

(51) **LOC (13) Cl.** **15-09**

(52) **U.S. Cl.**
USPC **D15/138**

(58) **Field of Classification Search**
USPC D15/122, 123, 127, 129, 130, 138, 139,
D15/140; D3/315; D13/182

CPC B25J 11/0095; B25J 15/0028; B25J
15/0052; H01L 21/6838; H01L 21/68742

See application file for complete search history.

(57) **CLAIM**

The ornamental design for a clamp device for a press, as shown and described.

DESCRIPTION

FIG. 1 shows a perspective view of a clamp device for a press.

FIG. 2 shows a top plan view of the clamp device for a press.

FIG. 3 shows a bottom plan view of the clamp device for a press.

FIG. 4 shows a right side elevation view of the clamp device for a press.

FIG. 5 shows a left side elevation view of the clamp device for a press.

FIG. 6 shows a front elevation view of the clamp device for a press; and,

FIG. 7 shows a rear elevation view of the clamp device for a press.

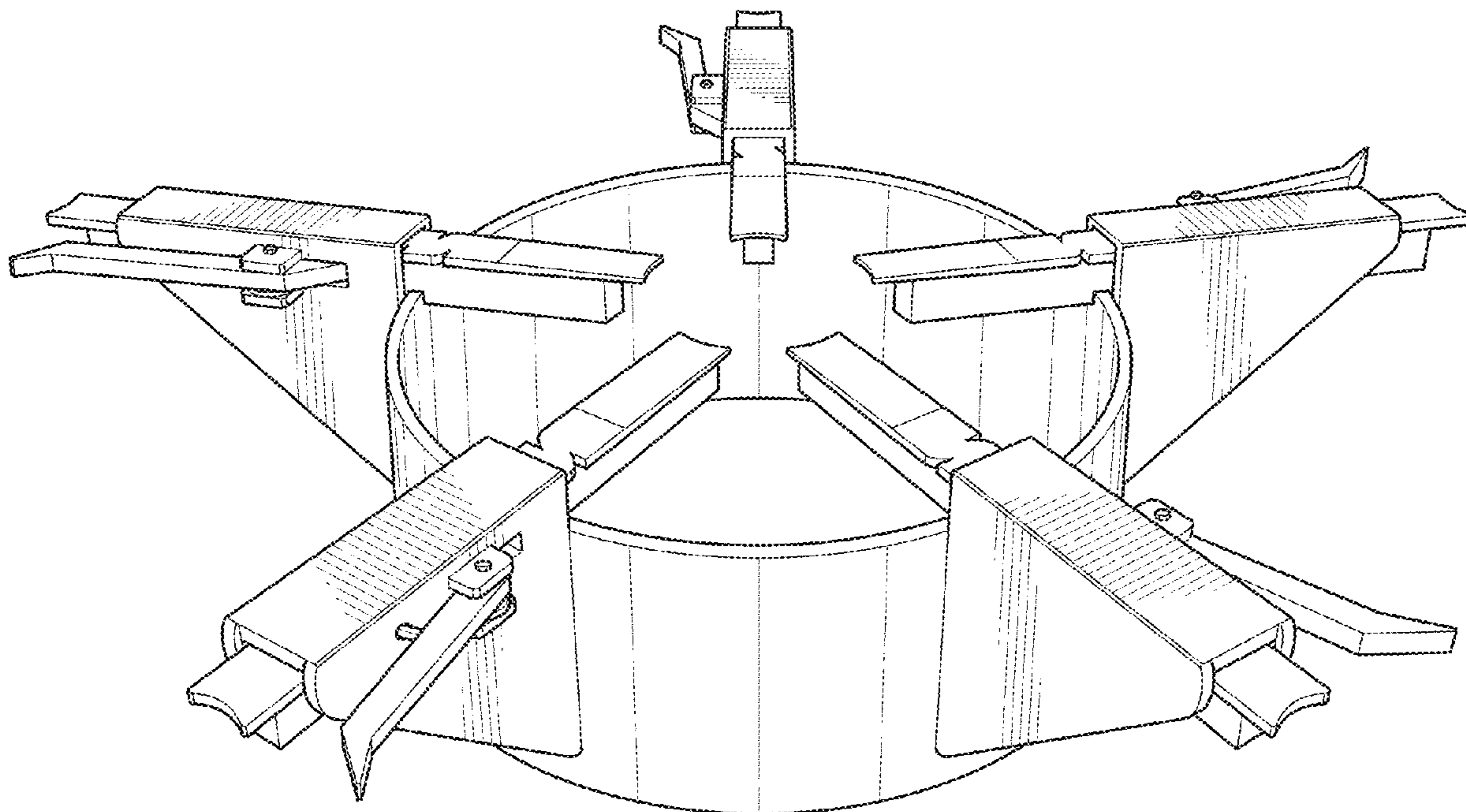
The broken lines show portions of a clamp device for a press which form no part of the claimed design.

(56) **References Cited**

U.S. PATENT DOCUMENTS

| | | | | | | |
|--------------|----|---|---------|-----------------|-------|--------------|
| D114,443 | S | * | 4/1939 | Dowling | | D15/138 |
| 4,143,569 | A | | 3/1979 | Marconi | | |
| D336,305 | S | * | 6/1993 | Iadonisi | | D15/138 |
| 5,904,064 | A | | 5/1999 | Higuchi | | |
| 5,921,534 | A | | 7/1999 | Swann et al. | | |
| 6,764,218 | B2 | | 7/2004 | Kanamaru et al. | | |
| D648,762 | S | * | 11/2011 | Mack | | D15/140 |
| D664,166 | S | * | 7/2012 | Hall | | D15/138 |
| D803,283 | S | * | 11/2017 | Rashkovsky | | D15/138 |
| 10,046,463 | B1 | * | 8/2018 | Jones | | B25J 15/0028 |
| 2008/0295567 | A1 | | 12/2008 | Thielges et al. | | |
| 2019/0077028 | A1 | * | 3/2019 | Golan | | B25J 15/103 |

1 Claim, 5 Drawing Sheets



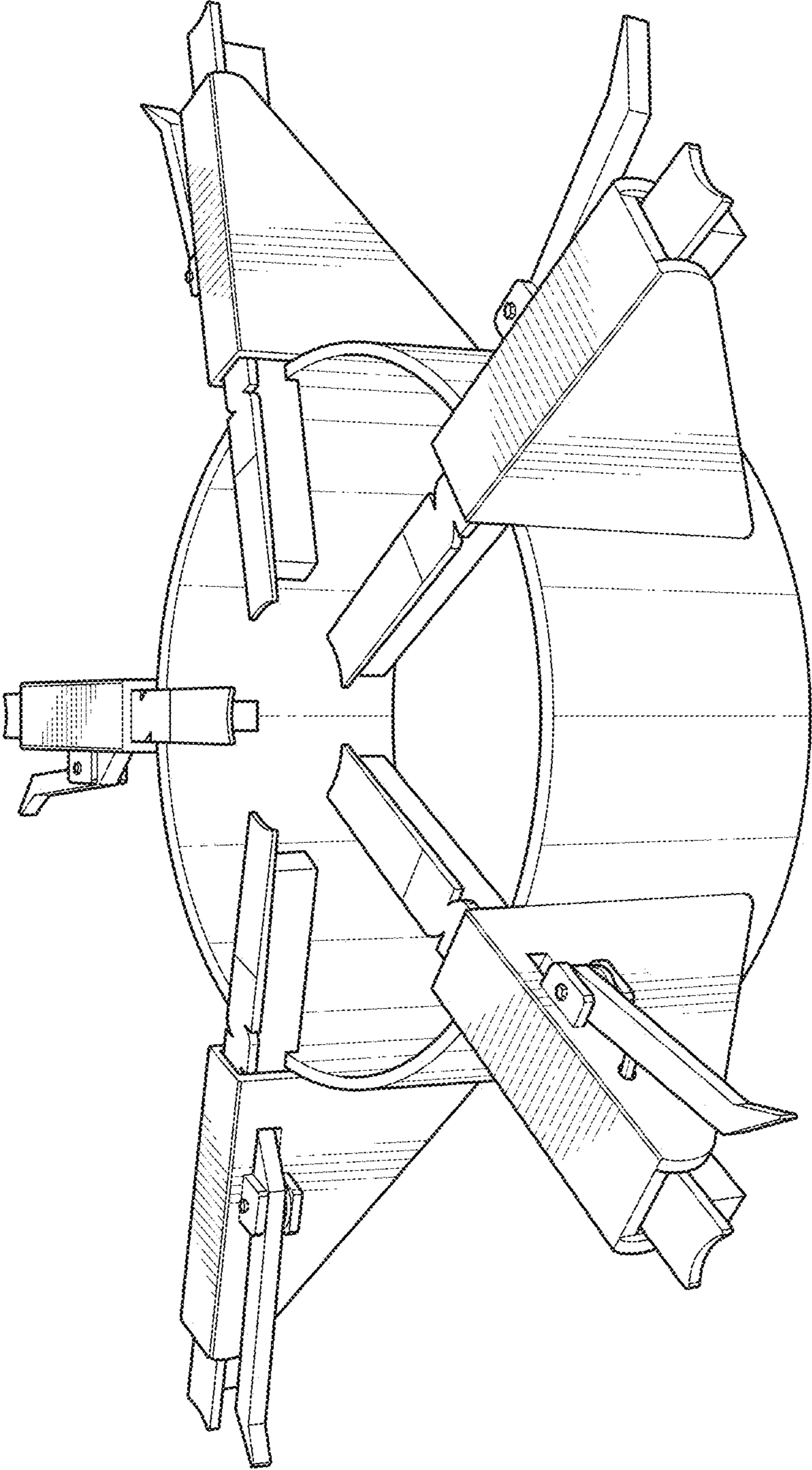


FIG. 1

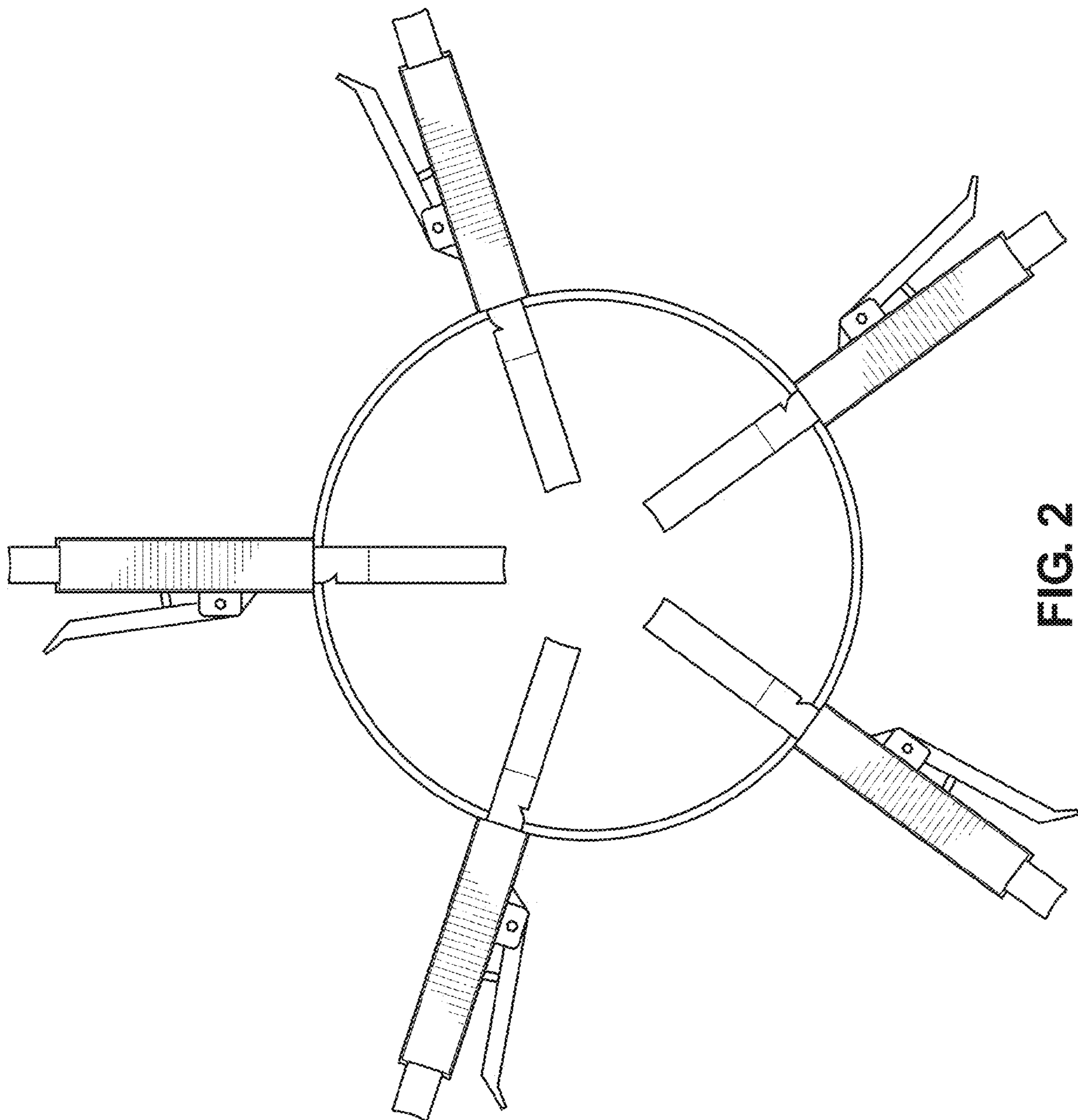


FIG. 2

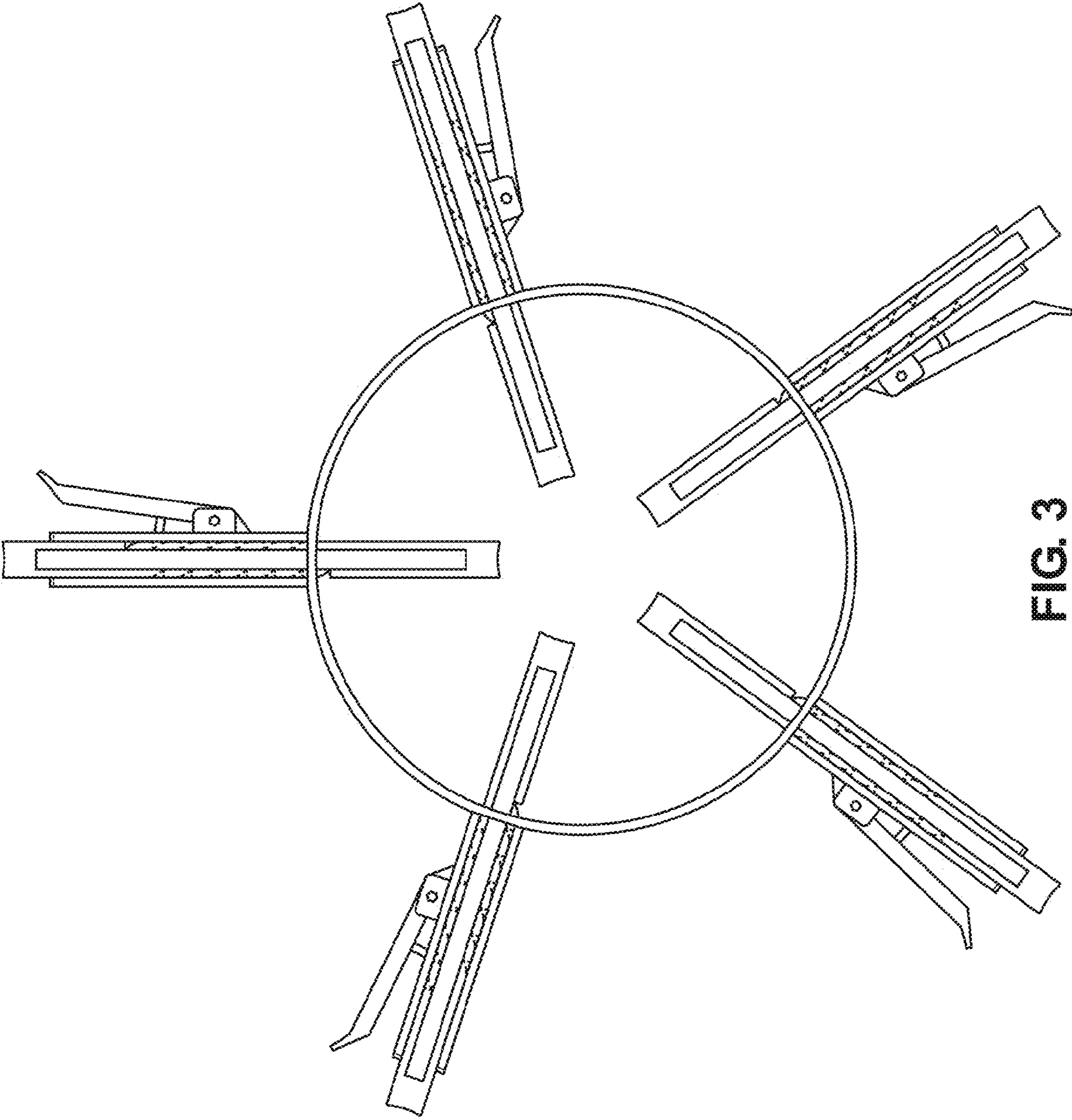


FIG. 3

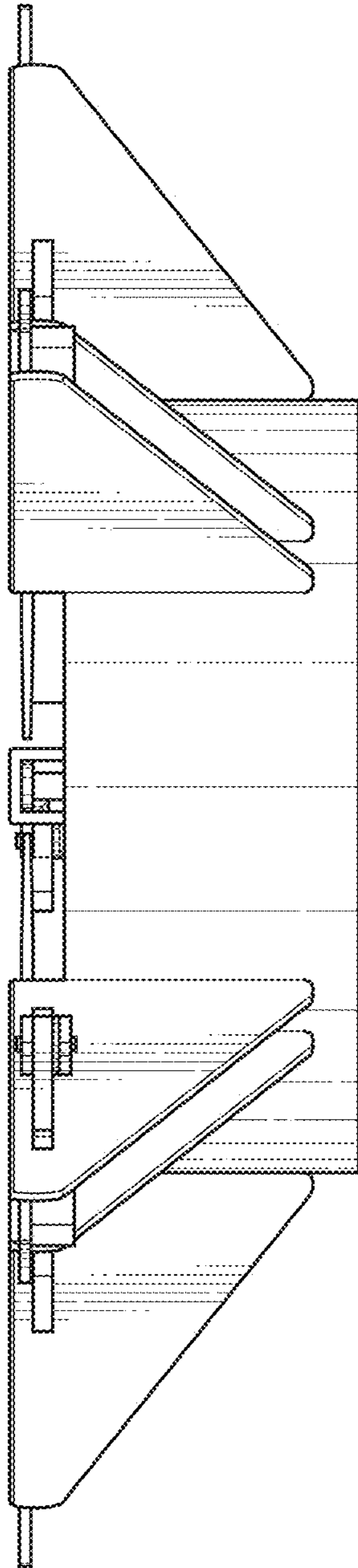


FIG. 4

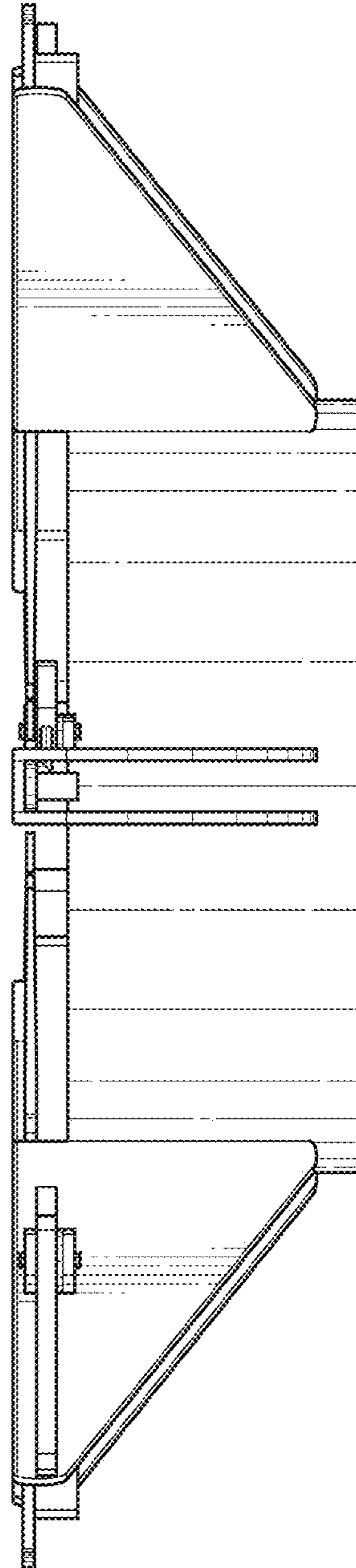


FIG. 5

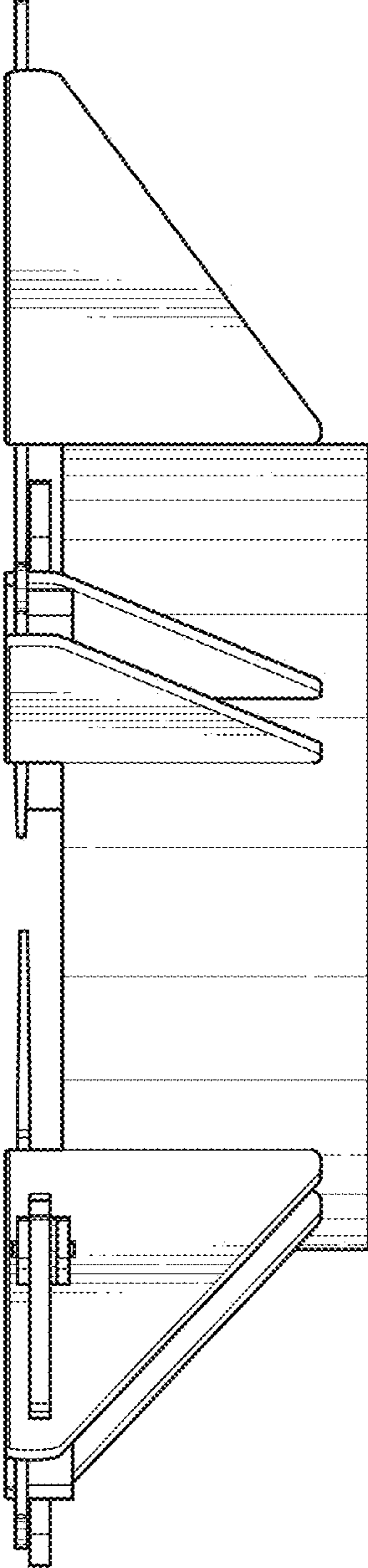


FIG. 6

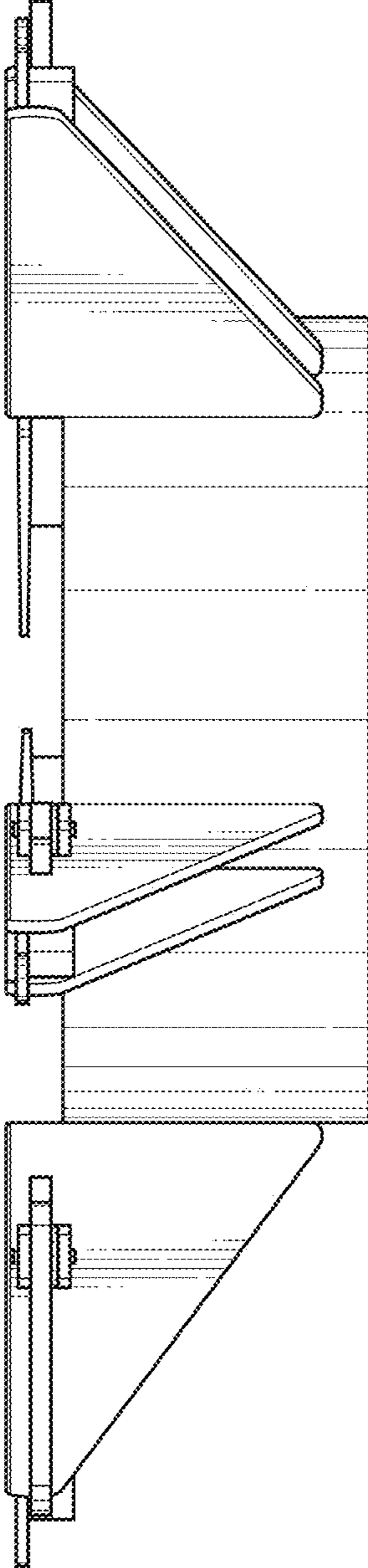


FIG. 7