



US00D930719S

(12) **United States Design Patent**  
**Shearer**

(10) **Patent No.:** **US D930,719 S**

(45) **Date of Patent:** **\*\* Sep. 14, 2021**

(54) **TOP BEVELLER**

(71) Applicant: **Joshua D. Shearer**, Hemet, CA (US)

(72) Inventor: **Joshua D. Shearer**, Hemet, CA (US)

(\*\*) Term: **15 Years**

(21) Appl. No.: **29/731,169**

(22) Filed: **Apr. 13, 2020**

(51) **LOC (13) Cl.** ..... **15-09**

(52) **U.S. Cl.**  
USPC ..... **D15/124**

(58) **Field of Classification Search**  
USPC ..... D15/122, 125, 129, 130, 131, 138, 141  
CPC ..... B23C 3/12; B27D 1/10  
See application file for complete search history.

(56) **References Cited**

U.S. PATENT DOCUMENTS

- 3,762,273 A \* 10/1973 Sprung ..... B23C 3/002  
409/138
- 4,567,802 A 2/1986 Witherspoon
- D295,140 S \* 4/1988 Fukuda ..... D8/61
- 4,988,245 A \* 1/1991 Fukuda ..... B23C 3/126  
409/178
- 5,372,536 A \* 12/1994 Bialek ..... B24B 9/14  
269/299
- 5,423,642 A \* 6/1995 Heck ..... B23C 3/12  
144/136.8
- D383,366 S \* 9/1997 Heck ..... D8/67
- 6,368,032 B1 4/2002 Chen
- 7,082,656 B1 8/2006 Duncan et al.

- 7,614,332 B2 11/2009 Pacione et al.
- 8,740,520 B2 6/2014 Jeon et al.
- 2002/0195093 A1 \* 12/2002 Han ..... B24B 9/00  
125/11.01
- 2005/0087052 A1 \* 4/2005 Pacione ..... A47G 27/0487  
83/508
- 2011/0088814 A1 \* 4/2011 Salovaara ..... B27D 1/10  
144/218

FOREIGN PATENT DOCUMENTS

CA 2436328 A1 \* 1/2005 ..... B23B 31/202

\* cited by examiner

*Primary Examiner* — Patricia A Palasik

(74) *Attorney, Agent, or Firm* — Kirk A. Buhler; Buhler & Associates Patenting

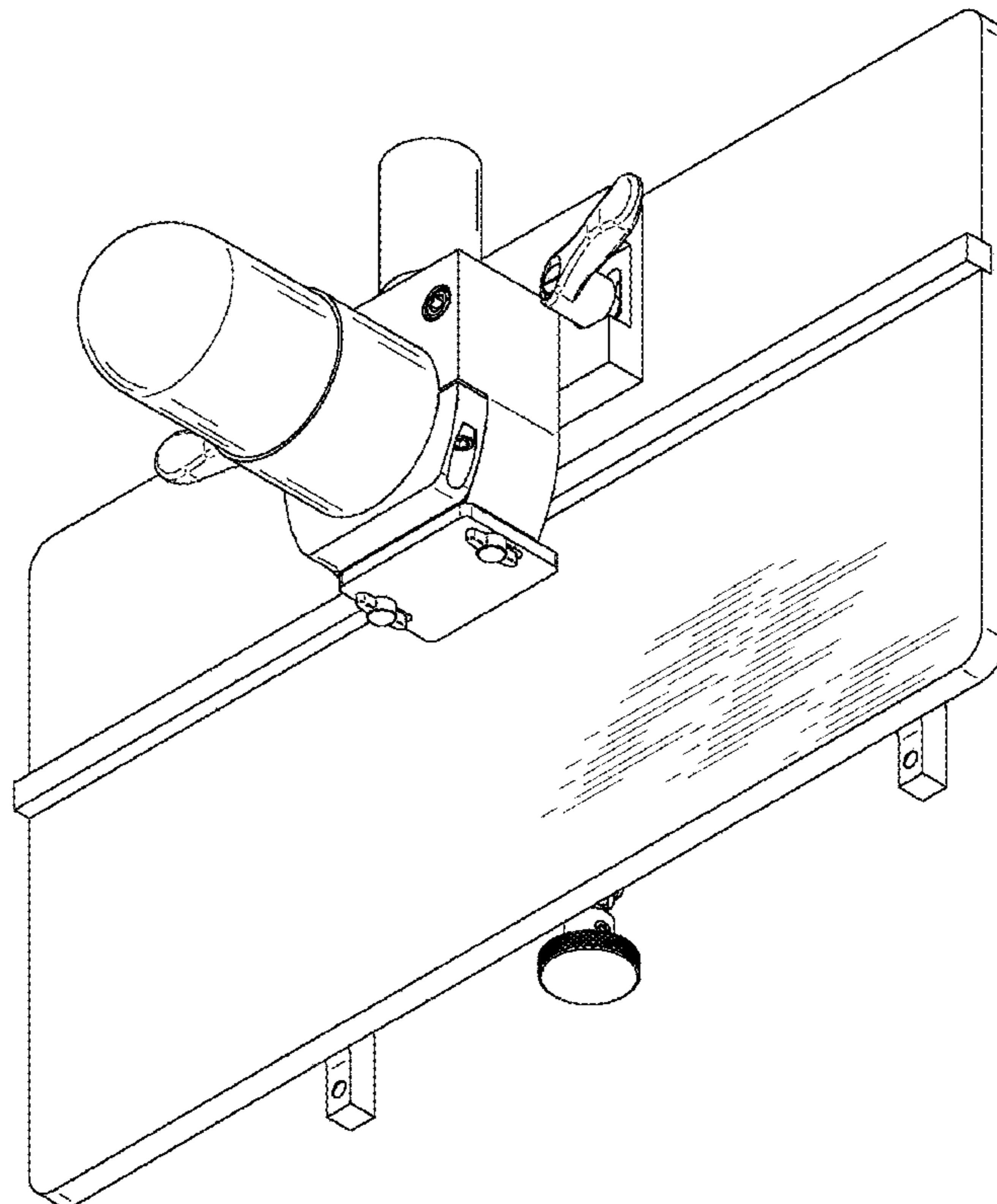
(57) **CLAIM**

The ornamental design for a top beveller, as shown and described.

**DESCRIPTION**

FIG. 1 is a top perspective view for a top beveller showing my new design;  
 FIG. 2 is a top plan view thereof;  
 FIG. 3 is a bottom view thereof;  
 FIG. 4 is a right-side elevation view, the left side elevation view being a mirror image thereof;  
 FIG. 5 is a rear elevation view thereof;  
 FIG. 6 is a front elevation view thereof; and,  
 FIG. 7 is a bottom perspective view thereof.

**1 Claim, 7 Drawing Sheets**



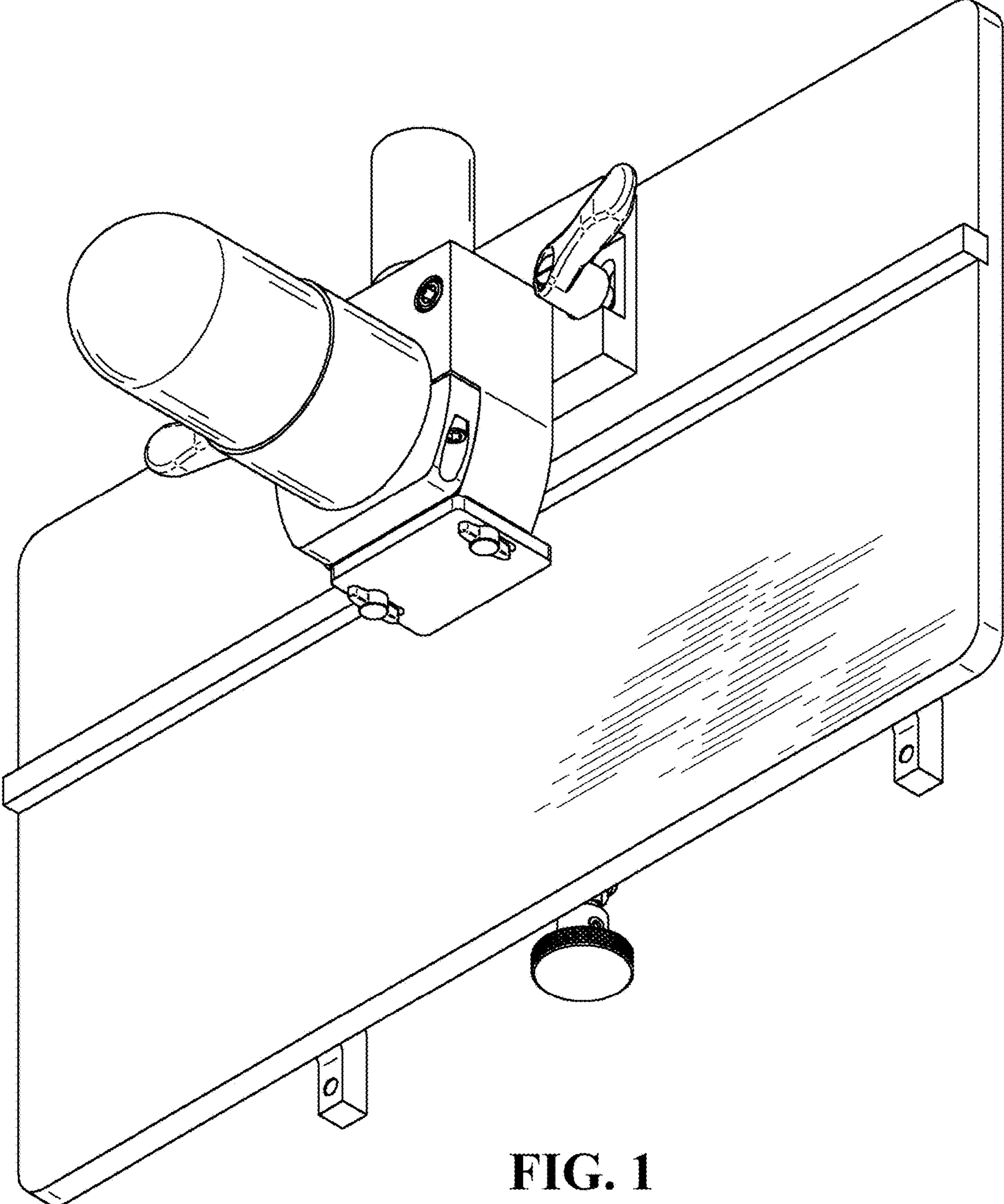


FIG. 1

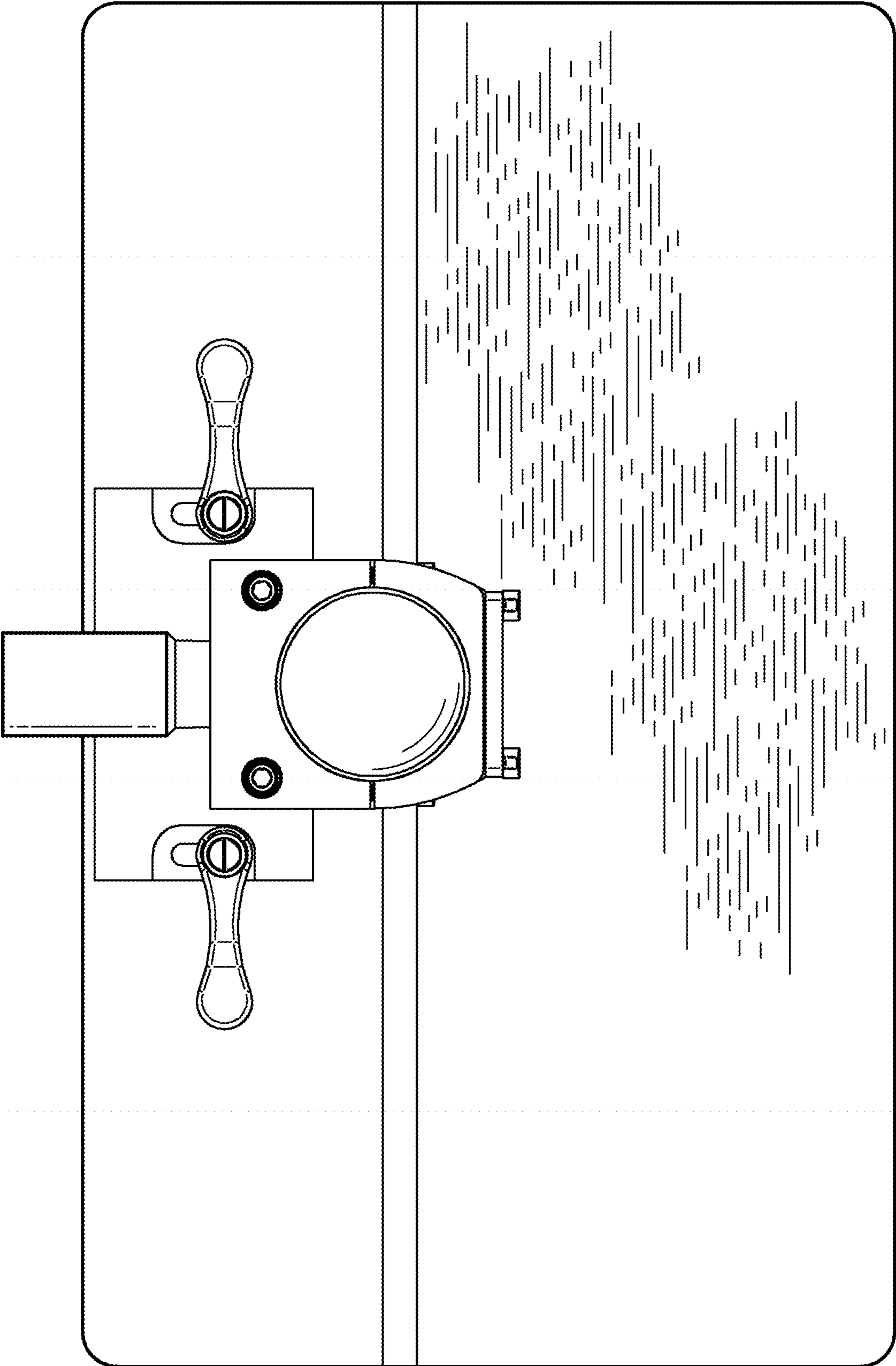


FIG. 2

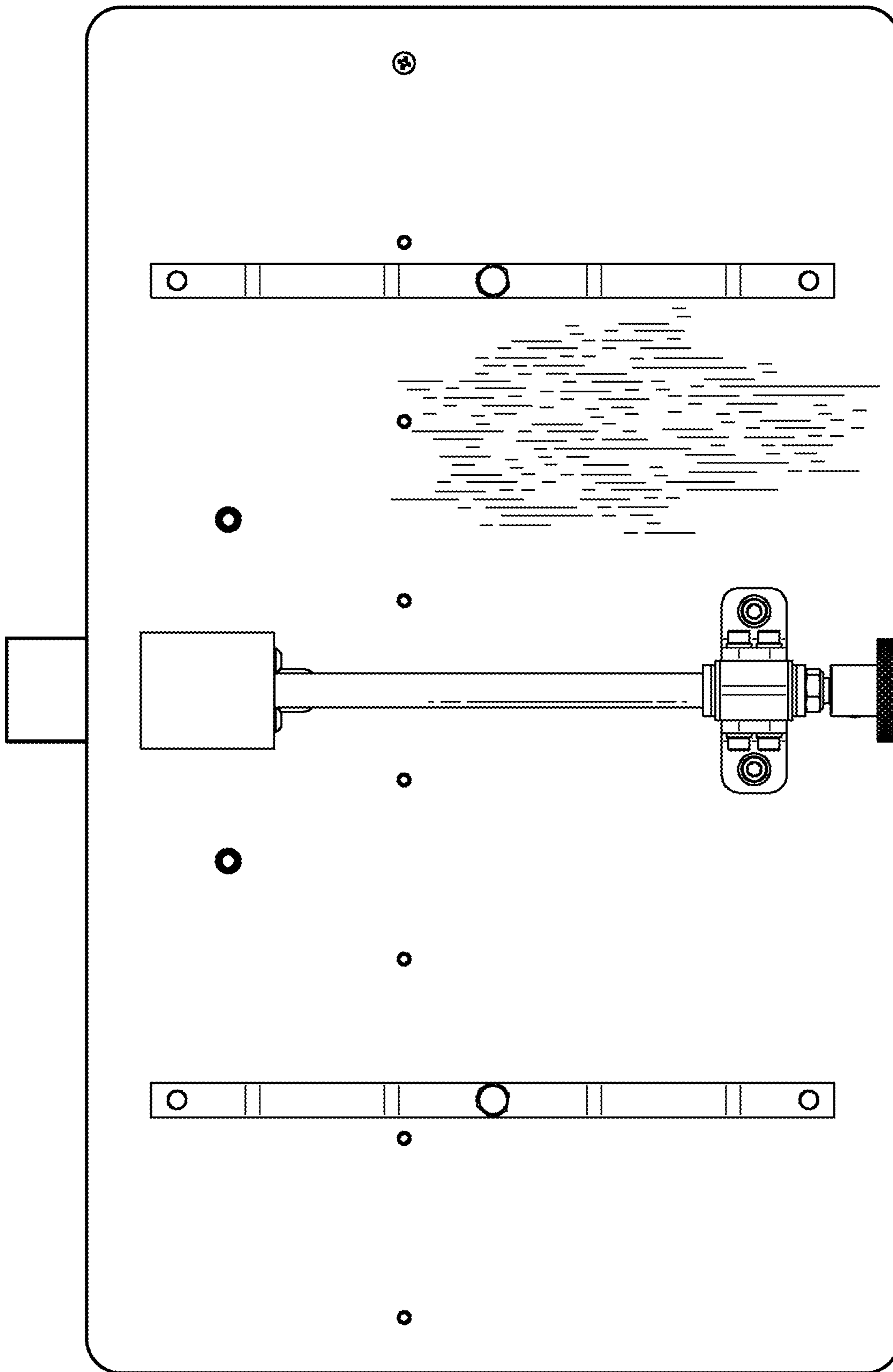


FIG. 3

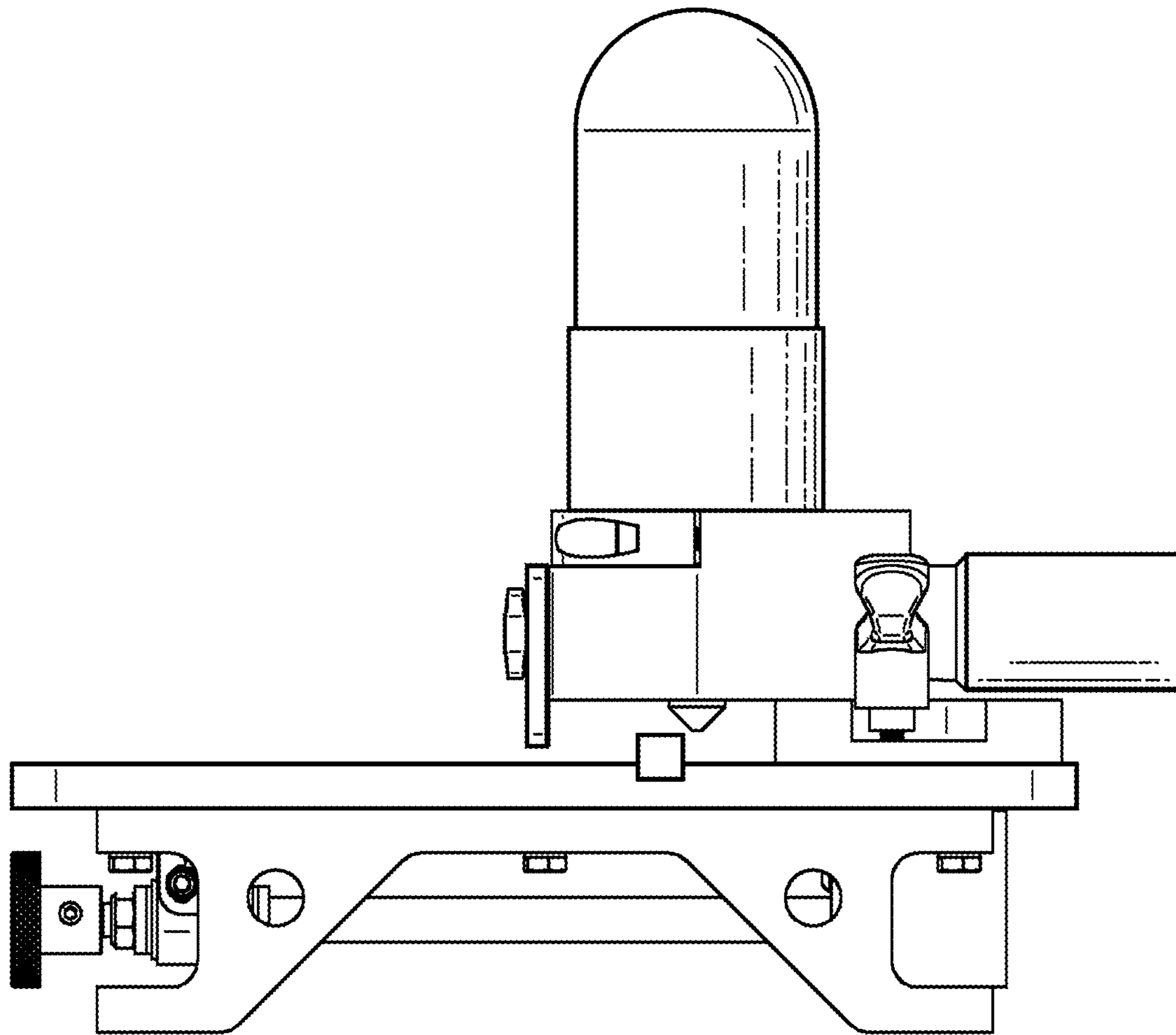
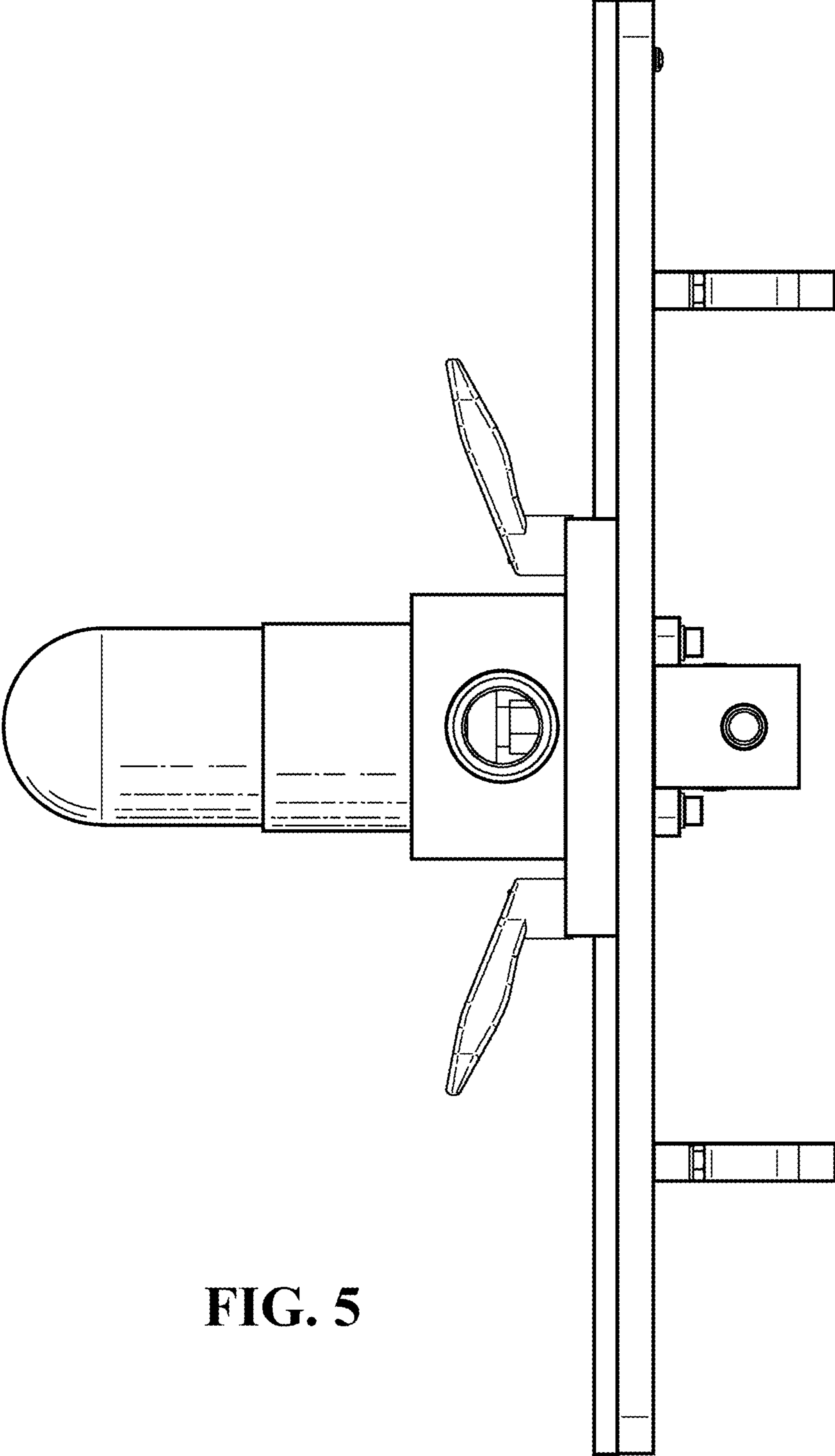


FIG. 4



**FIG. 5**

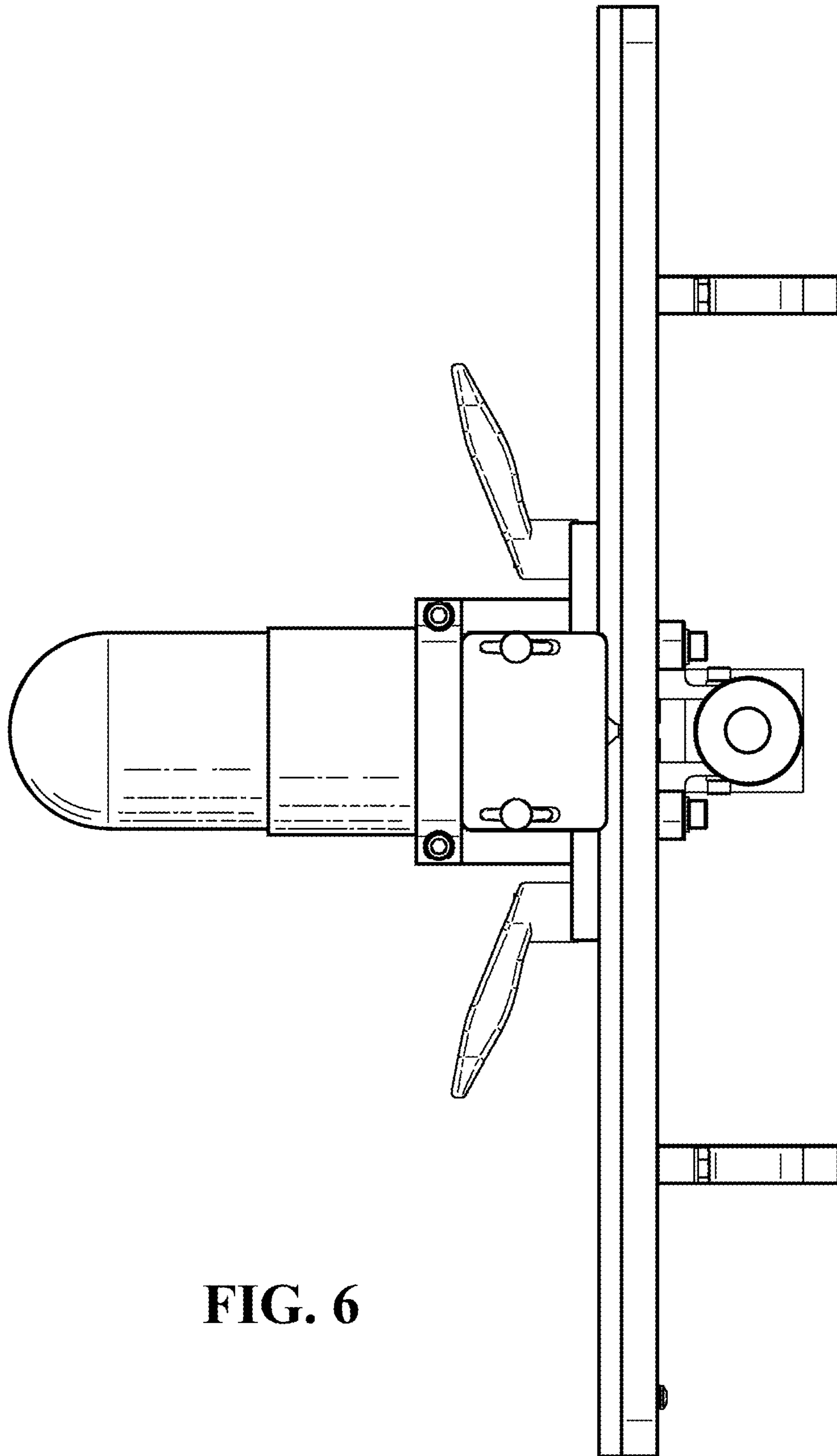


FIG. 6

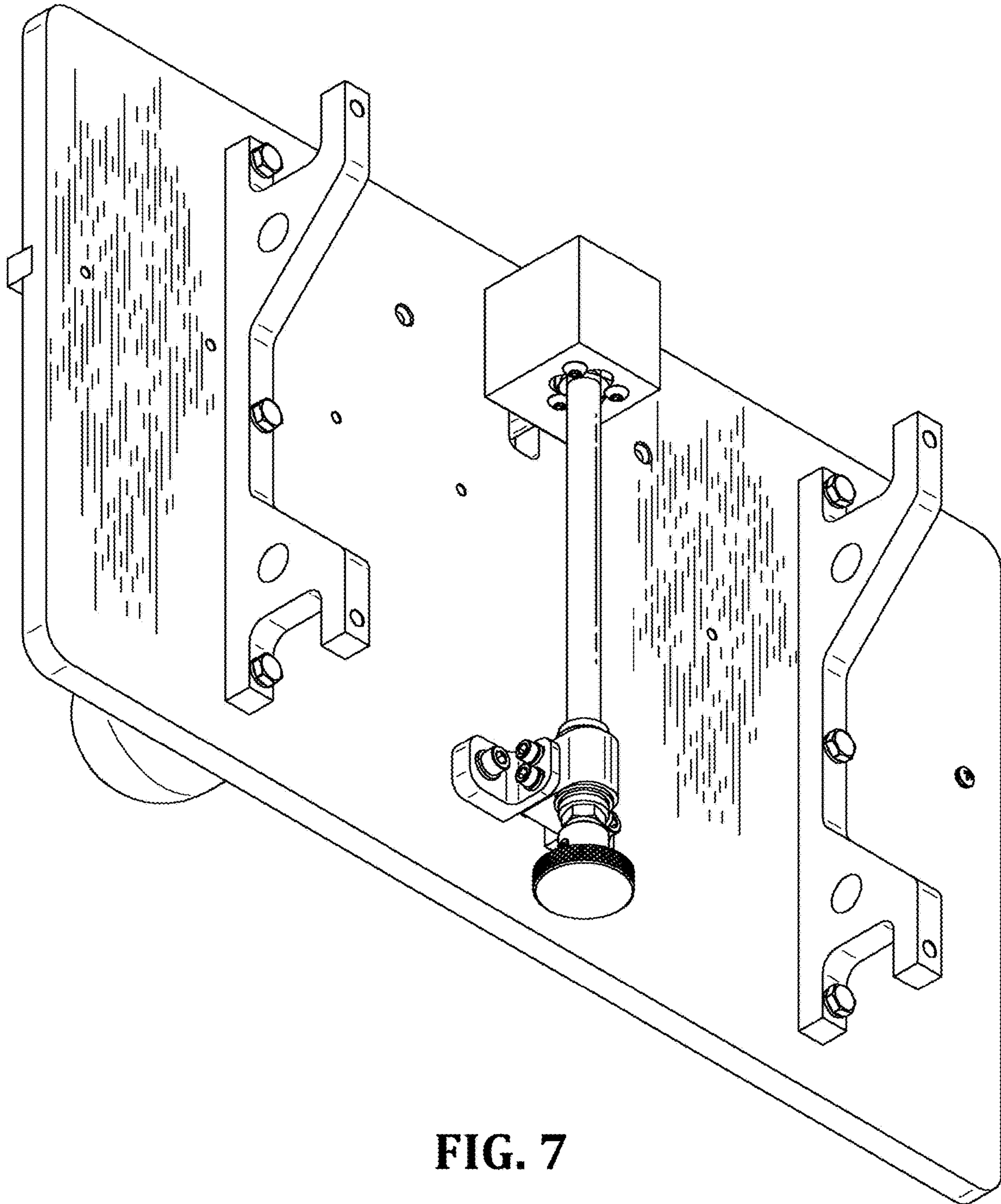


FIG. 7