



US00D930717S

(12) **United States Design Patent** (10) **Patent No.:** **US D930,717 S**
Dai (45) **Date of Patent:** **** Sep. 14, 2021**

(54) **REFRIGERATOR DRAWER**
(71) Applicant: **ShenZhen YiHong Technology Co., LTD, Guangdong (CN)**
(72) Inventor: **Yi Dai, ShenZhen (CN)**
(73) Assignee: **ShenZhen YiHong Technology Co., LTD, ShenZhen (CN)**
(**) Term: **15 Years**
(21) Appl. No.: **29/750,792**
(22) Filed: **Sep. 16, 2020**
(51) **LOC (13) Cl.** **15-07**
(52) **U.S. Cl.**
USPC **D15/89**
(58) **Field of Classification Search**
USPC D15/79-91
CPC .. F25C 5/182; F25C 2400/08; F25C 2400/10;
F25C 2400/14; F25C 2700/04; F25C
5/005; F25C 5/007; F25C 5/046; F25C
5/185
See application file for complete search history.

(56) **References Cited**
U.S. PATENT DOCUMENTS
D484,150 S 12/2003 Becke
D492,328 S 6/2004 Uihlein et al.
D522,542 S 6/2006 Czach et al.
D582,190 S * 12/2008 Valiulis D6/567
D591,313 S * 4/2009 Baacke D15/89
D591,314 S * 4/2009 Baacke D15/89
D612,872 S * 3/2010 Baacke D15/89
D658,882 S 5/2012 Cullen
D676,468 S 2/2013 Lee et al.
D694,289 S 11/2013 Hottmann et al.
D695,796 S 12/2013 Lee et al.
D709,531 S * 7/2014 Park D15/89
D710,406 S 8/2014 Seo et al.
D723,593 S 3/2015 Ryu et al.

D733,773 S * 7/2015 Lee D15/89
D734,784 S 7/2015 Kim et al.
D753,197 S * 4/2016 Lee D15/89
D777,221 S 1/2017 Burke et al.
D777,222 S 1/2017 Burke et al.
D777,223 S 1/2017 Burke et al.
D812,649 S * 3/2018 Onrat D15/89
(Continued)

OTHER PUBLICATIONS

Cereal Container, Komax, published by Komax <https://shopkomax.com/airtight-cereal-containers>.
(Continued)

Primary Examiner — Khawaja Anwar
(74) *Attorney, Agent, or Firm* — iPA & iPM

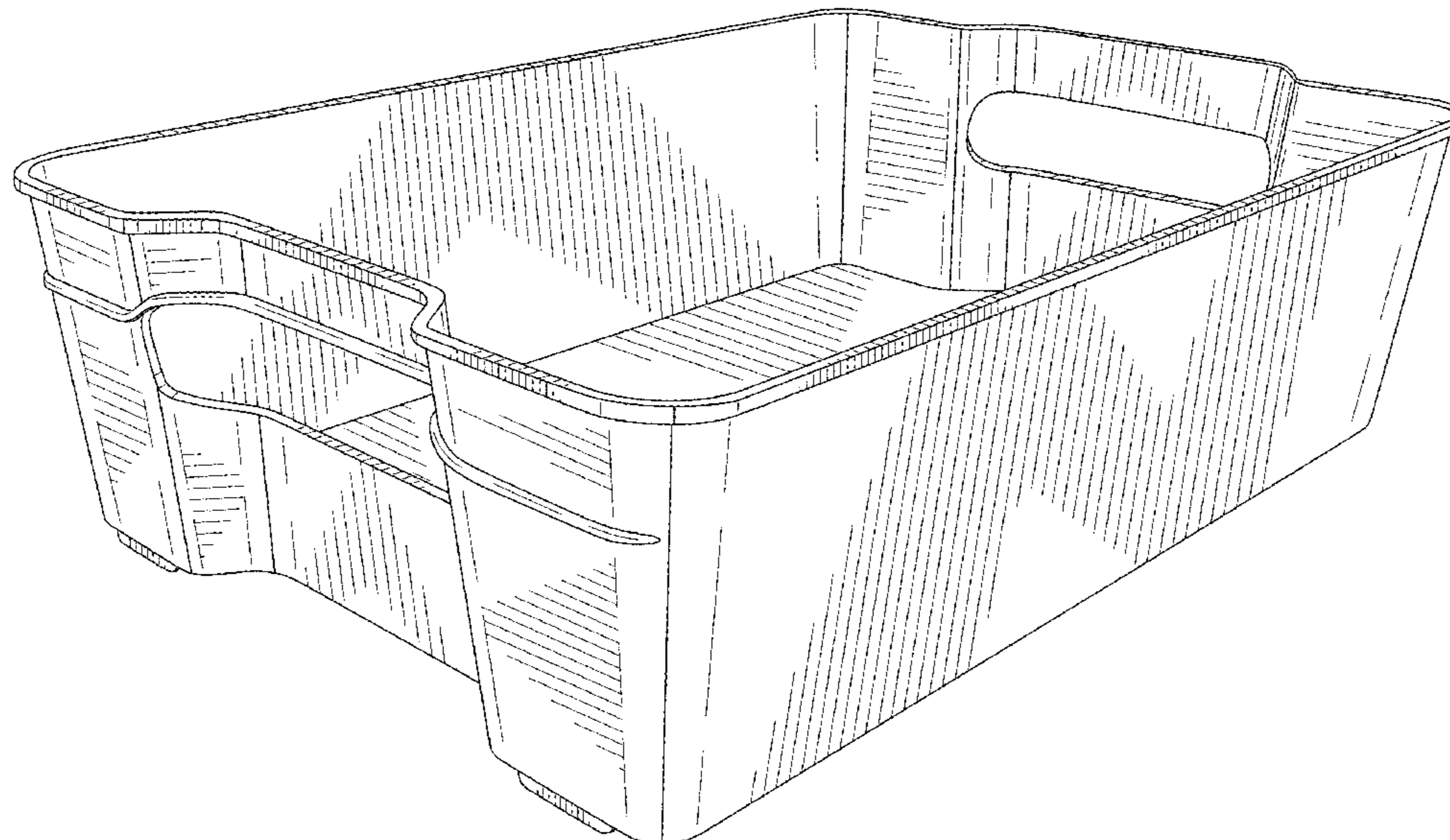
(57) **CLAIM**

The ornamental design for a refrigerator drawer, as shown and described.

DESCRIPTION

FIG. 1 is a first perspective view of a refrigerator drawer showing my new design;
FIG. 2 is a top view thereof;
FIG. 3 is a front view thereof;
FIG. 4 is a left side view thereof;
FIG. 5 is a back view thereof;
FIG. 6 is a right side view thereof;
FIG. 7 is a bottom view thereof; and
FIG. 8 is a perspective view of a second embodiment of the refrigerator drawer;
FIG. 9 is a perspective view of a third embodiment of the refrigerator drawer; and,
FIG. 10 is a perspective view of a forth embodiment of the refrigerator drawer.
Drawings are shaded in FIG. 7 to indicate contrasting surfaces.

1 Claim, 6 Drawing Sheets



(56)

References Cited

U.S. PATENT DOCUMENTS

D847,219 S 4/2019 Jeon et al.
D879,015 S * 3/2020 Besley D12/424

OTHER PUBLICATIONS

Rubbermaid Modular Cereal Keeper <https://www.amazon.com/Rubbermaid-Modular-Cereal-Keeper-18-cup/>.

* cited by examiner

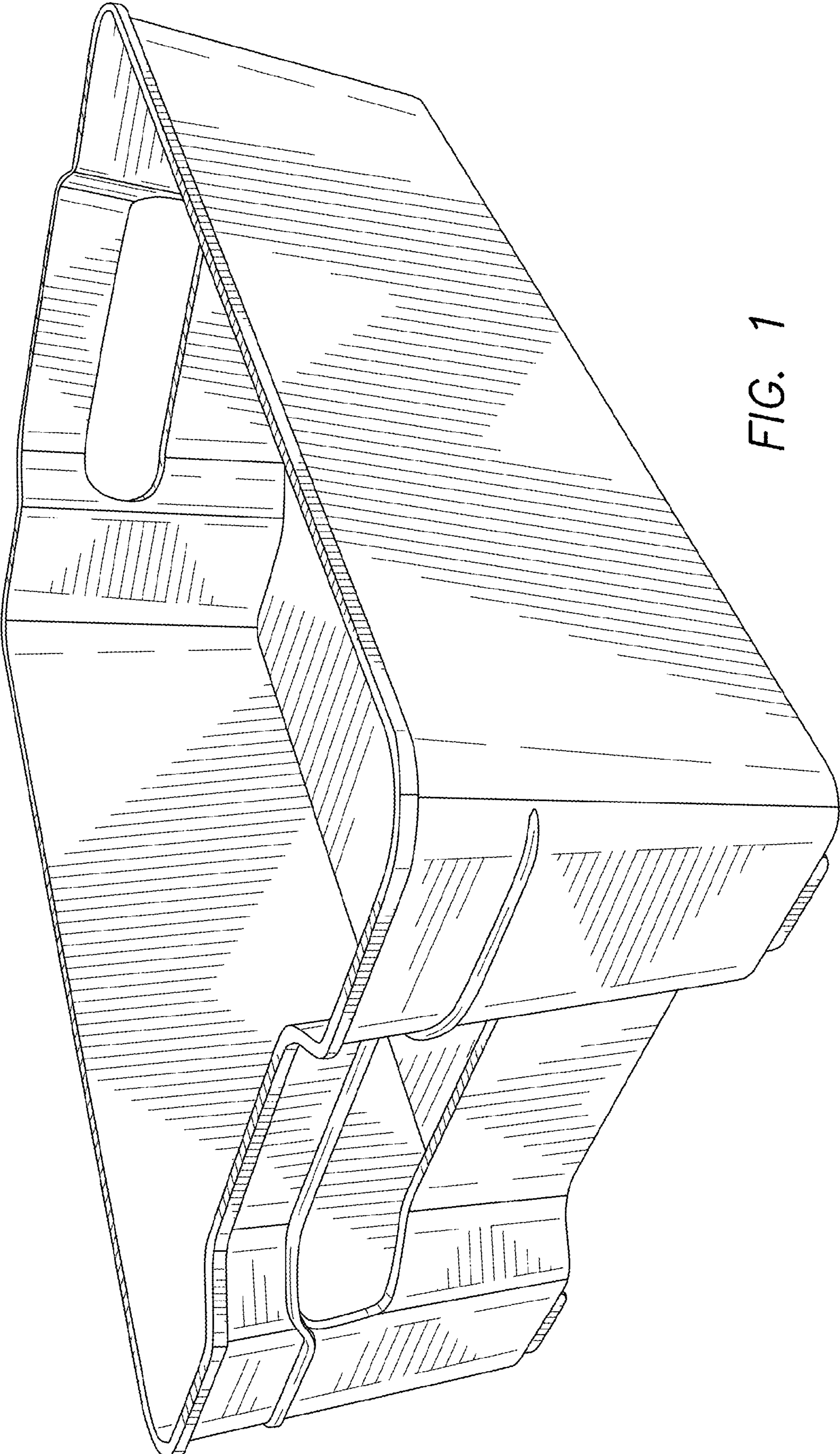


FIG. 1

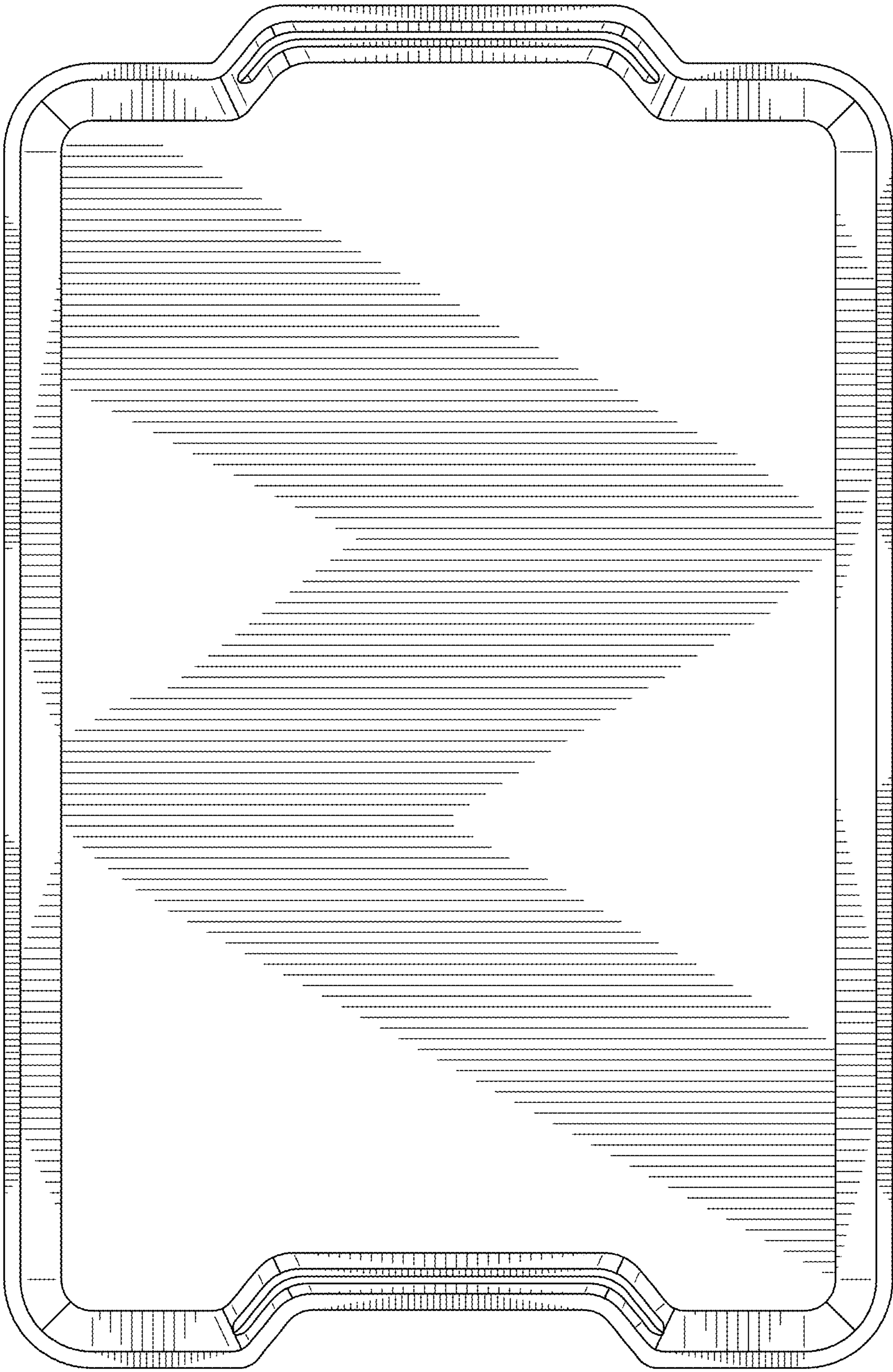


FIG. 2

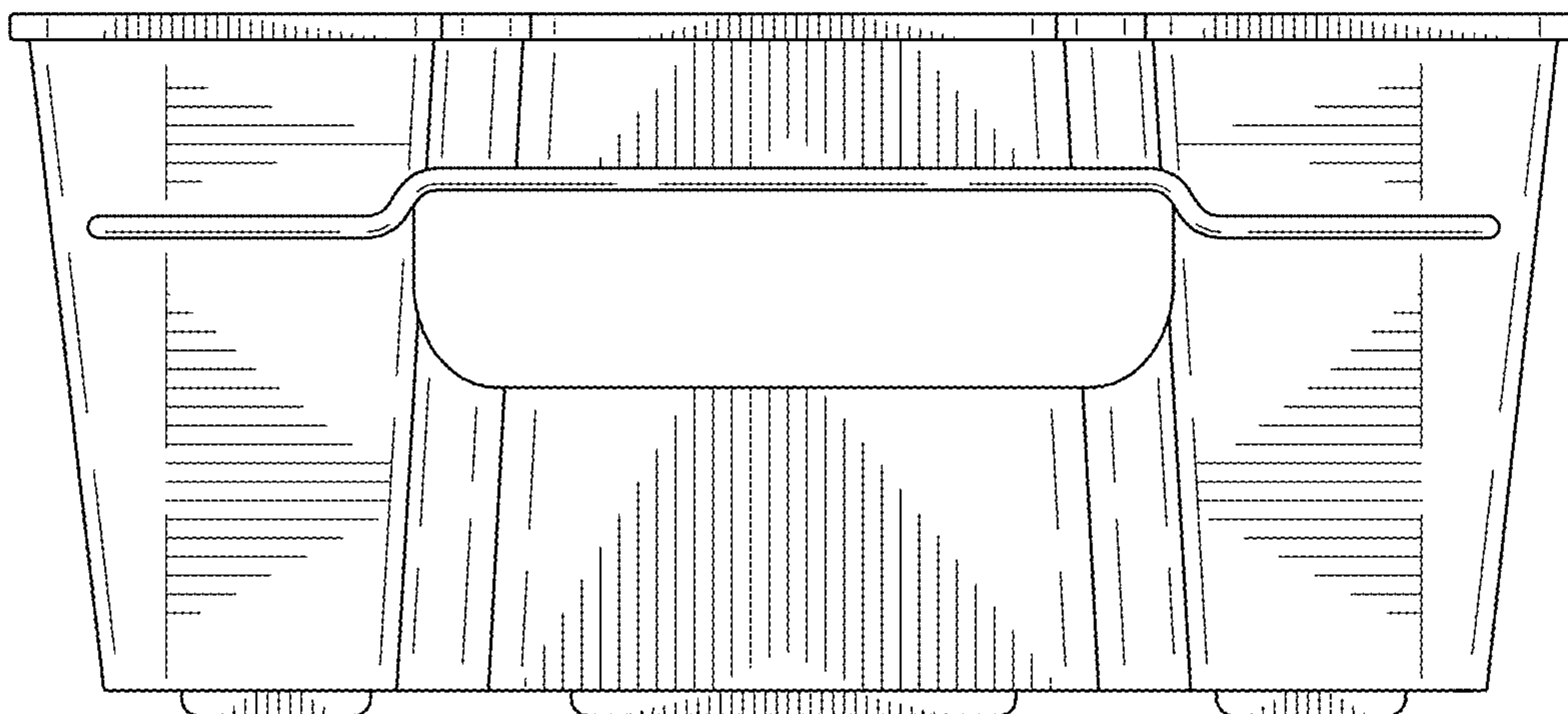


FIG. 3

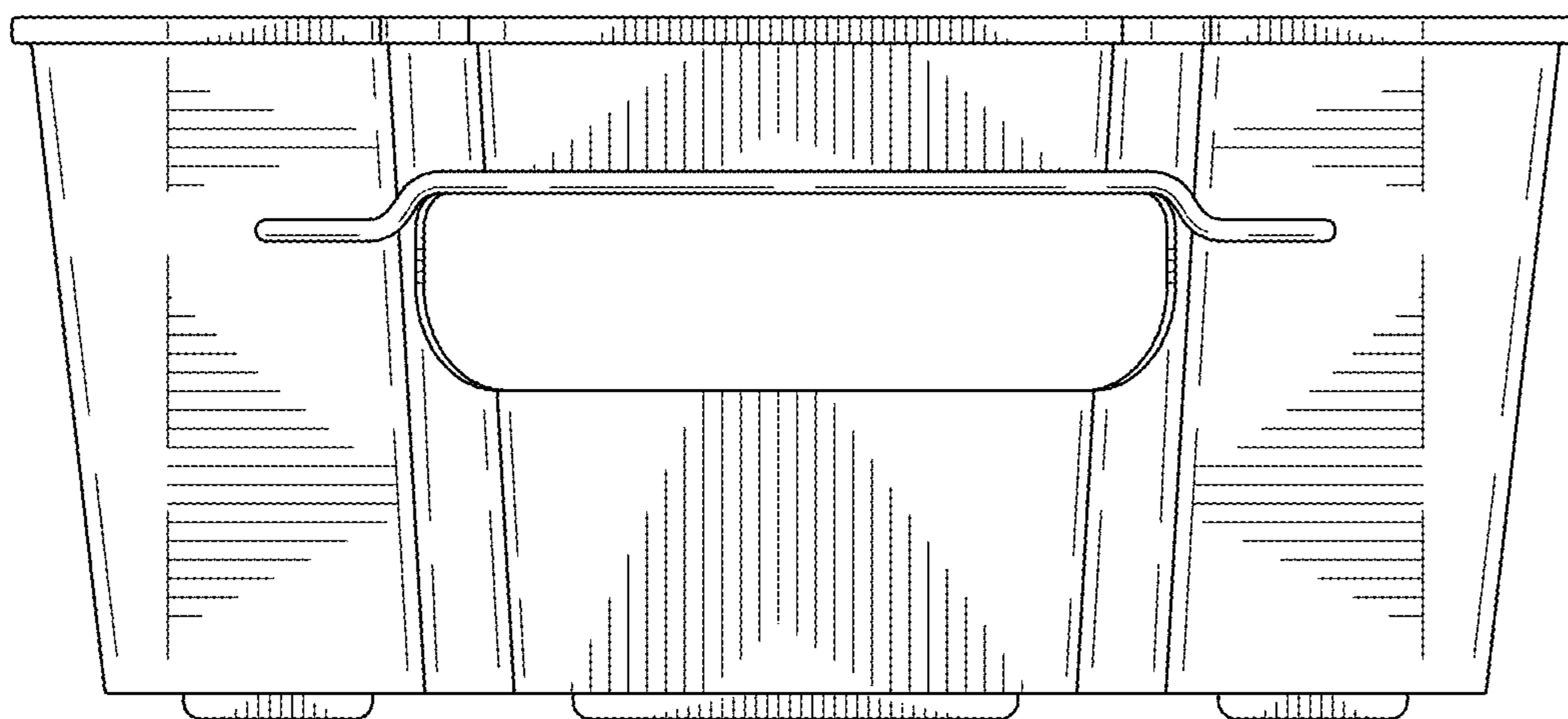


FIG. 4

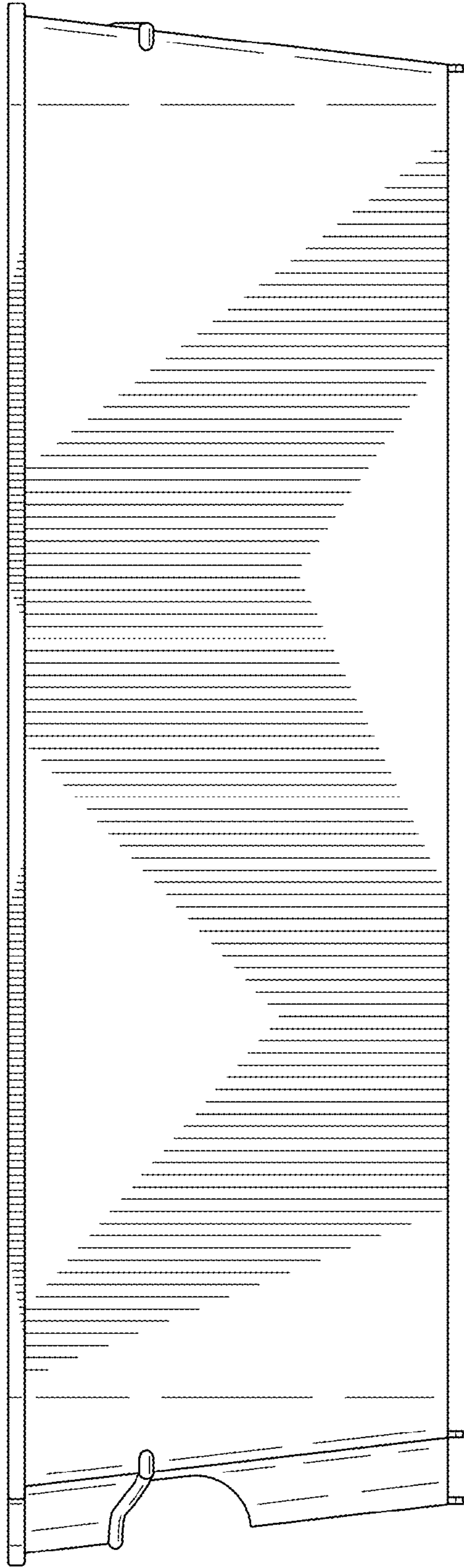


FIG. 5

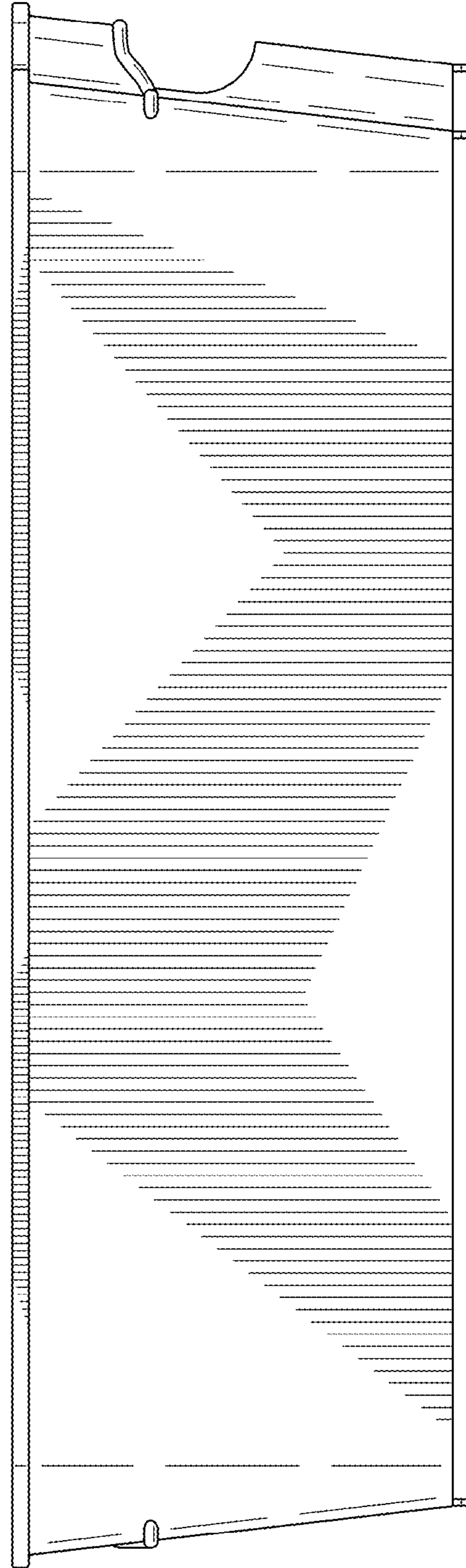


FIG. 6

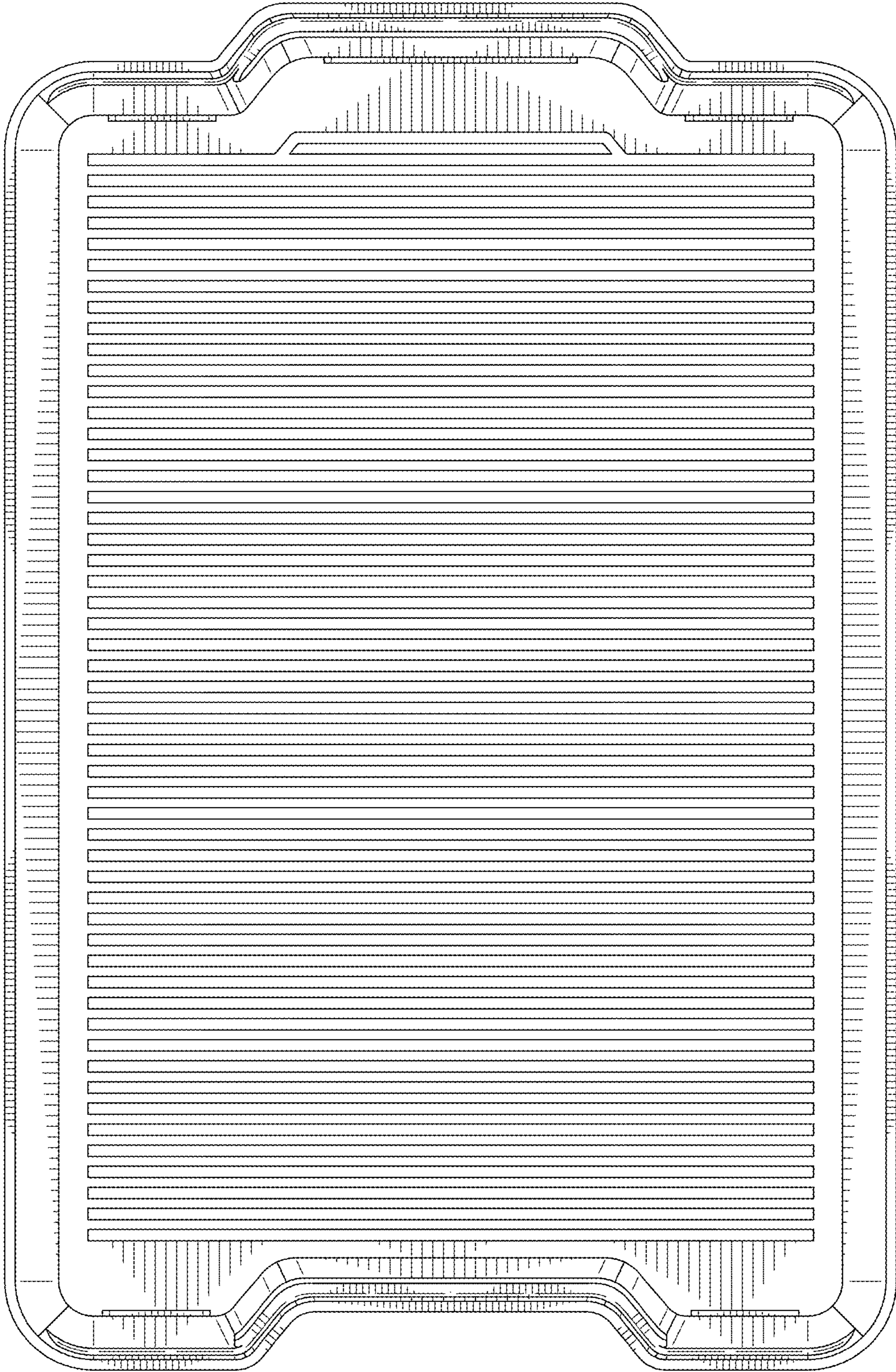


FIG. 7

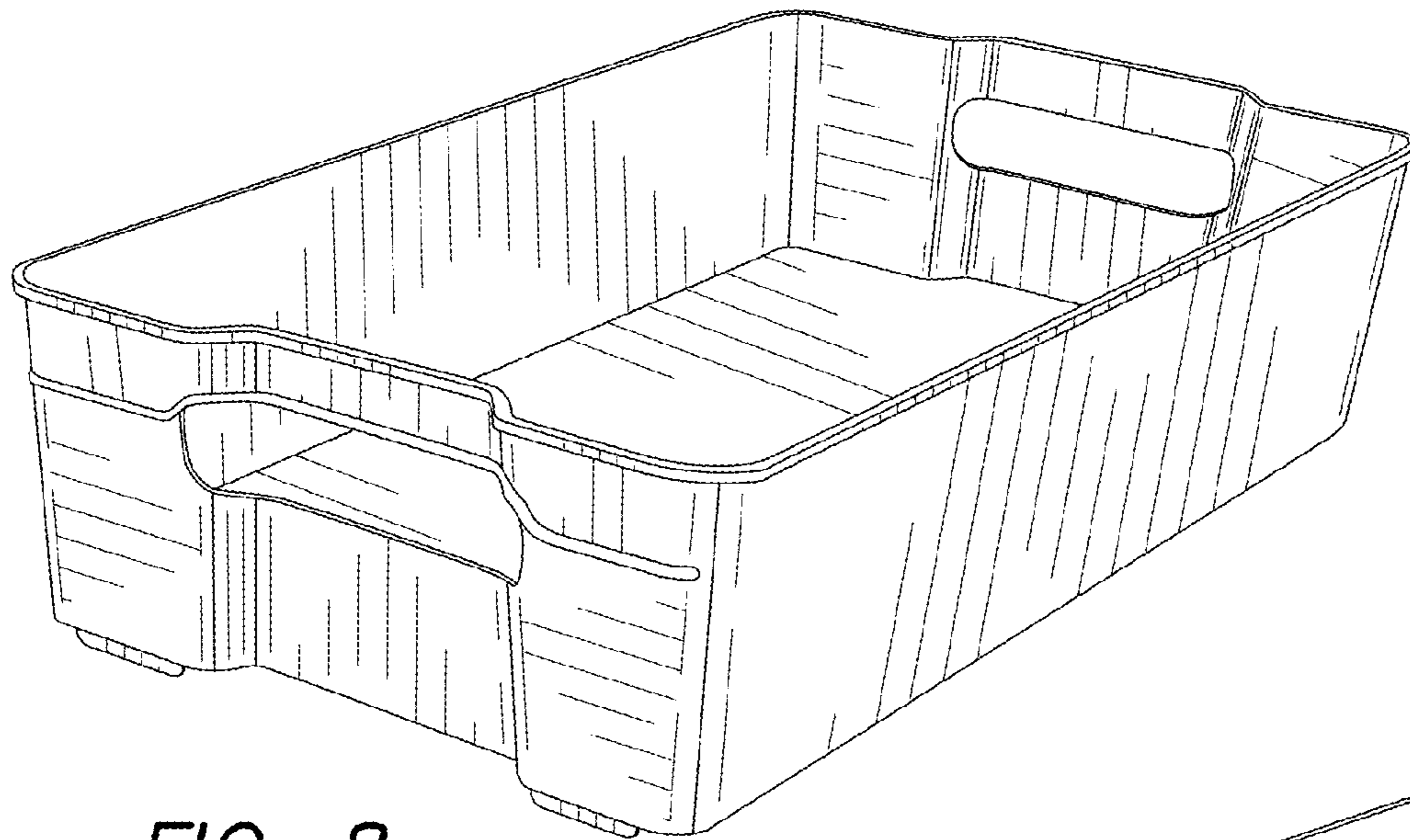


FIG. 8

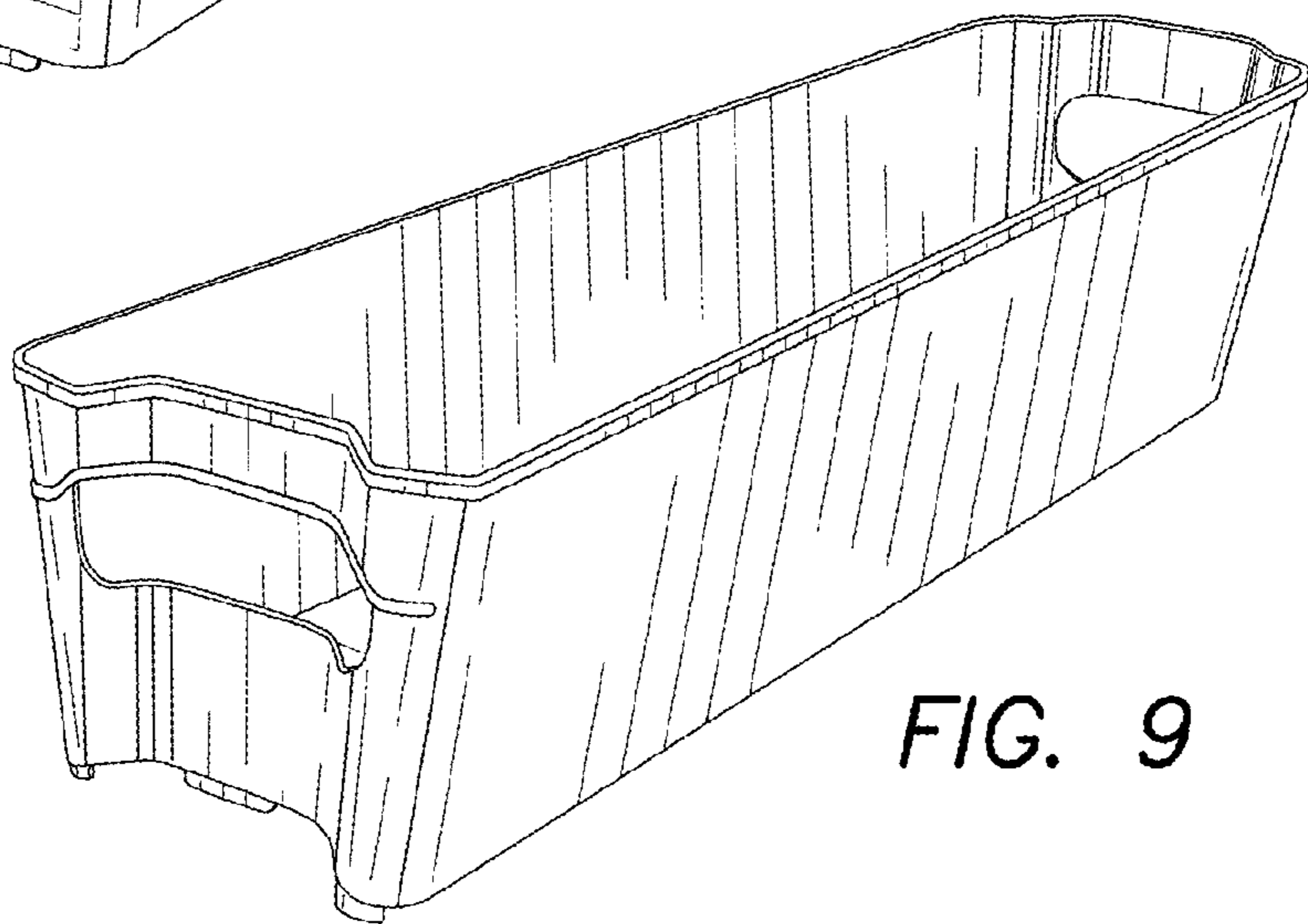


FIG. 9

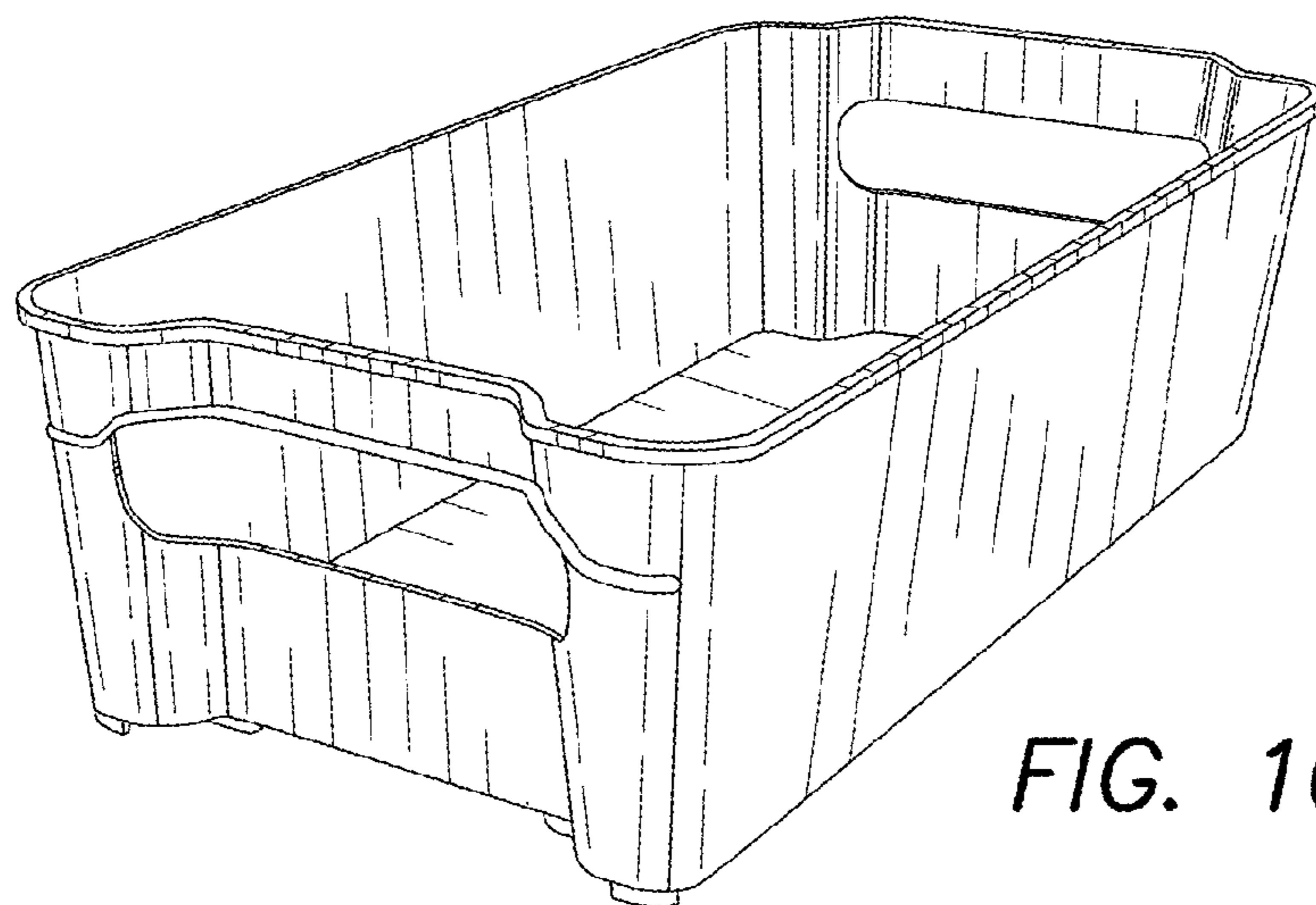


FIG. 10