



US00D930716S

(12) **United States Design Patent**
Huang

(10) **Patent No.:** **US D930,716 S**

(45) **Date of Patent:** **** Sep. 14, 2021**

- (54) **MINI MIRROR REFRIGERATOR**
- (71) Applicant: **Ningbo Junyue Electric Co., Ltd.,**
Yuyao (CN)
- (72) Inventor: **Wenming Huang, Yuyao (CN)**
- (**) Term: **15 Years**
- (21) Appl. No.: **29/766,203**
- (22) Filed: **Jan. 14, 2021**
- (51) **LOC (13) Cl.** **15-07**
- (52) **U.S. Cl.**
USPC **D15/81**
- (58) **Field of Classification Search**
USPC D15/79-91
CPC F25D 17/065; F25D 2317/061; F25D
2323/023; F25D 23/028; F25D 23/126;
F25D 11/02; F25D 2201/126; F25D
2201/1262; F25D 2201/14; F25D
2323/021; F25D 23/02; F25D 23/025;
F25D 23/04; F25D 23/062; F25D 23/064;
F25D 23/065; F25D 23/067; F25D
2400/361; F25D 25/025; F25D 25/04;
F25D 29/005; F25D 29/006; F25D
31/005; F25D 3/06
See application file for complete search history.

- D867,407 S * 11/2019 Wang D15/79
- D874,527 S 2/2020 Kim et al.
- D877,212 S 3/2020 Kim et al.
- D881,952 S 4/2020 Kim et al.
- D881,953 S 4/2020 Kim et al.
- D883,347 S 5/2020 Kim et al.
- D886,163 S * 6/2020 Yao D15/81
- D905,129 S 12/2020 Deng

* cited by examiner

Primary Examiner — Khawaja Anwar

(74) *Attorney, Agent, or Firm* — Rumit Ranjit Kanakia

(57) **CLAIM**

The ornamental design for a mini mirror refrigerator, as shown and described.

DESCRIPTION

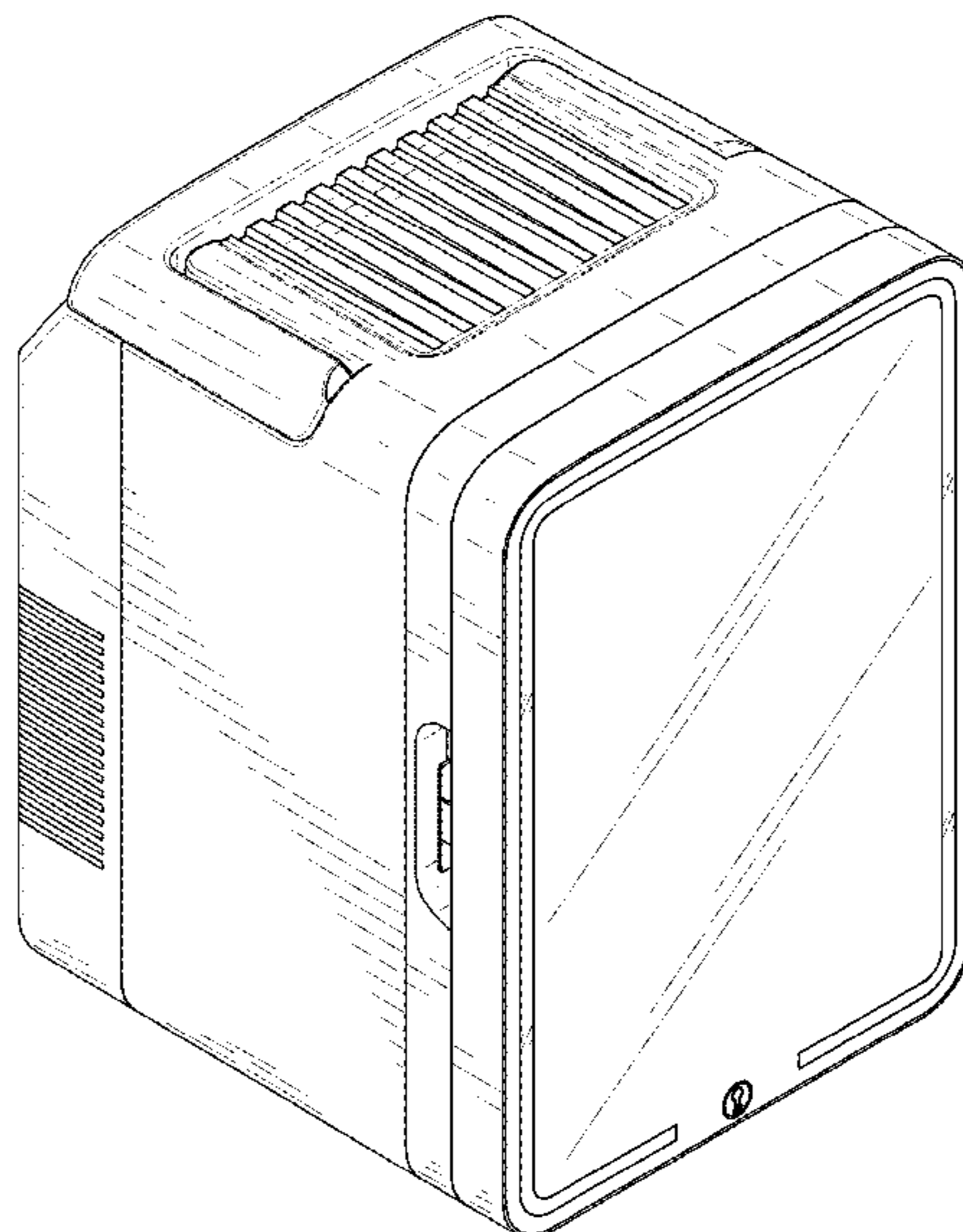
FIG. 1 is a front view of a mini mirror refrigerator showing my new design;
 FIG. 2 is a rear view thereof;
 FIG. 3 is a left side view thereof;
 FIG. 4 is a right side view thereof;
 FIG. 5 is a top view thereof;
 FIG. 6 is a bottom view thereof;
 FIG. 7 is a perspective view of a mini mirror refrigerator showing my new design;
 FIG. 8 is another perspective view thereof;
 FIG. 9 is a front view of a mini mirror refrigerator showing that the refrigerator door is open;
 FIG. 10 is a left side view of a mini mirror refrigerator showing that the refrigerator door is open;
 FIG. 11 is a perspective view of a mini mirror refrigerator showing that the refrigerator door is open; and,
 FIG. 12 is another perspective view of a mini mirror refrigerator showing that the refrigerator door is open.
 The broken lines in the figures are for the purposes of illustrating portions of the Mini Mirror Refrigerator, which form no part of the claimed design.

(56) **References Cited**

U.S. PATENT DOCUMENTS

- D354,064 S * 1/1995 Sims D15/81
- D567,828 S * 4/2008 Moran D15/79
- D618,257 S * 6/2010 Hanamure D15/79
- D726,782 S * 4/2015 Haygeman D15/79
- D726,783 S * 4/2015 Haygeman D15/79
- D730,953 S * 6/2015 Dickens D15/79
- D739,882 S * 9/2015 Schaefer D15/79
- D844,033 S * 3/2019 Lim D15/79
- D851,689 S 6/2019 You et al.
- D852,853 S 7/2019 Kim et al.
- D853,454 S 7/2019 Kim et al.

1 Claim, 12 Drawing Sheets



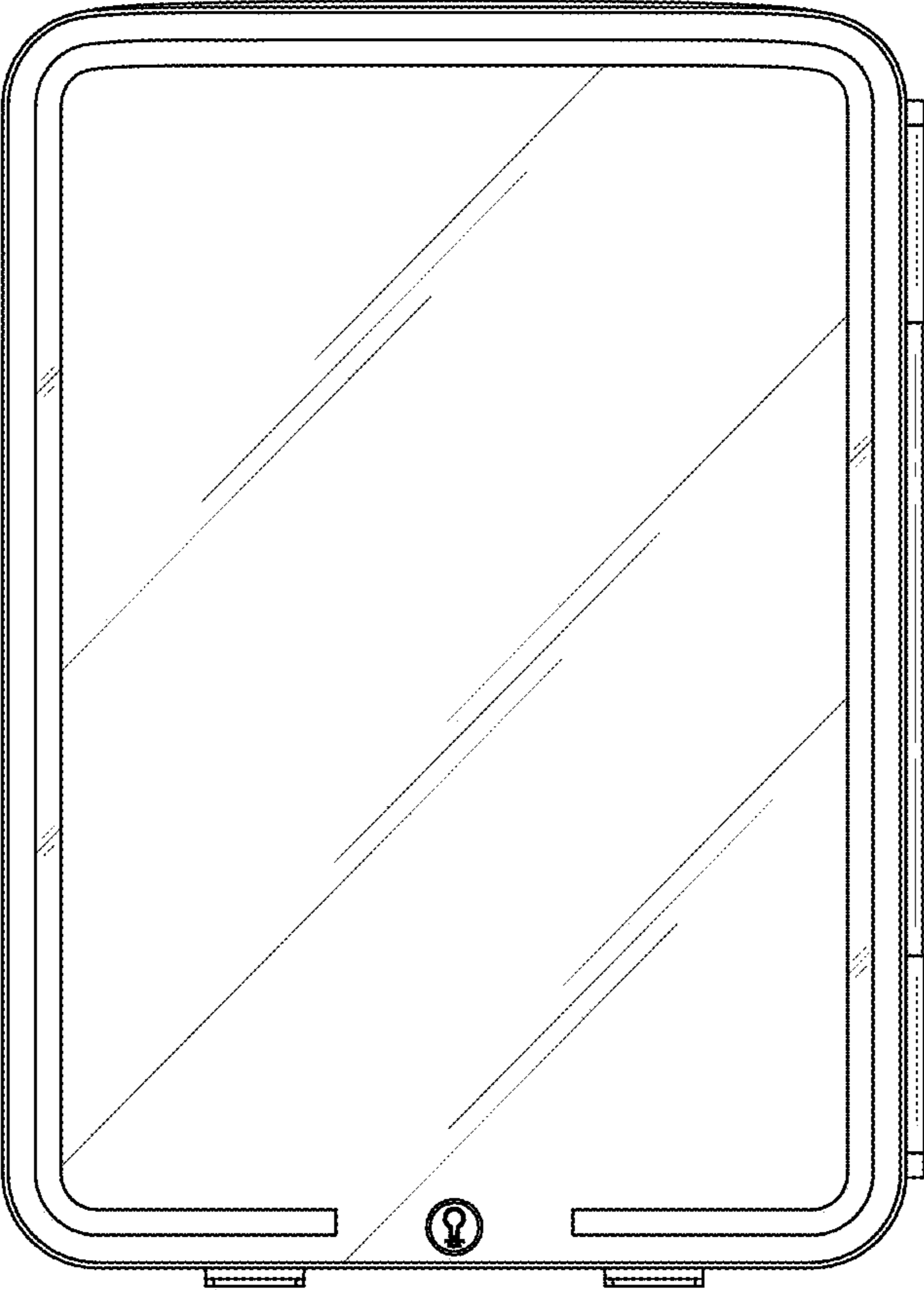


FIG. 1

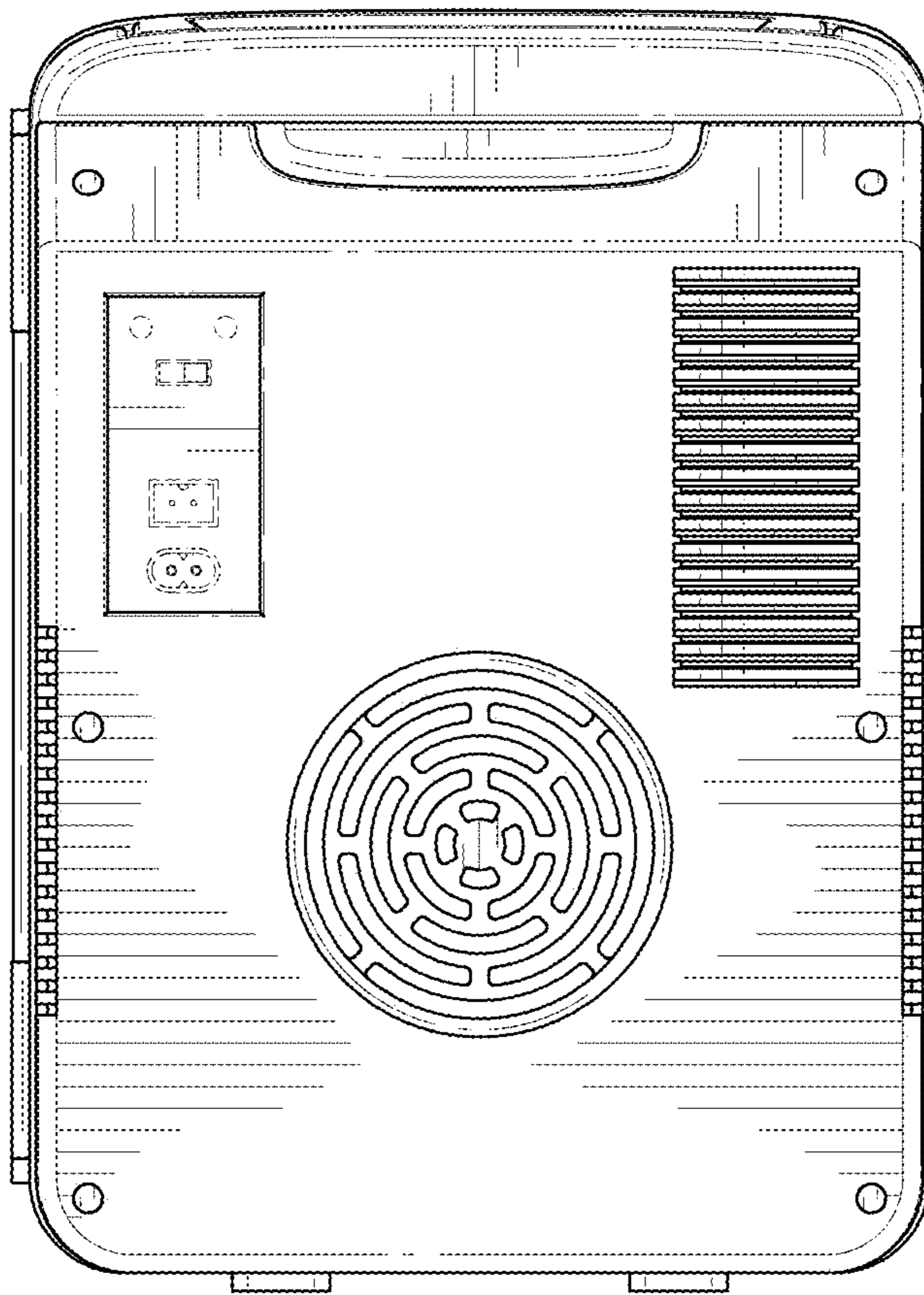


FIG. 2

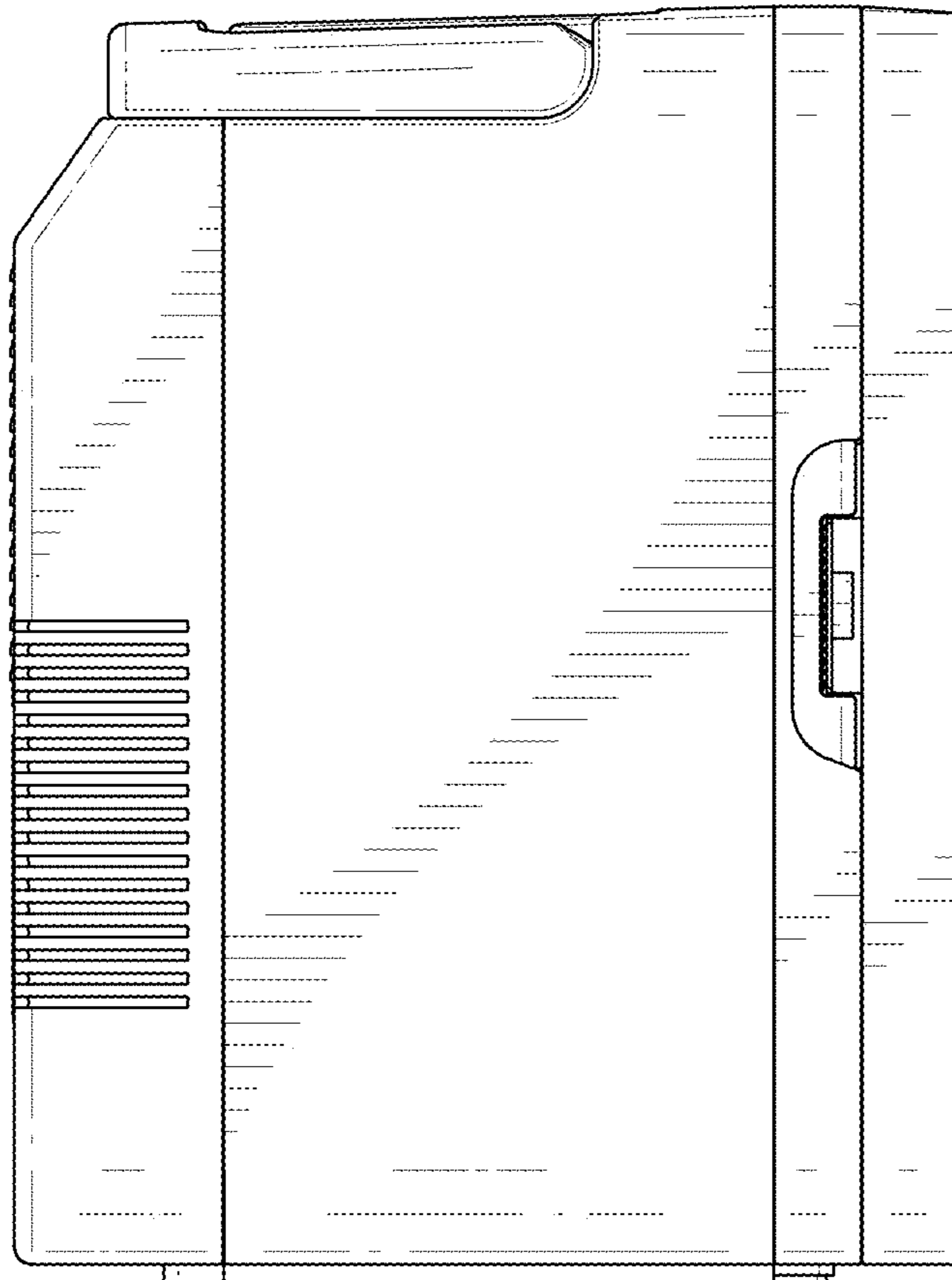


FIG. 3

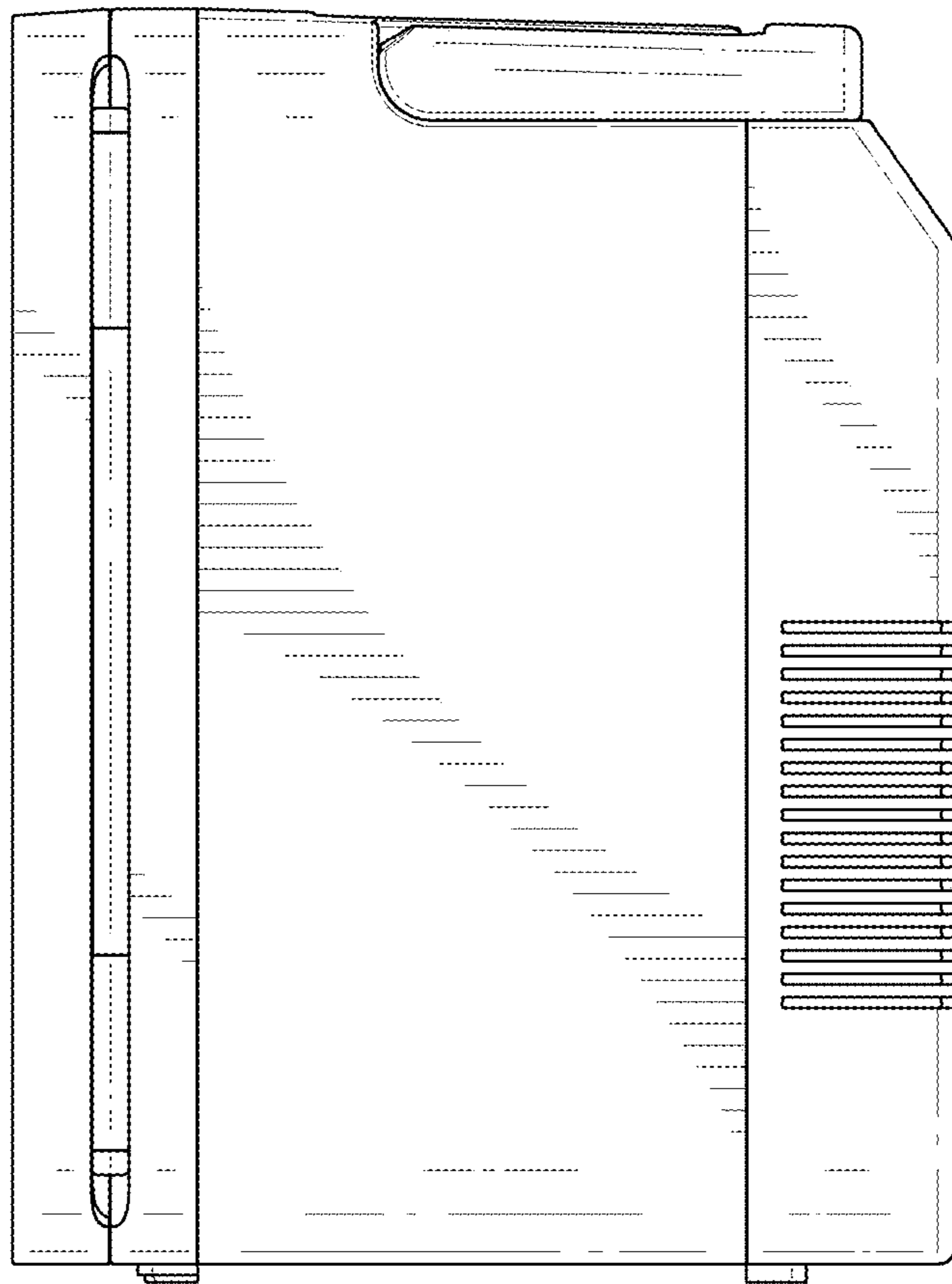


FIG. 4

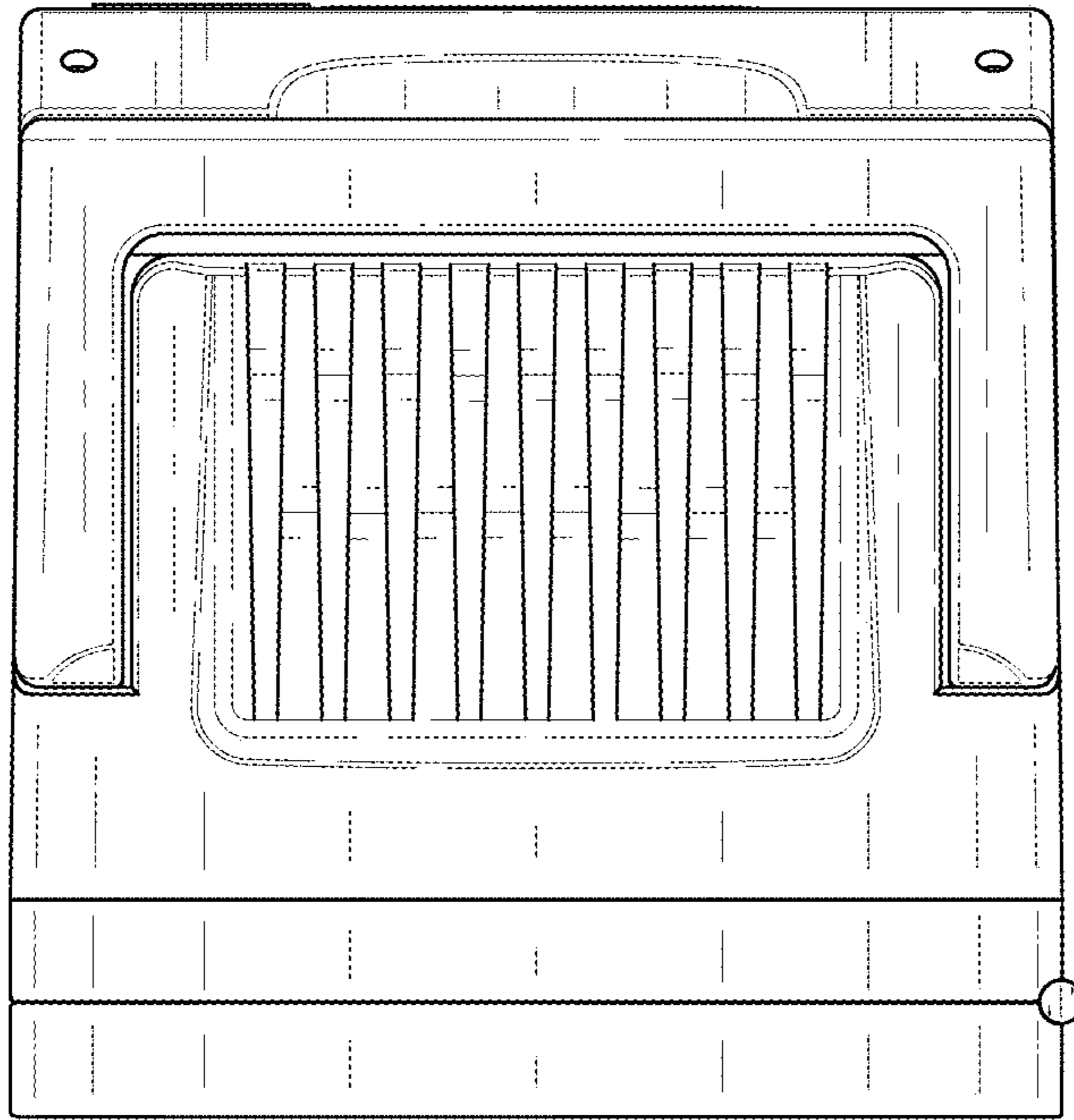


FIG. 5

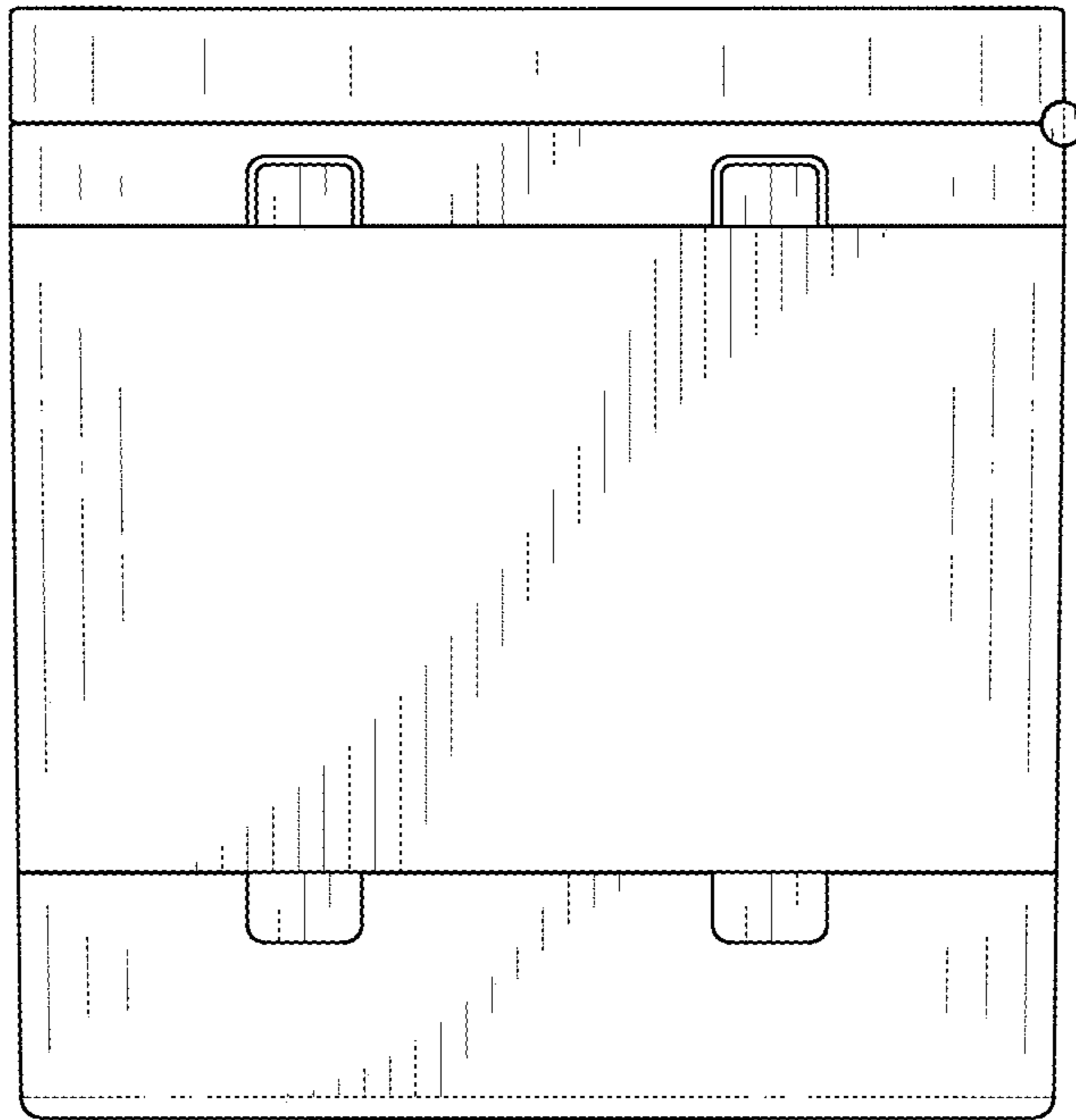


FIG. 6

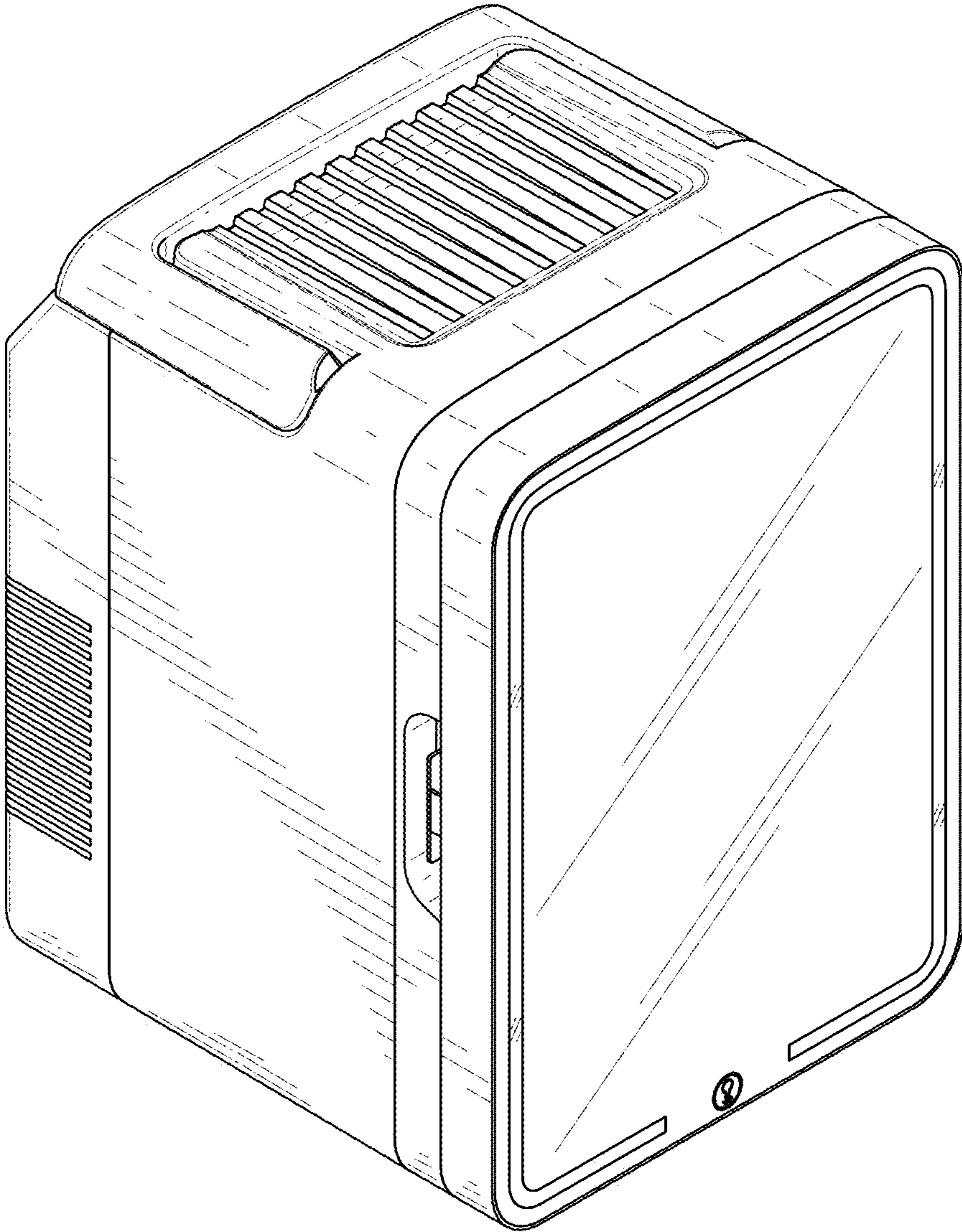


FIG. 7

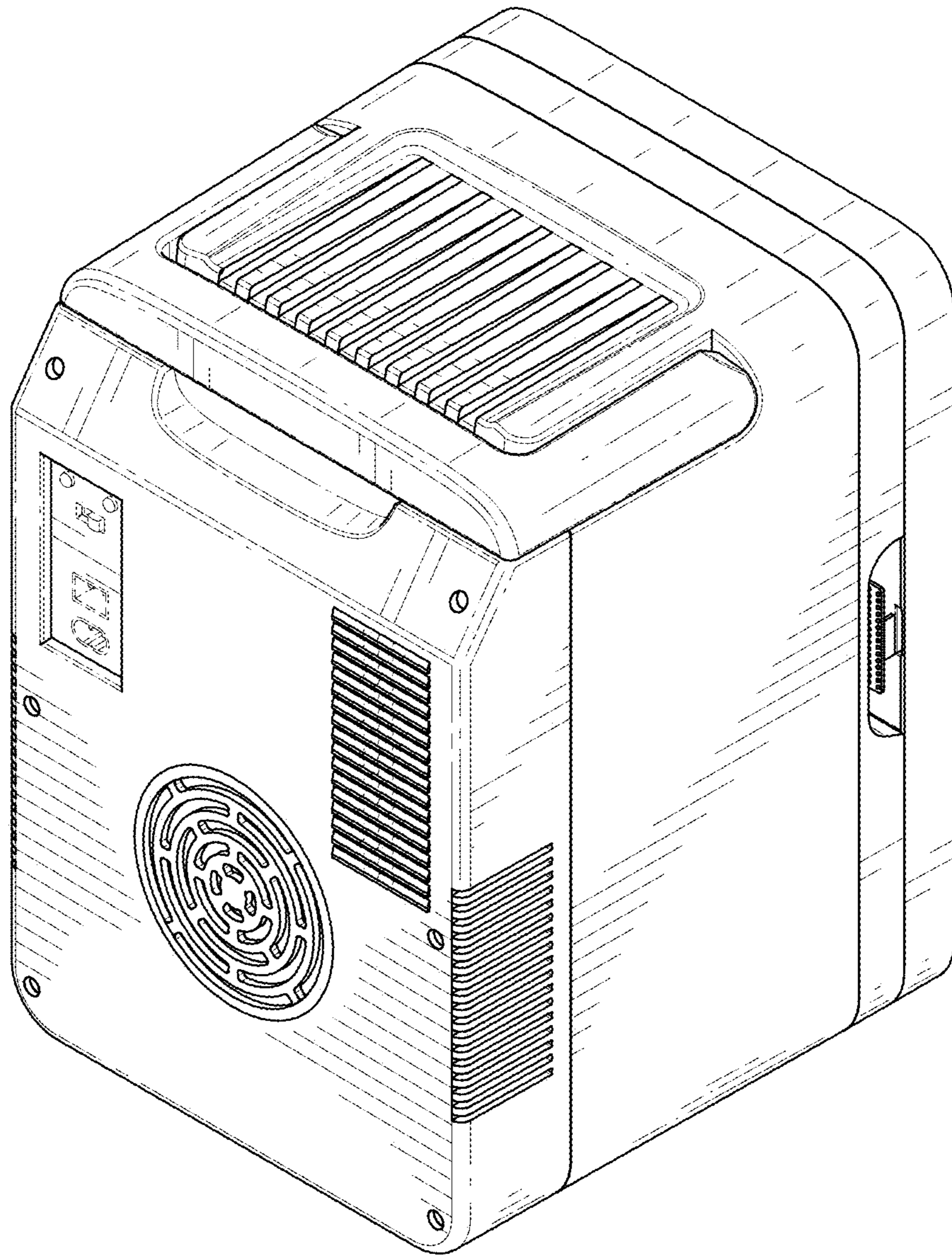


FIG. 8

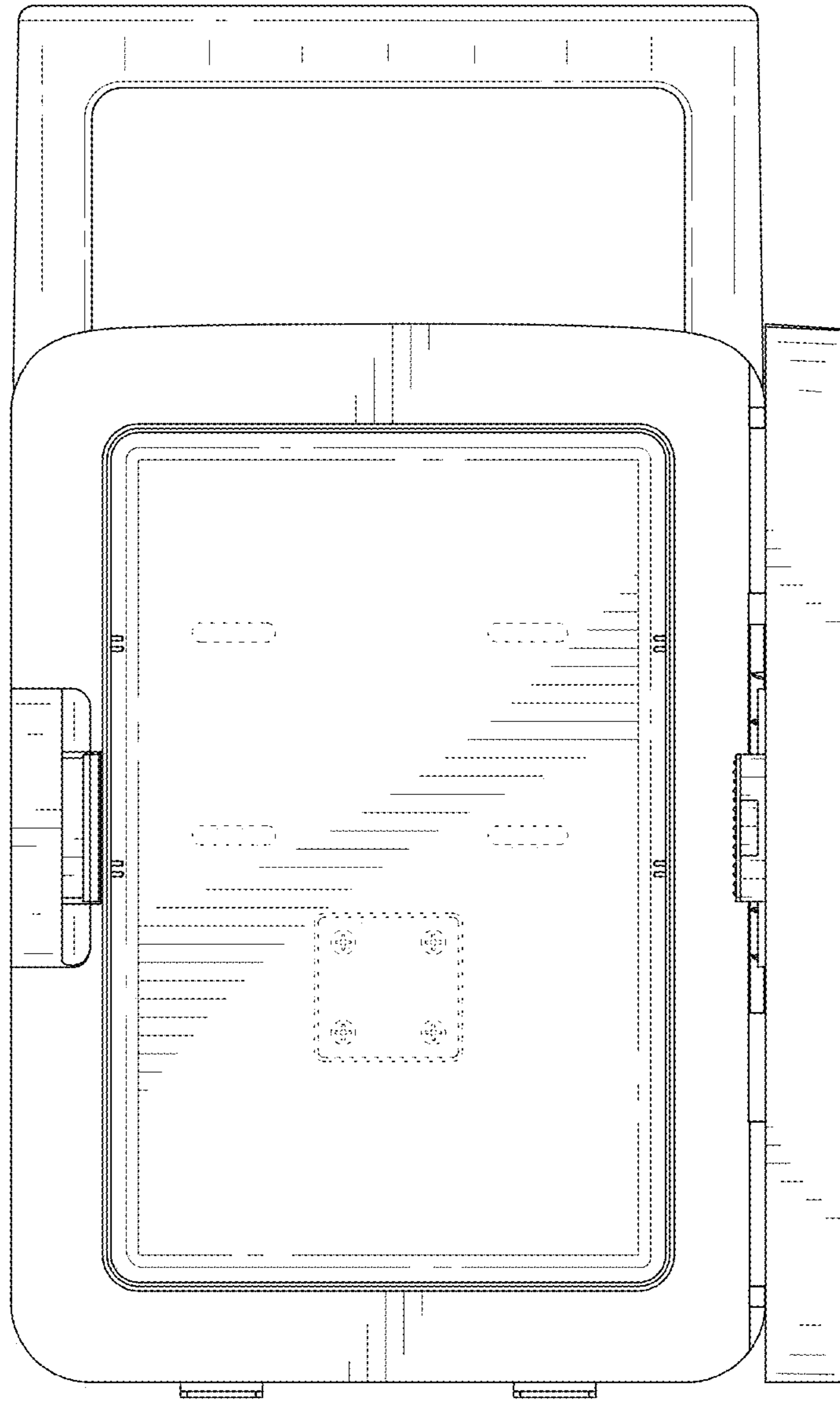


FIG. 9

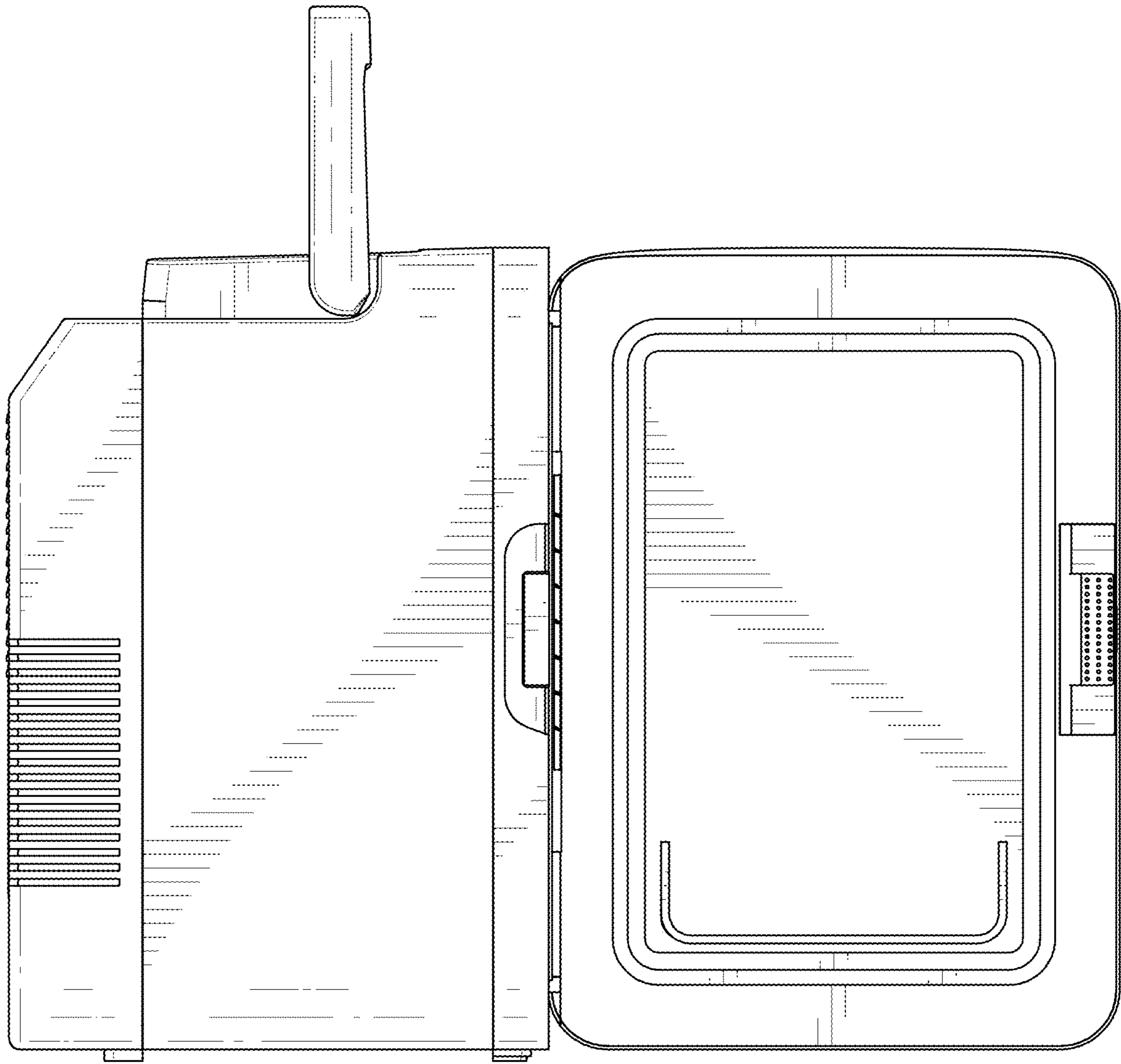


FIG. 10

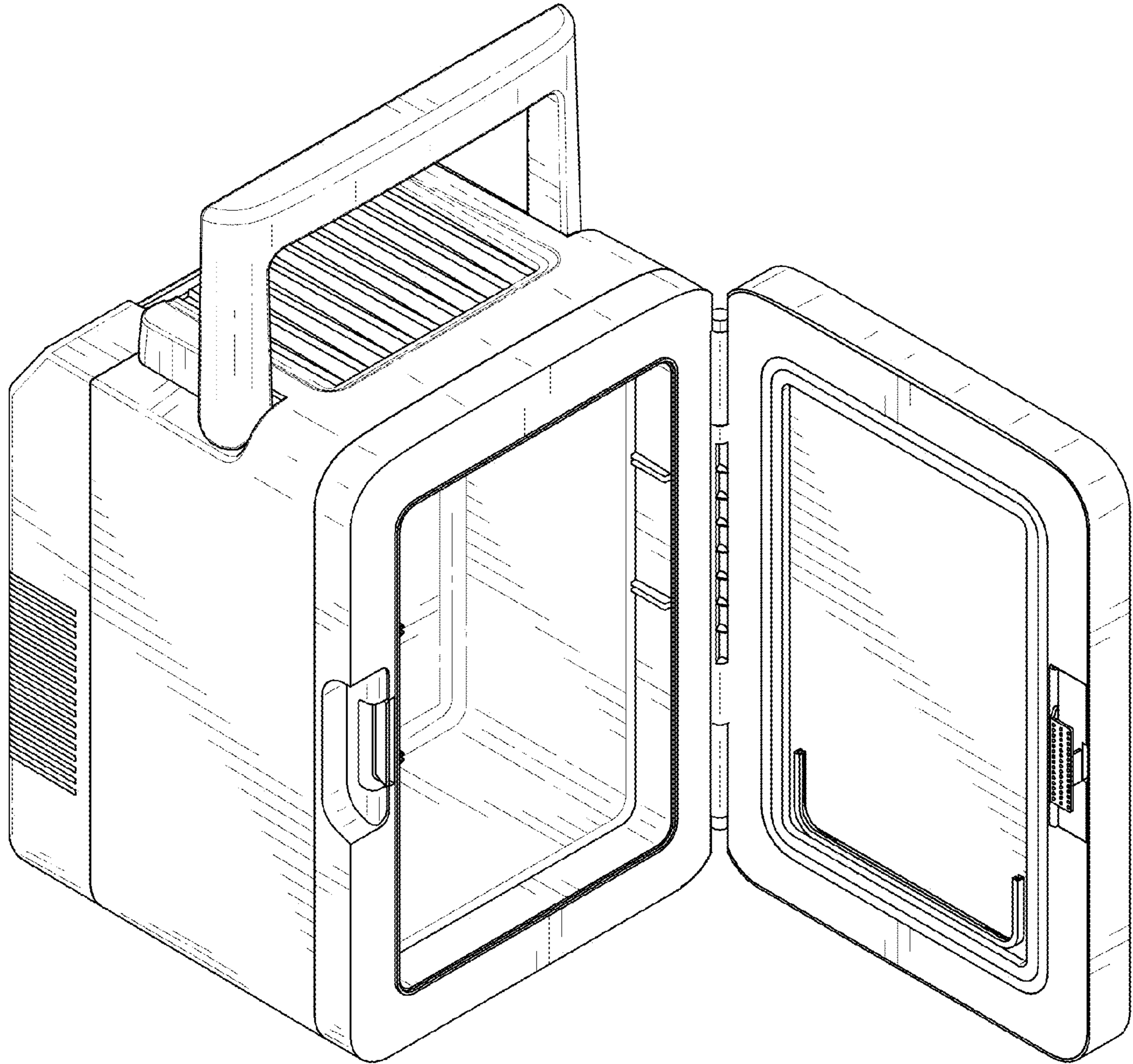


FIG. 11

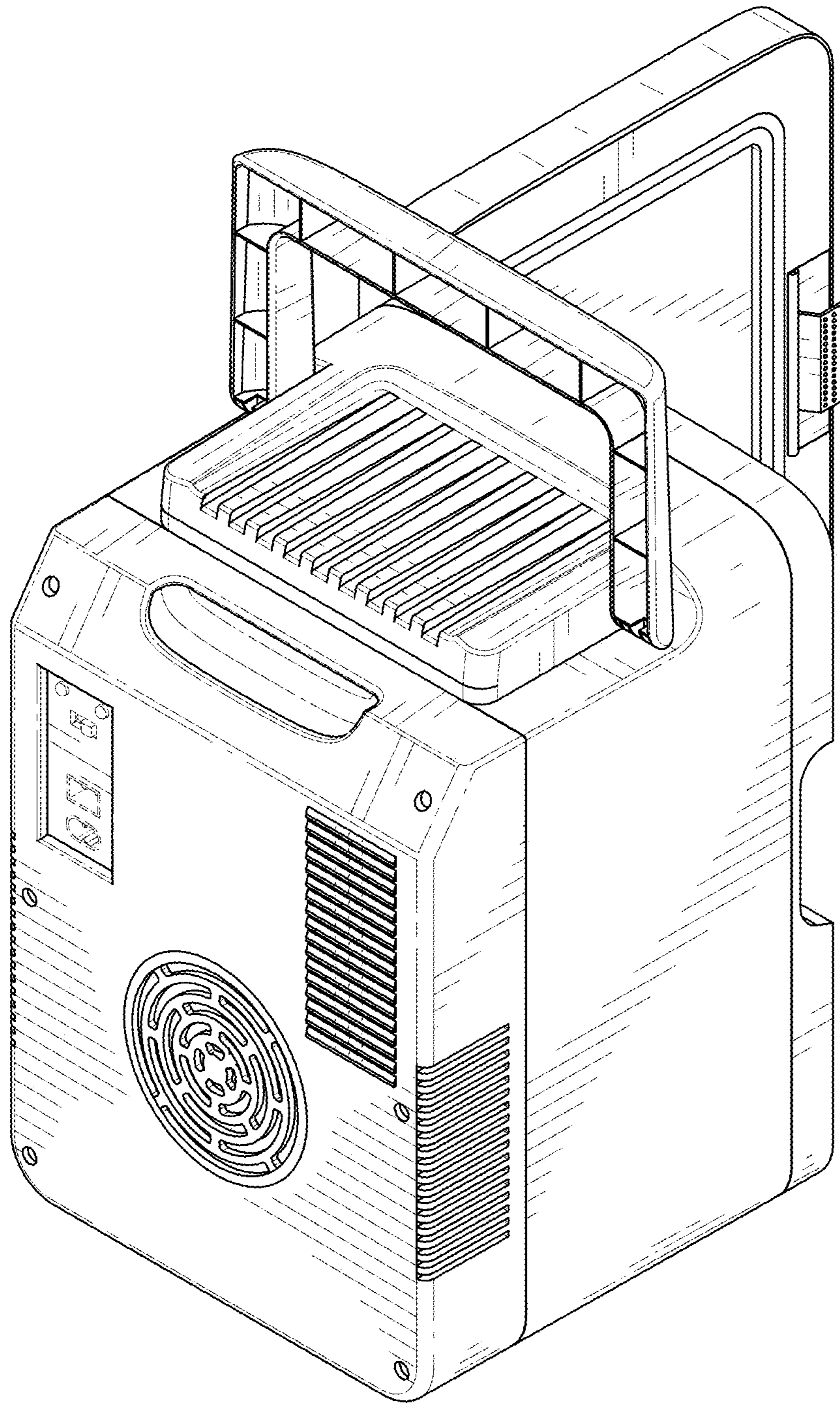


FIG. 12