



US00D930715S

(12) **United States Design Patent**  
**Smith**

(10) **Patent No.:** **US D930,715 S**

(45) **Date of Patent:** **\*\* Sep. 14, 2021**

(54) **TIRE-SHAPED REFRIGERATOR**

(71) Applicant: **4 Sizzle LLC**, Stateline, NV (US)

(72) Inventor: **Aaron Smith**, Hangzhou Zhejiang (CN)

(73) Assignee: **4 SIZZLE LLC**, Stateline, NV (US)

(\*\*) Term: **15 Years**

(21) Appl. No.: **29/711,742**

(22) Filed: **Nov. 1, 2019**

(51) **LOC (13) Cl.** ..... **15-07**

(52) **U.S. Cl.**

USPC ..... **D15/81; D15/88**

(58) **Field of Classification Search**

USPC ..... D15/79, 80, 81, 82, 83, 84, 85, 86, 87,  
D15/88, 89, 90, 91; D6/657, 659;  
D3/304, 307; D12/204, 207, 208, 500,  
D12/501, 502  
CPC ..... F25C 2400/10; F25D 2400/10; F25D  
2400/12; F25D 2400/14; F25D 2400/18;  
G05B 2219/2654; G09F 23/0058; Y10S  
292/71

See application file for complete search history.

(56) **References Cited**

**U.S. PATENT DOCUMENTS**

D681,073 S \* 4/2013 Kilduff ..... D15/82  
D711,932 S \* 8/2014 Kilduff ..... D15/82  
D741,379 S \* 10/2015 Esarey ..... D15/82  
D800,799 S \* 10/2017 Feng ..... D15/81

D807,929 S \* 1/2018 Feng ..... D15/81  
D896,856 S \* 9/2020 Zhou ..... D15/81  
D919,678 S \* 5/2021 Yang ..... D15/81

**OTHER PUBLICATIONS**

“Portable Coca-Cola Fridges & Warmers” [online]. retroplanet.com. [Retrieved on Jun. 17, 2021]. Retrieved from the Internet: <<https://blog.retroplanet.com/portable-coca-cola-fridges-warmers/>>.\*

\* cited by examiner

*Primary Examiner* — Mojtaba Tehrani

(74) *Attorney, Agent, or Firm* — Mitchell Law PLLC; Matthew W. Mitchell

(57) **CLAIM**

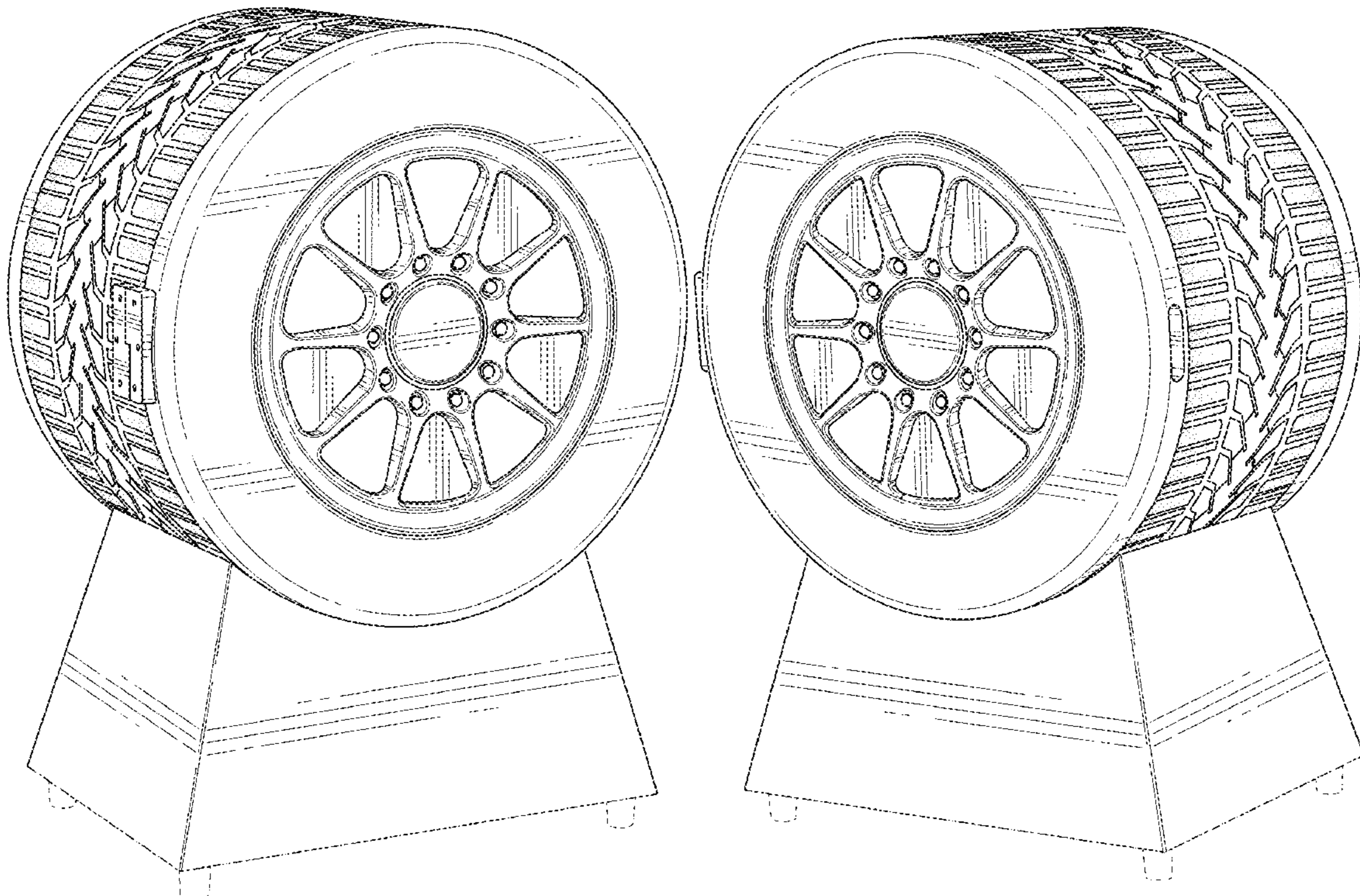
The ornamental design for a tire-shaped refrigerator, as shown and described.

**DESCRIPTION**

FIG. 1 is a front perspective view of the tire-shaped refrigerator of the present invention;  
FIG. 2 is a second front perspective view thereof;  
FIG. 3 is a front view thereof;  
FIG. 4 is a rear view thereof;  
FIG. 5 is a left-side view thereof;  
FIG. 6 is a right side view thereof;  
FIG. 7 is a top plan view thereof; and,  
FIG. 8 is a bottom plan view thereof.

The dot-dashed broken lines represent boundaries to disclaim the bottom surface of the tire-shaped refrigerator, while the broken lines represent unclaimed subject matter.

**1 Claim, 8 Drawing Sheets**



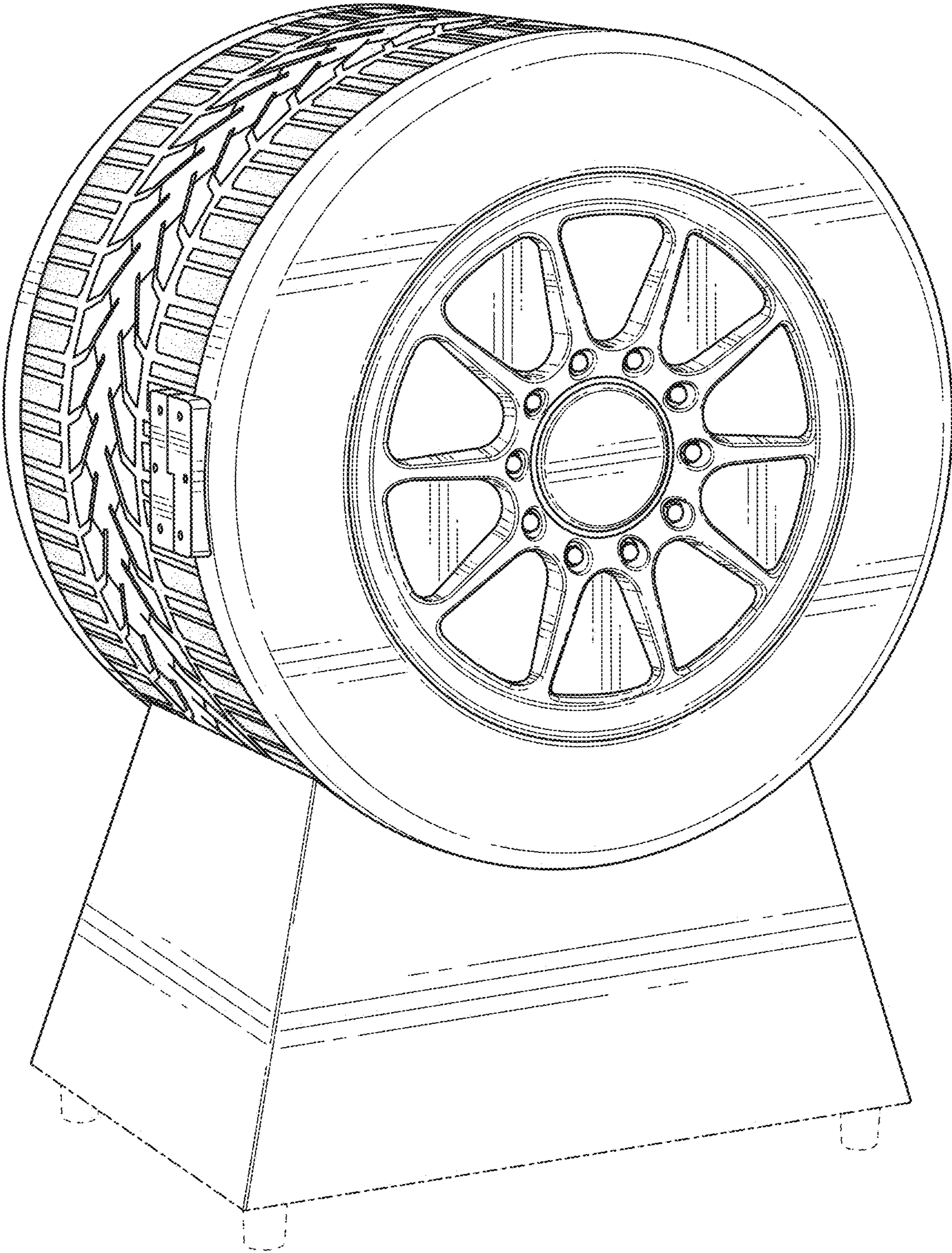


FIG. 1

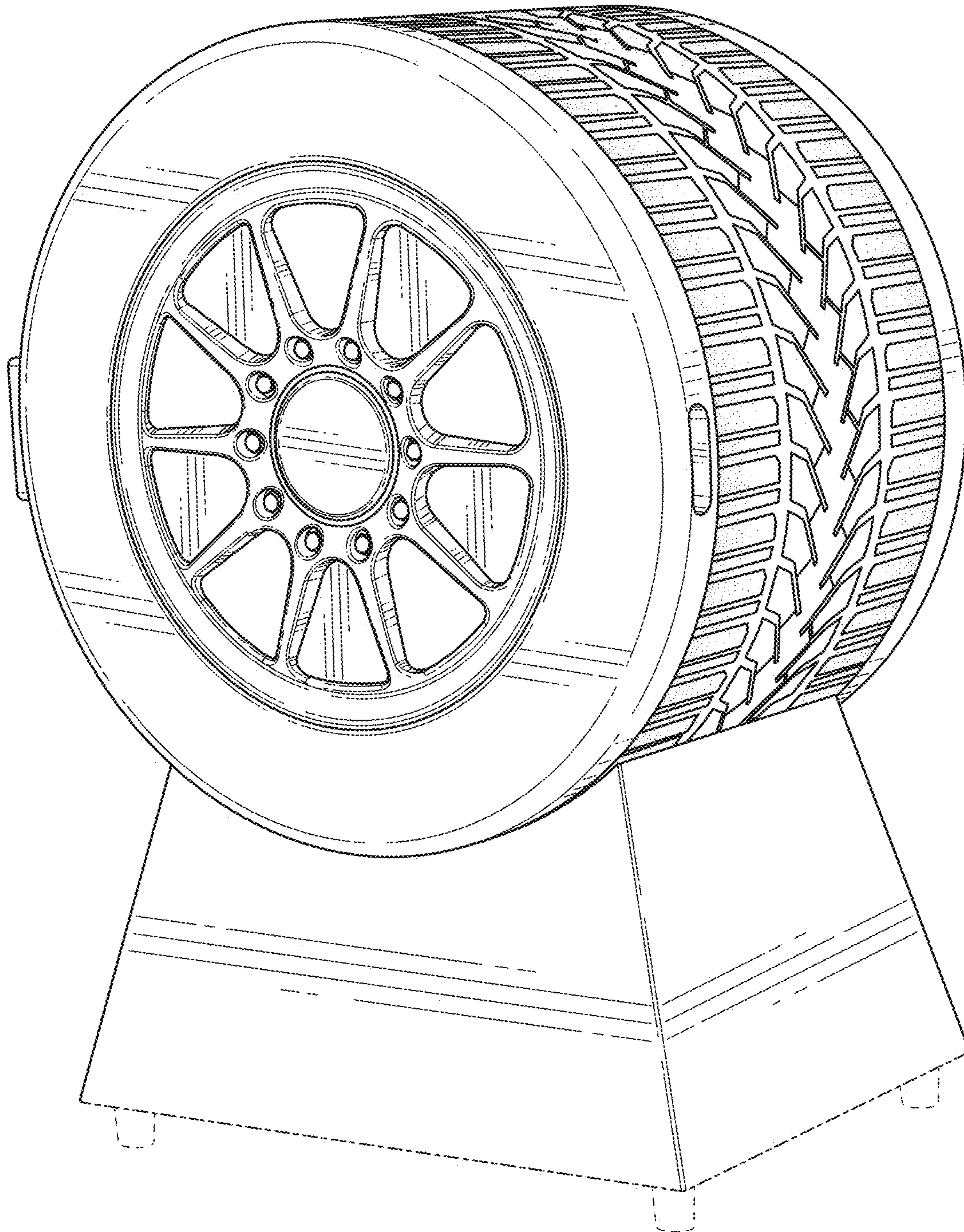


FIG. 2

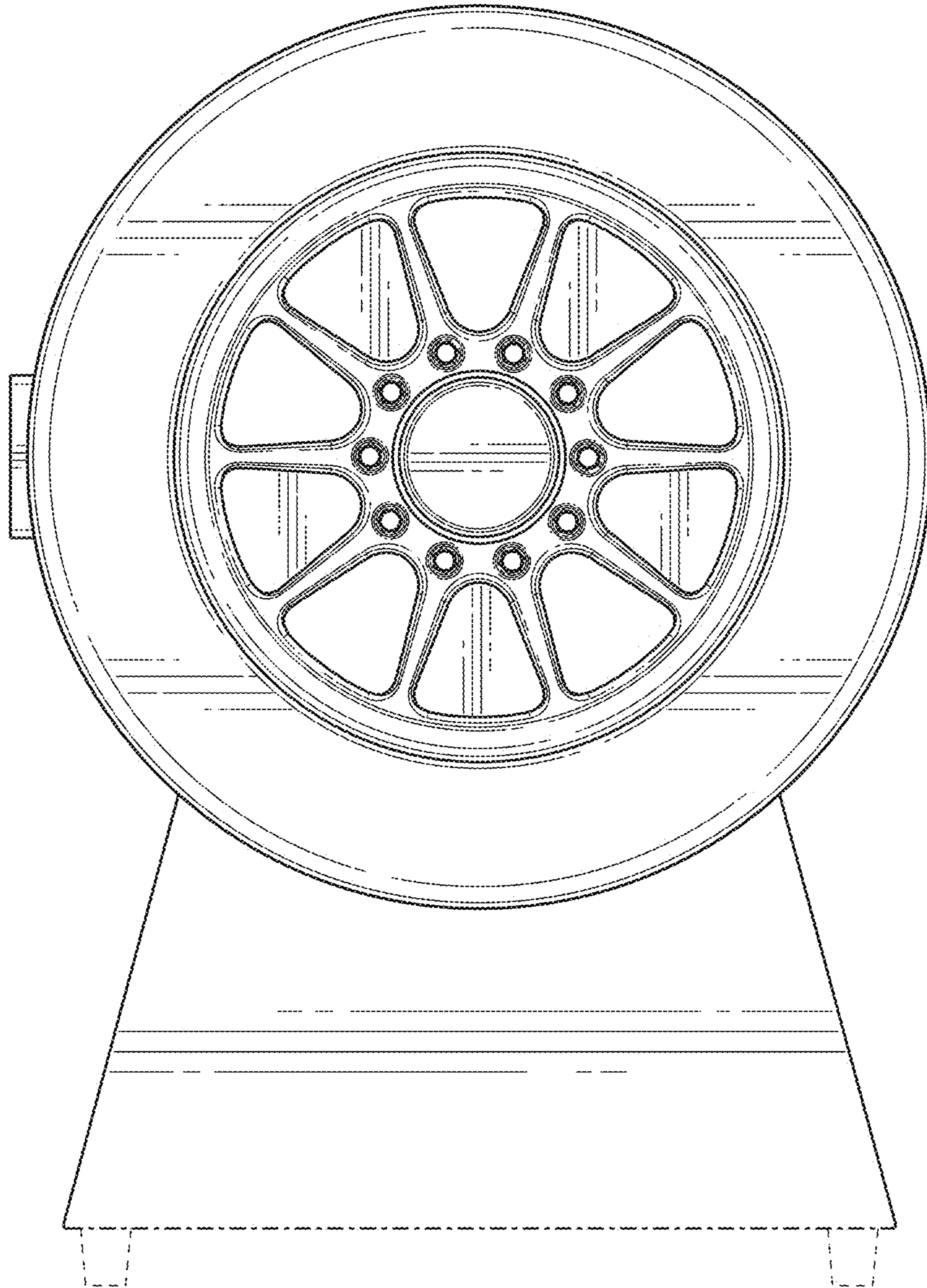


FIG. 3

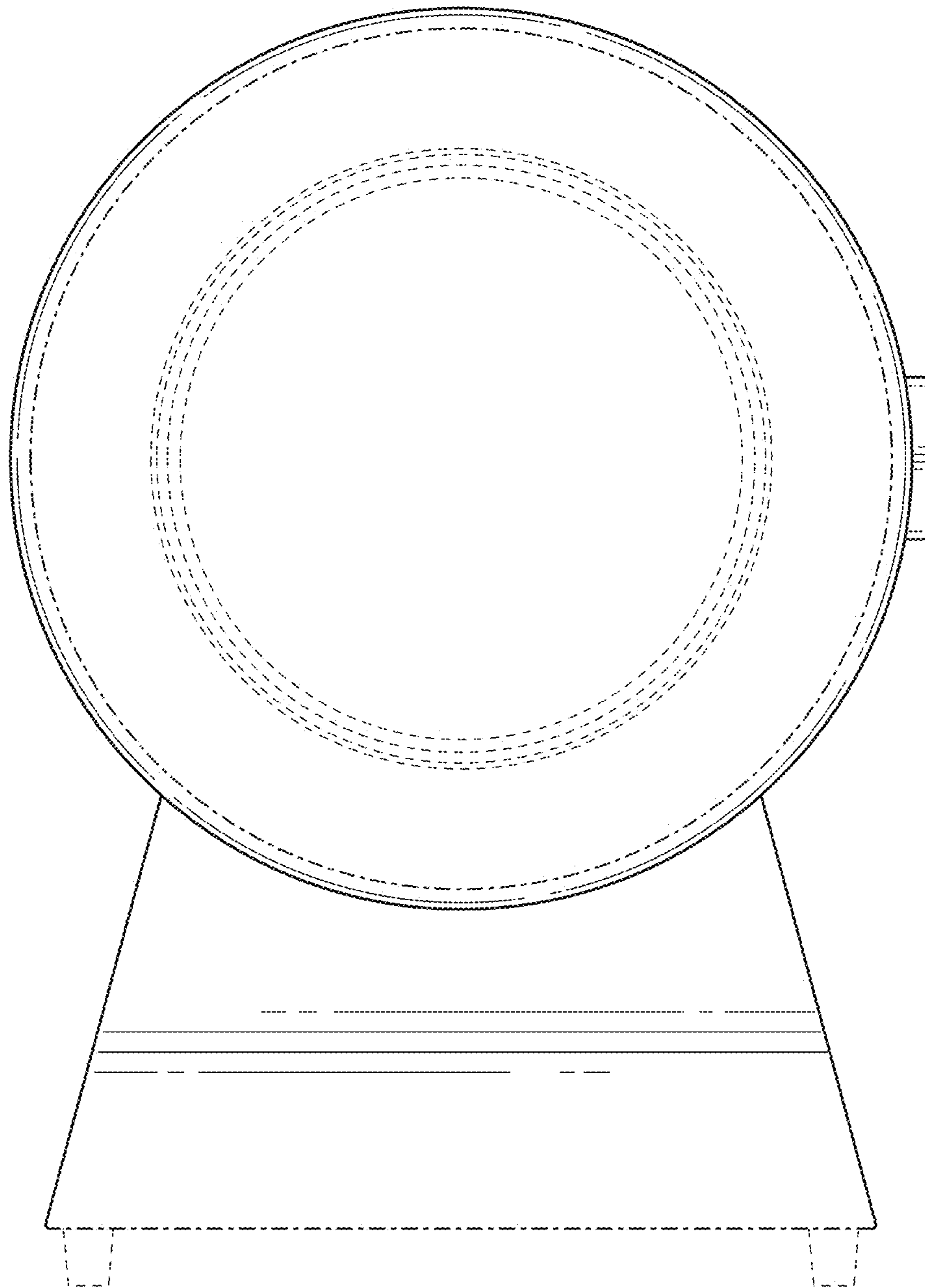


FIG. 4

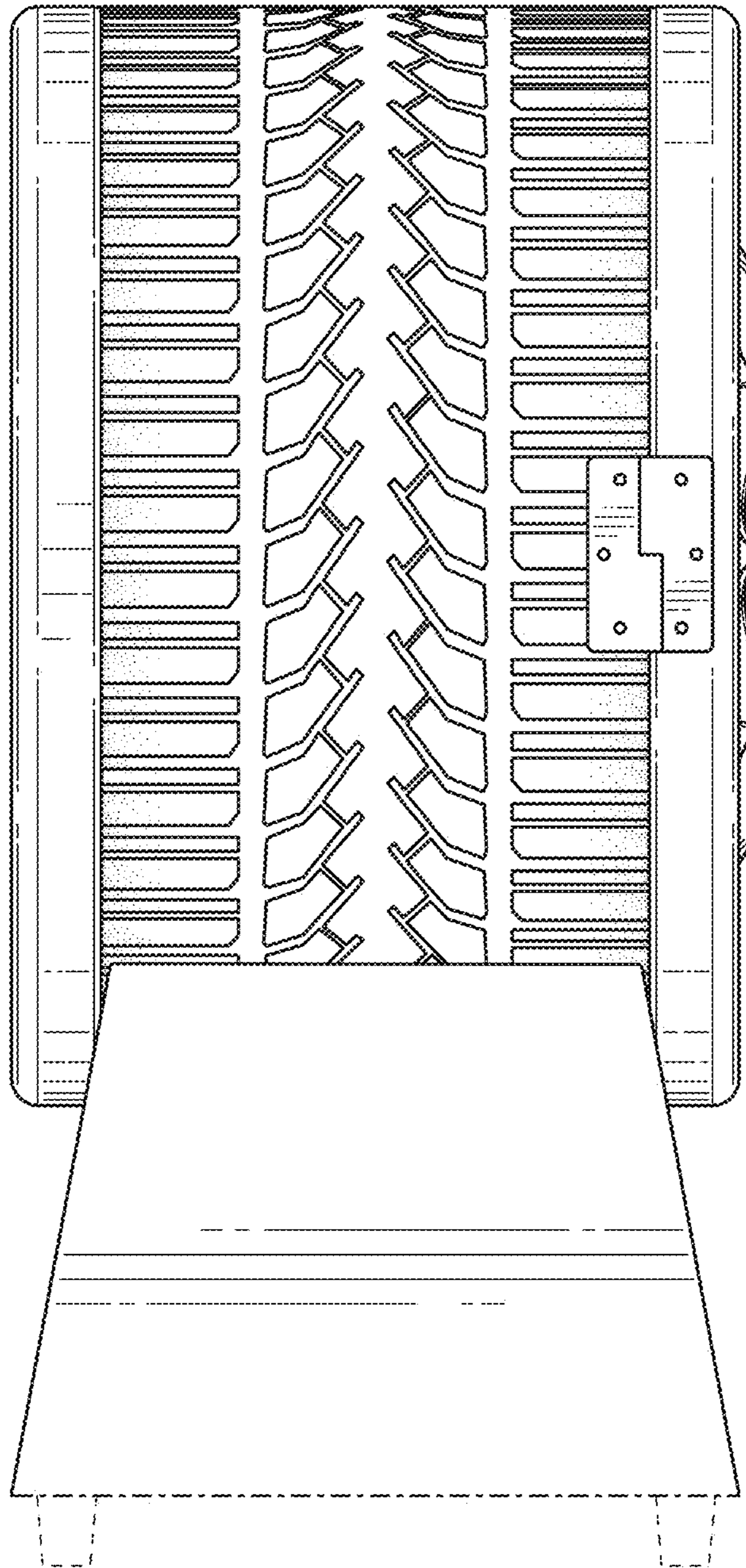


FIG. 5

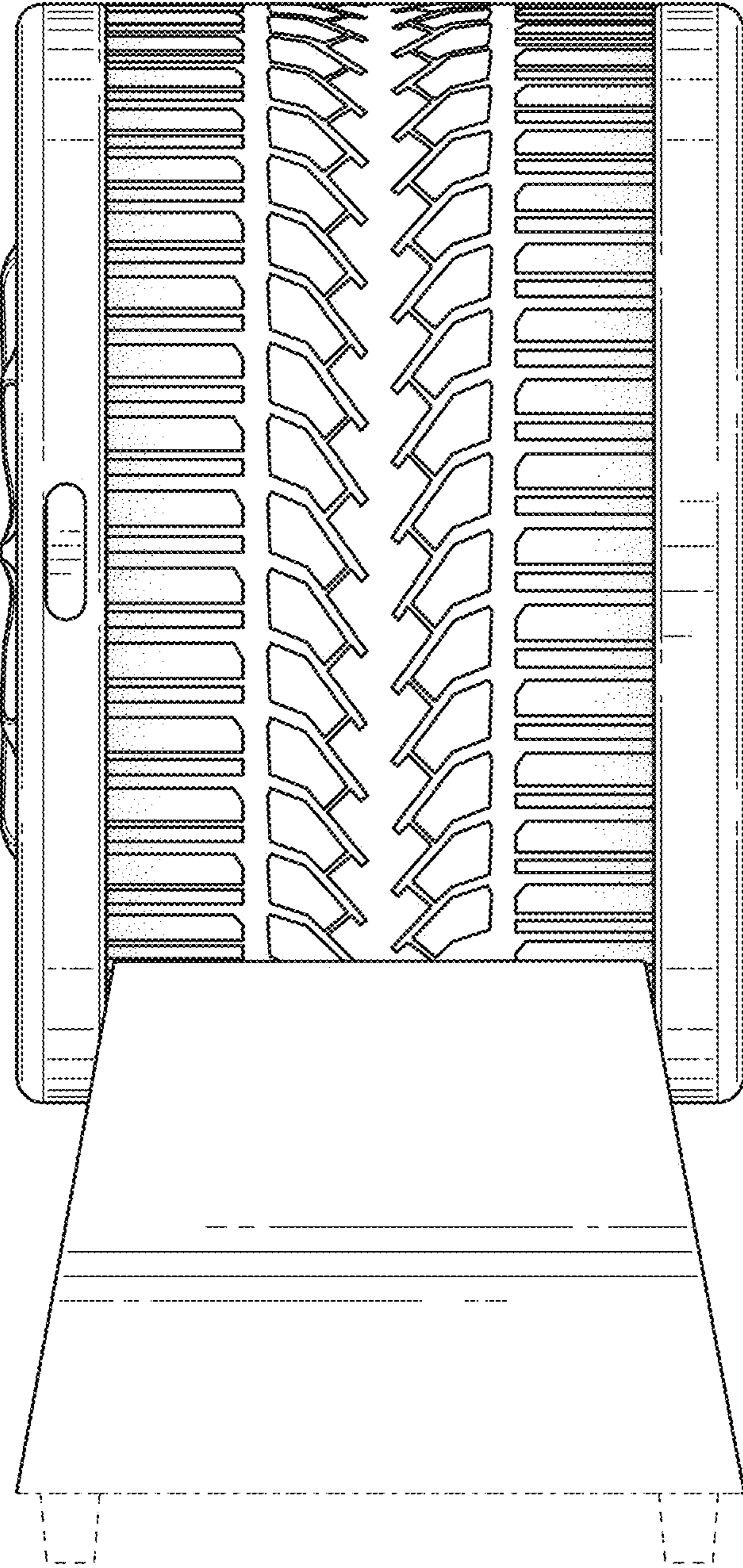


FIG. 6

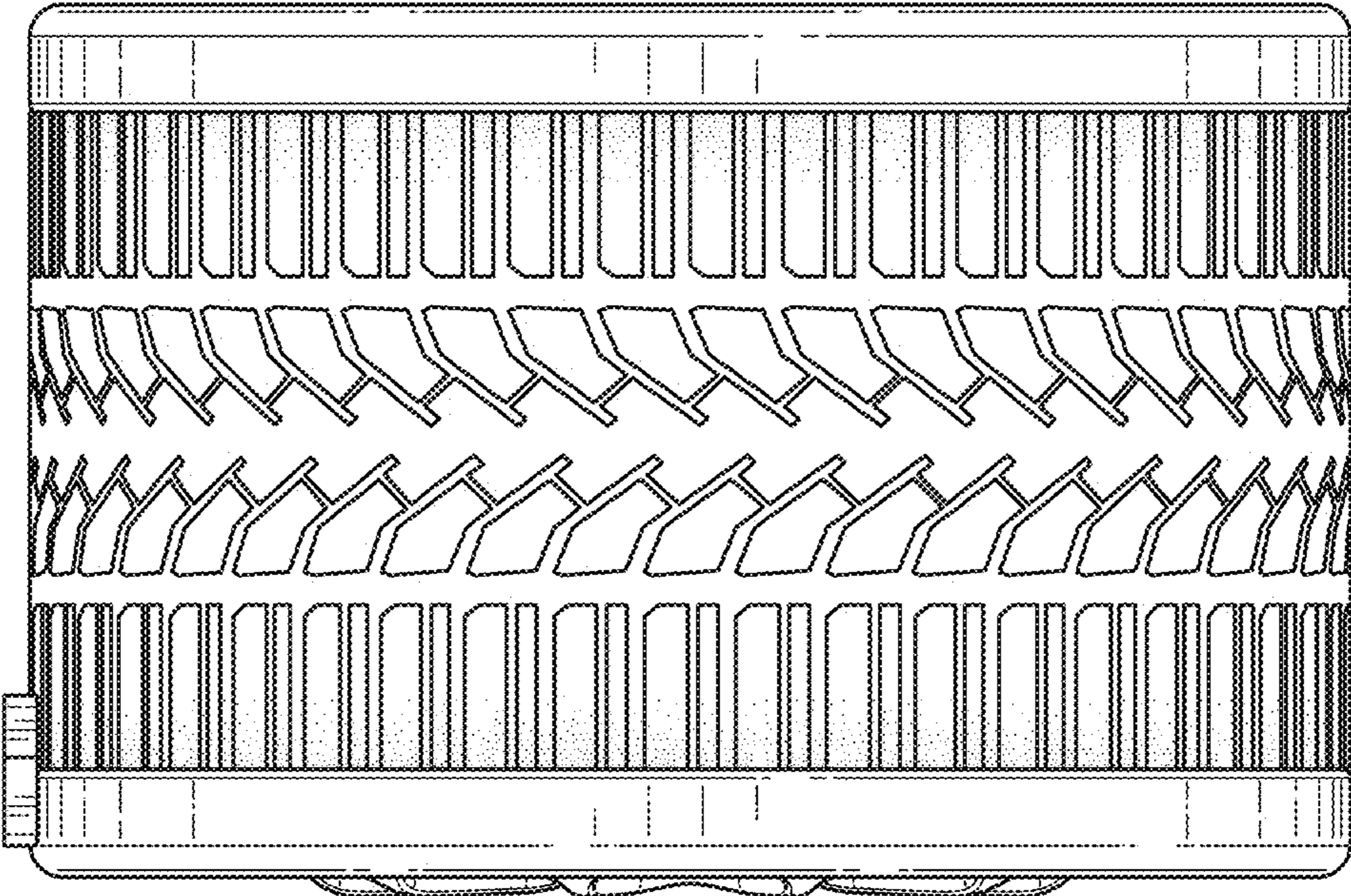


FIG. 7



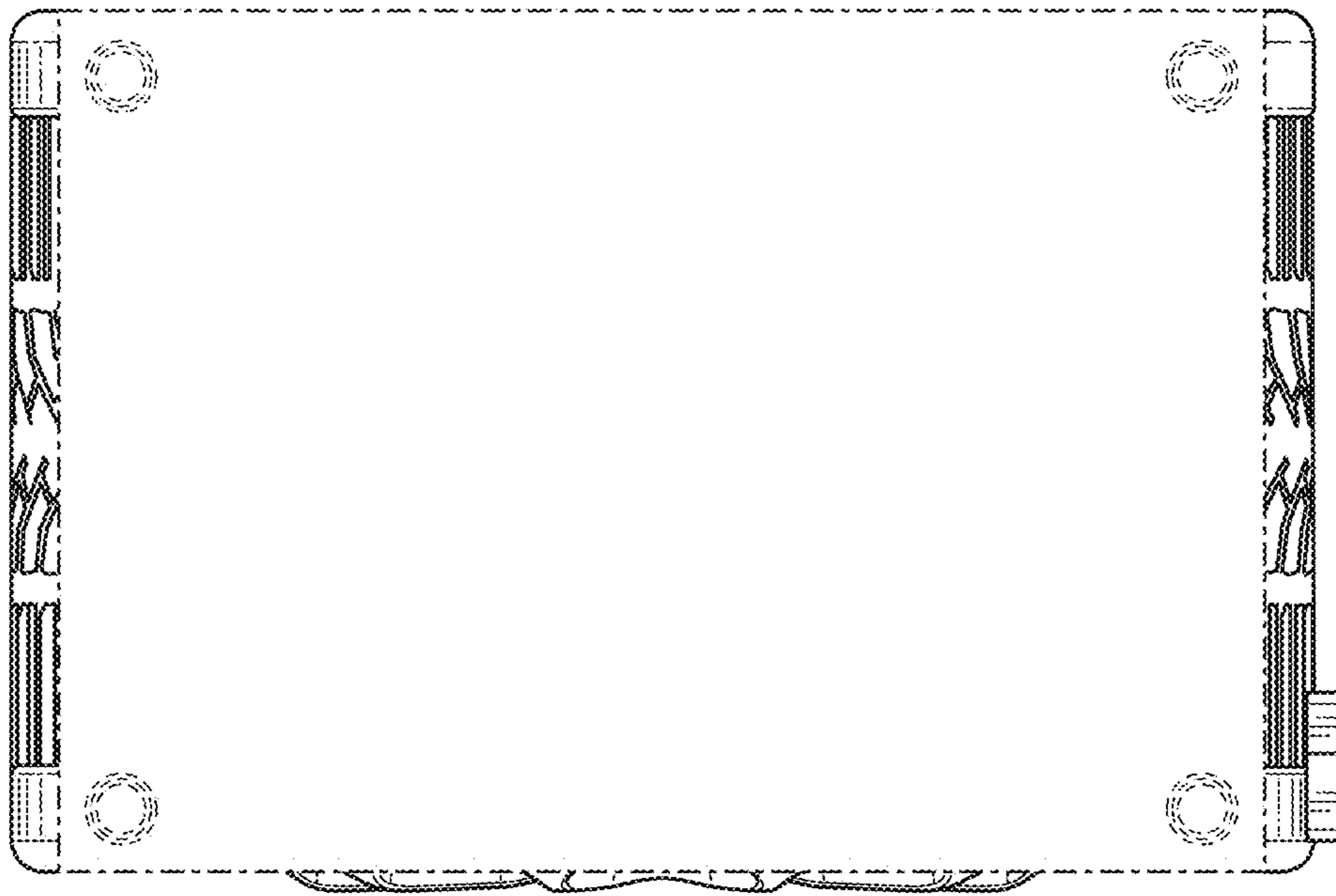


FIG. 8