



US00D930714S

(12) **United States Design Patent** (10) **Patent No.:** **US D930,714 S**  
**Lee et al.** (45) **Date of Patent:** **\*\* Sep. 14, 2021**

- (54) **HOOD OF A CONSTRUCTION MACHINE**
- (71) Applicant: **CNH Industrial America LLC**, New Holland, PA (US)
- (72) Inventors: **James Lee**, Bolingbrook, IL (US); **Russell Meyer**, Crystal Lake, IL (US); **William Venth**, Chicago, IL (US)
- (73) Assignee: **CNH Industrial America LLC**, New Holland, PA (US)
- (\*\*) Term: **15 Years**
- (21) Appl. No.: **29/726,627**
- (22) Filed: **Mar. 4, 2020**
- (51) **LOC (13) Cl.** ..... **15-03**
- (52) **U.S. Cl.**  
USPC ..... **D15/31**
- (58) **Field of Classification Search**  
USPC ..... D15/10, 11, 13-17, 28, 22-26, 30, 31;  
D12/173; 56/13.3, 13.4, 15.8, 15.9,  
56/320.1; 180/89.1, 89.12, 900, 69.2,  
180/68.1, 69.1  
CPC ..... B62D 49/00-085; B62D 25/10;  
B62D 25/00; B60R 19/52; B60R 21/38  
See application file for complete search history.

- D714,838 S \* 10/2014 Shimomura ..... D15/31
- D716,846 S \* 11/2014 Carter ..... D15/31
- D720,371 S \* 12/2014 Furukawa ..... D15/31
- D733,767 S \* 7/2015 Kushita ..... D15/31
- D753,194 S \* 4/2016 Jackson ..... D15/31
- D753,195 S \* 4/2016 Jackson ..... D15/31
- D757,826 S \* 5/2016 Hartz ..... D15/31
- D759,129 S \* 6/2016 Kushita ..... D15/31
- D760,815 S \* 7/2016 Okuyama ..... D15/31
- D765,740 S \* 9/2016 Jackson ..... D15/31
- D766,340 S \* 9/2016 Jackson ..... D15/31
- D766,341 S \* 9/2016 Jacobsthal ..... D15/31
- D768,210 S \* 10/2016 Jacobsthal ..... D15/31
- D777,220 S \* 1/2017 Powell ..... D15/31
- D778,963 S \* 2/2017 Yang ..... D15/31
- D785,681 S \* 5/2017 Okuyama ..... D15/31
- D804,539 S \* 12/2017 Okuyama ..... D15/31
- D837,837 S \* 1/2019 Park ..... D15/31
- D843,421 S \* 3/2019 Gonzales ..... D15/31
- D854,056 S \* 7/2019 Futagami ..... D15/31

\* cited by examiner

*Primary Examiner* — Mark A Goodwin  
(74) *Attorney, Agent, or Firm* — Peter Zacharias; Patrick Sheldrake

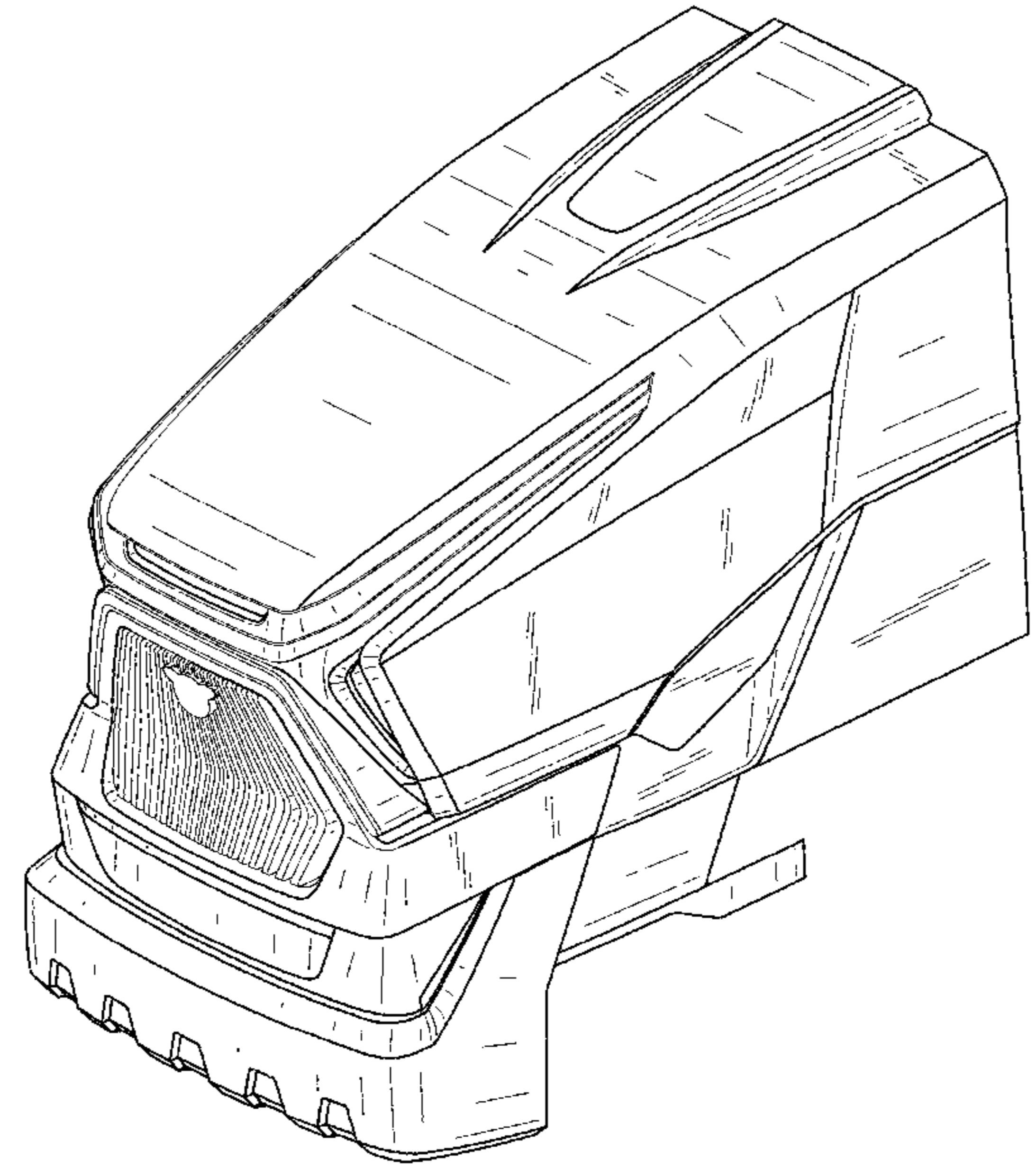
(57) **CLAIM**  
The ornamental design for a hood of a construction machine, as shown and described.

**DESCRIPTION**

FIG. 1 is a perspective view of a hood of a construction machine, such as a tractor loader backhoe, in accordance with a first embodiment of the present design.  
FIG. 2 is a front view of the hood of FIG. 1.  
FIG. 3 is a rear view of the hood of FIG. 1.  
FIG. 4 is a left side view of the hood of FIG. 1.  
FIG. 5 is a right side view of the hood of FIG. 1.  
FIG. 6 is a top view of the hood of FIG. 1; and,  
FIG. 7 is a bottom view of the hood of FIG. 1.

**1 Claim, 7 Drawing Sheets**

- (56) **References Cited**  
U.S. PATENT DOCUMENTS
- D557,714 S \* 12/2007 Higashikawa ..... D15/31
- D558,799 S \* 1/2008 Higashikawa ..... D15/31
- D570,382 S \* 6/2008 Higashikawa ..... D15/31
- D574,022 S \* 7/2008 Higashikawa ..... D15/31
- D591,777 S \* 5/2009 Kokitkar ..... D15/31
- D631,489 S \* 1/2011 Booth ..... D15/31
- D675,233 S \* 1/2013 Kushita ..... D15/31
- D706,841 S \* 6/2014 Shimomura ..... D15/31
- D707,729 S \* 6/2014 Jackson ..... D15/31



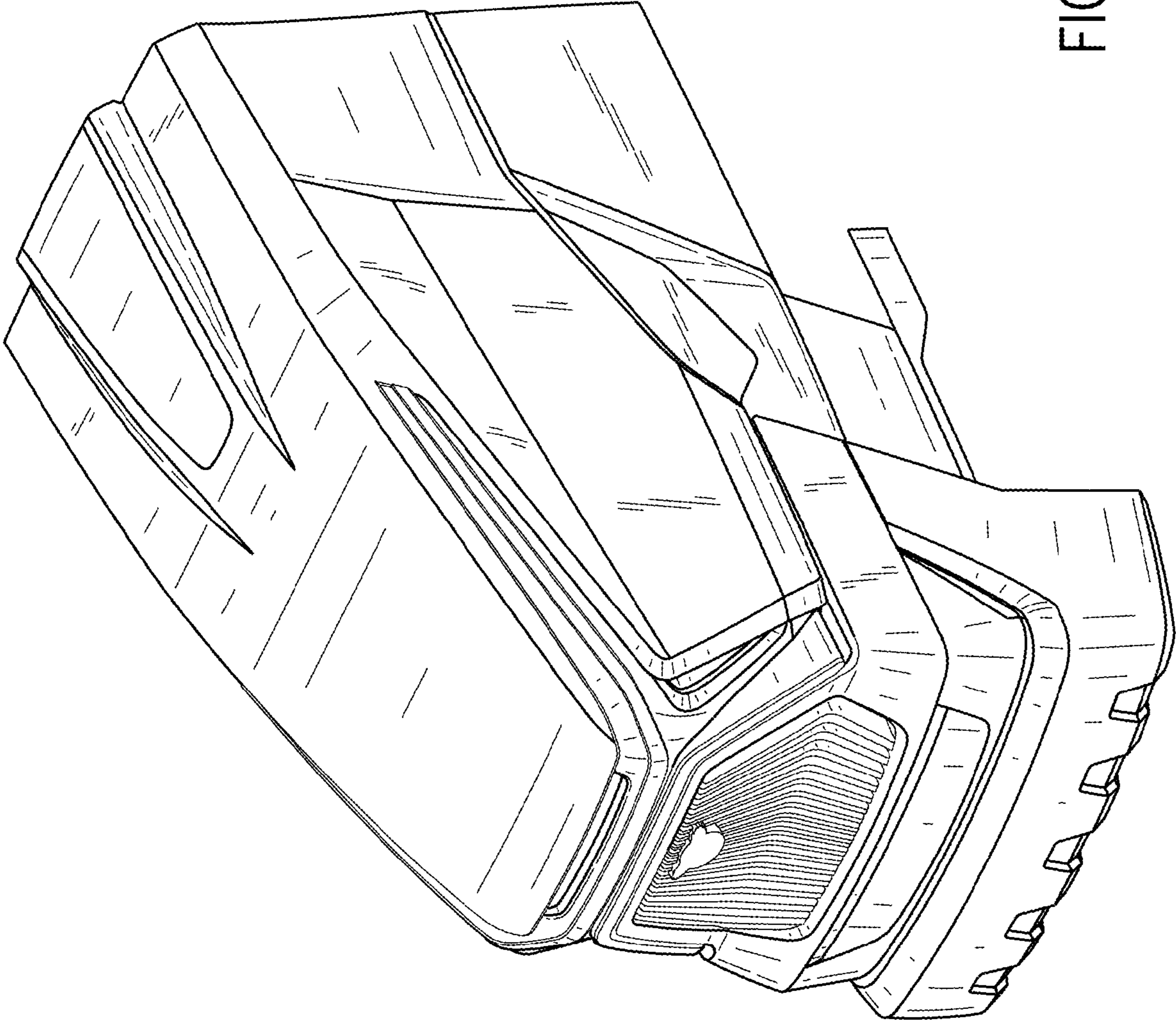


FIG. 1

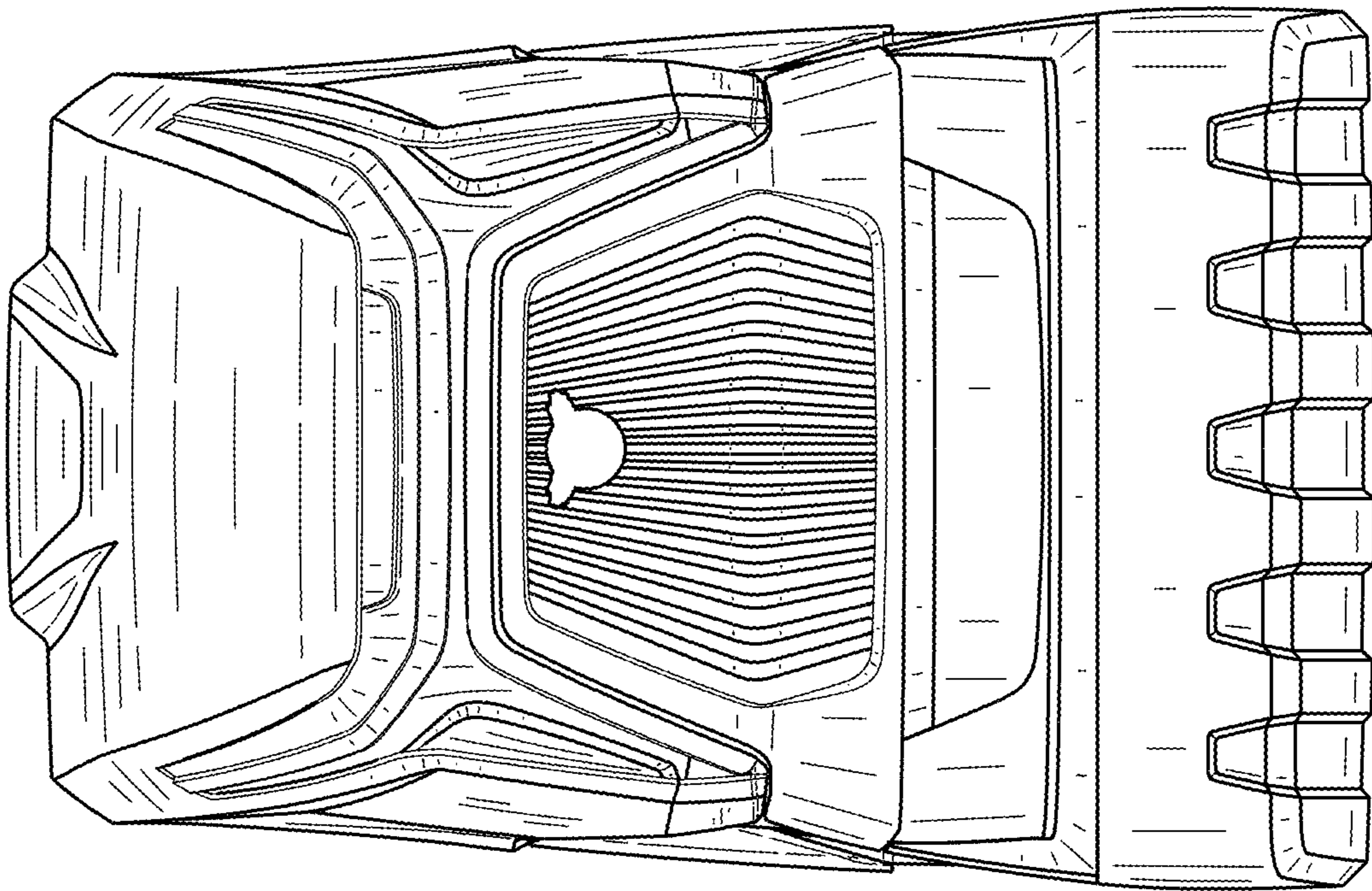


FIG. 2

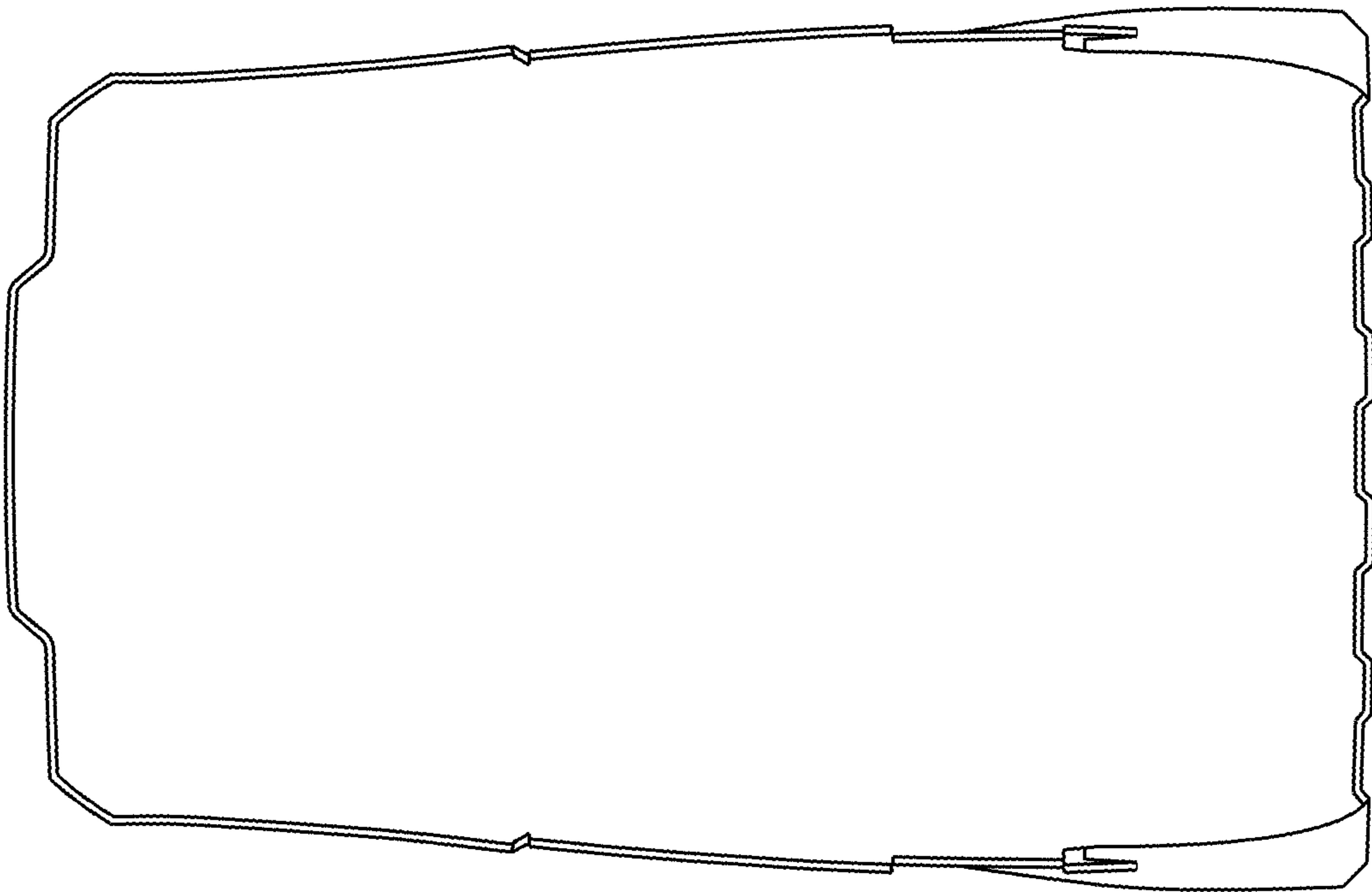


FIG. 3

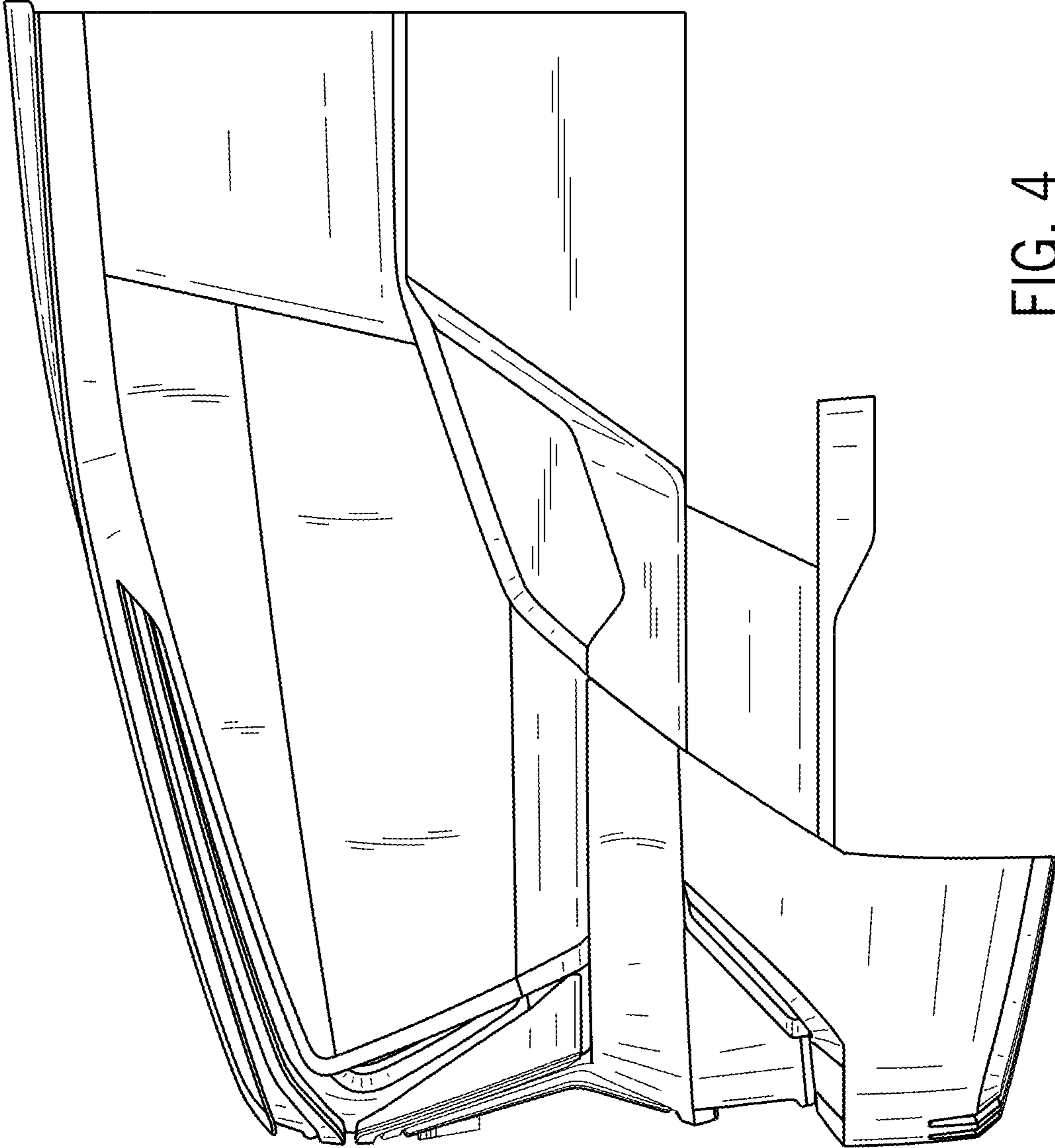


FIG. 4

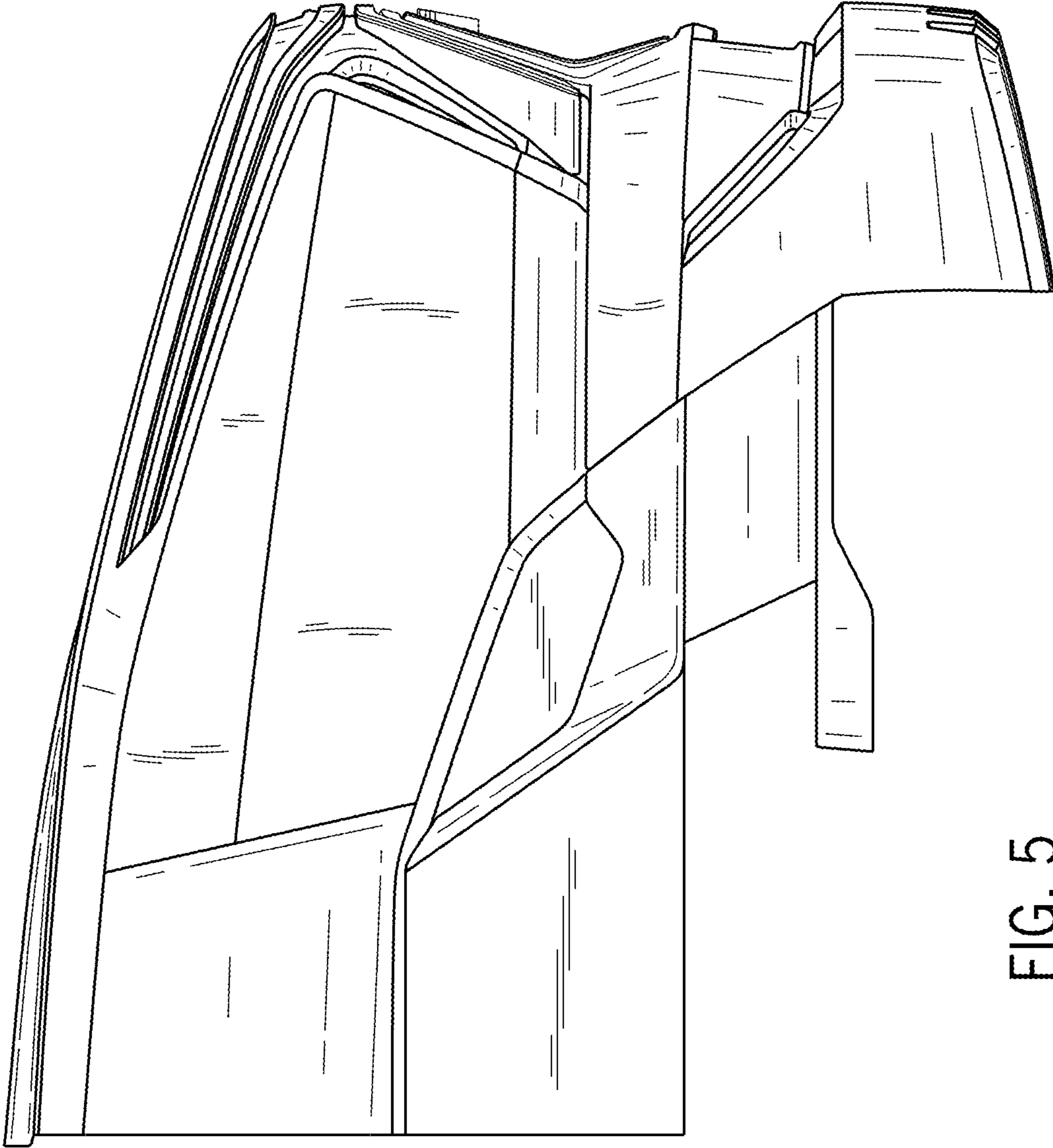


FIG. 5

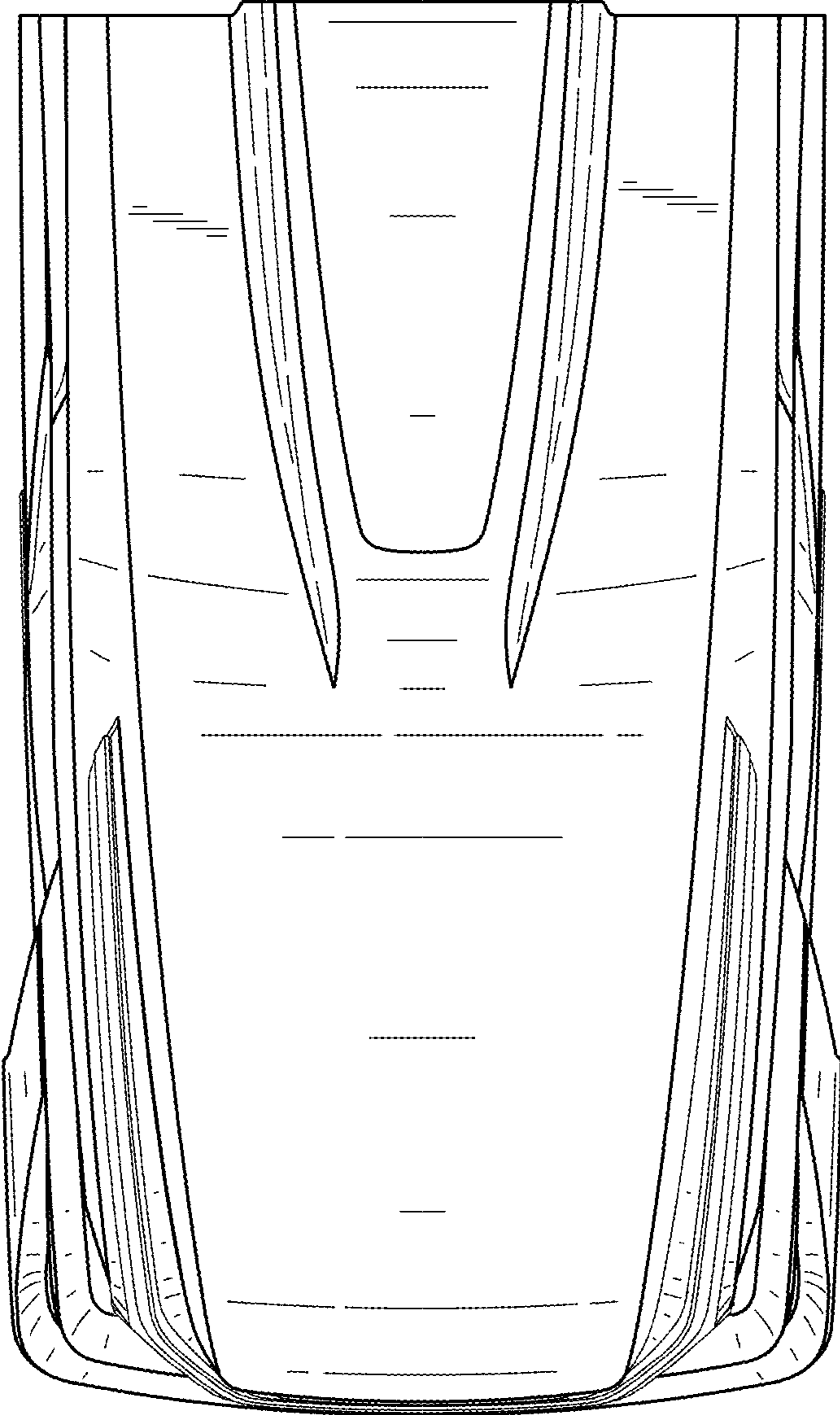


FIG. 6

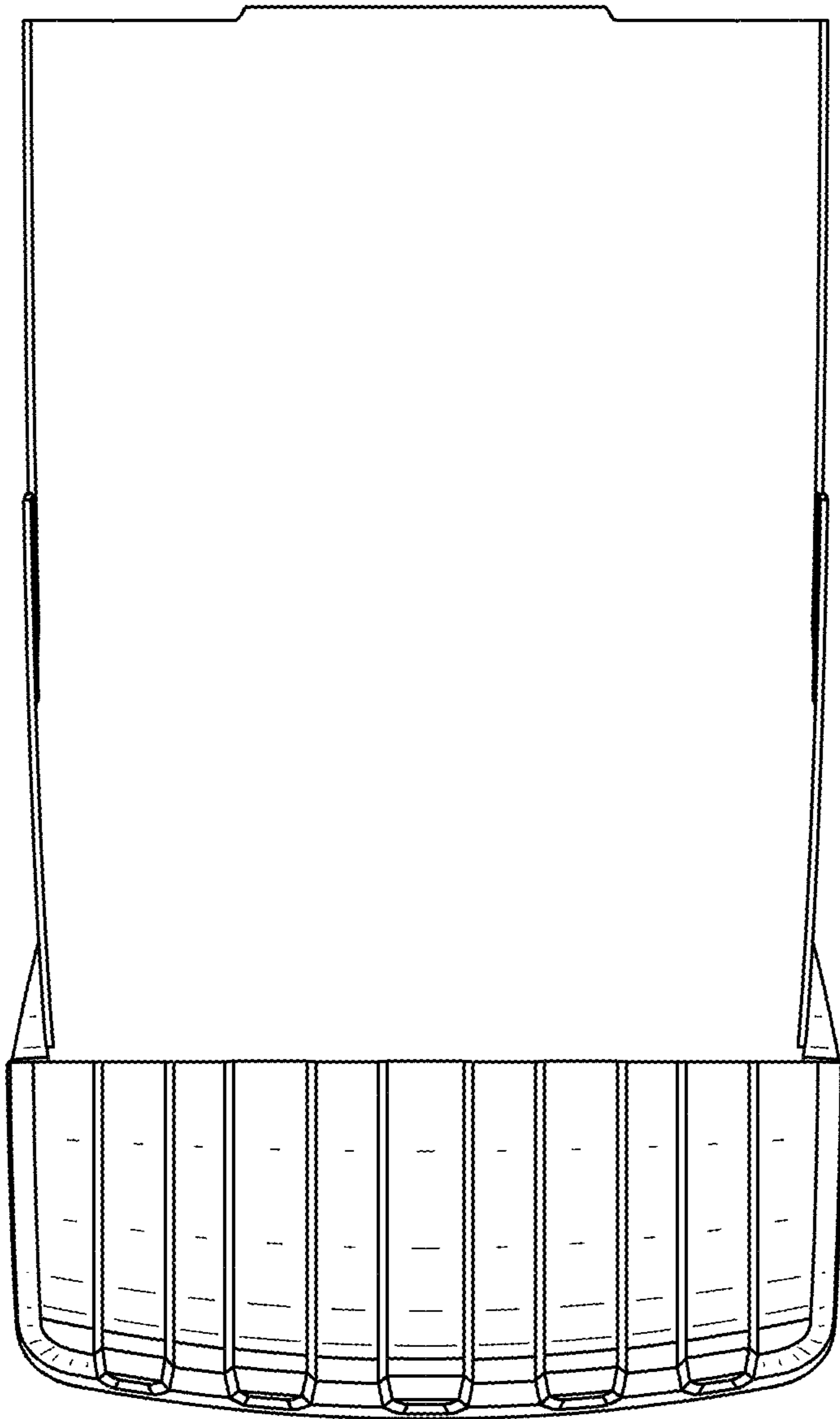


FIG. 7