



US00D930712S

(12) **United States Design Patent** (10) **Patent No.:** **US D930,712 S**
Freiberg (45) **Date of Patent:** **** Sep. 14, 2021**

(54) **COMPRESSOR**

- (71) Applicant: **BITZER Kuehlmaschinenbau GmbH**, Sindelfingen (DE)
- (72) Inventor: **Marcel Freiberg**, Naunhof (DE)
- (73) Assignee: **BITZER Kuehlmaschinenbau GmbH**, Sindelfingen (DE)
- (**) Term: **15 Years**
- (21) Appl. No.: **29/752,860**
- (22) Filed: **Sep. 29, 2020**

Related U.S. Application Data

- (62) Division of application No. 29/687,635, filed on Apr. 15, 2019.

(30) **Foreign Application Priority Data**

- Oct. 15, 2018 (EM) 005798626
 - Oct. 15, 2018 (EM) 005798626-0001
- (Continued)

- (51) **LOC (13) Cl.** **15-02**
 - (52) **U.S. Cl.**
USPC **D15/9**
 - (58) **Field of Classification Search**
USPC D15/7-9; D24/111; D13/103; D23/231,
D23/232, 225
- (Continued)

(56) **References Cited**

U.S. PATENT DOCUMENTS

- D394,068 S 5/1998 Pollrich et al.
 - D467,254 S 12/2002 Ullrich
- (Continued)

OTHER PUBLICATIONS

Bitzer, Ecoline+ Transcritical, (site visited Nov. 2, 2020), Bitzer Website, URL:<<https://www.bitzer.de/gb/en/reciprocating-compressors/ecoline-1-transcritical/>> (Year: 2020).*

(Continued)

Primary Examiner — Sheryl Lane
Assistant Examiner — Mark T. Philipps
 (74) *Attorney, Agent, or Firm* — Reinhart Boerner Van Deuren P.C.

(57) **CLAIM**

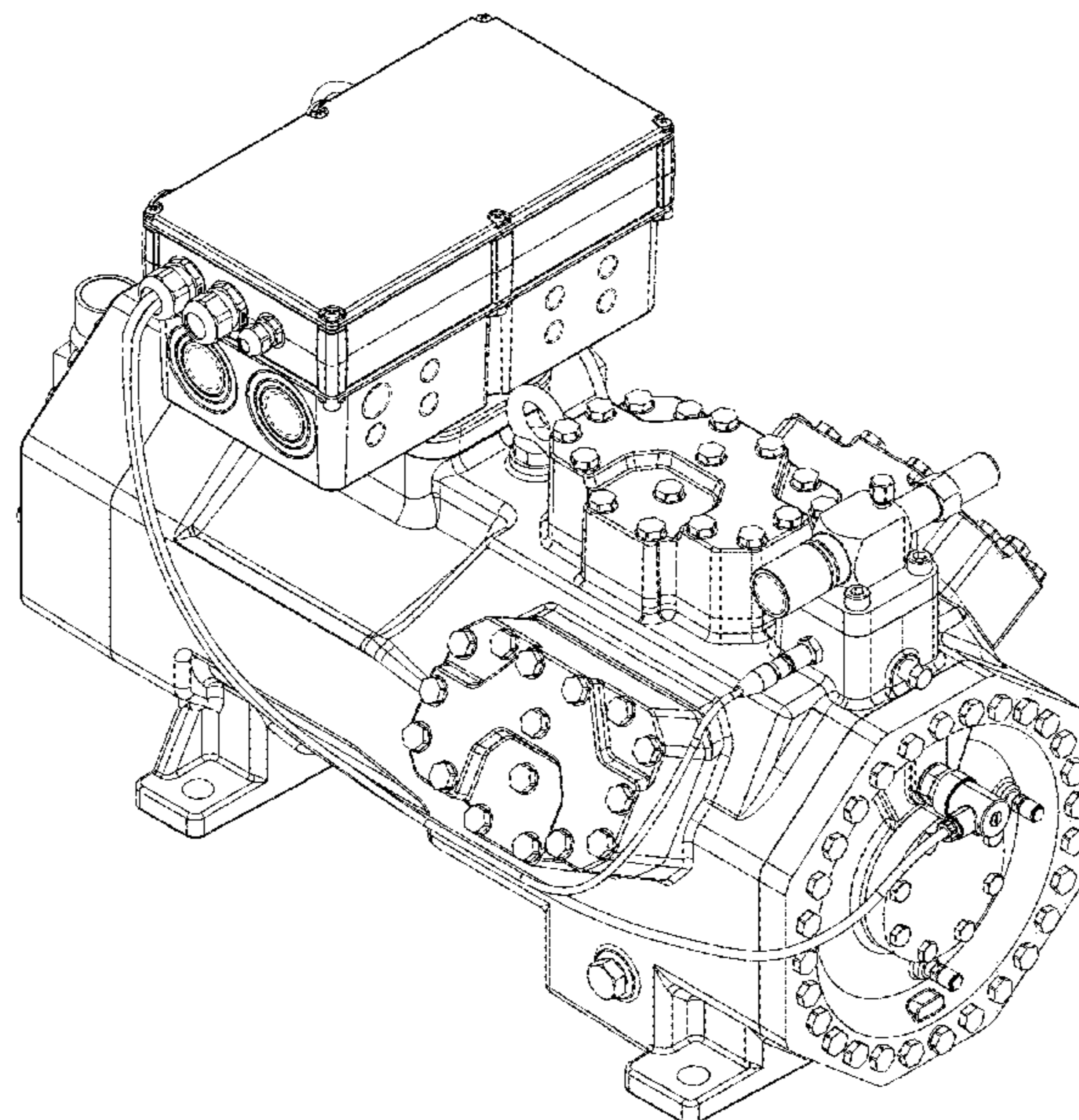
I claim the ornamental design for a compressor, as shown and described.

DESCRIPTION

FIG. 1 is a perspective view from front and left hand of a compressor according to a first embodiment of the present invention;
 FIG. 2 is a left side view of the compressor of FIG. 1;
 FIG. 3 is a right side view of the compressor of FIG. 1;
 FIG. 4 is a top view of the compressor of FIG. 1;
 FIG. 5 is a bottom view of the compressor of FIG. 1;
 FIG. 6 is a rear view of the compressor of FIG. 1;
 FIG. 7 is a front view of the compressor of FIG. 1;
 FIG. 8 is a perspective view from front and left hand of a compressor according to a second embodiment of the present invention;
 FIG. 9 is a left side view of the compressor of FIG. 8;
 FIG. 10 is a right side view of the compressor of FIG. 8;
 FIG. 11 is a top view of the compressor of FIG. 8;
 FIG. 12 is a bottom view of the compressor of FIG. 8;
 FIG. 13 is a rear view of the compressor of FIG. 8; and,
 FIG. 14 is a front view of the compressor of FIG. 8.

The broken lines shown in the Figures are included for the purpose of illustrating portions of the compressor which form no part of the claimed design.

1 Claim, 14 Drawing Sheets



(30) Foreign Application Priority Data

Oct. 15, 2018 (EM) 005798626-0003
 Oct. 15, 2018 (EM) 005798626-0005

(58) Field of Classification Search

CPC F04B 35/04; F04B 41/02; F04B 41/00;
 F04B 35/06; F04B 39/12; F04B 23/00;
 F04B 23/02; F04B 53/92; F04B 1/005;
 F04B 39/14; F04B 39/121; F02M 37/04;
 F02M 37/14; F04C 23/001; F04C 21/007;
 F04C 18/0207; F04C 29/12; F04C 29/04

See application file for complete search history.

(56) References Cited

U.S. PATENT DOCUMENTS

D479,247 S * 9/2003 Ullrich D15/9
 D531,194 S 10/2006 Hertenstein et al.
 D538,826 S 3/2007 Kienzle
 D595,748 S 7/2009 Kratschmer
 D684,197 S * 6/2013 Kienzle D15/9
 D690,324 S 9/2013 Kienzle et al.
 D709,524 S * 7/2014 Ohser D15/9
 D717,344 S 11/2014 Ohser et al.
 D720,778 S * 1/2015 Lim D15/9
 D732,641 S 6/2015 Hermann
 D733,764 S * 7/2015 Ohser D15/9
 D735,244 S * 7/2015 Jeong D15/9
 D745,896 S * 12/2015 Ohser D15/9
 D754,754 S * 4/2016 Wang D15/9
 D761,326 S * 7/2016 Kienzle D15/9
 D763,323 S * 8/2016 Mikulic D15/9
 D770,538 S * 11/2016 Li D15/9

D777,213 S * 1/2017 Ohser D15/9
 D777,794 S * 1/2017 Wipper D15/9
 D828,402 S * 9/2018 Sandkotter D15/9
 D828,403 S * 9/2018 Sandkotter D15/9
 D829,711 S 10/2018 Akana et al.
 D829,771 S * 10/2018 Loerch D15/9
 D835,158 S * 12/2018 Shin D15/9
 D840,438 S * 2/2019 Mikulic D15/9
 D842,341 S * 3/2019 Shin D15/9
 D868,841 S * 12/2019 Zaytsev D15/9
 D892,174 S * 8/2020 Wipper D15/9
 D894,967 S * 9/2020 Loerch D15/9

OTHER PUBLICATIONS

Copeland, Small Semi-Hermetic Compressors for Refrigeration, (site visited Nov. 2, 2020), Emerson.com, URL:<<https://climate.emerson.com/en-us/shop/1/copeland-small-semi-hermetic-compressors>> (Year: 2020).*

Bitzer, Ecoline+ Transcritical, (site visited Nov. 2, 2020), Bitzer Website, URL:<<https://www.bitzer.de/gb/en/reciprocating-compressors/ecollne-1-transcritical/>> (Year: 2020).

Copeland, Small Semi-Hermetio Compressors for Refrigeration, (site visited Nov. 2, 2020), Emerson.com, URL:<<https://climate.emerson.com/en-us/shop/1/copeland-small-semi-hermetic-compressors>> (Year: 2020).

U.S. Appl. No. 29/687,664, filed Apr. 15, 2019, Wipper et al.
 U.S. Appl. No. 29/687,635, filed Apr. 15, 2019, Freiberg.
 U.S. Appl. No. 29/658,622, filed Aug. 1, 2018, Loerch et al.
 U.S. Appl. No. 29/656,442, filed Jul. 12, 2018, Wipper et al.
 U.S. Appl. No. 29/616,611, filed Sep. 17, 2017, Mikesch et al.
 U.S. Appl. No. 29/539,144, filed Sep. 11, 2015, Christensen.

* cited by examiner

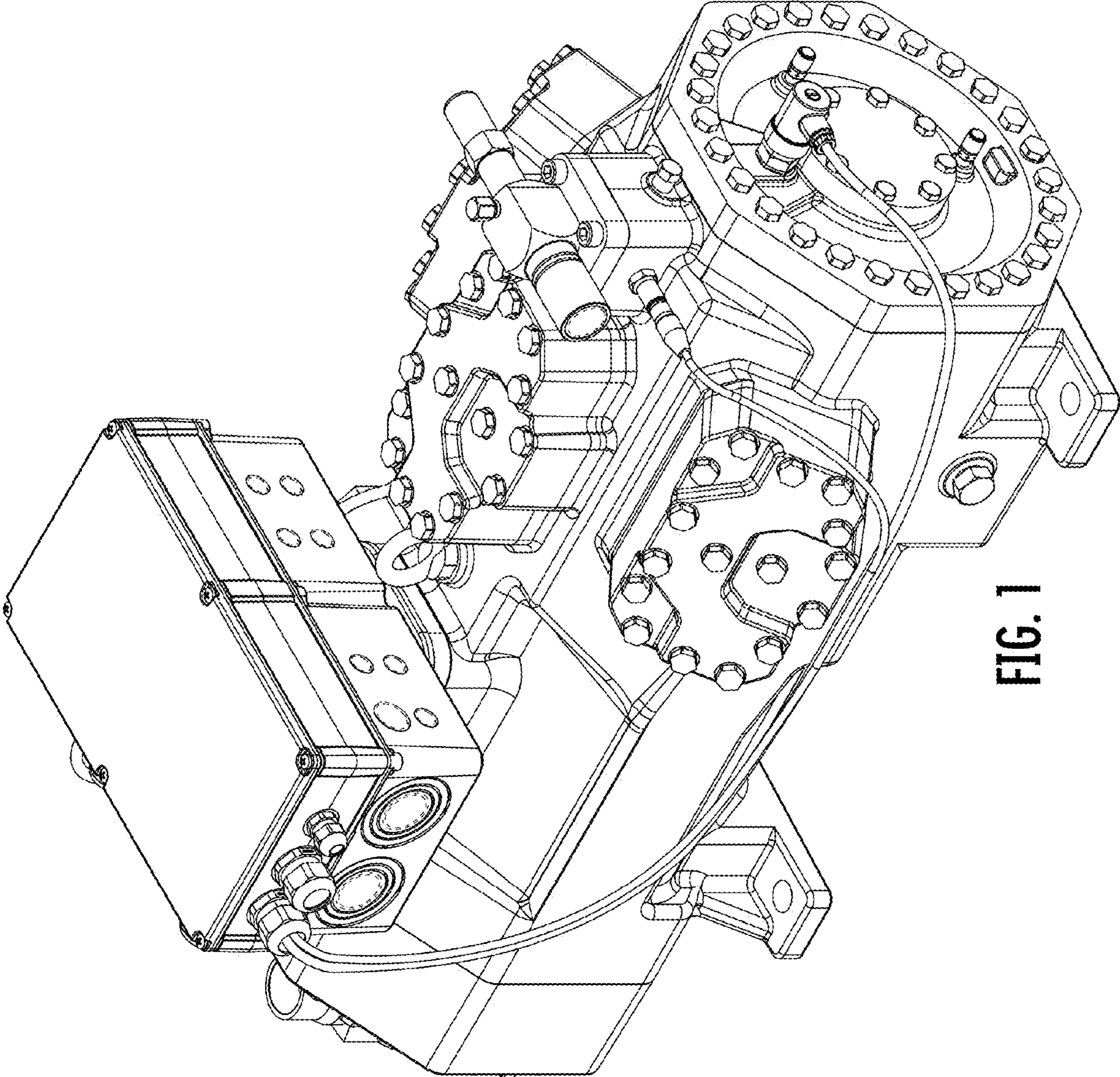


FIG. 1

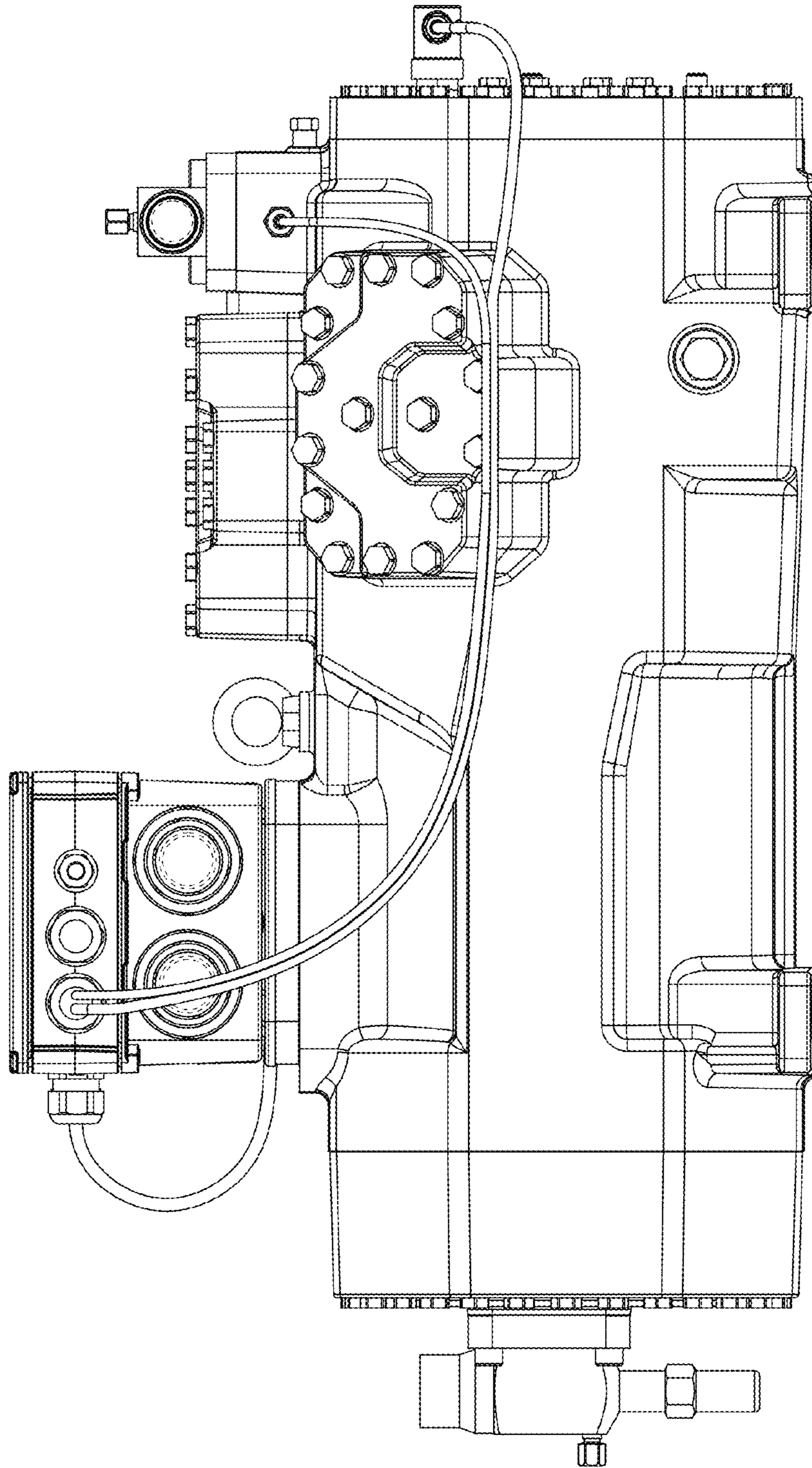


FIG. 2

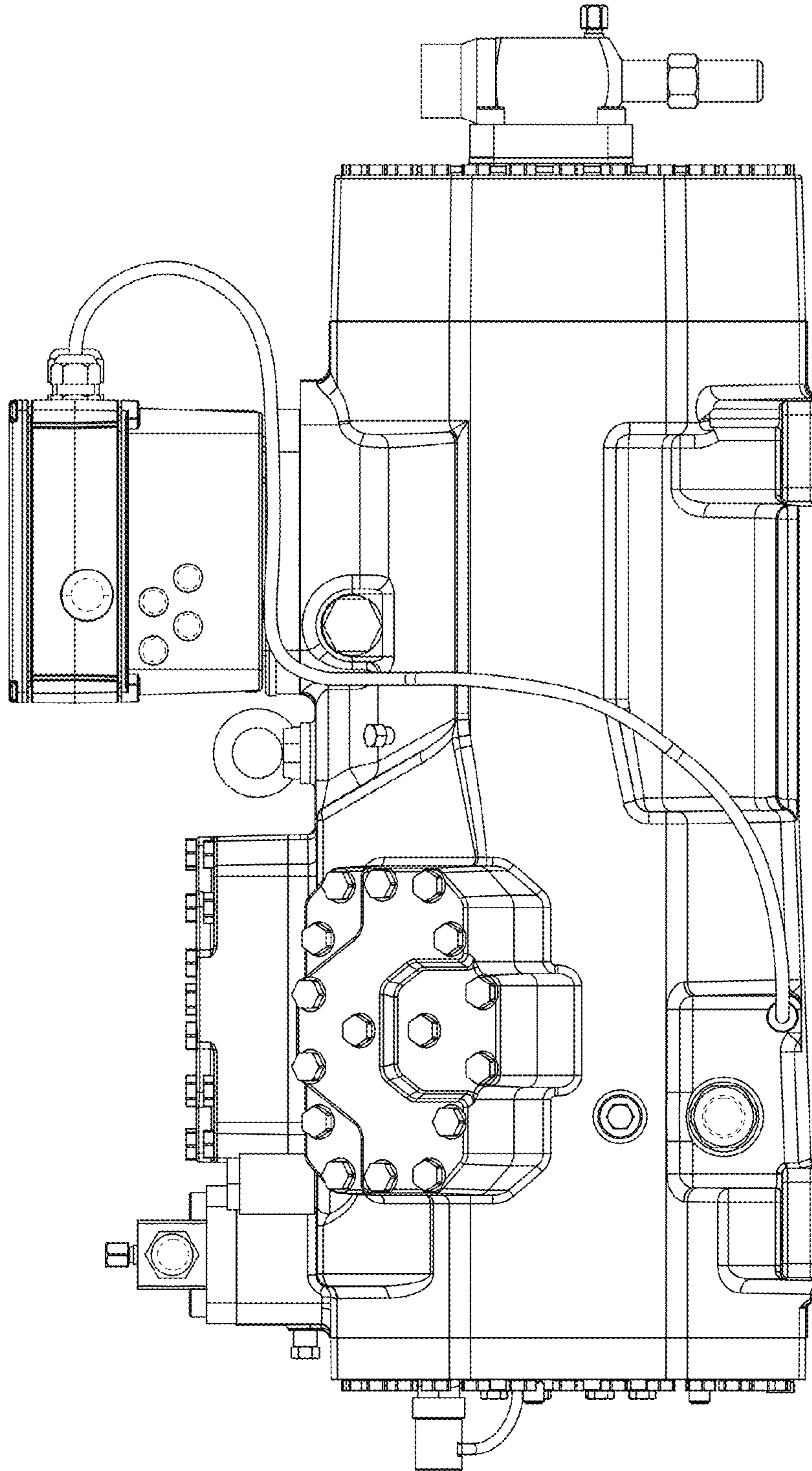


FIG. 3

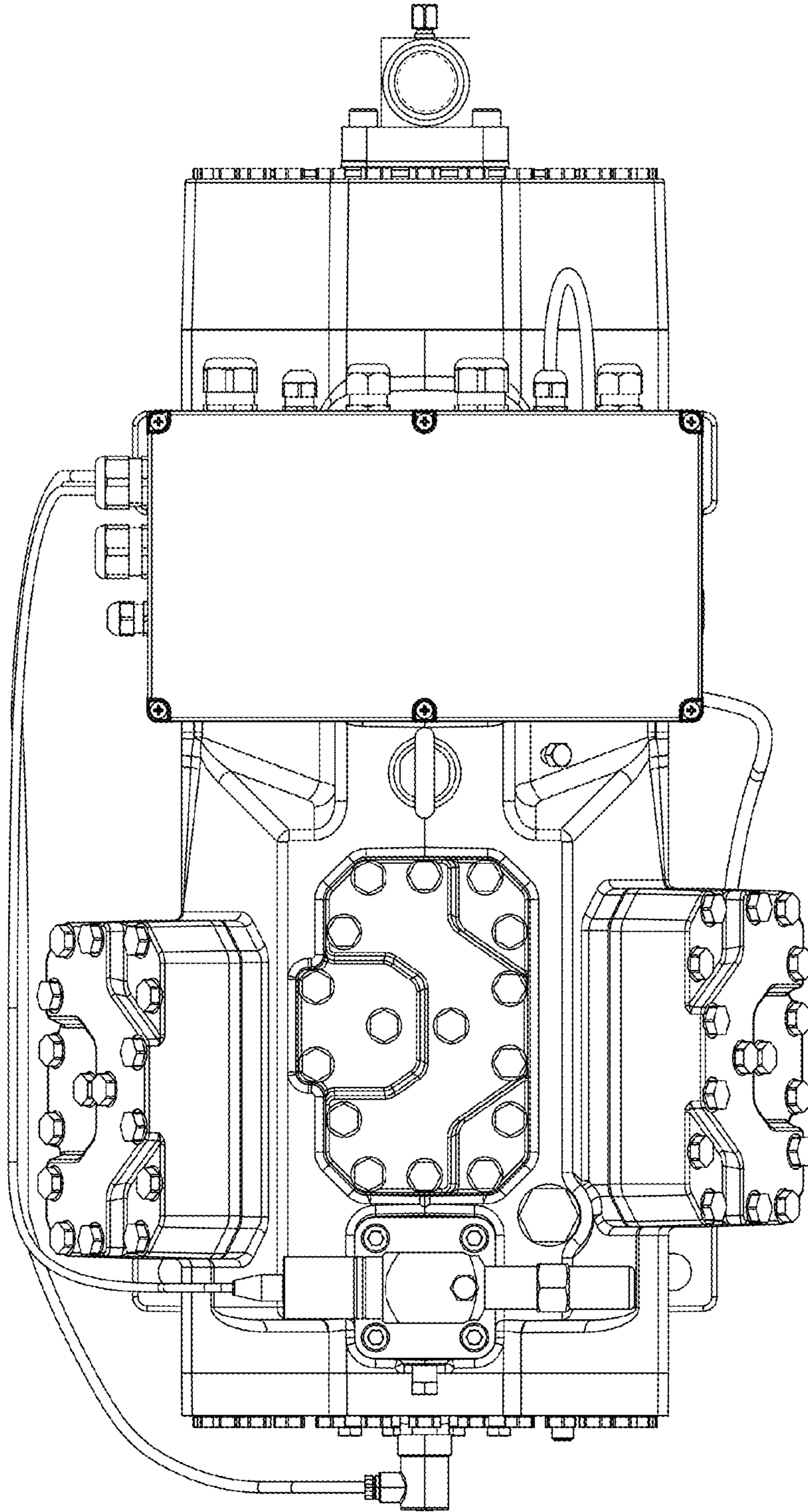


FIG. 4

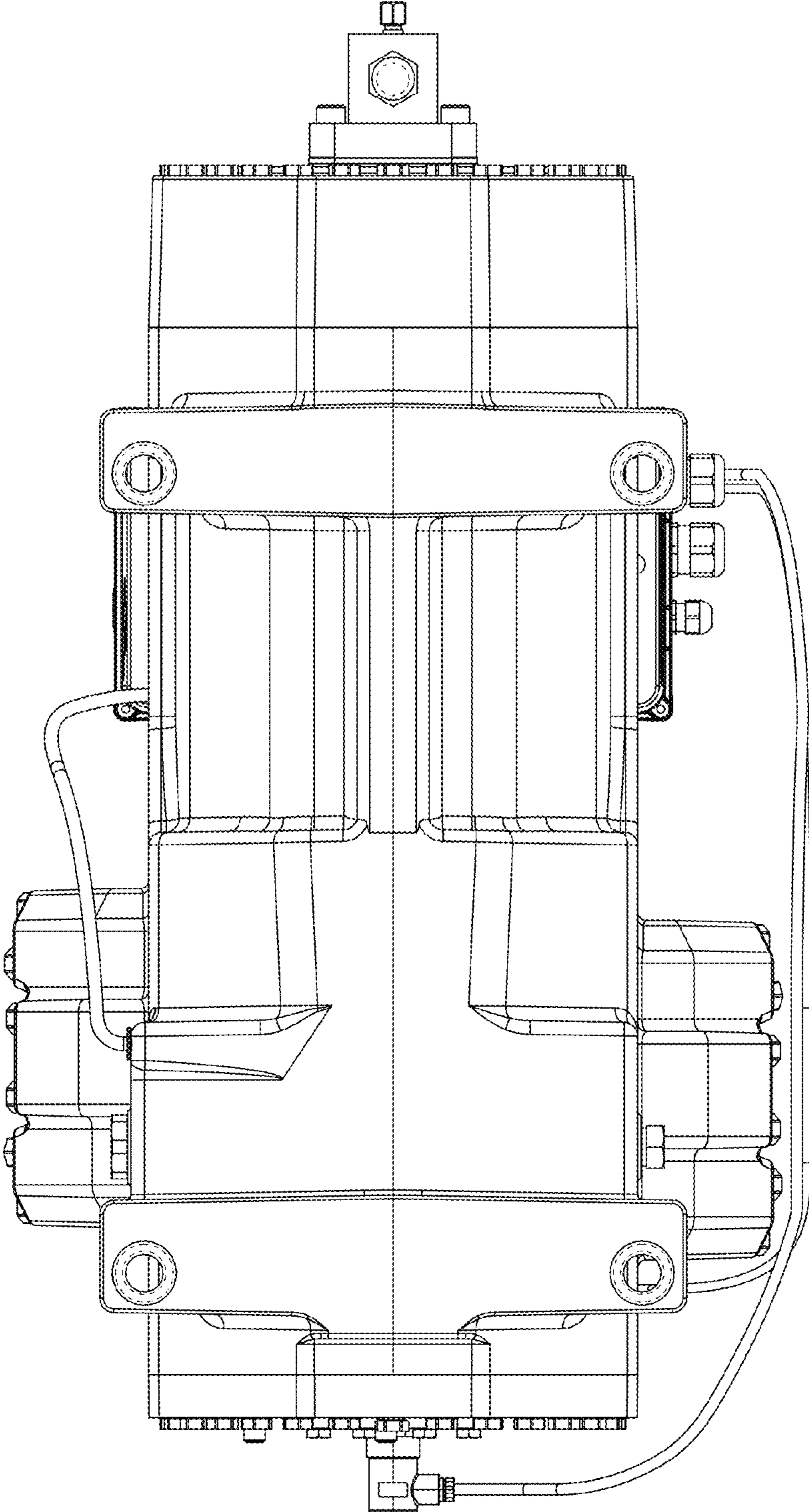


FIG. 5

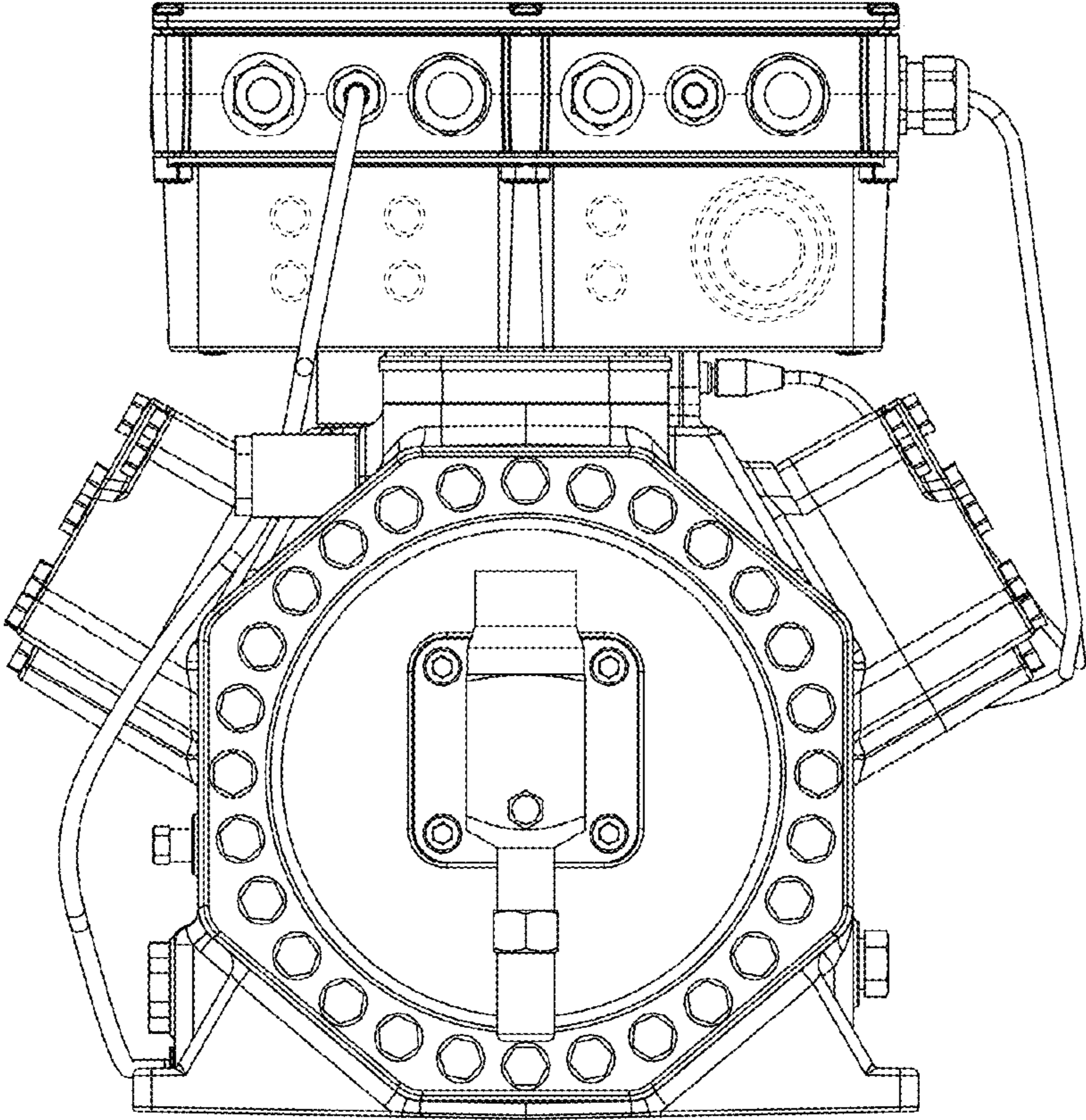


FIG. 6

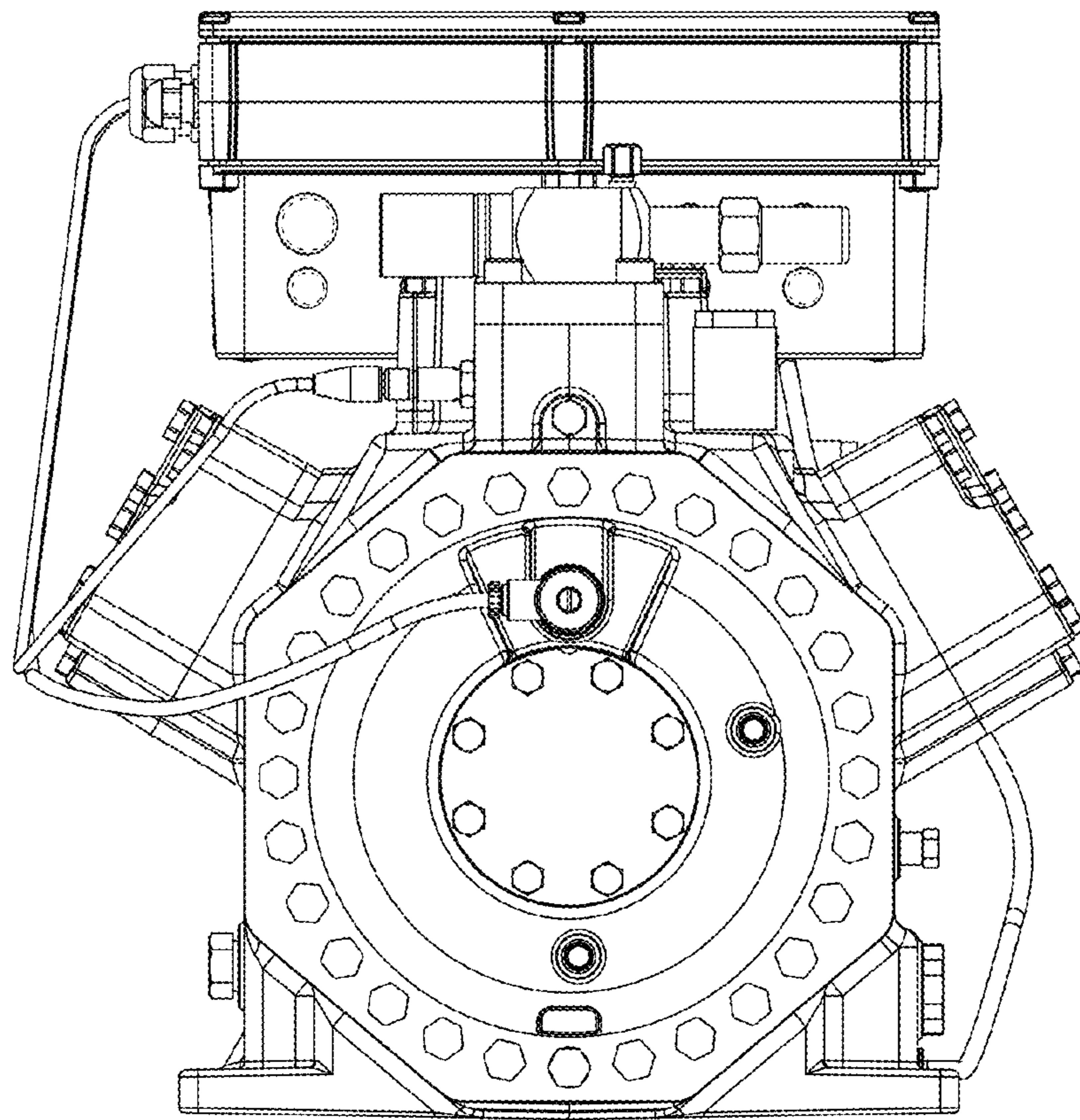


FIG. 7

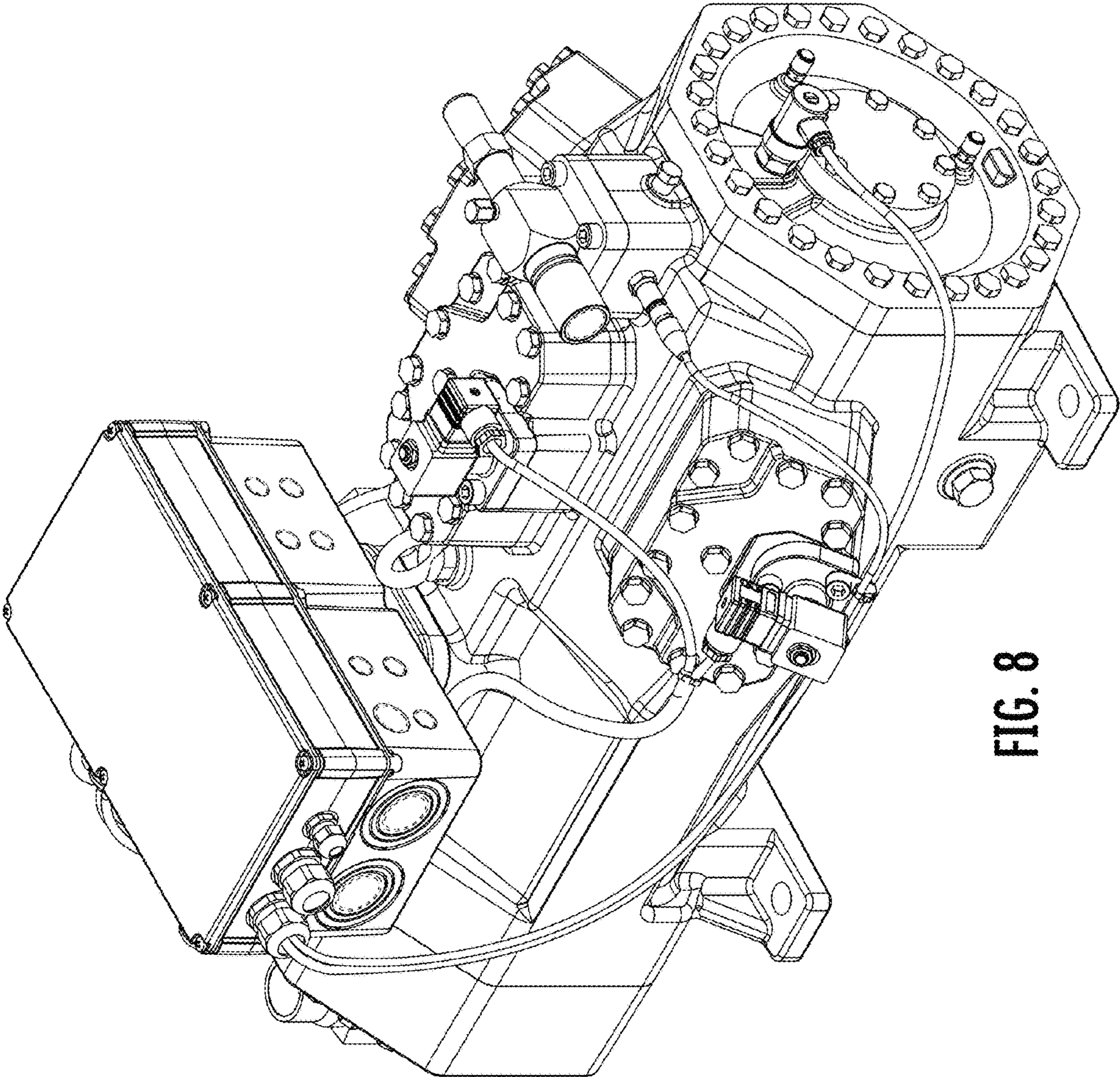


FIG. 8

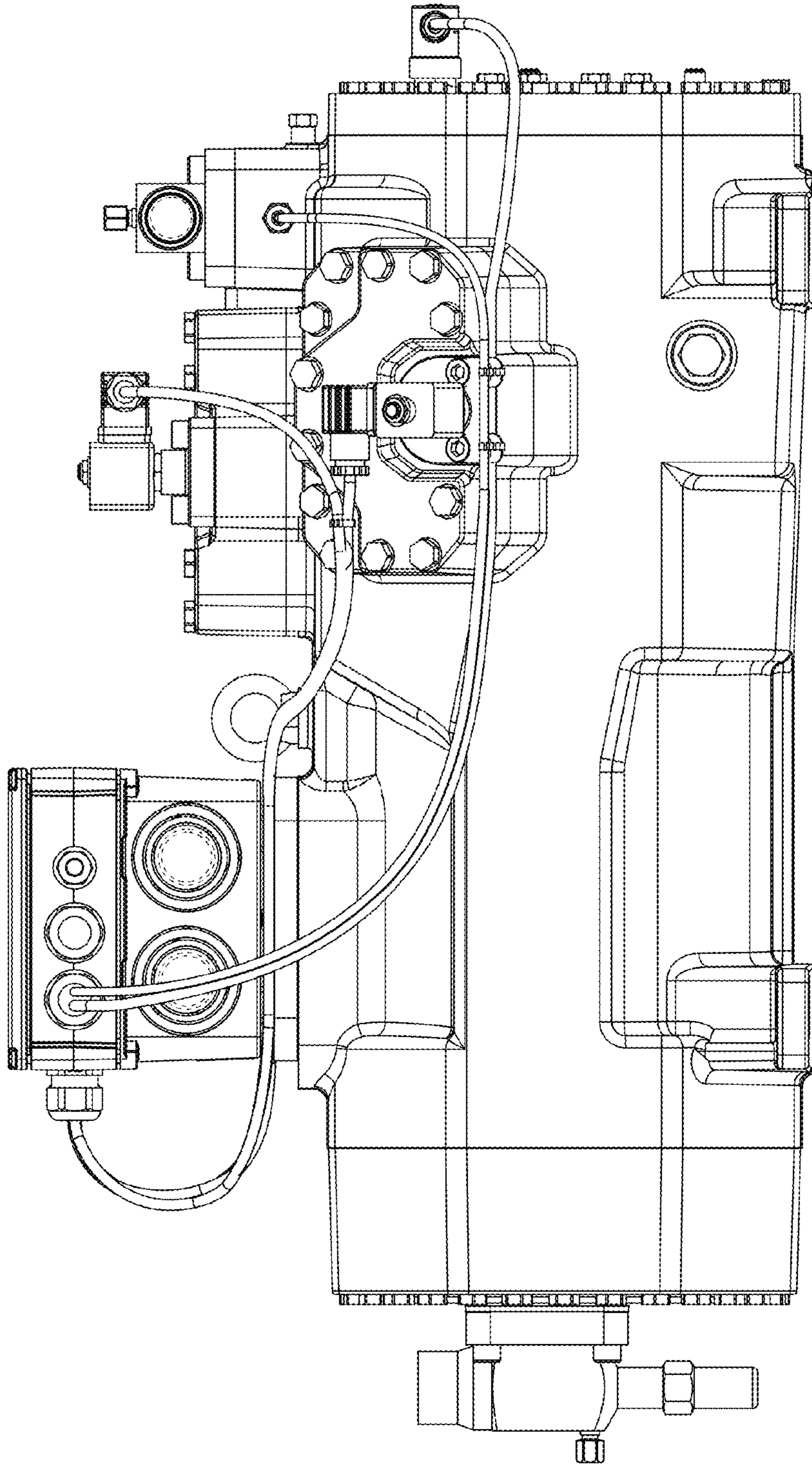


FIG. 9

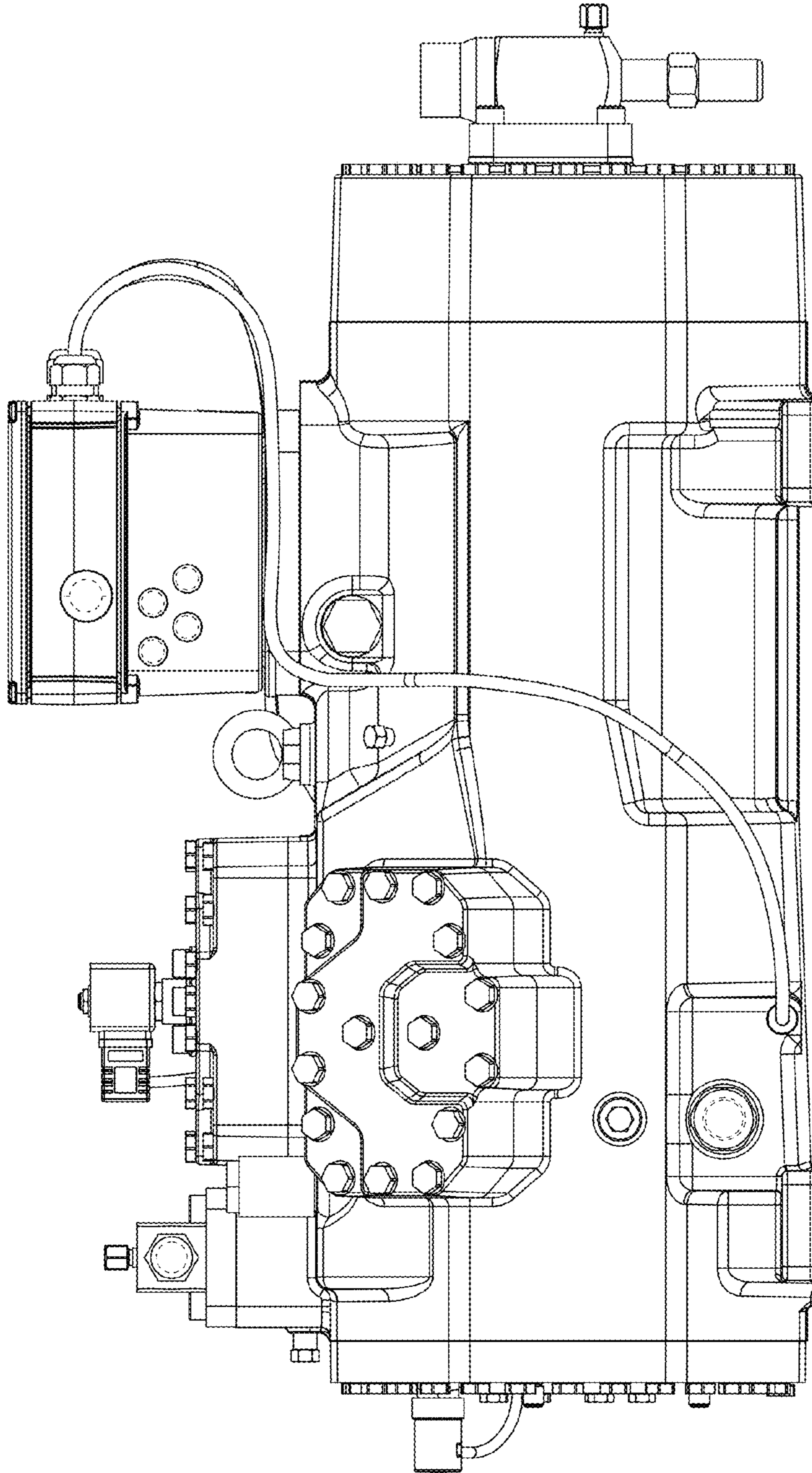


FIG. 10

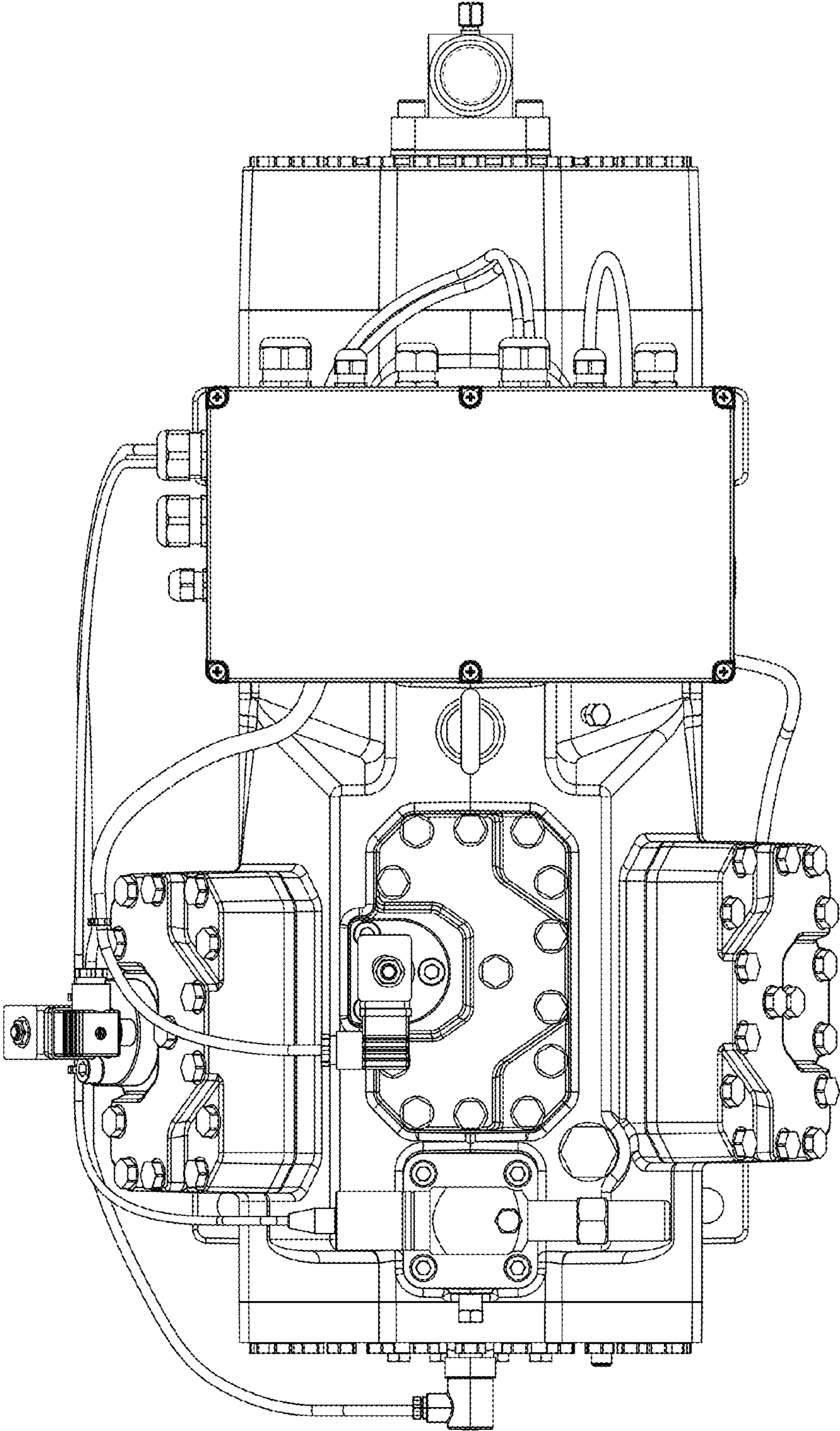


FIG. 11

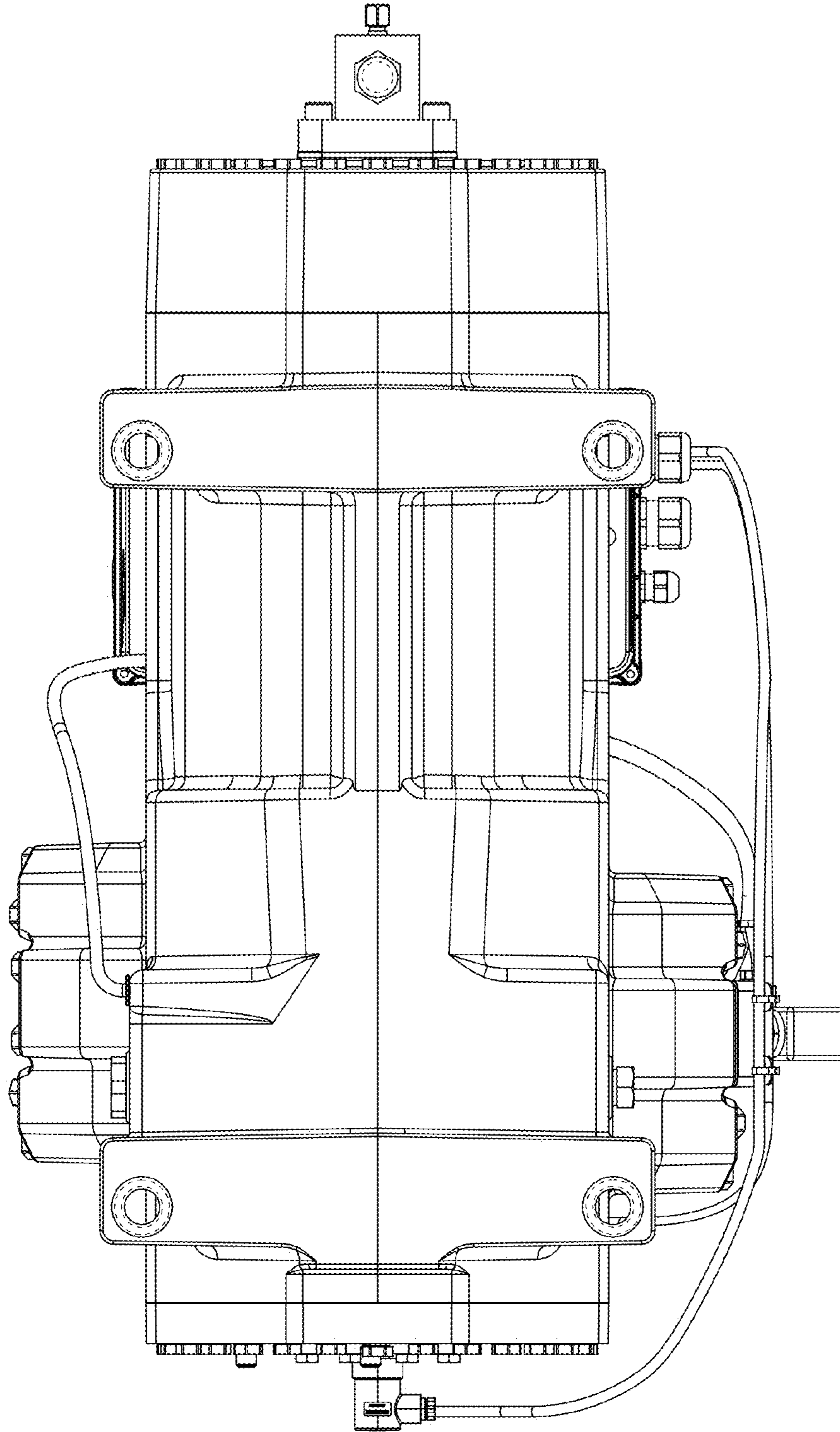


FIG. 12

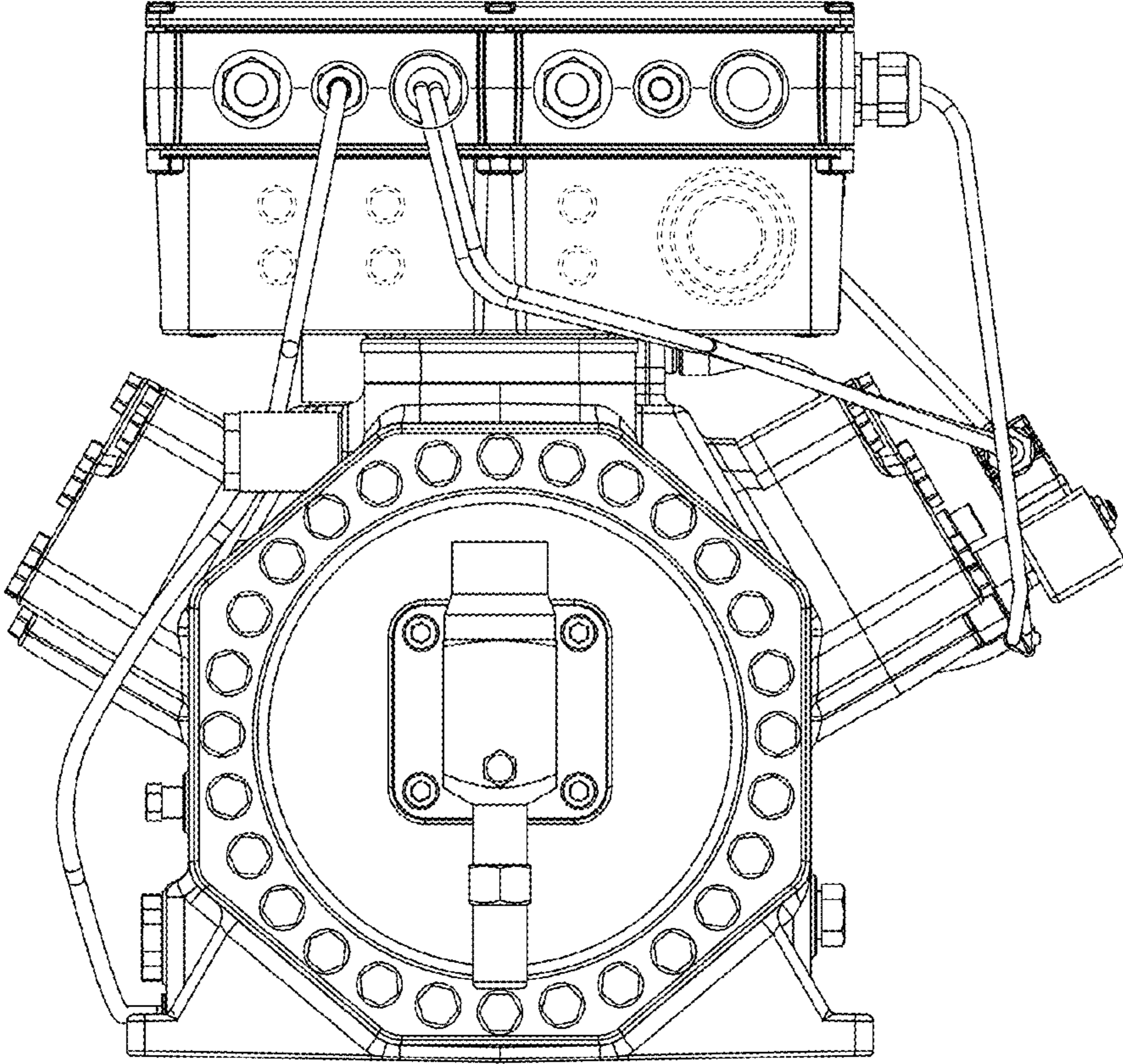


FIG. 13

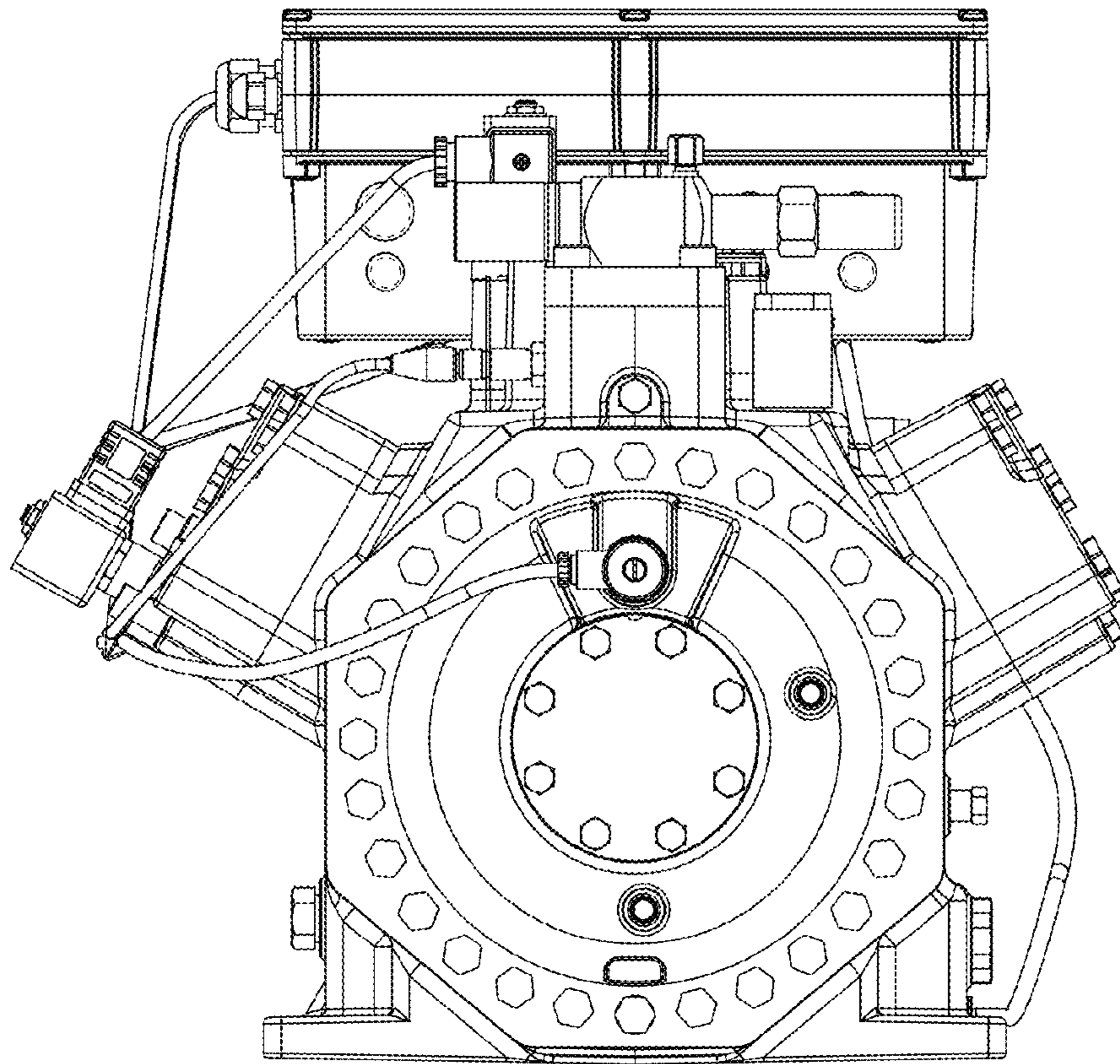


FIG. 14