



US00D930711S

(12) **United States Design Patent** (10) **Patent No.:** **US D930,711 S**
Lin (45) **Date of Patent:** **** Sep. 14, 2021**

(54) **BILGE SUBMERSIBLE PUMP**
(71) Applicant: **FUJIAN AIDI ELECTRIC CO., LTD.**, Longyan (CN)
(72) Inventor: **Xi Zhen Lin**, Xiamen (CN)
(73) Assignee: **FUJIAN AIDI ELECTRIC CO., LTD.**, Longyan (CN)

D541,818 S * 5/2007 Rhea D15/7
D649,164 S * 11/2011 Cook D15/7
D708,648 S * 7/2014 Orsini D15/7
D723,587 S * 3/2015 Park D15/7
D750,139 S * 2/2016 Khan D15/7
9,829,000 B2 * 11/2017 Moormann F04D 9/003
D817,361 S * 5/2018 Weber D15/7
D856,374 S * 8/2019 Park D15/7
10,989,198 B1 * 4/2021 Lin F04D 29/445
(Continued)

(**) Term: **15 Years**
(21) Appl. No.: **29/745,438**
(22) Filed: **Aug. 6, 2020**

OTHER PUBLICATIONS

Rule, Next Generation Standard 12V Bilge, (site visited Jul. 15, 2021), Comsmarine.com, URL:<<https://comsmarine.com/rule-next-generation-standard-12-volt-bilge-pumps-360-gph/>> (Year: 2021).*
(Continued)

(30) **Foreign Application Priority Data**

Jun. 19, 2020 (CN) 202030319080.3

(51) **LOC (13) Cl.** **15-02**
(52) **U.S. Cl.**
USPC **D15/7**

Primary Examiner — Calvin E Vansant
Assistant Examiner — Mark T. Philipps
(74) *Attorney, Agent, or Firm* — Bayramoglu Law Offices LLC

(58) **Field of Classification Search**
USPC D23/206, 213, 214, 225, 231, 232, 387, D23/421; D15/7-9.1, 21, 199
CPC F04D 15/0088; F04D 15/0066; F04D 15/0245; F04D 3/00; F04D 3/005; F04D 3/02; F04D 13/06; F04D 29/041; F04D 29/22; F04D 29/60; F04D 29/605; F04B 2203/0208; F04B 17/03; F04B 17/046; F04B 17/048; F04B 35/04; F04B 43/04; F04B 43/043
See application file for complete search history.

(57) **CLAIM**

The ornamental design for a bilge submersible pump, as shown and described.

(56) **References Cited**

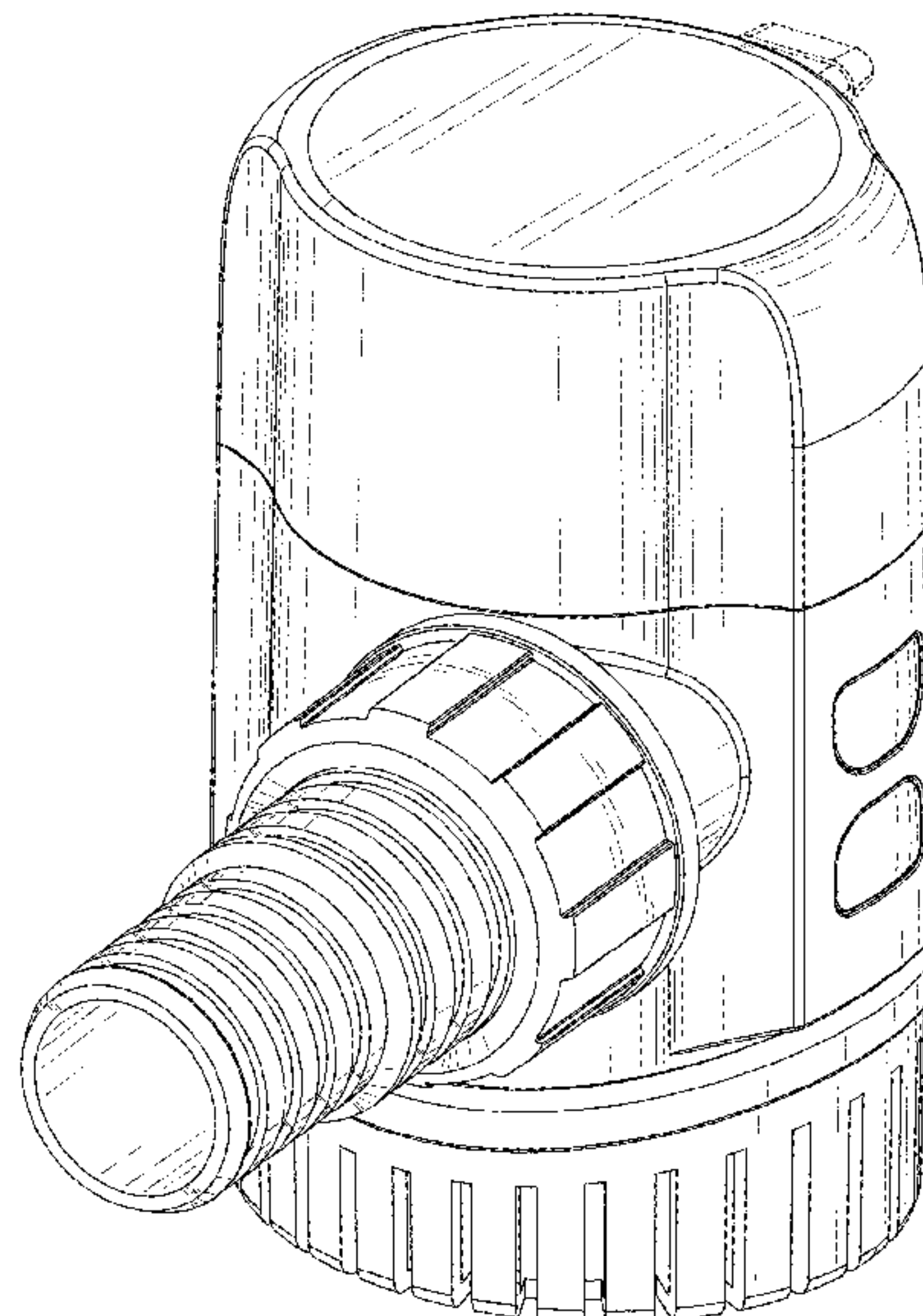
U.S. PATENT DOCUMENTS

D258,210 S * 2/1981 Shure D15/7
5,165,358 A * 11/1992 Fielder B63B 35/26
114/255
D339,143 S * 9/1993 Whitley, II D15/7
D507,579 S * 7/2005 Rossman D15/7

DESCRIPTION

FIG. 1 is a perspective view of a bilge submersible pump showing my new design;
FIG. 2 is a front view thereof;
FIG. 3 is a rear view thereof;
FIG. 4 is a left side view thereof;
FIG. 5 is a right side view thereof;
FIG. 6 is a top view thereof; and,
FIG. 7 is a bottom view thereof.
The broken lines depict portions of the bilge submersible pump in which the design is embodied that form no part of the claimed design.

1 Claim, 7 Drawing Sheets



(56)

References Cited

U.S. PATENT DOCUMENTS

2002/0176782 A1* 11/2002 Batchelder F04D 15/0236
417/36
2013/0052059 A1* 2/2013 Moorman F04B 17/03
417/411
2015/0247504 A1* 9/2015 Moorman F04D 29/4293
417/36

OTHER PUBLICATIONS

Maxzone, Submersible Boat Bilge Water Pump 12v Non-Automatic Marine Electric Bilge, (First available Jun. 30, 2020), Amazon.com, URL:<<https://www.amazon.com/MAXZONE-Submersible-1100gph-Non-Automatic-Electric/dp/B07PGDKB5Y/>> (Year: 2020).*

Seaflo, 12V auto bilge pump 600 GPH marine pump, (site visited Jul. 15, 2021), SEAFLO.com, URL:<www.seaflo.com/en-us/product/detail/21491.html> (Year: 2021).*

* cited by examiner

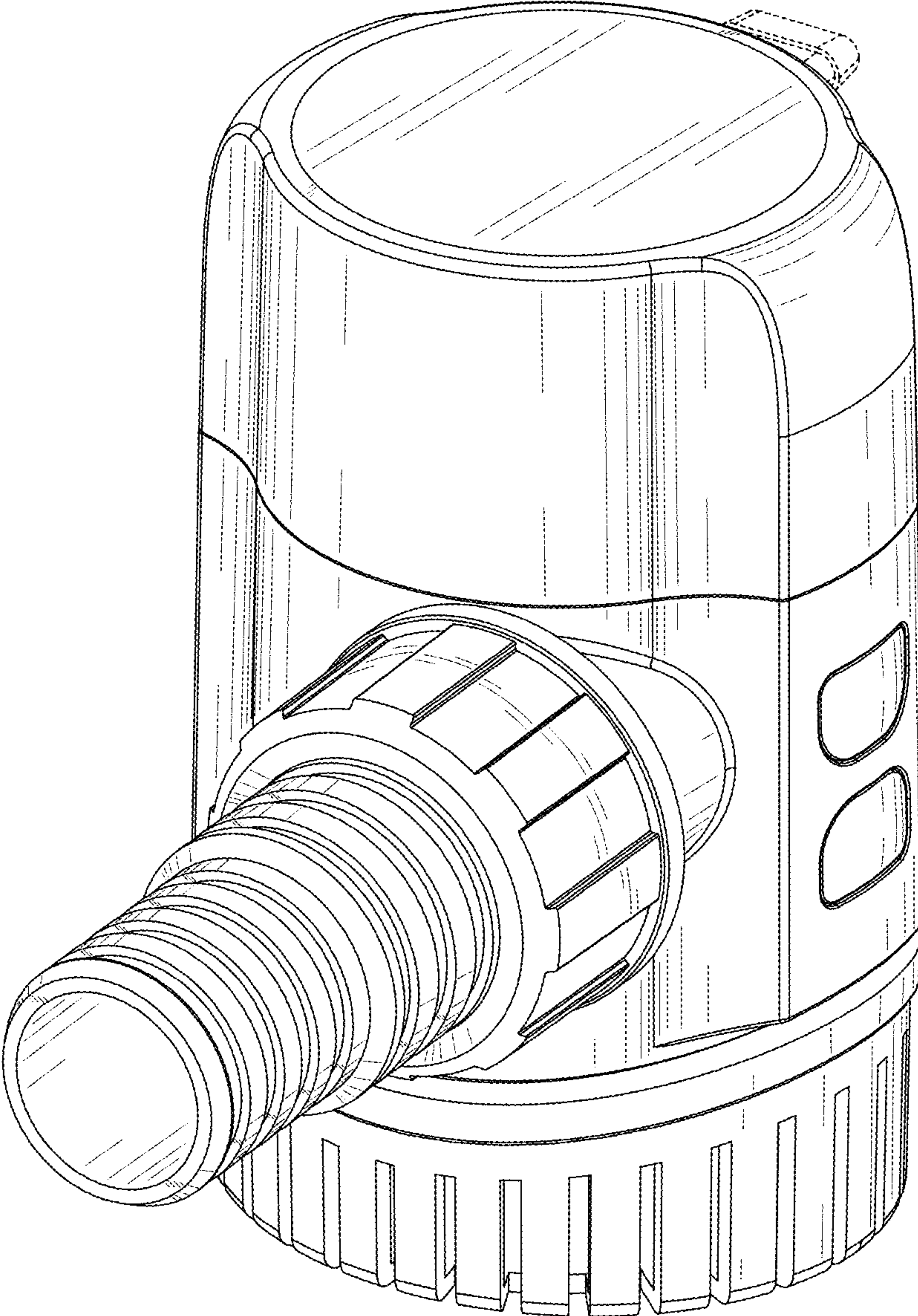


FIG. 1

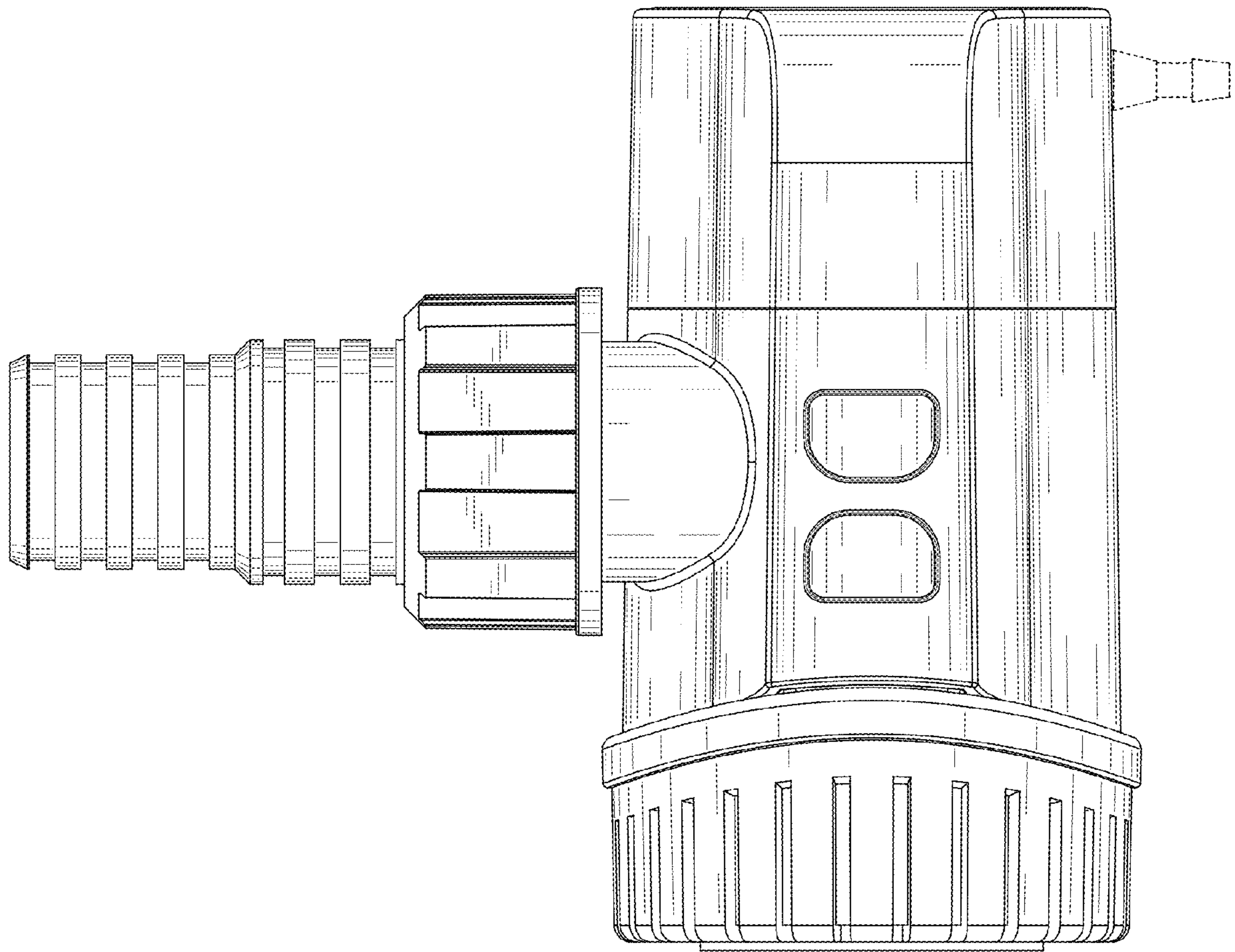


FIG. 2

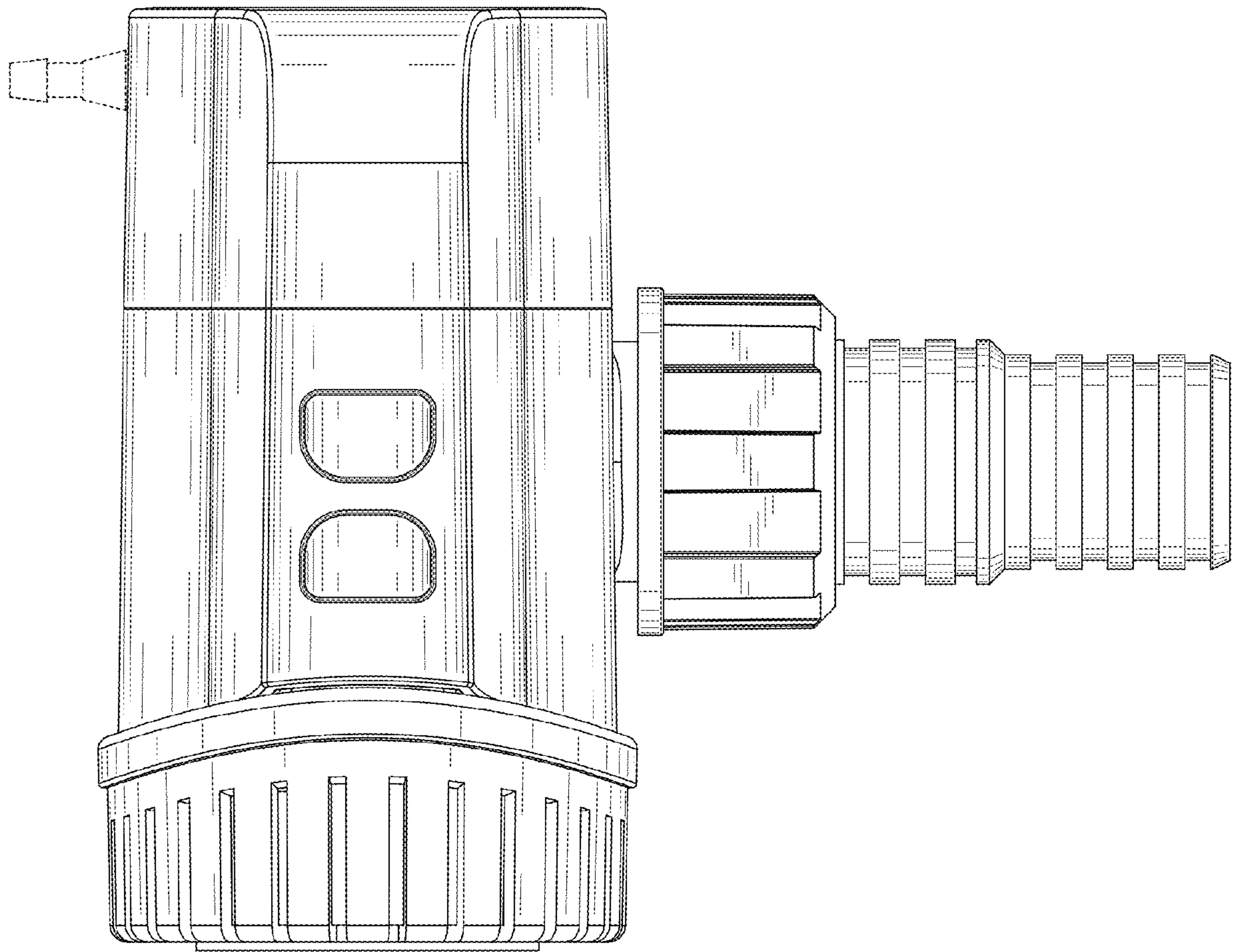


FIG. 3

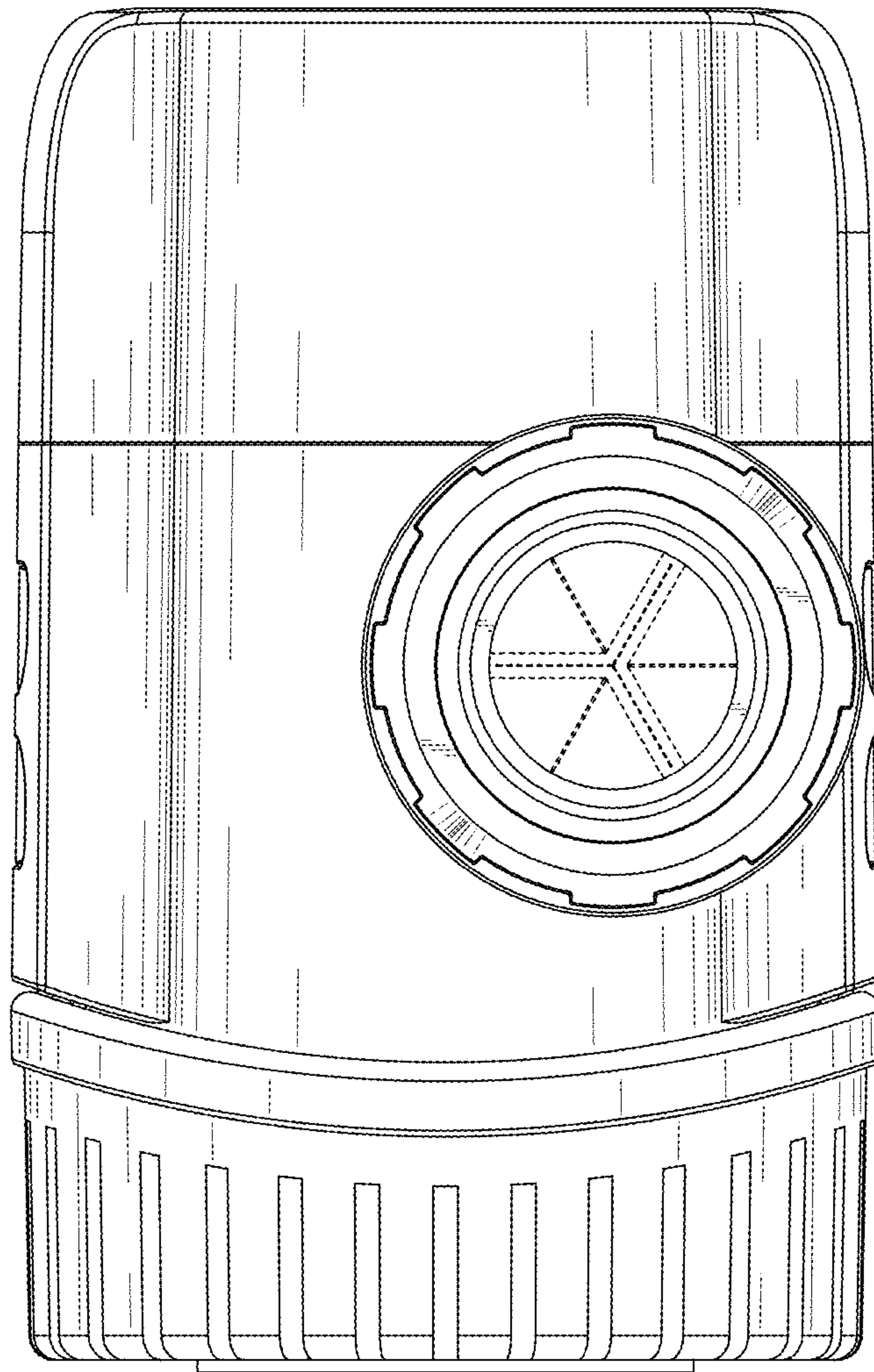


FIG. 4

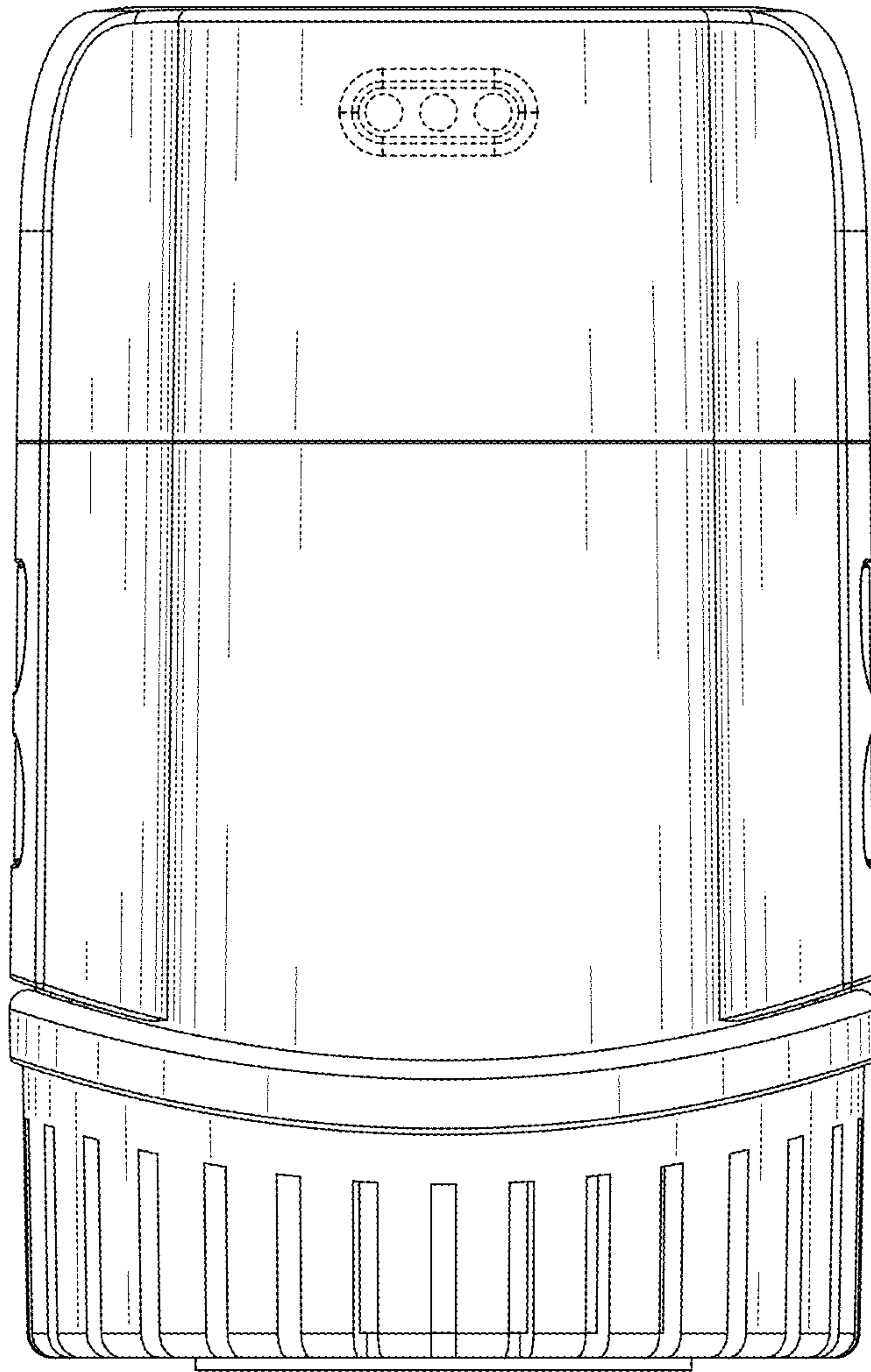


FIG. 5

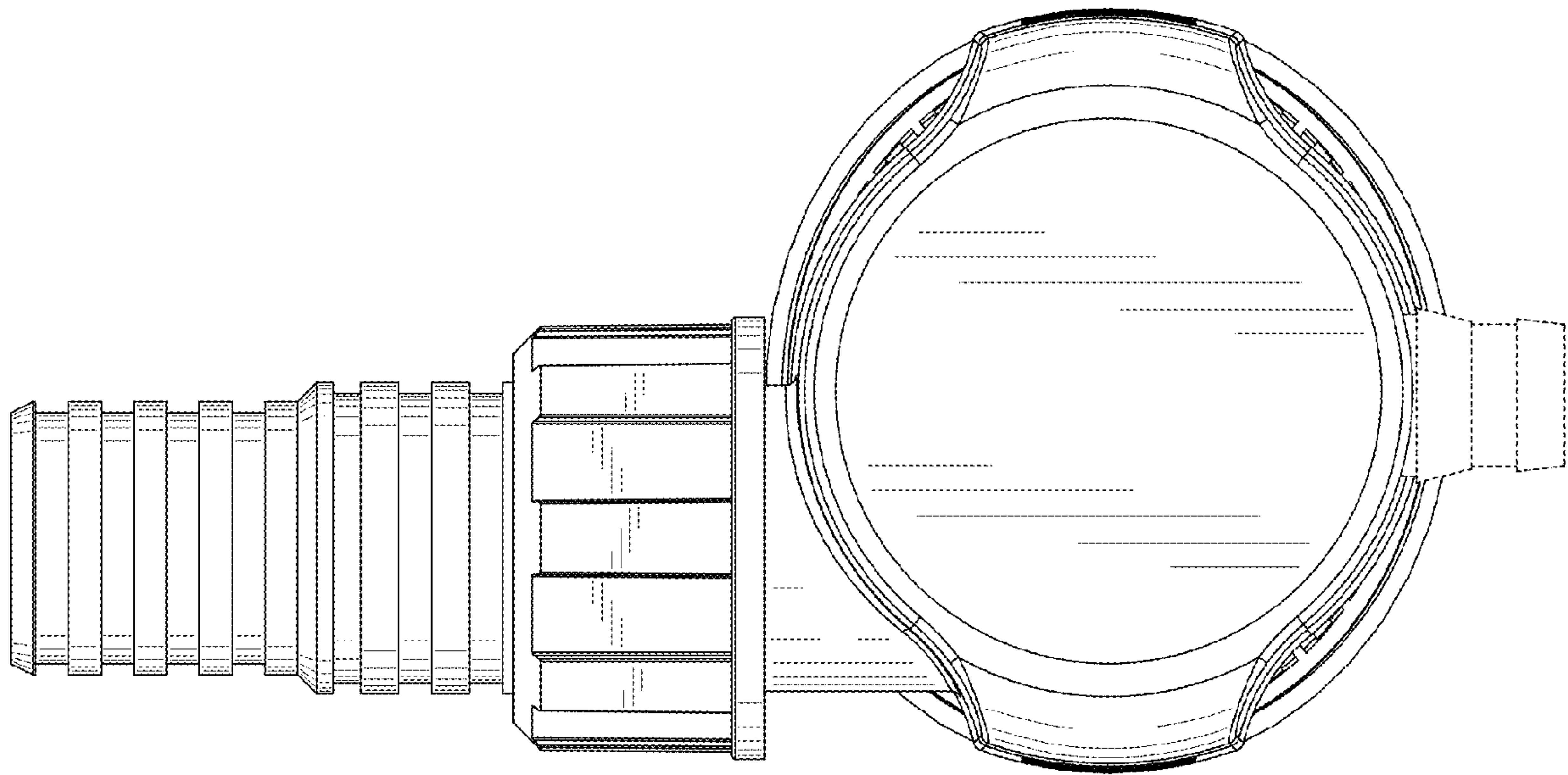


FIG. 6

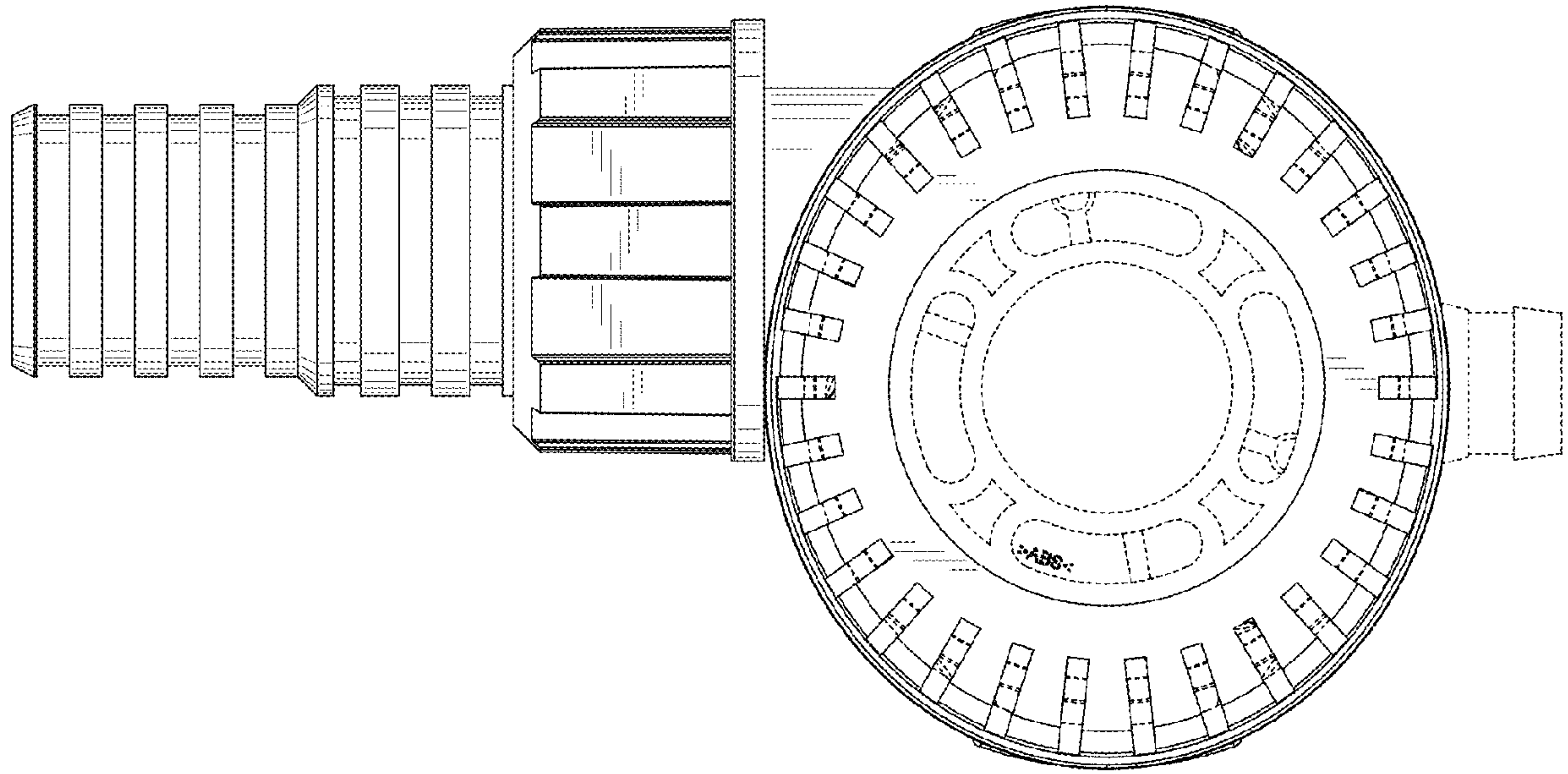


FIG. 7