



US00D930710S

(12) **United States Design Patent** (10) **Patent No.:** **US D930,710 S**
Mao (45) **Date of Patent:** **** Sep. 14, 2021**

(54) **DIGITAL INFLATOR**

(71) Applicant: **Zhaoyun Mao**, Dongguan (CN)

(72) Inventor: **Zhaoyun Mao**, Dongguan (CN)

(**) Term: **15 Years**

(21) Appl. No.: **29/740,543**

(22) Filed: **Jul. 6, 2020**

(30) **Foreign Application Priority Data**

Jan. 4, 2020 (CN) 202030004513.6

(51) **LOC (13) Cl.** **15-02**

(52) **U.S. Cl.**
USPC **D15/7**

(58) **Field of Classification Search**
USPC D8/61, 68; D15/7-9; D24/111, 108,
D24/110; D10/57; D28/9, 57, 62, 93,
D28/99; D7/300-321
CPC F04B 53/00; F04B 39/123; F04B 2205/05;
F04B 41/12; F04B 41/02; F04B 49/00;
F04B 49/022; F04B 49/06; B60S 5/04;
B60S 5/046; B05B 7/00

See application file for complete search history.

(56) **References Cited**

U.S. PATENT DOCUMENTS

D267,629 S *	1/1983	Hasegawa	D9/504
D289,858 S *	5/1987	Duval	D23/366
D580,708 S *	11/2008	George	D7/509
D589,984 S *	4/2009	Roesler	D15/7
D658,072 S *	4/2012	Davis	D9/689
D663,746 S *	7/2012	Kwon	D15/7
D669,095 S *	10/2012	Chang	D15/7
D691,253 S *	10/2013	Chen	D23/366
D732,338 S *	6/2015	Boroski	D7/507
D834,620 S *	11/2018	Neir	F04B 35/04 D15/7
D845,074 S *	4/2019	Gluck	D7/510
D852,939 S *	7/2019	Jonsson	D23/366
D858,212 S *	9/2019	Hewitt	D7/608

OTHER PUBLICATIONS

Showkoo, electric portable air usb digital electrical pump with LCD display for car tires Wireless 12v mini car tyre air pump, (site visited Feb. 23, 2021), Alibaba.com, URL:<https://www.alibaba.com/product-detail/electric-portable-air-usb-digital-electrical_1600060515146.html> (Year: 2021).*

Fansmart, Portable Air Bicycle Pump Mini Cordless Air Inflator Electric Compact Hand, (site visited Feb. 23, 2021), Amazon.com, YRL :<<https://www.amazon.com/Portable-Compressor-Cordless-Inflator-Rechargeable/dp/B07S51WNM4>> (Year: 2021).*

Chezhipin, China Professional Manufacturer Multifunction 12V Wireless Mini Portable Car Tire Inflator Pump for bike and basketball , (site visited Feb. 23, 2021), Alibaba.com, URL:<https://www.alibaba.com/product-detail/China-Professional-Manufacturer-Multifunction-12V-Wireless_1600198767100.html> (Year: 2021).*

* cited by examiner

Primary Examiner — Sheryl Lane

Assistant Examiner — Mark T. Philipps

(74) *Attorney, Agent, or Firm* — WPAT, PC

(57) **CLAIM**

The ornamental design for a digital inflator, as shown and described.

DESCRIPTION

FIG. 1 is a perspective view of a digital inflator showing our new design;

FIG. 2 is a front view thereof;

FIG. 3 is a rear view thereof;

FIG. 4 is a left side view thereof;

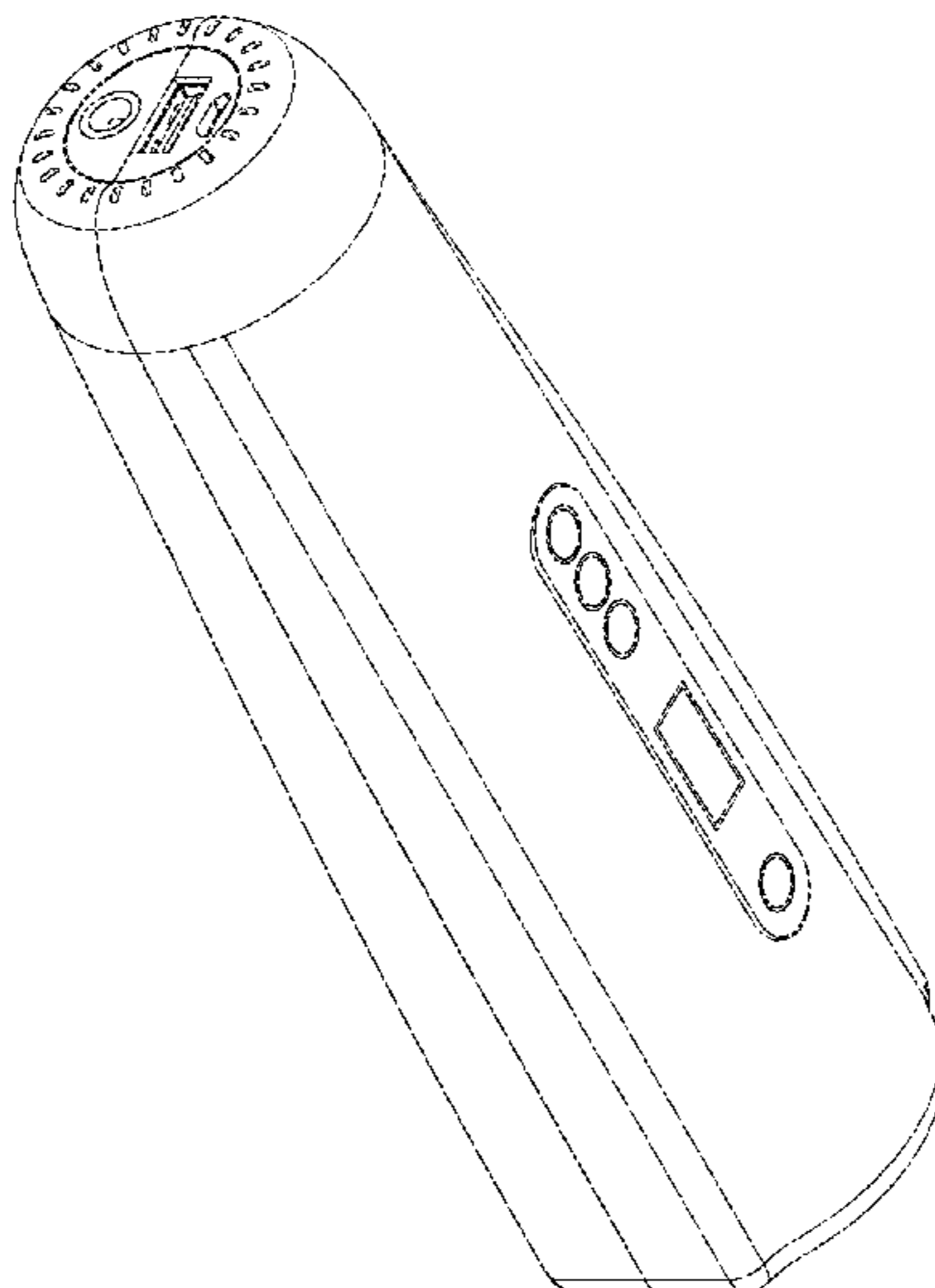
FIG. 5 is a right side view thereof;

FIG. 6 is an enlarge drawing of the top view thereof; and,

FIG. 7 is an enlarge drawing of the bottom view thereof.

The broken lines depict portions of the digital inflator that form no part of the claimed design.

1 Claim, 7 Drawing Sheets



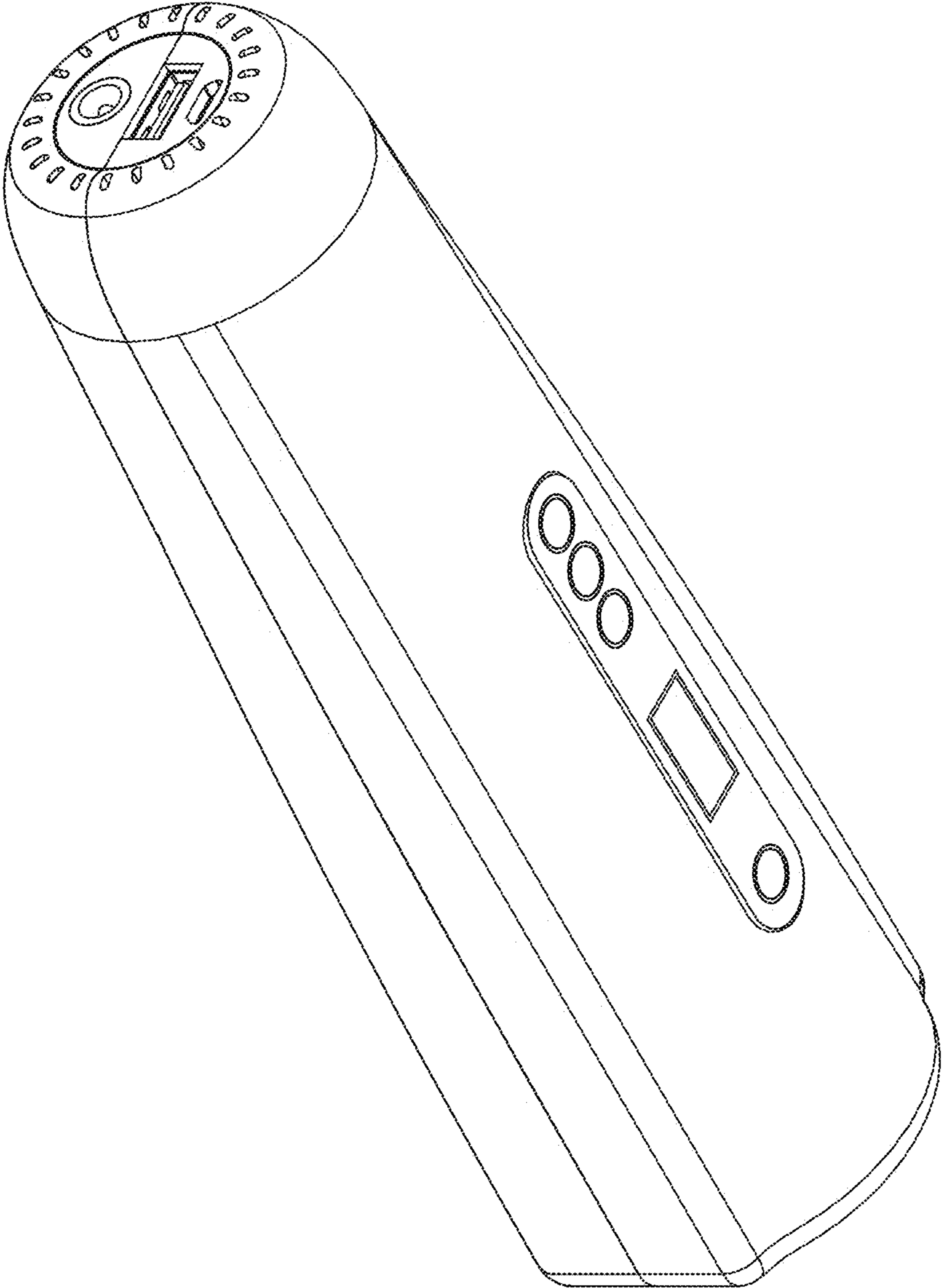


FIG. 1

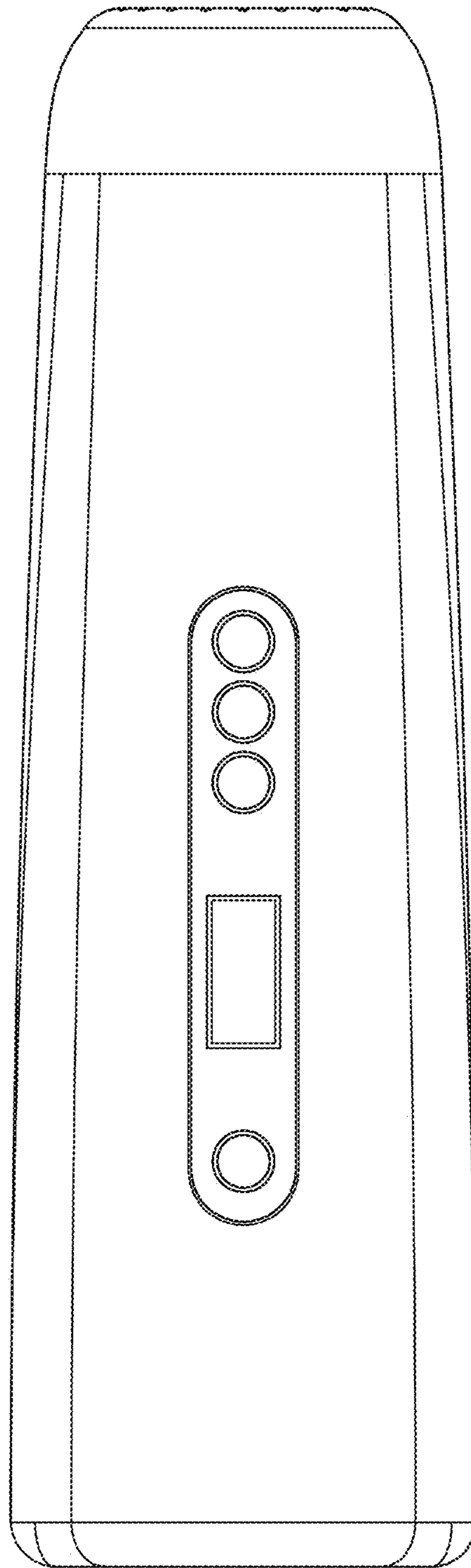


FIG. 2

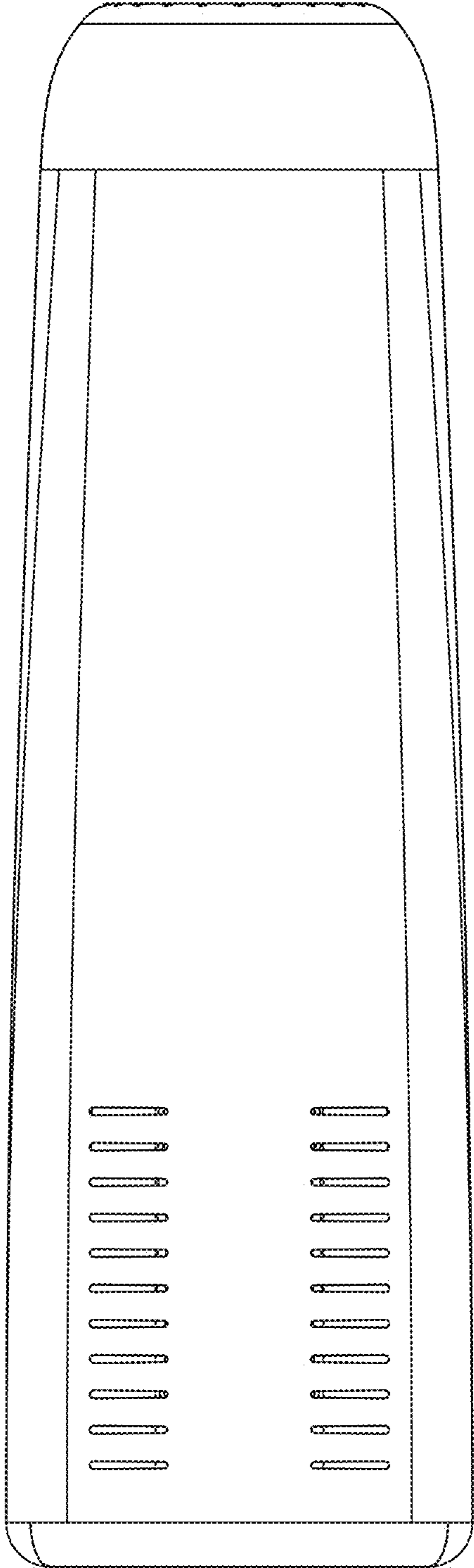


FIG. 3

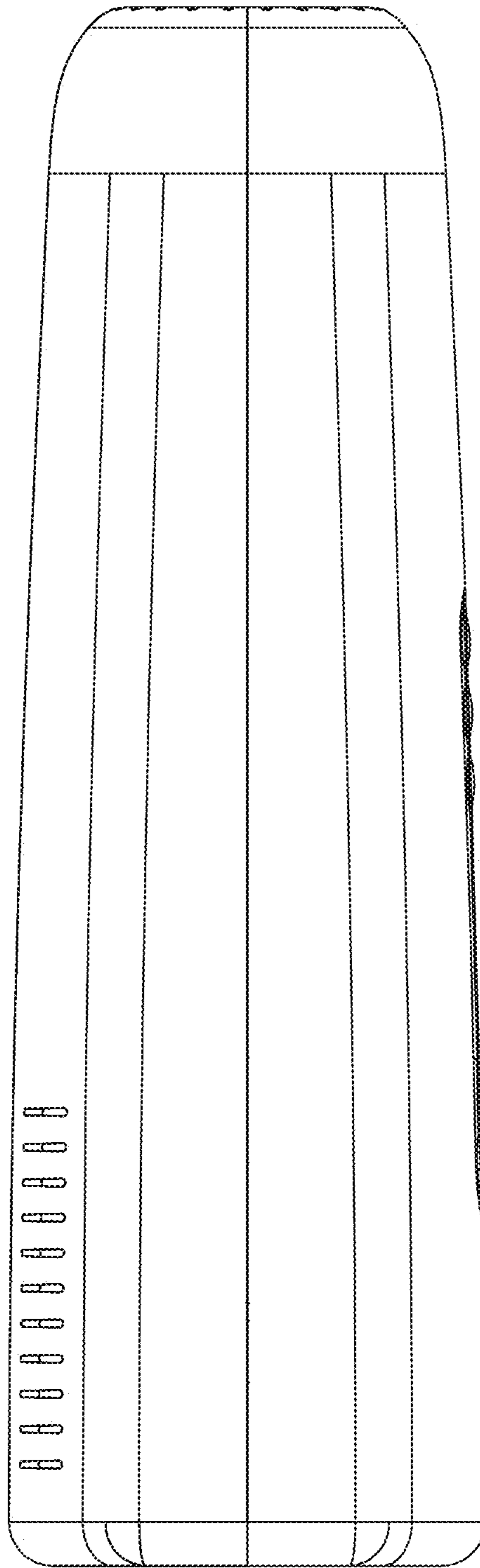


FIG. 4

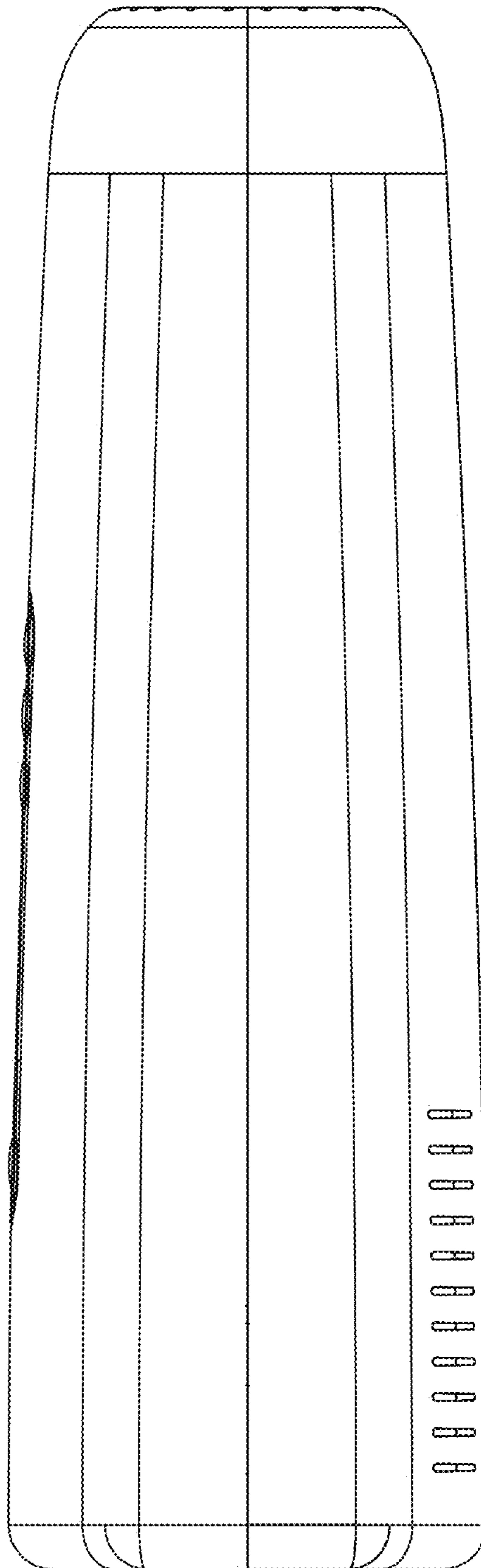


FIG. 5

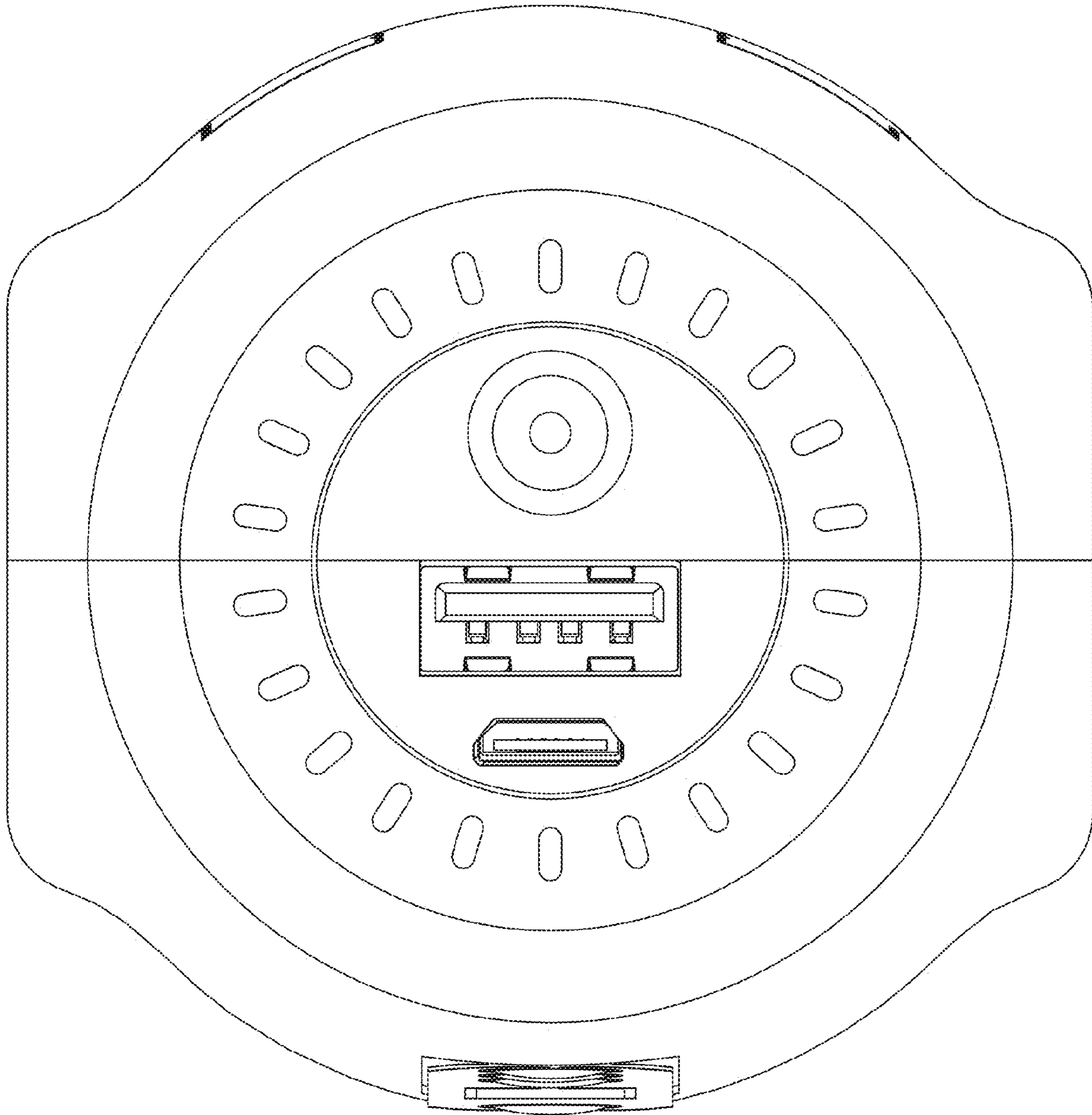


FIG. 6

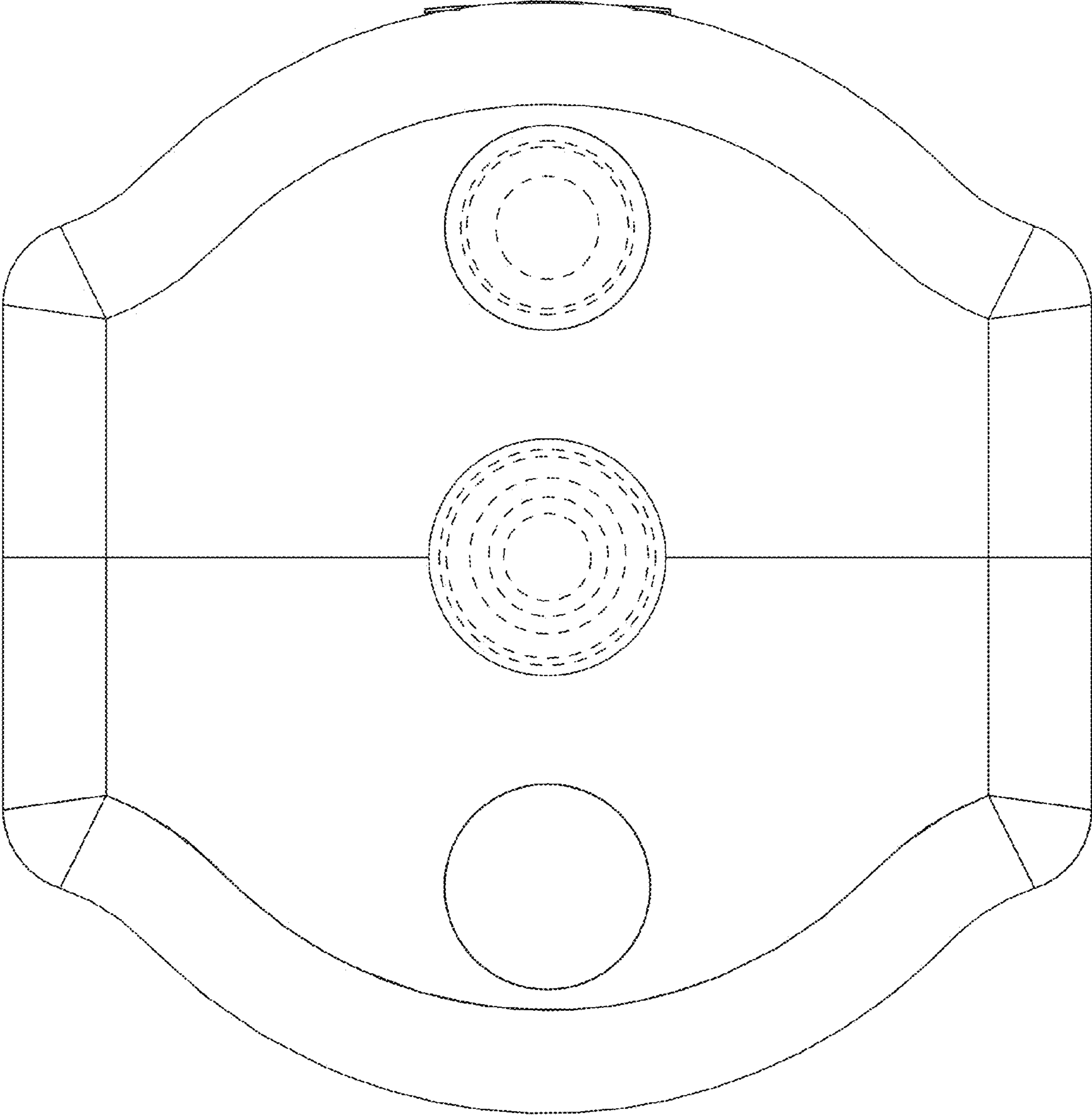


FIG. 7