



US00D930709S

(12) **United States Design Patent** (10) **Patent No.:** **US D930,709 S**
Mao (45) **Date of Patent:** **** Sep. 14, 2021**

(54) **DIGITAL INFLATOR**
(71) Applicant: **Zhaoyun Mao**, Dongguan (CN)
(72) Inventor: **Zhaoyun Mao**, Dongguan (CN)
(**) Term: **15 Years**
(21) Appl. No.: **29/740,542**
(22) Filed: **Jul. 6, 2020**
(51) **LOC (13) Cl.** **15-02**
(52) **U.S. Cl.**
USPC **D15/7**
(58) **Field of Classification Search**
USPC D8/61, 68; D15/7-9; D24/111, 108,
D24/110; D10/57; D28/9, 57, 62, 93,
D28/99; D7/300-321
CPC F04B 53/00; F04B 39/123; F04B 41/12;
F04B 2205/05; F04B 41/02; F04B 49/00;
F04B 49/022; F04B 49/06; B60S 5/04;
B60S 5/046; B05B 7/00
See application file for complete search history.

(56) **References Cited**
U.S. PATENT DOCUMENTS
D309,088 S * 7/1990 Ogawa D8/61
D399,143 S * 10/1998 Allende D10/57
D399,213 S * 10/1998 Sorensen D15/7
D402,904 S * 12/1998 Sugimoto D10/57
D430,289 S * 8/2000 Mason D24/111
D488,395 S * 4/2004 Vu D10/57
D510,939 S * 10/2005 Nikolayev D15/9
D558,795 S * 1/2008 Saunders D15/7
D580,708 S * 11/2008 George D7/509
D663,746 S * 7/2012 Kwon D15/7
D669,095 S * 10/2012 Chang D15/7
8,403,665 B2 * 3/2013 Thomas A61C 17/0205
433/80
8,801,667 B2 * 8/2014 Taylor A61M 3/0279
604/151
D721,288 S * 1/2015 Sacks D10/57
D804,016 S * 11/2017 Ladwig D24/111

D805,109 S * 12/2017 Exley D15/7
D873,157 S * 1/2020 Gao D10/57
D902,385 S * 11/2020 Bondurant D24/111
D904,600 S * 12/2020 Yan D24/111
(Continued)

OTHER PUBLICATIONS

LLIVEKIT, Rechargeable Air Compressor Pump Mini, (first available Jul. 11, 2019), Amazon.com, URL:<<https://www.amazon.com/dp/B07V5S1K2H>> (Year: 2019).*
(Continued)

Primary Examiner — Sheryl Lane
Assistant Examiner — Mark T. Philipps
(74) *Attorney, Agent, or Firm* — WPAT, PC

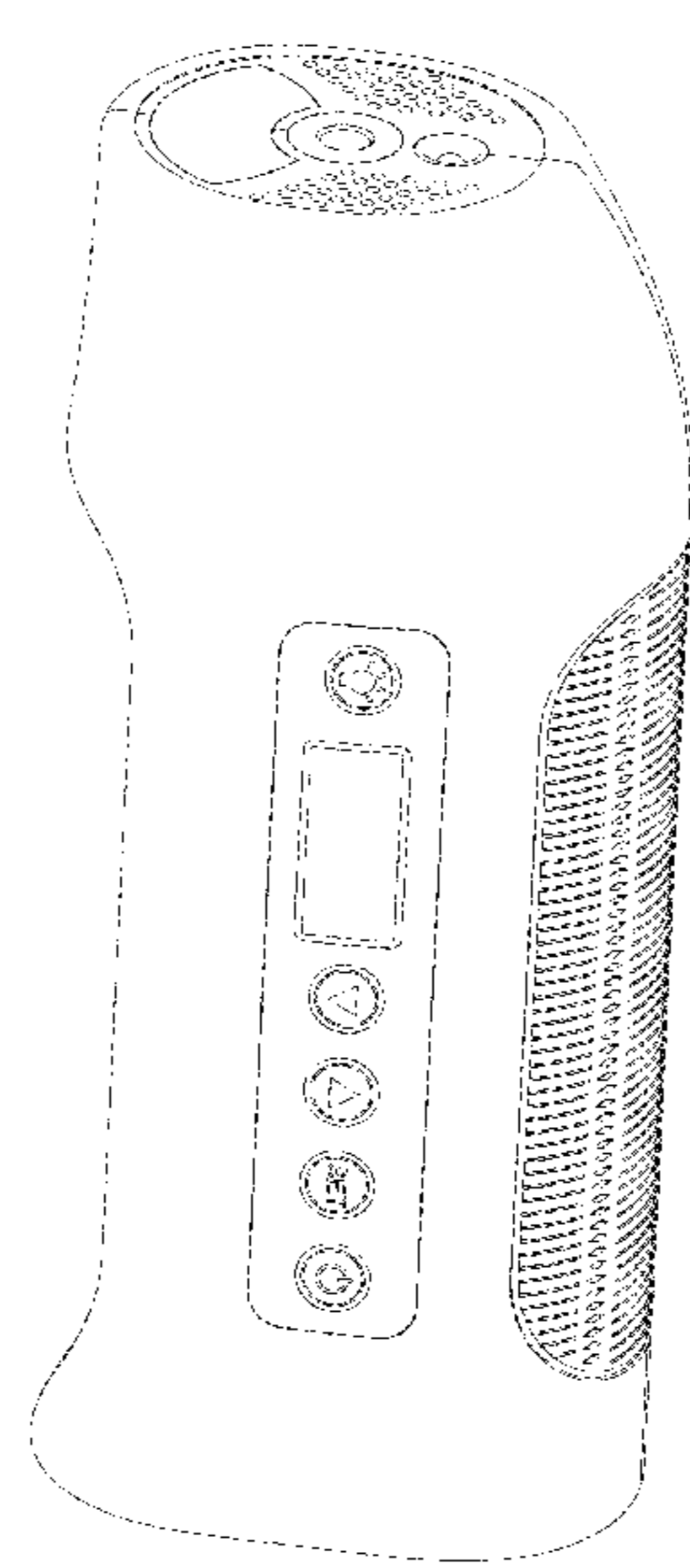
(57) **CLAIM**

The ornamental design for a digital inflator, as shown and described.

DESCRIPTION

FIG. 1 is a perspective view of a digital inflator showing our new design;
FIG. 2 is a front view thereof;
FIG. 3 is a rear view thereof;
FIG. 4 is a left side view thereof;
FIG. 5 is a right side view thereof;
FIG. 6 is a top view thereof;
FIG. 7 is a bottom view thereof;
FIG. 8 is an exemplary perspective view showing the digital inflator being used to pump; and,
FIG. 9 is an enlarge drawing of the area A annotated in FIG. 6.
The broken lines in FIG. 8 are for illustrating the cables connected to the digital inflator and forms no part of the claimed design. The broken lines in FIGS. 6 and 9 define the boundary of the enlarged view and form no part of the claimed design.

1 Claim, 9 Drawing Sheets



(56)

References Cited

U.S. PATENT DOCUMENTS

D905,118 S * 12/2020 Thun D15/7
D907,195 S * 1/2021 Li D24/111

OTHER PUBLICATIONS

CYCPLUS, Air Compressor Electric Air Pump 12 V Digital Tyre Pump Bicycle Air Pump Compressor for Bicycle, (first available Jan. 25, 2021), Amazon.com, URL:<<https://www.amazon.com/CYCPLUS-Compressor-Electric-Motorcycle-Basketball/dp/B08TWPXQ3B>> (Year: 2021).*

EUIPO, "Office Action dated Mar. 22, 2021", European Union Intellectual Property Office.

* cited by examiner

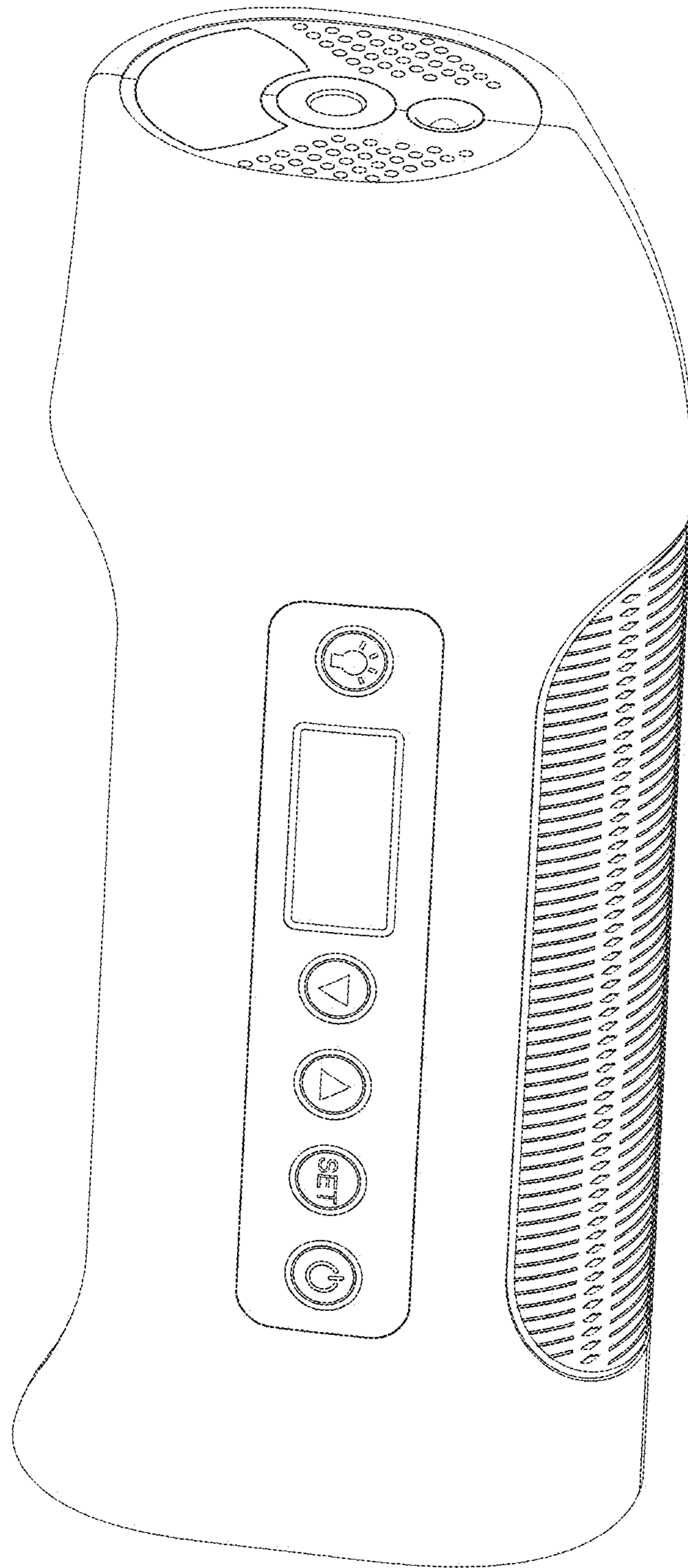


FIG. 1

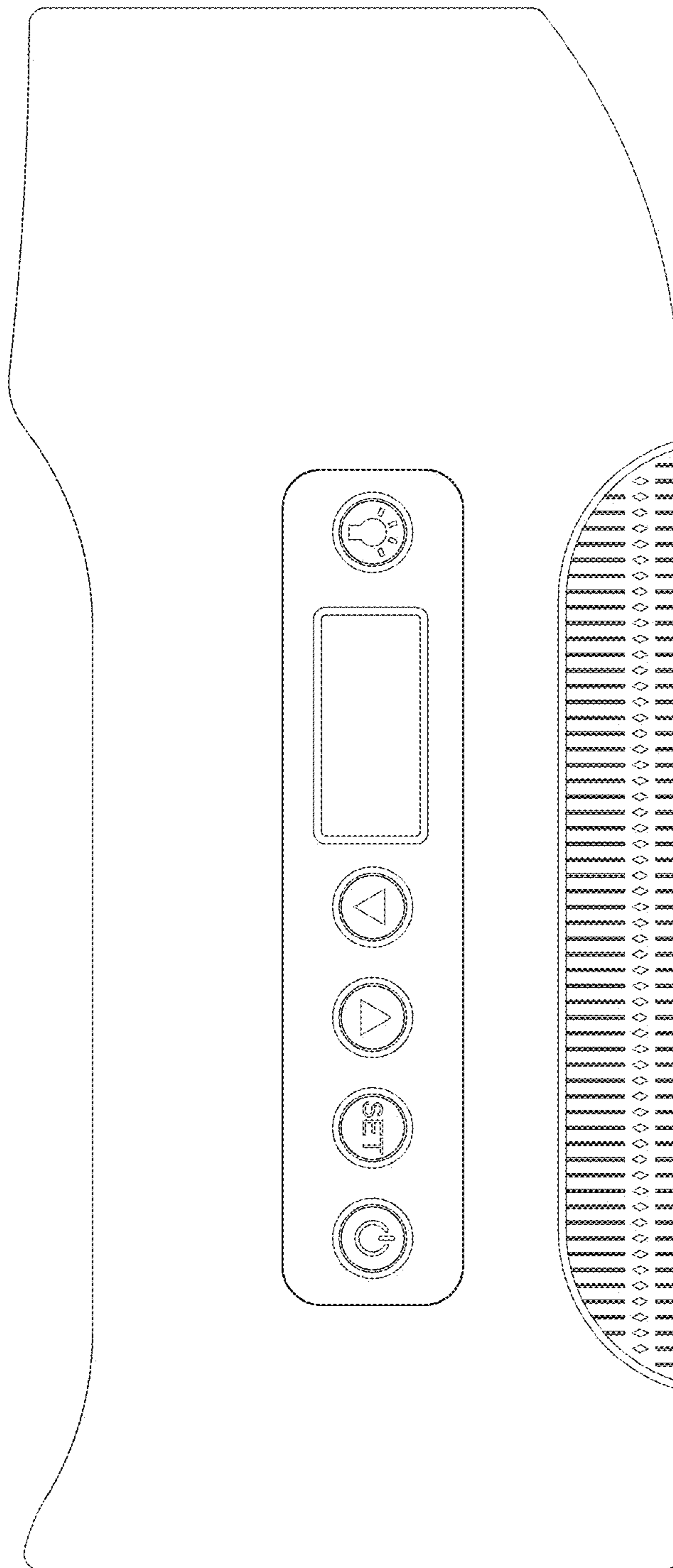


FIG. 2

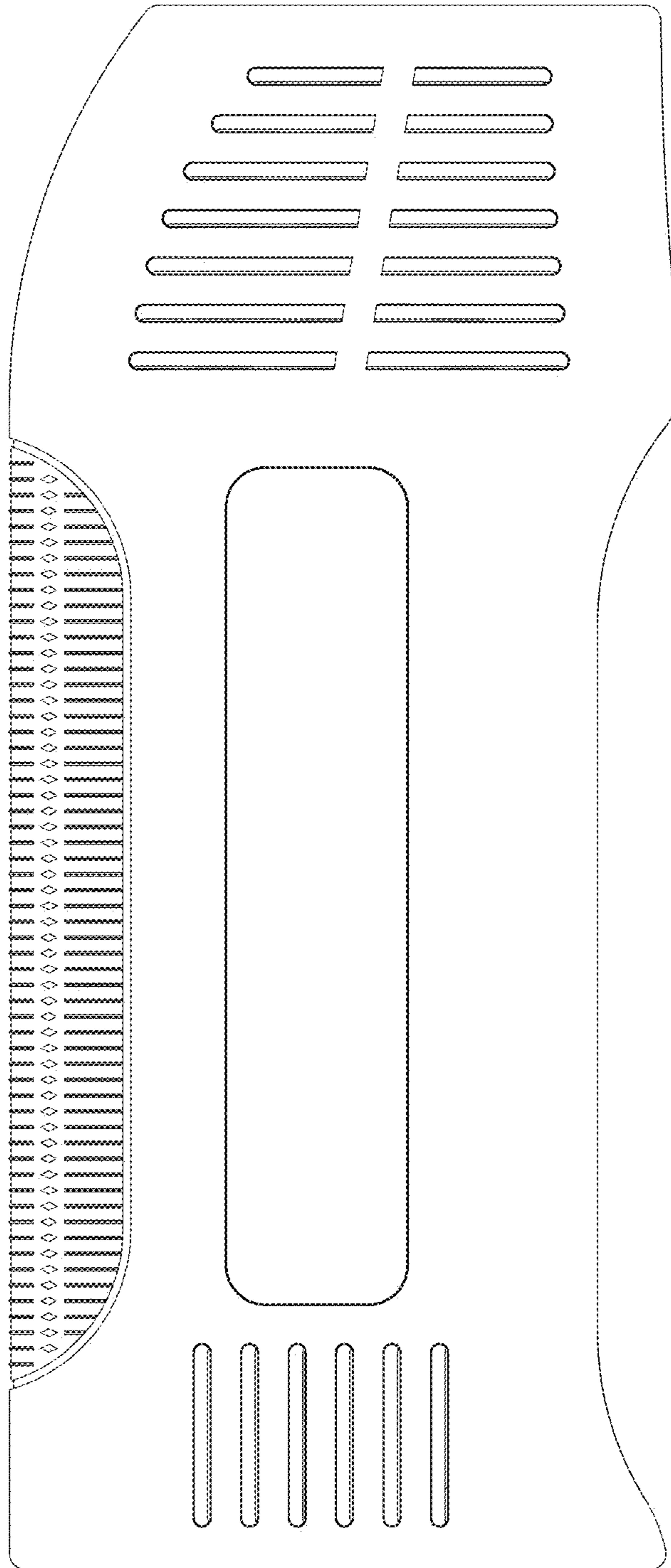


FIG. 3

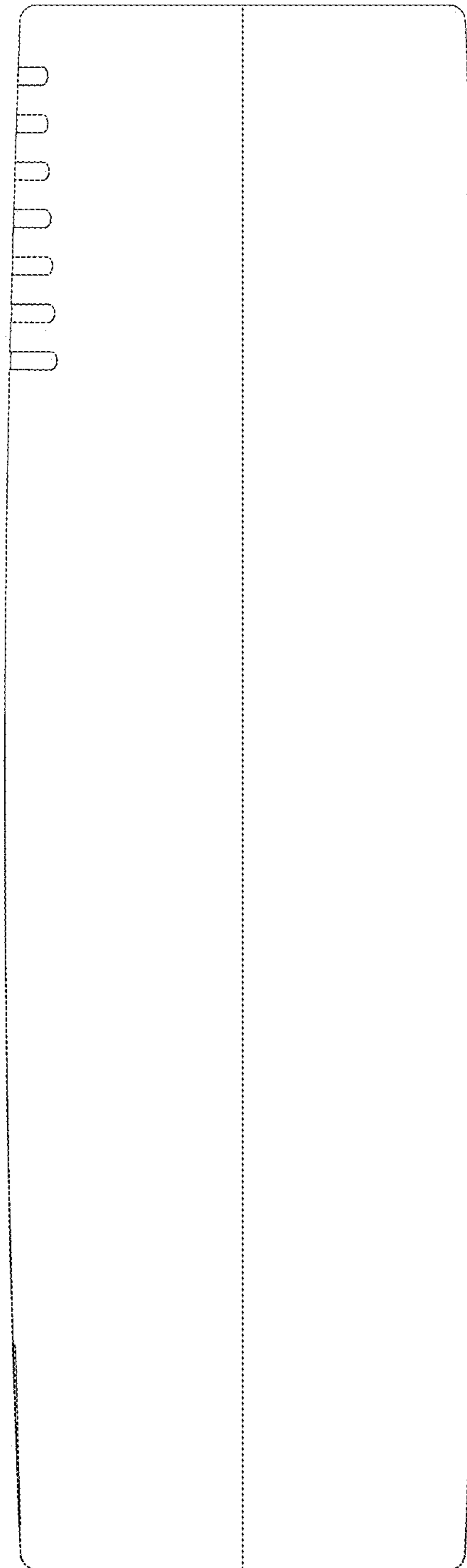


FIG. 4

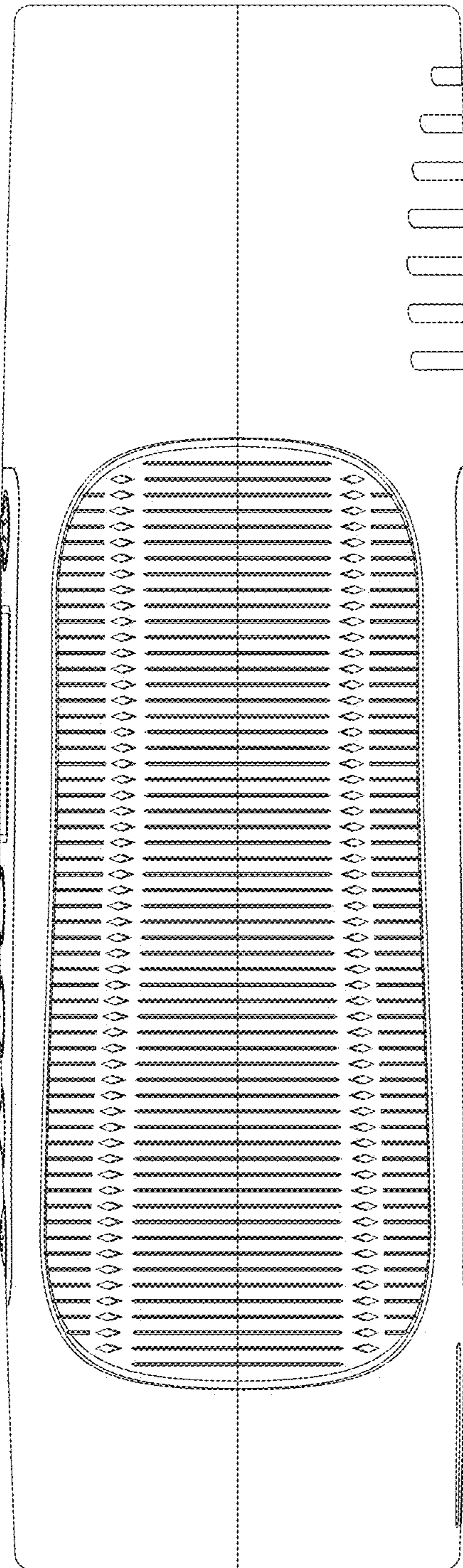


FIG. 5

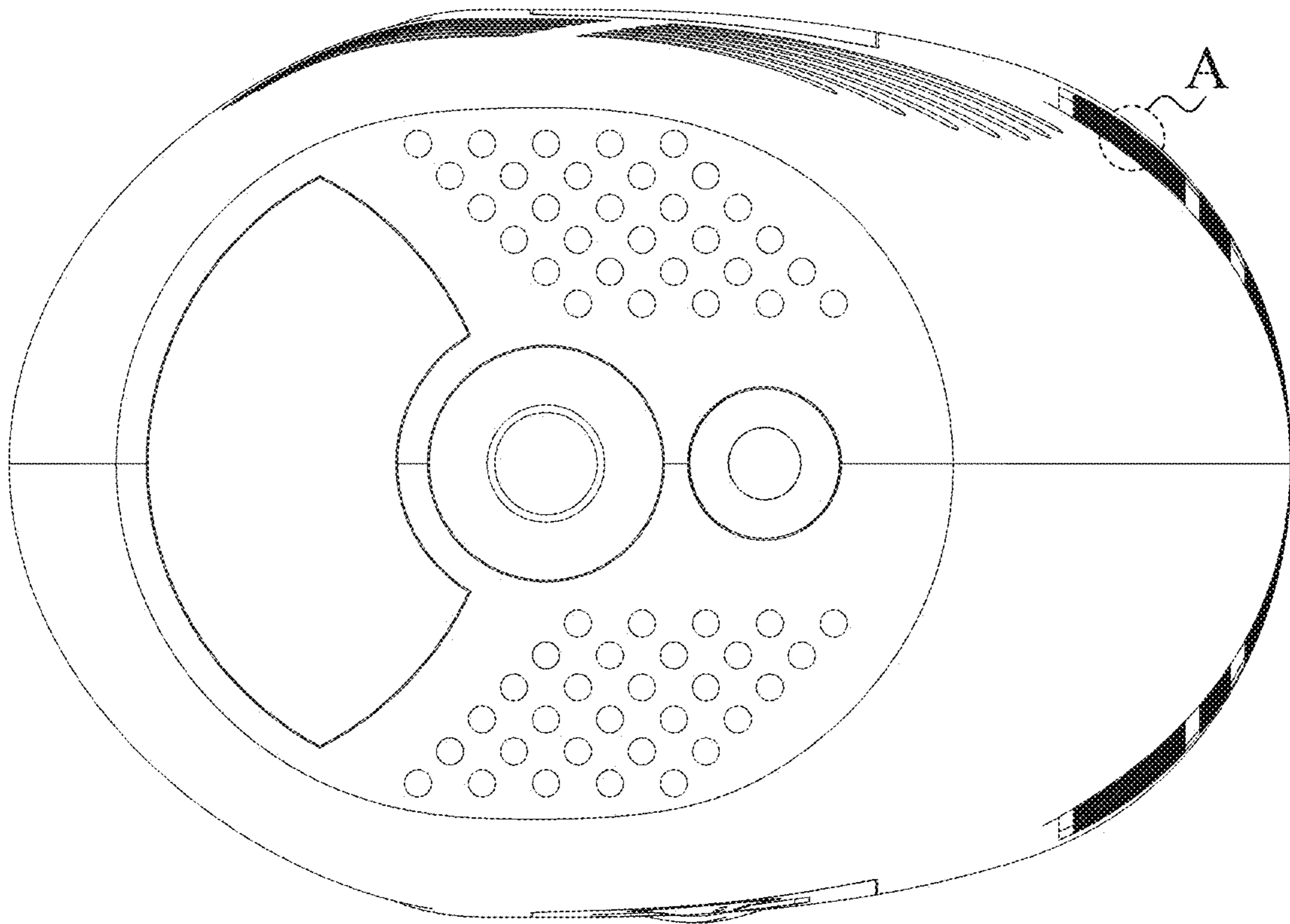


FIG. 6

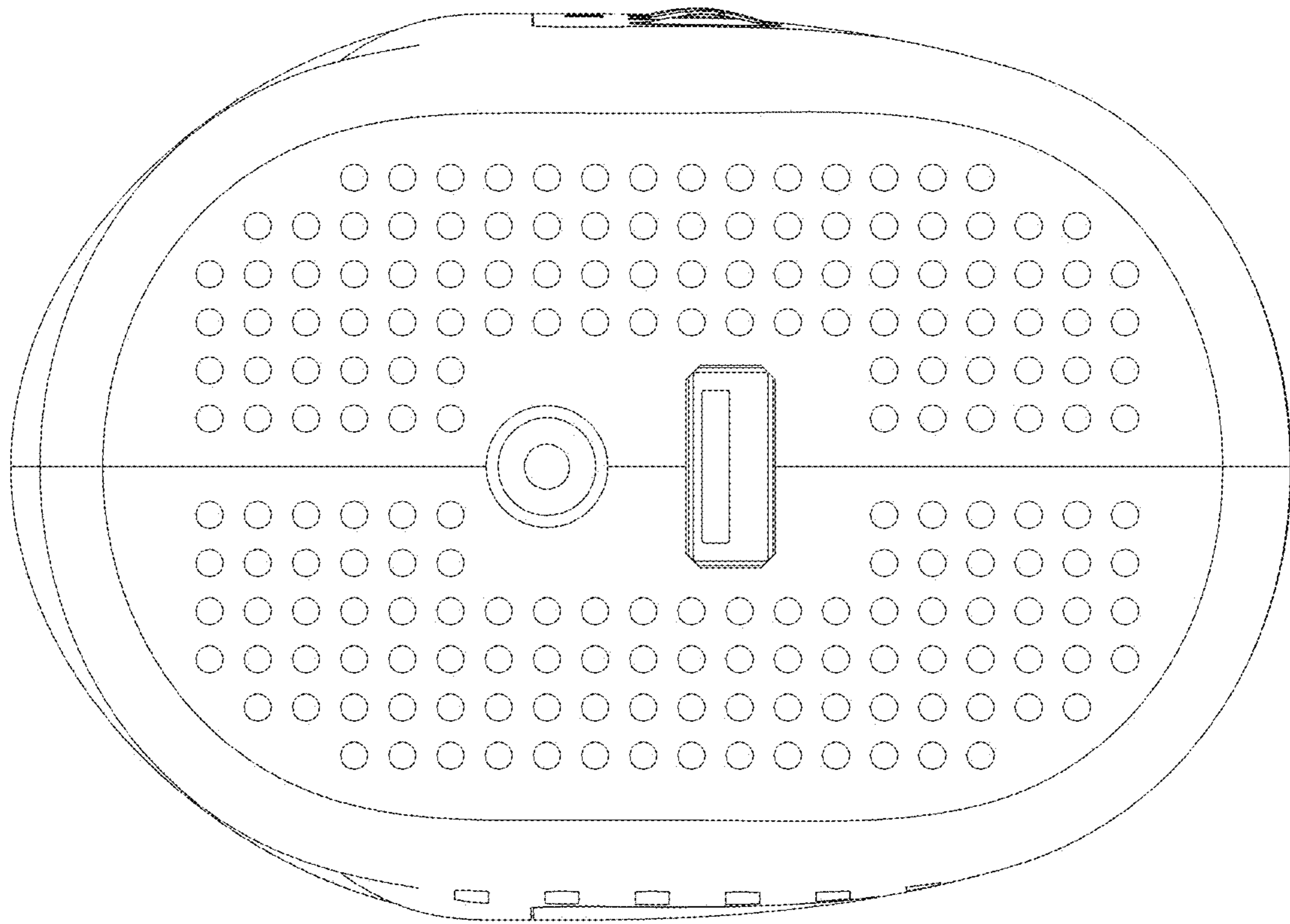


FIG. 7

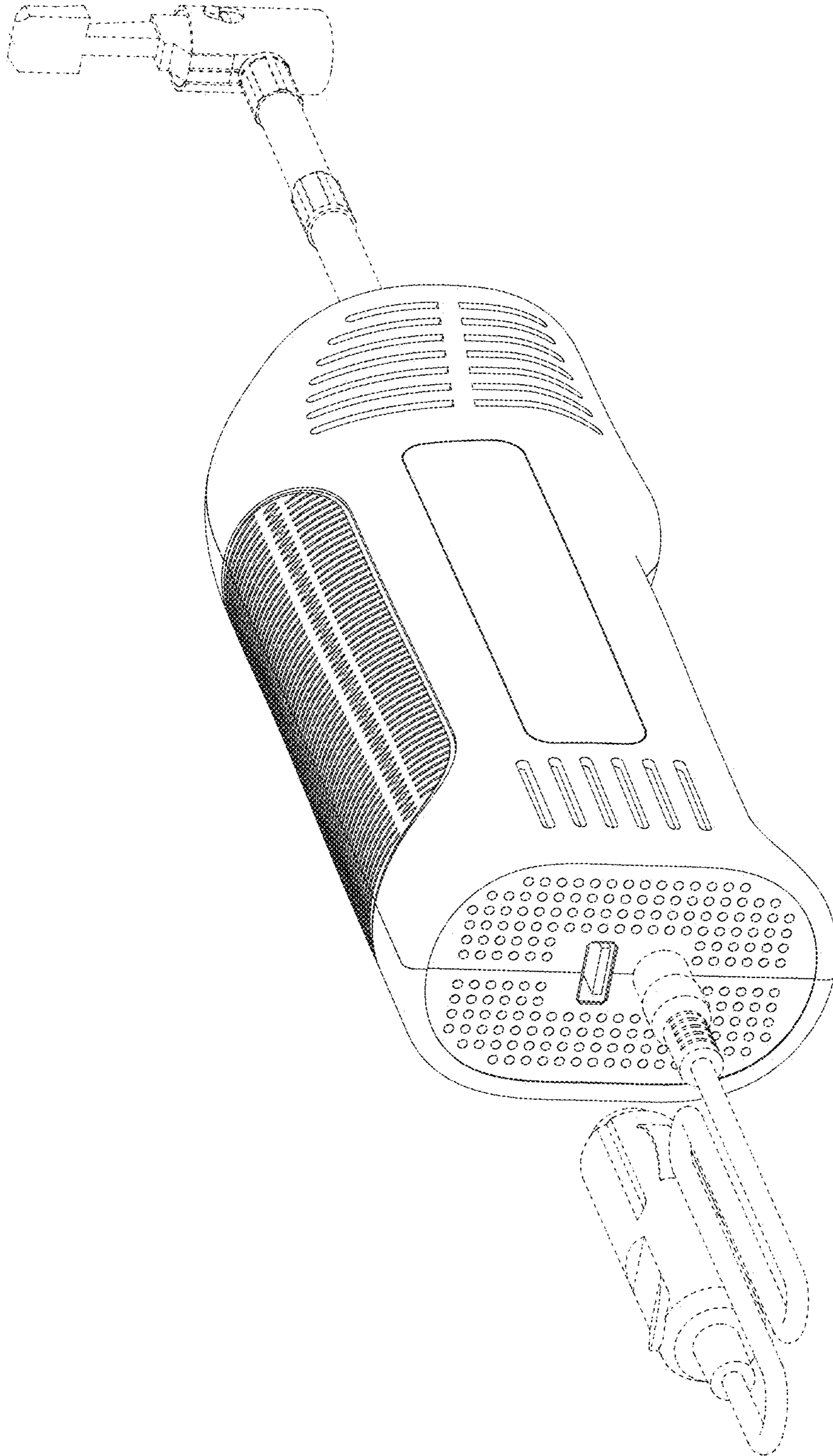


FIG. 8

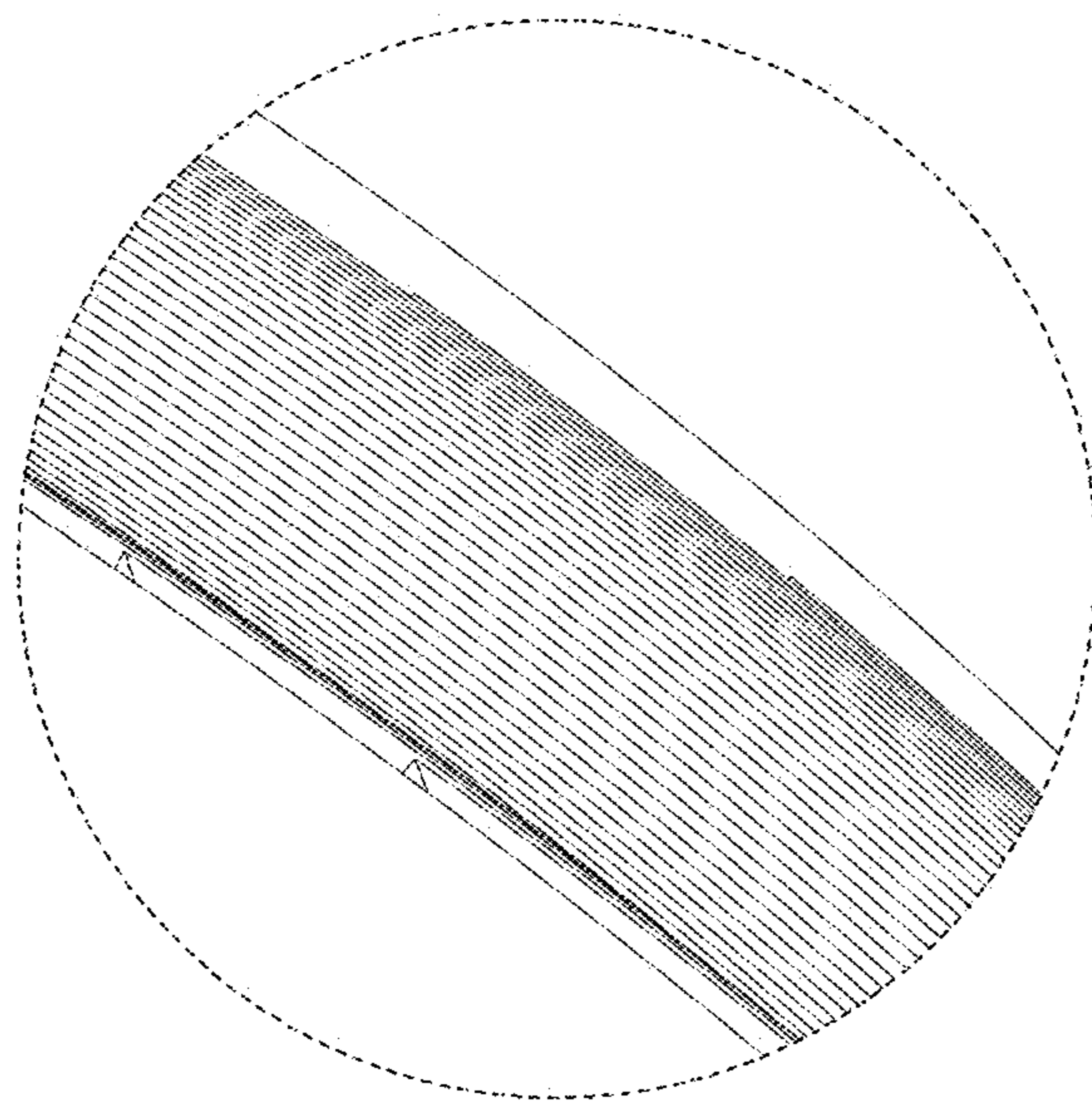


FIG. 9