

US00D930707S

(12) **United States Design Patent**
Taylor et al.

(10) **Patent No.:** **US D930,707 S**
(45) **Date of Patent:** **** Sep. 14, 2021**

(54) **VALVE** 7,237,529 B2 * 7/2007 Hannewald F02D 9/1065
123/337
(71) Applicant: **Cummins Ltd**, London (GB) 9,726,087 B2 * 8/2017 Coker F02D 9/1005
D868,838 S * 12/2019 Liang D15/5
(72) Inventors: **Tain M. Taylor**, West Yorkshire (GB); 10,794,299 B2 * 10/2020 Lee F16K 31/043
Sagar A. Hore, West Yorkshire (GB); 10,823,088 B2 * 11/2020 Zeumer F02D 9/10
Mark R. Holden, West Yorkshire (GB) * cited by examiner

(73) Assignee: **Cummins Ltd.**, London (GB) *Primary Examiner* — Gino Colan
(**) Term: **15 Years** (74) *Attorney, Agent, or Firm* — Faegre Drinker Biddle & Reath LLP

(21) Appl. No.: **29/715,978**

(22) Filed: **Dec. 5, 2019**

(30) **Foreign Application Priority Data**

Jun. 7, 2019 (EP) 006570164-0002

(51) **LOC (13) Cl.** **15-01**

(52) **U.S. Cl.**
USPC **D15/5**

(58) **Field of Classification Search**
USPC D23/233–237, 241–249; D15/1, 5
CPC F16K 1/221; F16K 31/043; F16K 31/535;
F16K 5/0464; F02D 9/1065; F02D 9/08;
F02D 2009/0294

See application file for complete search history.

(56) **References Cited**

U.S. PATENT DOCUMENTS

D474,831 S * 5/2003 Taylor D23/233
D476,719 S * 7/2003 Taylor D23/233

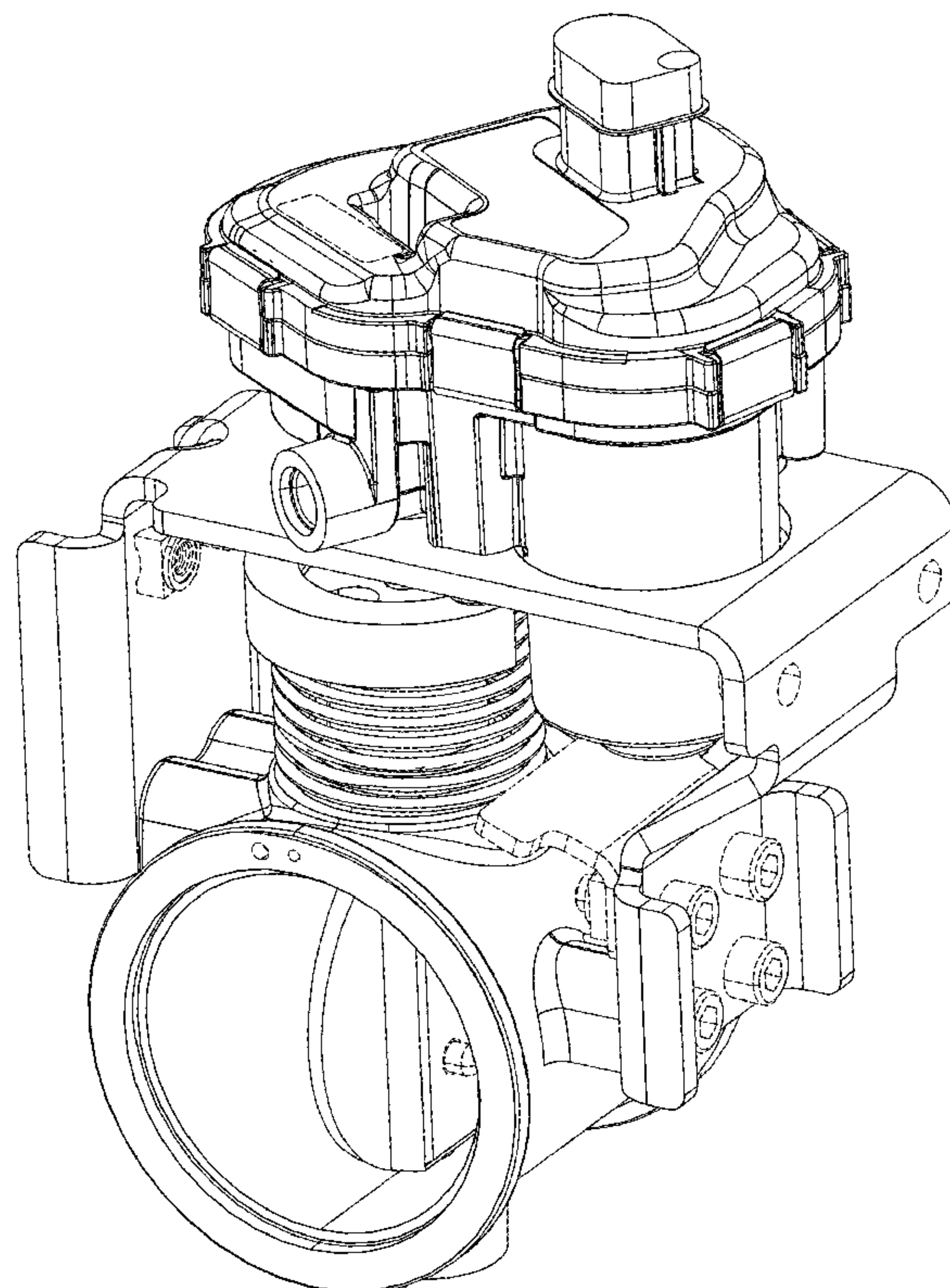
(57) **CLAIM**

We claim the ornamental designs for the valve, as shown and described.

DESCRIPTION

FIG. 1 is a front perspective view of a valve showing our new design;
FIG. 2 is a first side view thereof;
FIG. 3 is an opposing side view thereof;
FIG. 4 is a front view thereof;
FIG. 5 is a rear view thereof;
FIG. 6 is a top view thereof; and,
FIG. 7 is a bottom view thereof.
The portions of the valve shown in broken lines form no part of the claimed design.

1 Claim, 7 Drawing Sheets



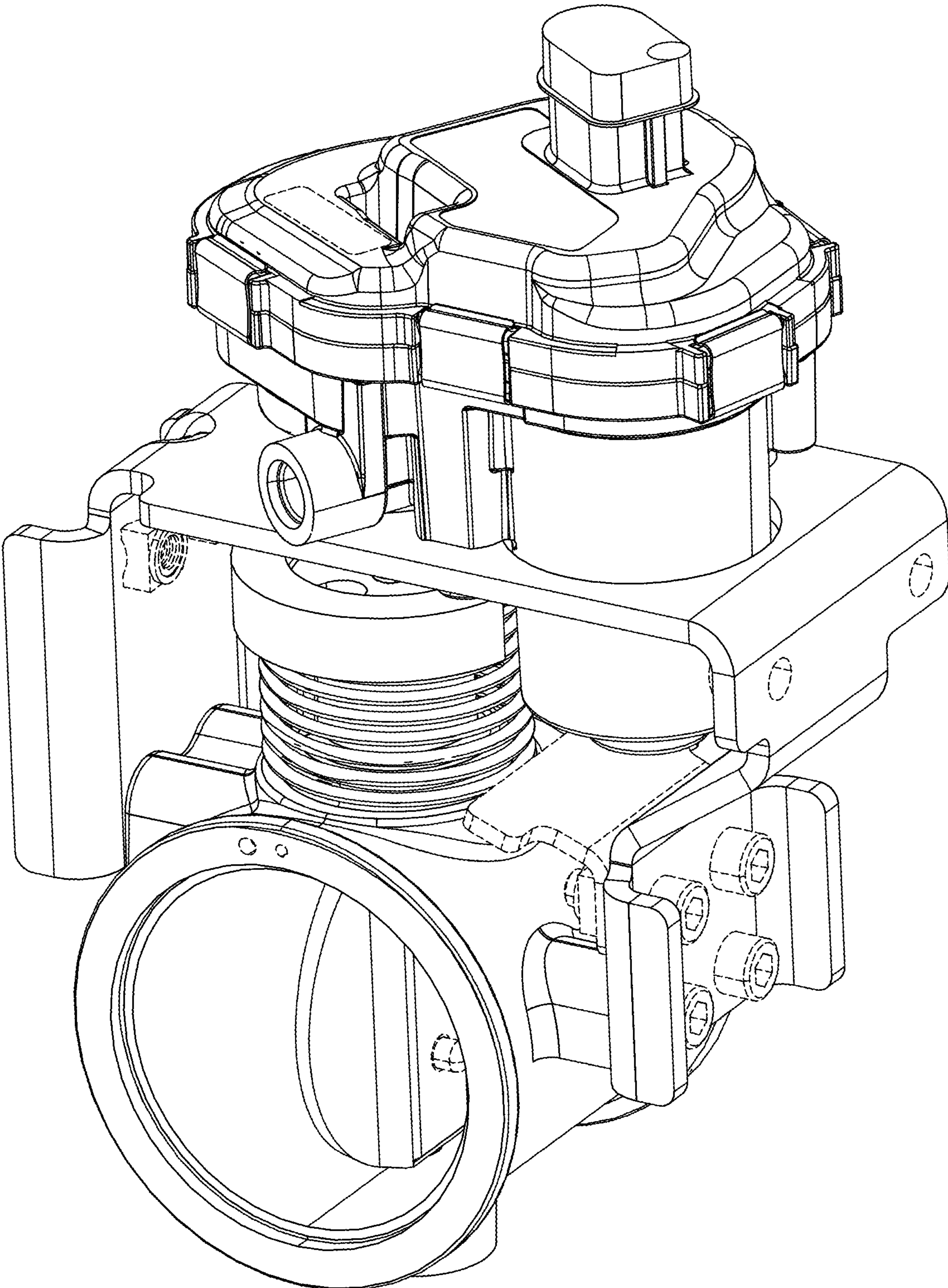


Fig. 1

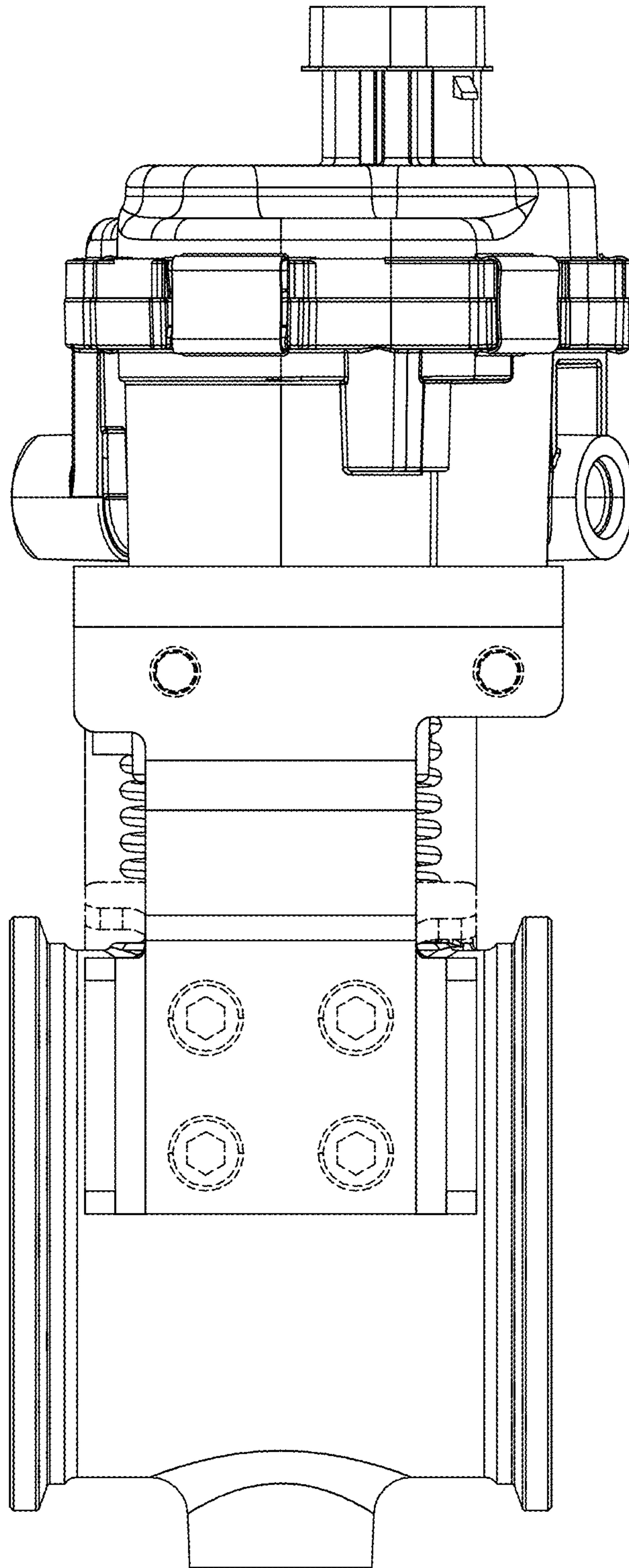


Fig. 2

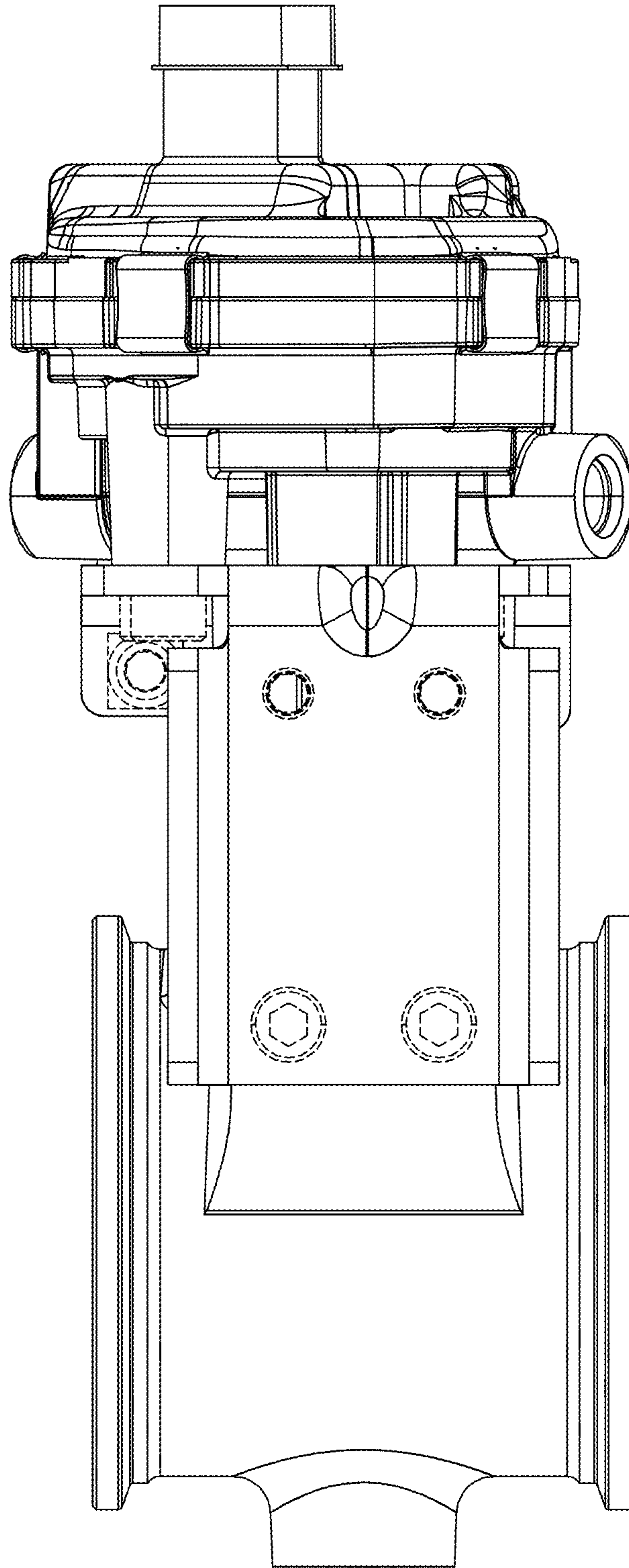


Fig. 3

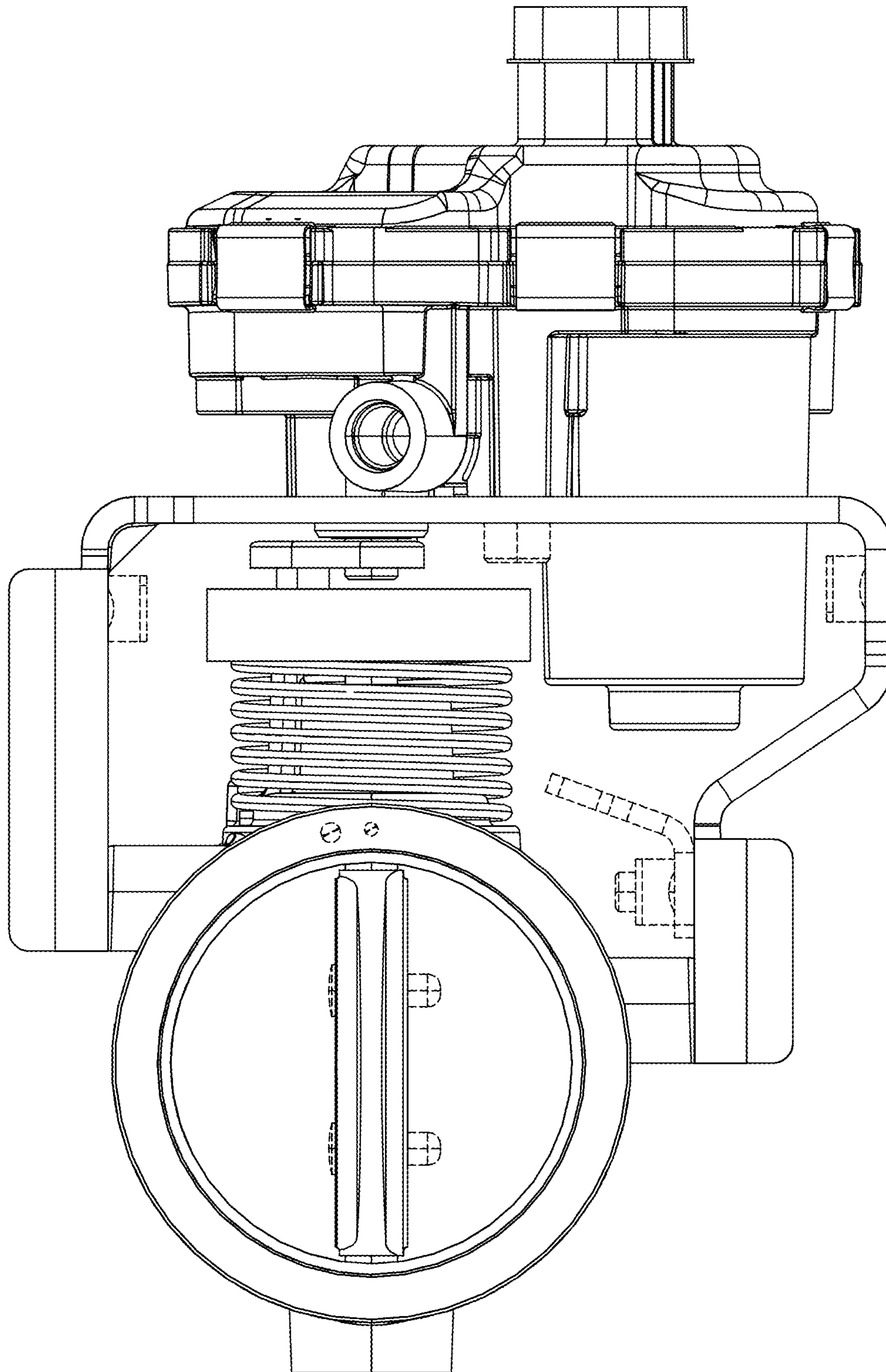


Fig. 4

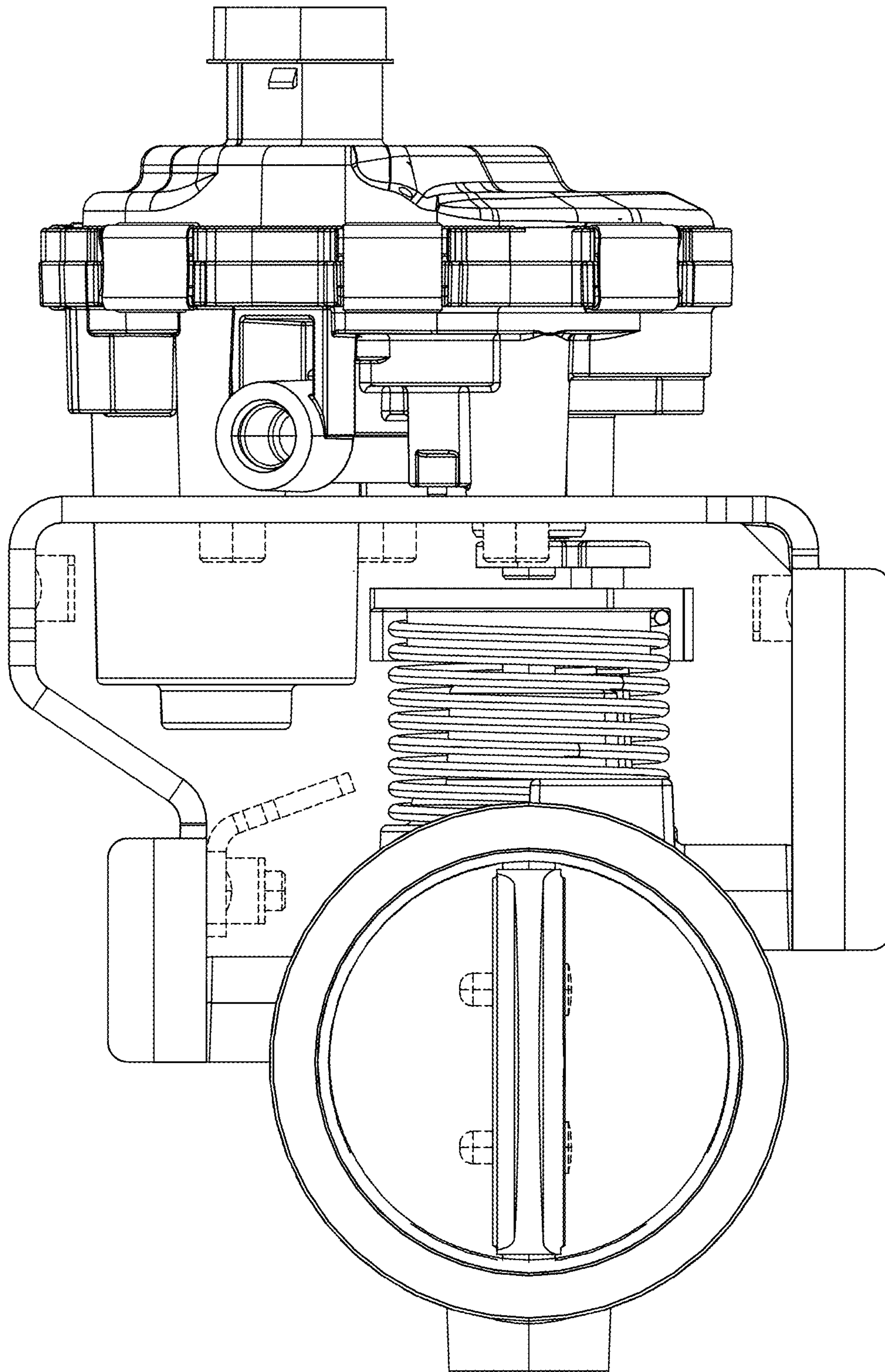


Fig. 5

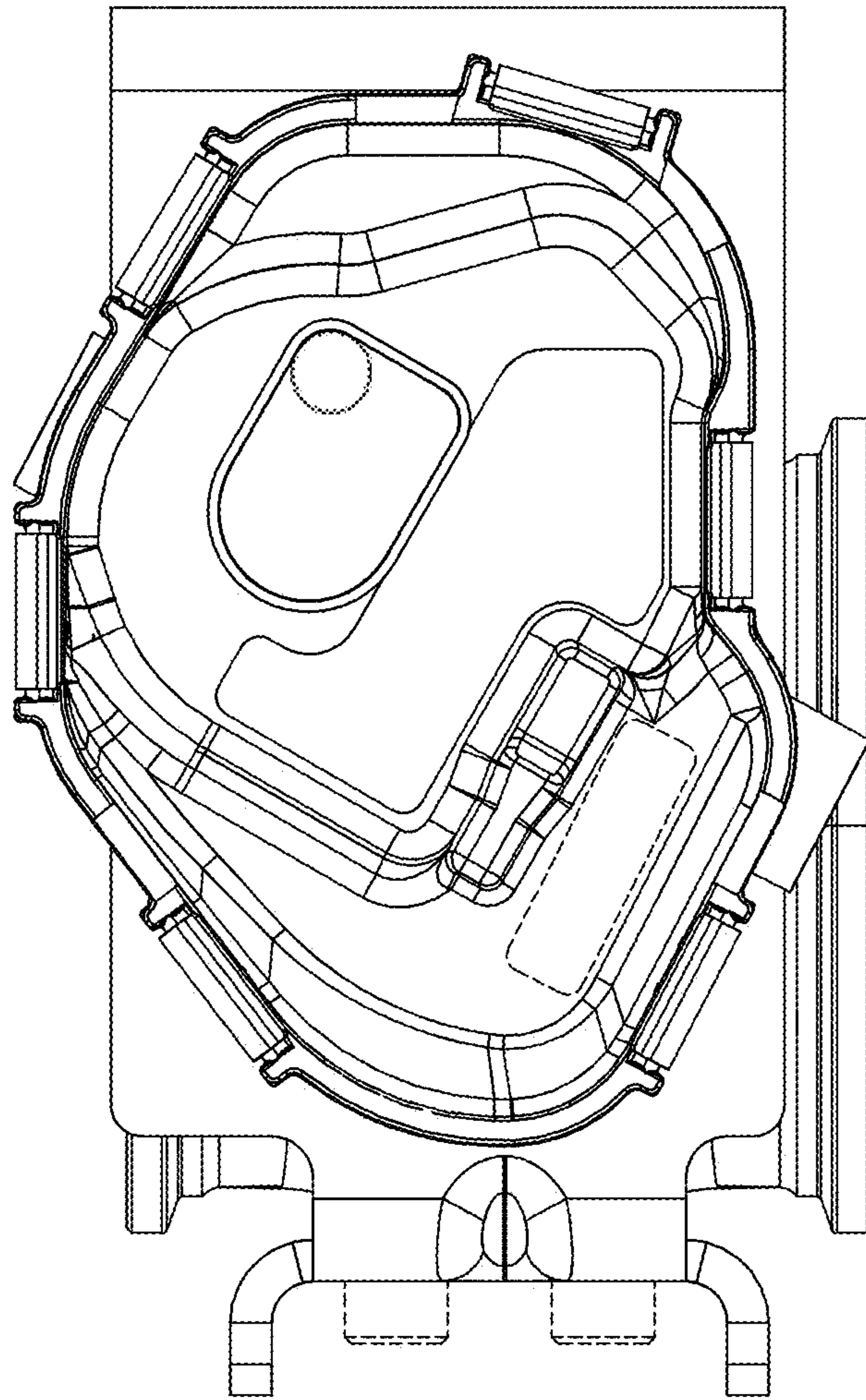


Fig. 6

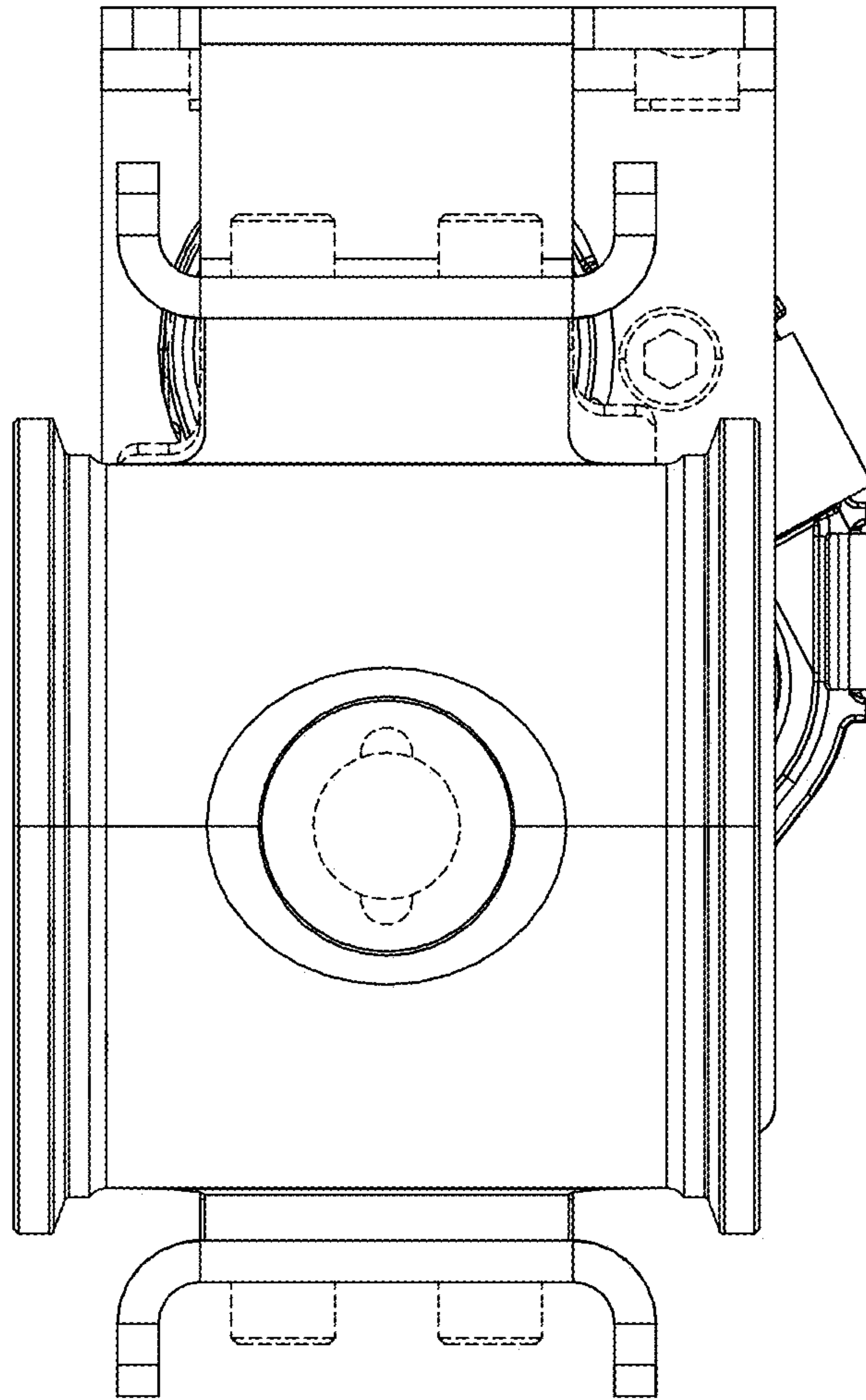


Fig. 7