

US00D930706S

(12) **United States Design Patent**
Keiffer et al.

(10) **Patent No.:** **US D930,706 S**

(45) **Date of Patent:** **** Sep. 14, 2021**

(54) **SUPERCHARGER**

(71) Applicant: **Eaton Intelligent Power Limited**,
Dublin (IE)

(72) Inventors: **Justin L. Keiffer**, Nashville, MI (US);
Eric Locker, Portage, MI (US);
Krzysztof Sikora, Tczew (PL);
Krzysztof Holz, Tczew (PL); **Ashok Shinde**, Pune (IN); **Sandeep Kumar**, Pune (IN); **Justin Hopkins**, Saint Louis, MO (US); **Nathan DeVille**, Marshall, MI (US); **Andrew Meyers**, Marshall, MI (US)

(73) Assignee: **Eaton Intelligent Power Limited**,
Dublin (IE)

(**) Term: **15 Years**

(21) Appl. No.: **29/693,848**

(22) Filed: **Jun. 5, 2019**

Related U.S. Application Data

(63) Continuation-in-part of application No. 29/655,638,
filed on Jul. 5, 2018.

(51) **LOC (13) Cl.** **15-01**

(52) **U.S. Cl.**
USPC **D15/5**

(58) **Field of Classification Search**

USPC D15/1-5
CPC F16D 2500/1068; F16D 3/00; F16D 3/12;
F16D 3/64; F16D 3/68; F16D 3/70; F16D
3/78; F04C 18/126; F04C 27/005; F04C
29/122; F02B 33/00; F02B 33/34; F02B
33/36; F02B 33/38; F02B 33/44; F02B
39/04; F02B 39/12

See application file for complete search history.

(56) **References Cited**

U.S. PATENT DOCUMENTS

5,083,907 A * 1/1992 Brownell F04C 29/12
417/440

7,726,286 B2 6/2010 Prior et al.
(Continued)

OTHER PUBLICATIONS

D. Ouwenga, TVS2 Technology: Improving Supercharger Efficiency and Capability, (site visited Aug. 26, 2020), EATON, white paper. (Year: 2020).*

Primary Examiner — Sheryl Lane

Assistant Examiner — Mark T. Philipps

(74) *Attorney, Agent, or Firm* — RMCK Law Group PLC

(57) **CLAIM**

The ornamental design for a supercharger, as shown and described.

DESCRIPTION

FIG. 1 is a bottom perspective view of a supercharger housing in accordance with an example of the present teachings.

FIG. 2 is a top perspective view of the supercharger housing of FIG. 1.

FIG. 3 is a first side view of the supercharger housing of FIG. 1.

FIG. 4 is a second side view of the supercharger housing of FIG. 1.

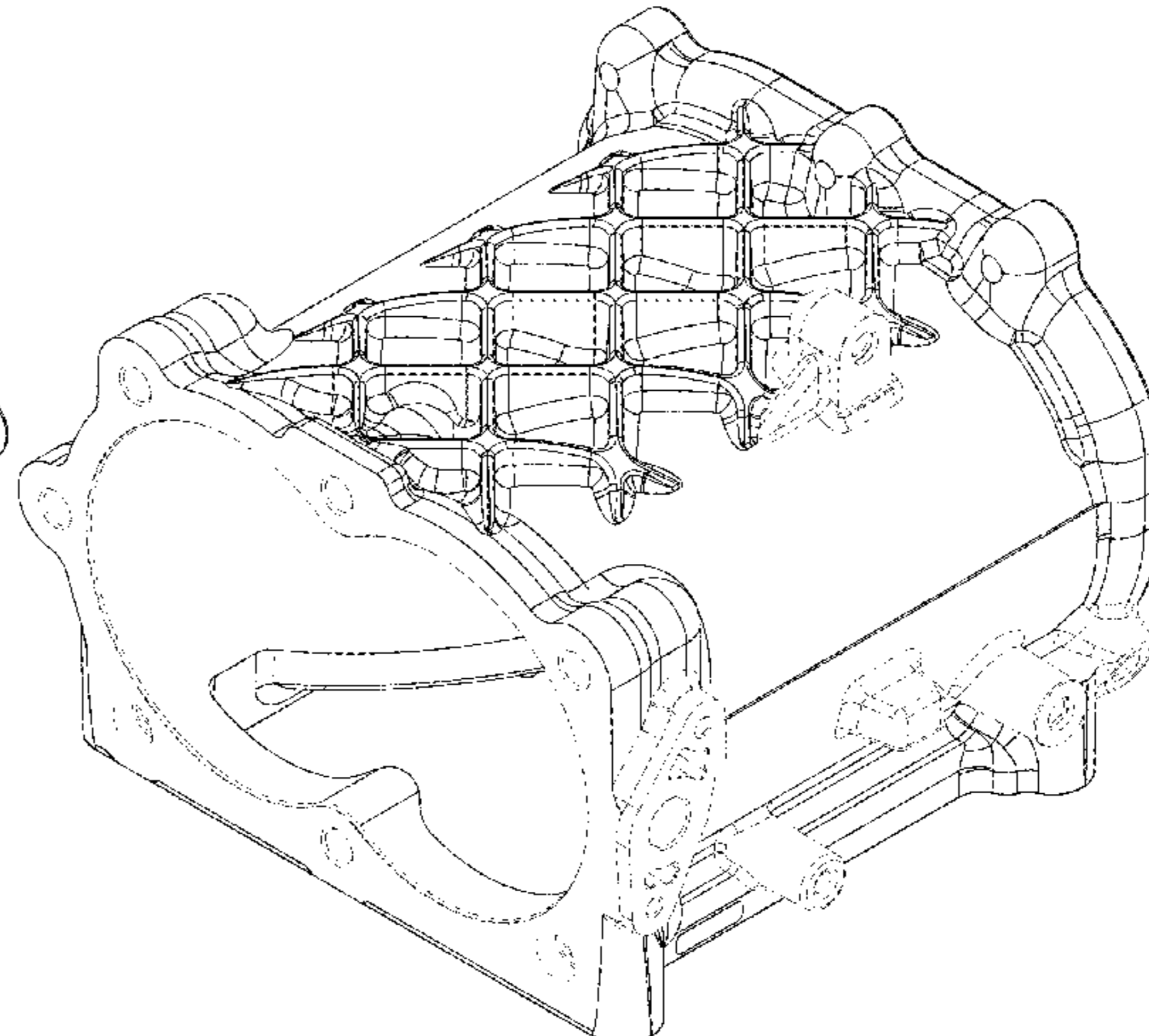
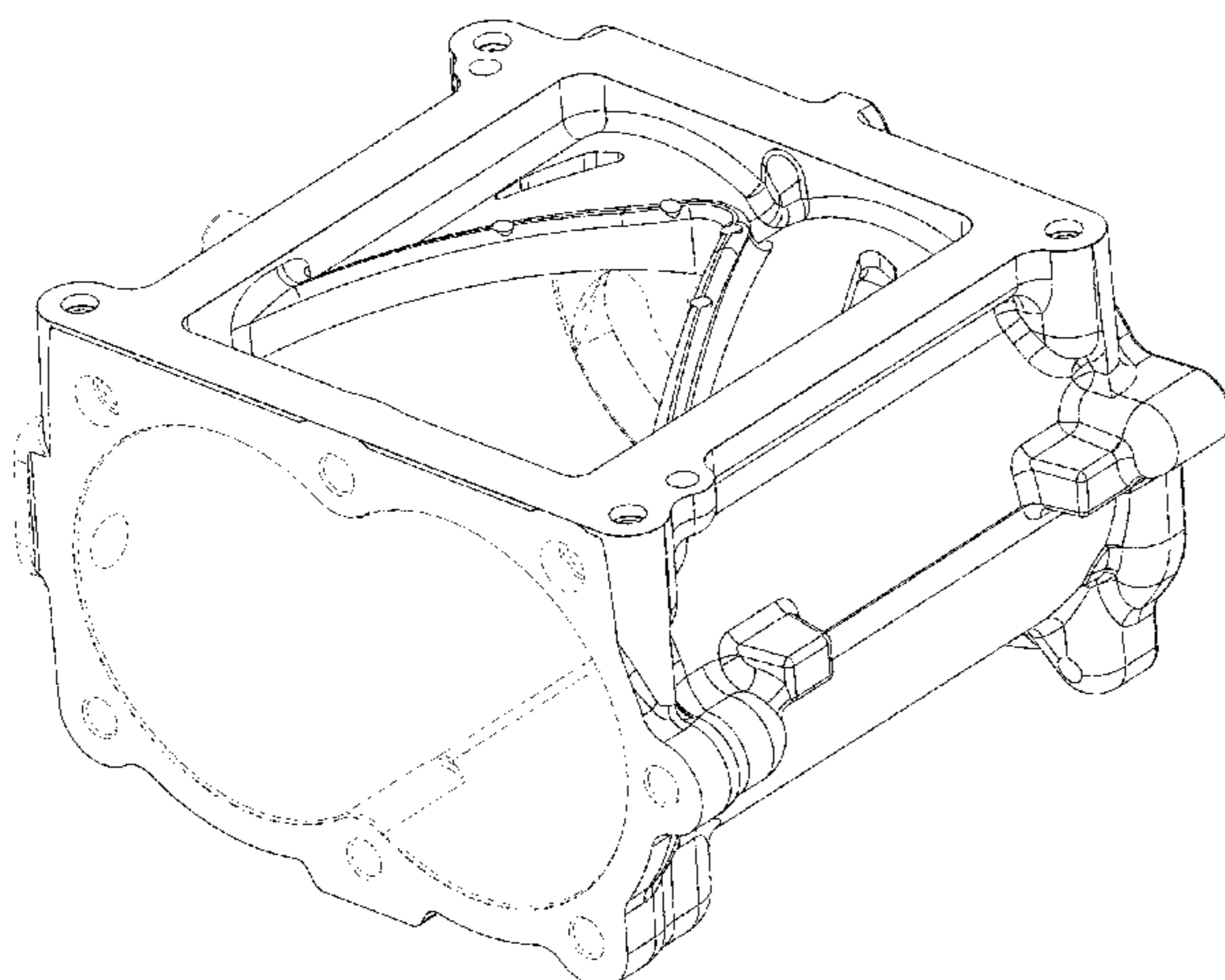
FIG. 5 is a rear view of the supercharger housing of FIG. 1.

FIG. 6 is a front view of the supercharger housing of FIG. 1.

FIG. 7 is a top view of the supercharger housing of FIG. 1; and,

FIG. 8 is bottom view of the supercharger housing of FIG. 1.

(Continued)



Any portion of the supercharger shown in broken lines is for the purpose of illustrating environmental structure and forms no part of the claimed design.

1 Claim, 8 Drawing Sheets

(56)

References Cited

U.S. PATENT DOCUMENTS

D718,043 S *	11/2014	Hamburger	D3/5
D732,081 S	6/2015	Northrop et al.	
D786,933 S *	5/2017	Li	D15/5
D788,174 S *	5/2017	Rienas	D15/5
D816,717 S *	5/2018	Kulkarni	D15/5
D819,084 S *	5/2018	Brady	D15/5
2004/0194766 A1 *	10/2004	Prior	F01C 11/008 123/559.1
2006/0263230 A1 *	11/2006	Swartzlander	F04C 18/084 418/196

2008/0060623 A1 *	3/2008	Prior	F04C 29/04 123/559.1
2008/0168961 A1 *	7/2008	Prior	F02M 35/104 123/184.57
2008/0271719 A1 *	11/2008	Prior	F02B 33/40 123/559.1
2008/0292487 A1 *	11/2008	Prior	F02B 33/38 418/194
2010/0269797 A1 *	10/2010	Prior	F04C 29/061 123/559.1
2014/0017101 A1 *	1/2014	Staley	F02B 33/38 417/319
2015/0252719 A1	9/2015	Pryor et al.	
2016/0003129 A1 *	1/2016	Swartzlander	F04C 18/126 418/1
2016/0003249 A1 *	1/2016	Ouwenga	F02B 37/04 418/1
2016/0003250 A1 *	1/2016	McWilliams	F02B 33/38 418/206.2
2020/0080558 A1 *	3/2020	Peterson	F02B 33/38

* cited by examiner

FIG - 1

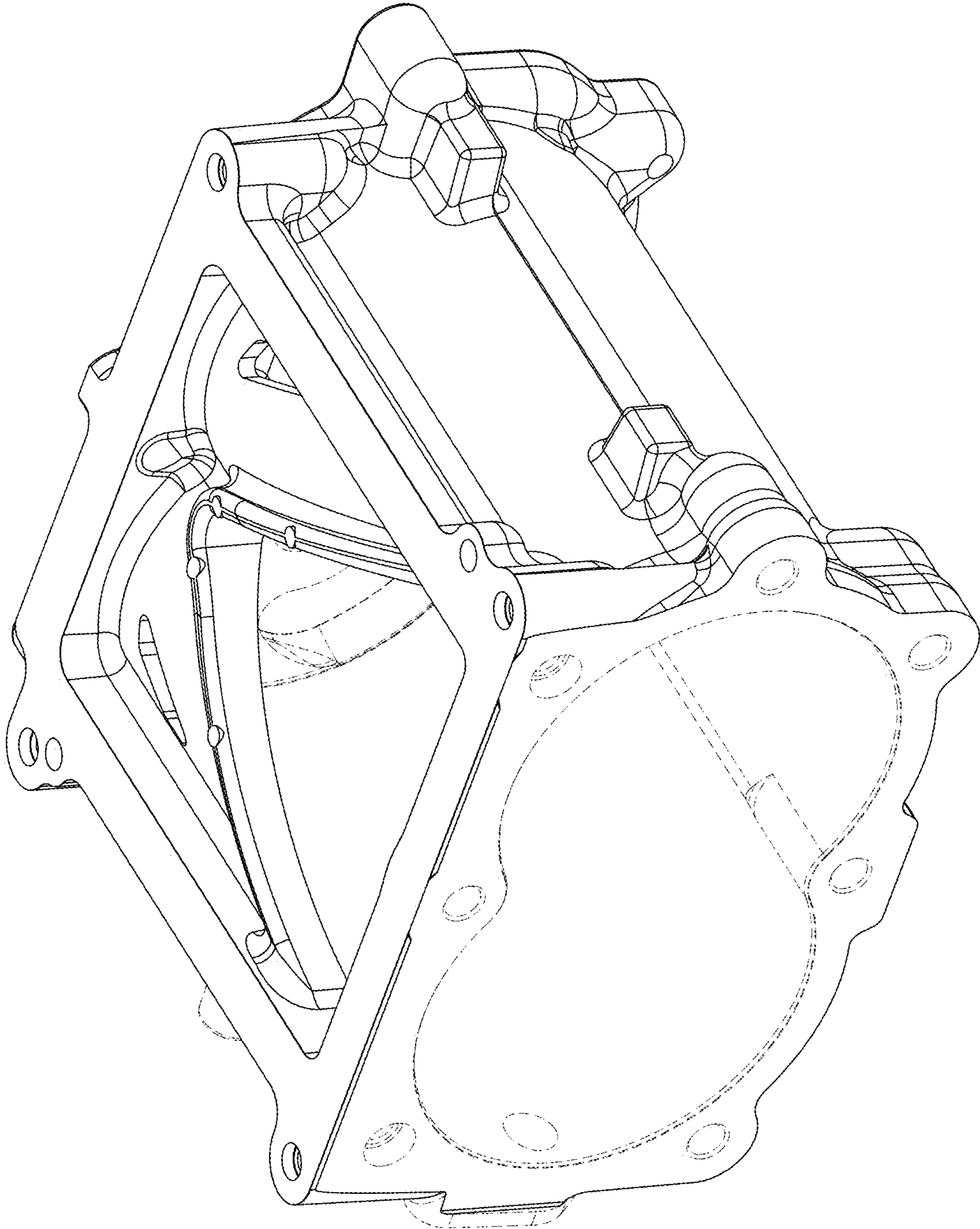
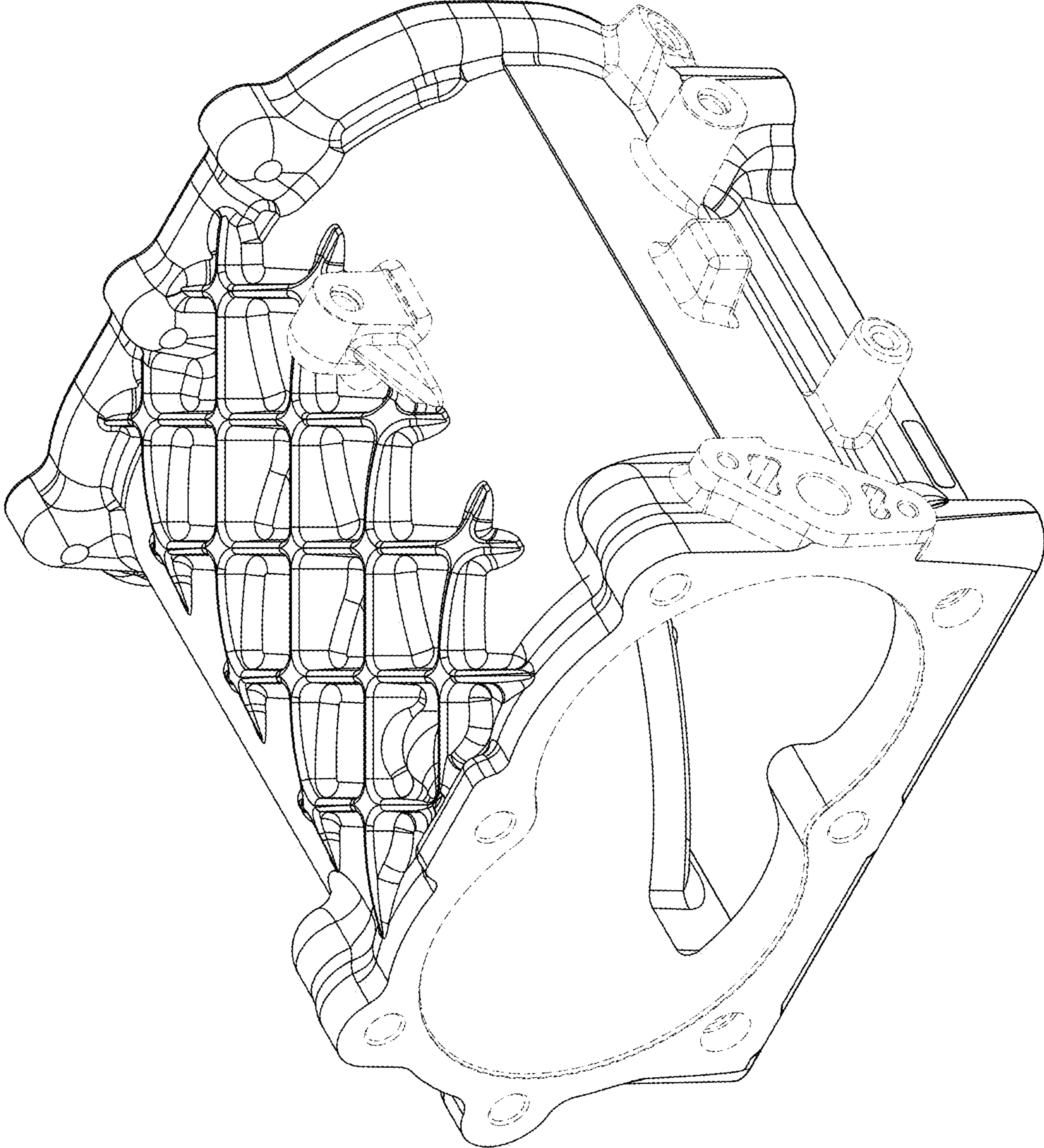


FIG - 2



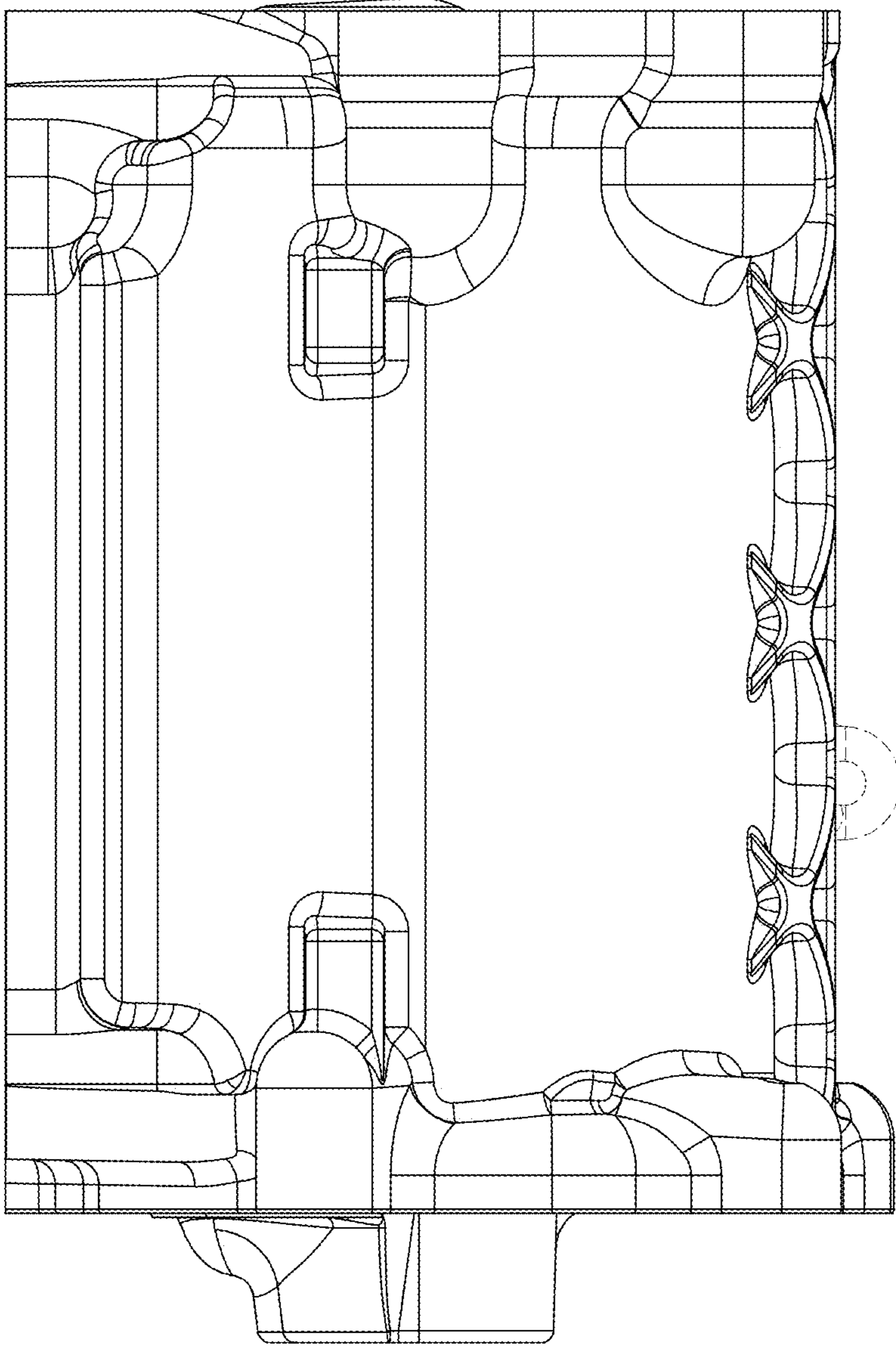
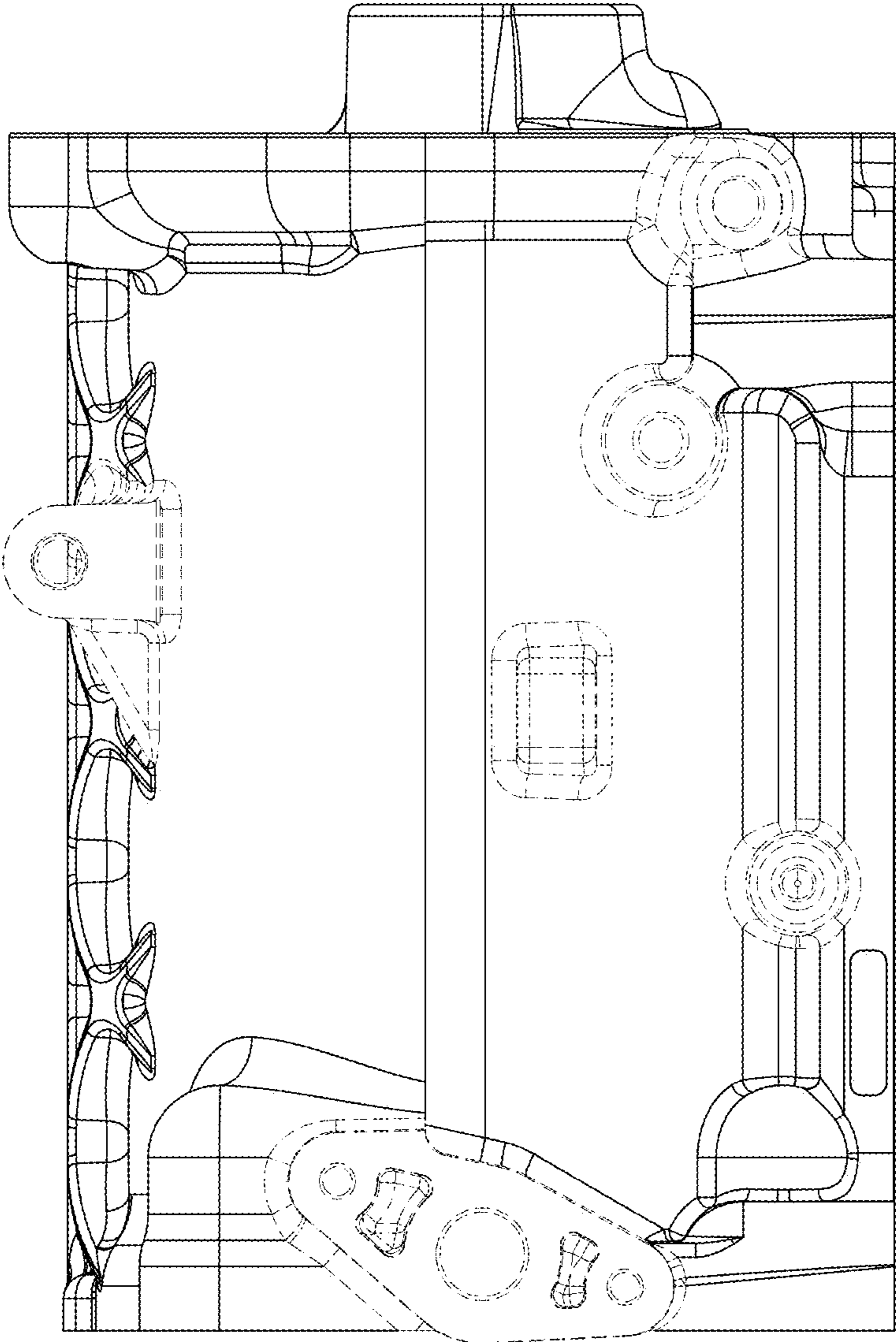


FIG - 3

FIG - 4



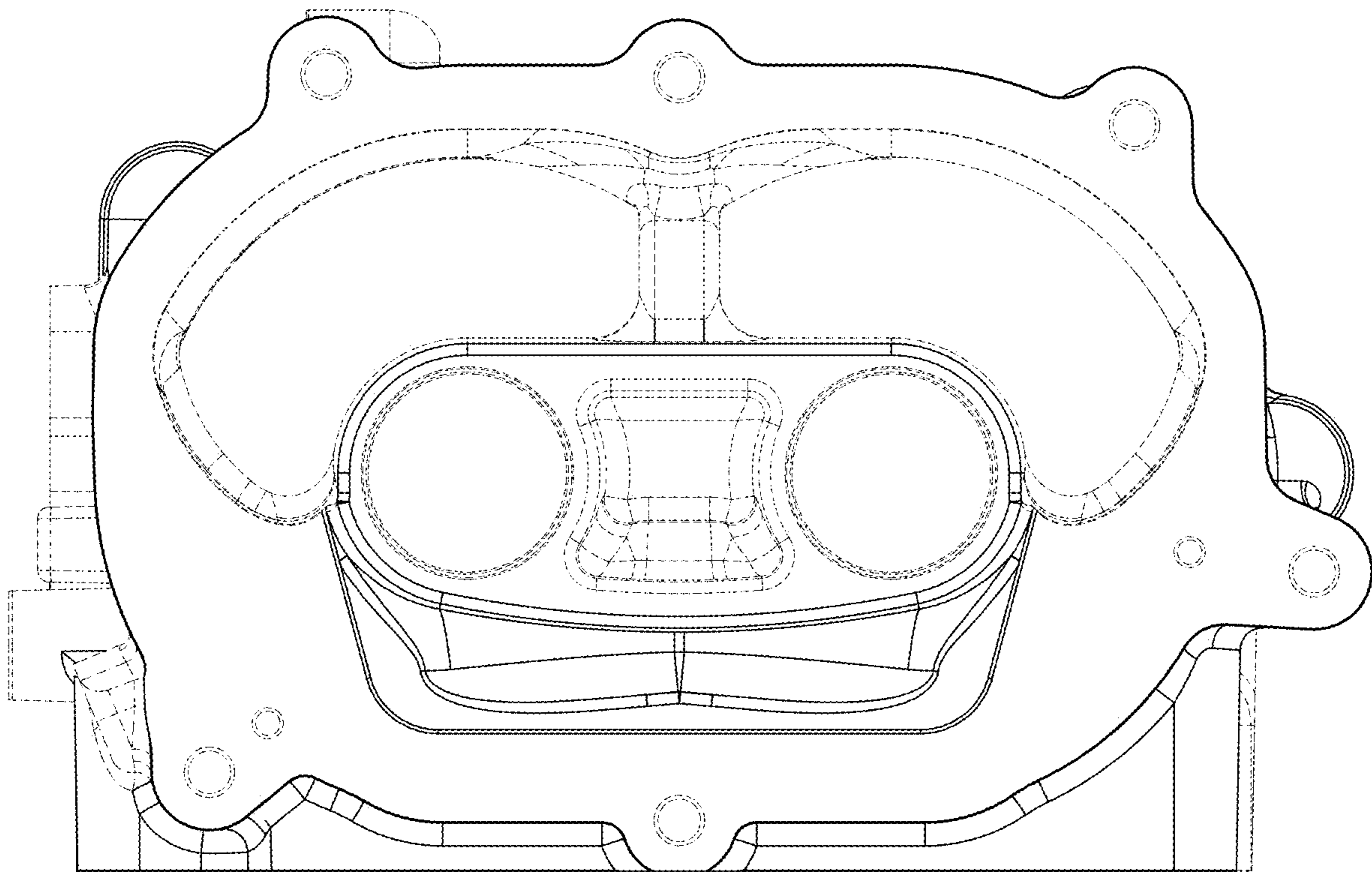


FIG - 5

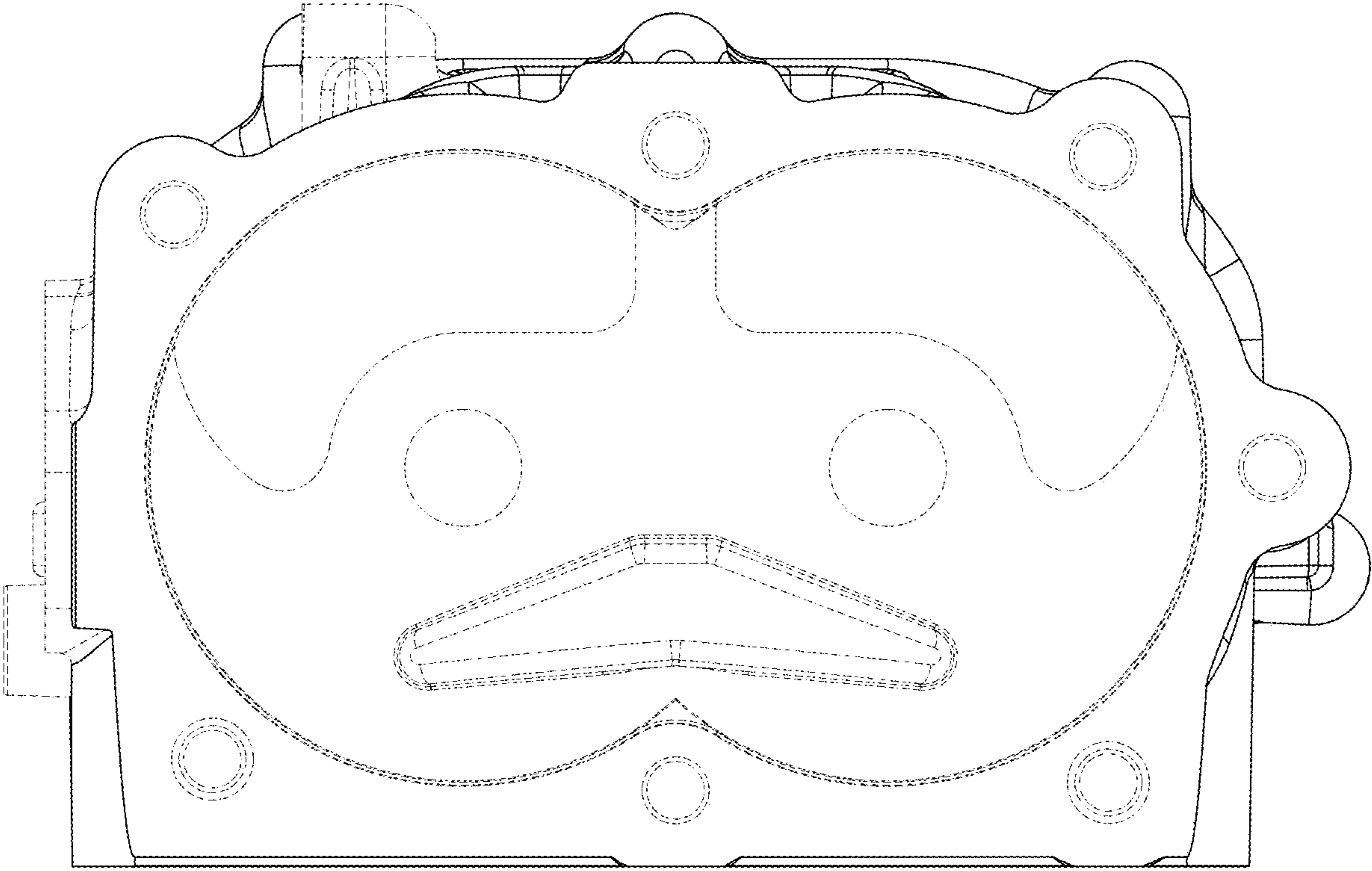


FIG - 6

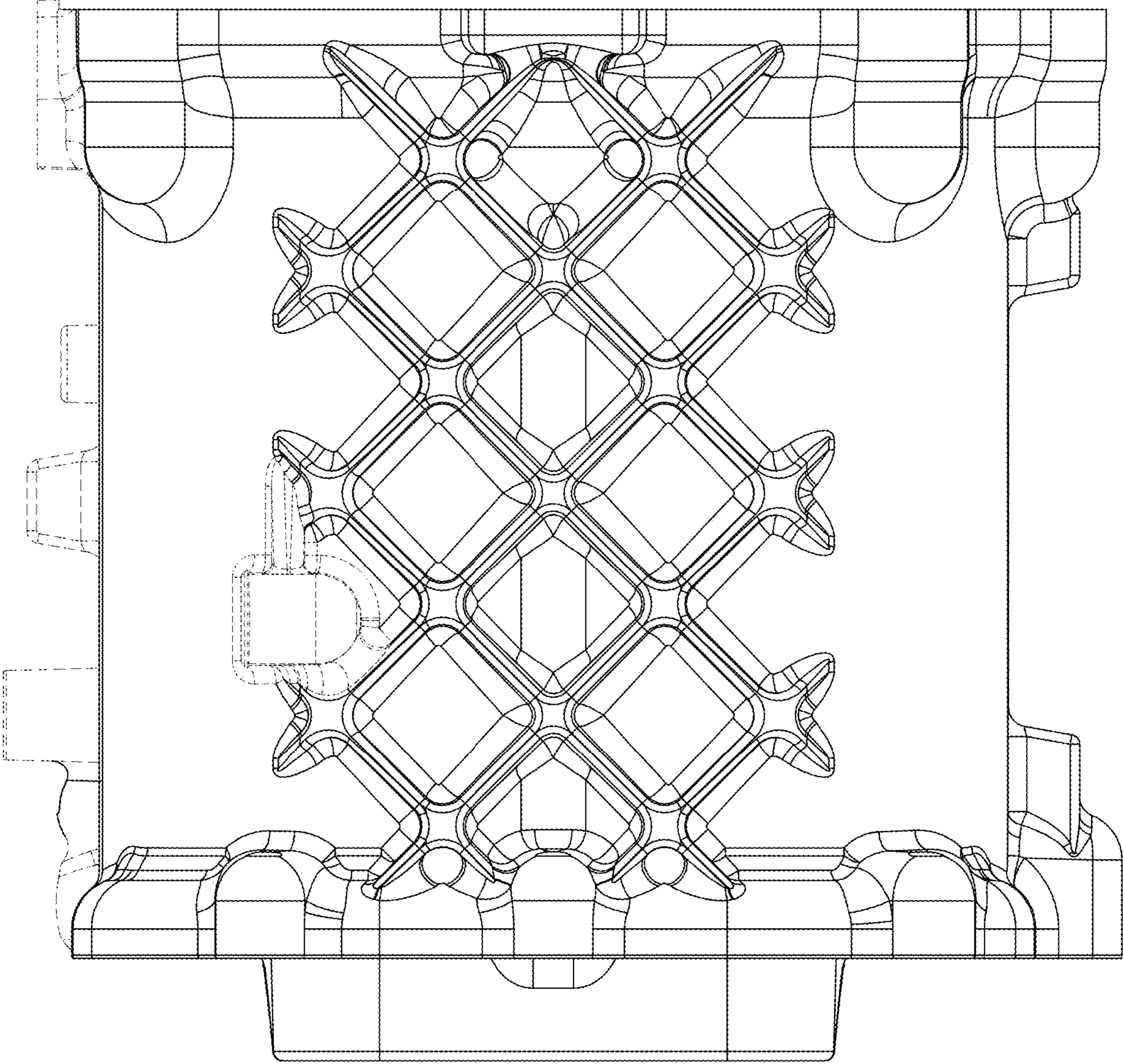


FIG - 7

FIG - 8

