

US00D930701S

(12) **United States Design Patent**  
**Jung et al.**

(10) **Patent No.:** **US D930,701 S**  
(45) **Date of Patent:** **\*\* Sep. 14, 2021**

(54) **DISPLAY SCREEN OR PORTION THEREOF WITH TRANSITIONAL GRAPHICAL USER INTERFACE**

FOREIGN PATENT DOCUMENTS

EM 003498583-0001 1/2017  
KR 30-0973569 9/2018

(71) Applicant: **Samsung Electronics Co., Ltd.**,  
Suwon-si (KR)

*Primary Examiner* — Cary M Robinson  
(74) *Attorney, Agent, or Firm* — McAndrews Held & Malloy, Ltd.

(72) Inventors: **Yunsung Jung**, Suwon-si (KR);  
**Youngseong Kim**, Suwon-si (KR);  
**Jihyun Um**, Suwon-si (KR)

(57) **CLAIM**

The ornamental design for a display screen or portion thereof with transitional graphical user interface, as shown and described.

(73) Assignee: **SAMSUNG ELECTRONICS CO., LTD.**, Suwon-si (KR)

**DESCRIPTION**

(\*\*) Term: **15 Years**

(21) Appl. No.: **29/725,971**

(22) Filed: **Feb. 28, 2020**

(30) **Foreign Application Priority Data**

Oct. 10, 2019 (KR) ..... 30-2019-0048288

(51) **LOC (13) Cl.** ..... **14-04**

(52) **U.S. Cl.**  
USPC ..... **D14/492**

(58) **Field of Classification Search**  
USPC ..... 345/1.1, 1.2, 2.1–2.3, 3.1, 902; 715/763,  
715/810, 836, 837, 846, 847, 977;  
D14/485–495

(Continued)

(56) **References Cited**

U.S. PATENT DOCUMENTS

5,392,388 A \* 2/1995 Gibson ..... G06F 3/04845  
345/684

8,543,941 B2 9/2013 Patterson et al.

(Continued)

FIG. 1 is a front view of the first image in a sequence for a display screen or portion thereof with transitional graphical user interface showing our new design according to a first embodiment;

FIG. 2 is the second image thereof;

FIG. 3 is the third image thereof;

FIG. 4 is the fourth image thereof;

FIG. 5 is the fifth image thereof;

FIG. 6 is a front view of the first image in a sequence for a display screen or portion thereof with transitional graphical user interface showing our new design according to a second embodiment;

FIG. 7 is the second image thereof;

FIG. 8 is the third image thereof;

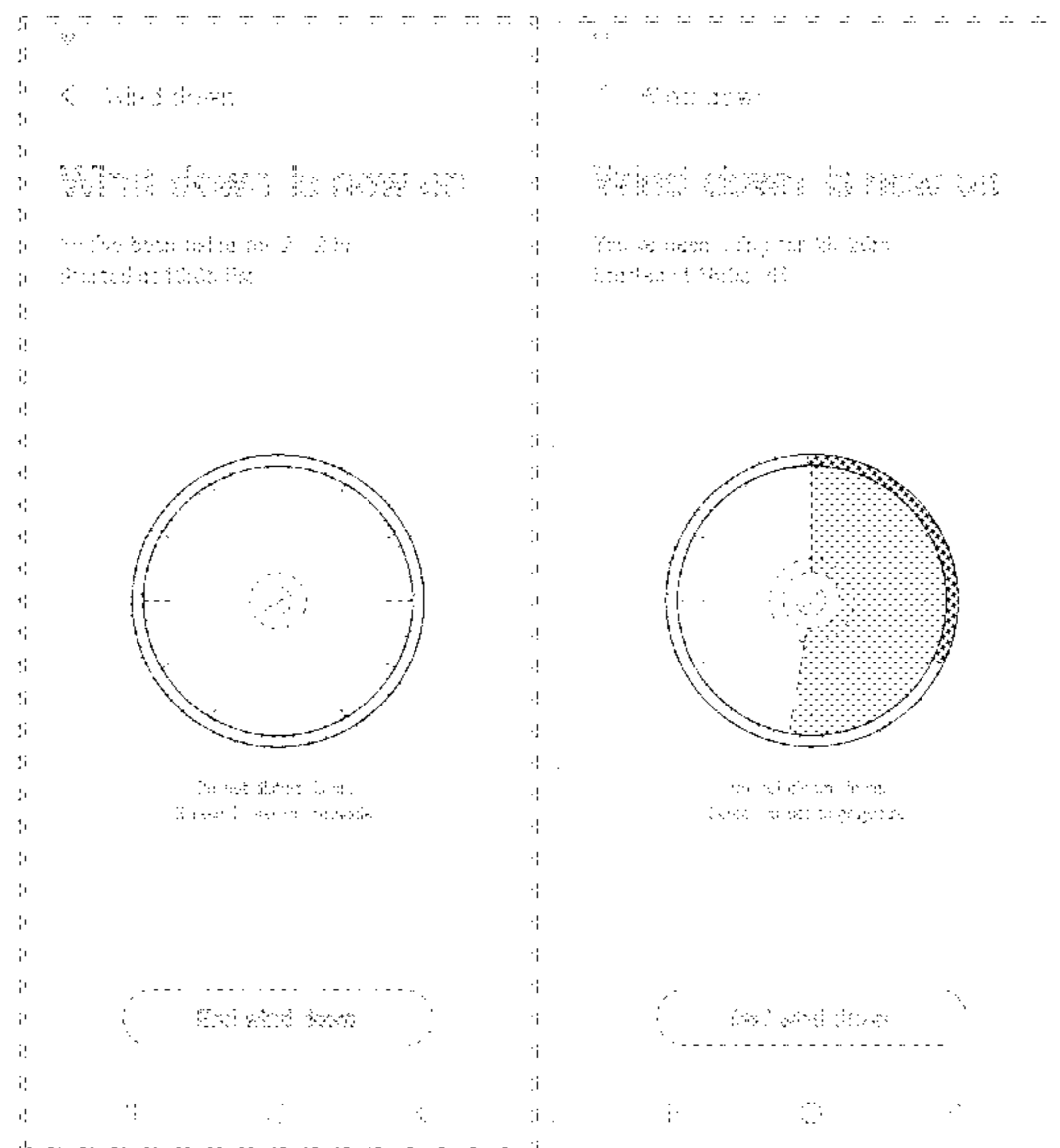
FIG. 9 is the fourth image thereof; and,

FIG. 10 is the fifth image thereof.

The outer perimeter shown as a pair of broken lines in the drawings illustrates a display screen or portion thereof and forms no part of the claimed design. The remaining broken lines in the drawings illustrate portions of the graphical user interface that form no part of the claimed design.

The appearance of the transitional image sequentially transitions between the images shown in FIGS. 1-5 and 6-10, respectively. The process or period in which one image transitions to another image forms no part of the claimed design.

**1 Claim, 10 Drawing Sheets**



(58) **Field of Classification Search**  
 CPC ..... B60K 37/00; G06F 3/048-04897; G06F  
 3/013; G06F 3/017; G06F 3/165; G06F  
 16/168; G06F 16/7335; G06F 17/212;  
 G06F 2203/014; G06F 2206/1008; G06F  
 2209/545; G06F 30/12; G06T 13/80;  
 G06T 15/02; G06Q 10/10; H04M 1/6075;  
 H04M 3/567; H04M 1/2477; H04M 1/26;  
 H04L 12/581; H04L 12/1813; H04N 7/16  
 See application file for complete search history.

(56) **References Cited**

U.S. PATENT DOCUMENTS

D705,808 S \* 5/2014 Anzures ..... D14/492  
 D739,872 S \* 9/2015 Bang ..... D14/488  
 D760,791 S \* 7/2016 Liu ..... G06F 3/04817  
 D14/494  
 D760,792 S \* 7/2016 Liu ..... G06F 3/04817  
 D14/494  
 D761,277 S \* 7/2016 Harvell ..... D14/485  
 D761,840 S 7/2016 Patterson et al.  
 D763,269 S \* 8/2016 Lee ..... D14/485

D763,910 S \* 8/2016 Drozd ..... D14/489  
 D765,718 S \* 9/2016 Vinna ..... D14/488  
 D785,658 S \* 5/2017 Moroney ..... D14/486  
 D786,932 S \* 5/2017 Kim ..... D14/495  
 D797,792 S 9/2017 Patterson et al.  
 D806,114 S \* 12/2017 Kim ..... D14/488  
 D826,957 S 8/2018 Pillalamarri et al.  
 D838,731 S 1/2019 Pillalamarri et al.  
 D842,332 S 3/2019 Patterson et al.  
 D845,315 S \* 4/2019 Malahy ..... D14/485  
 D848,466 S \* 5/2019 Mizono ..... D14/486  
 D851,099 S \* 6/2019 Uppala ..... D14/485  
 D873,281 S \* 1/2020 Van Gerbig ..... D14/485  
 D875,742 S \* 2/2020 Kang ..... D14/485  
 D882,626 S \* 4/2020 Yan ..... D14/488  
 D888,757 S \* 6/2020 Yan ..... D14/488  
 D889,485 S \* 7/2020 Yan ..... D14/485  
 D913,318 S \* 3/2021 Jenoski ..... D14/488  
 2012/0068854 A1 \* 3/2012 Shiflet ..... G06Q 50/06  
 340/870.02  
 2012/0221938 A1 8/2012 Patterson et al.  
 2015/0195379 A1 \* 7/2015 Zhang ..... G06F 16/9577  
 709/219  
 2017/0294136 A1 \* 10/2017 Sada ..... G09B 19/0038

\* cited by examiner

FIG. 1

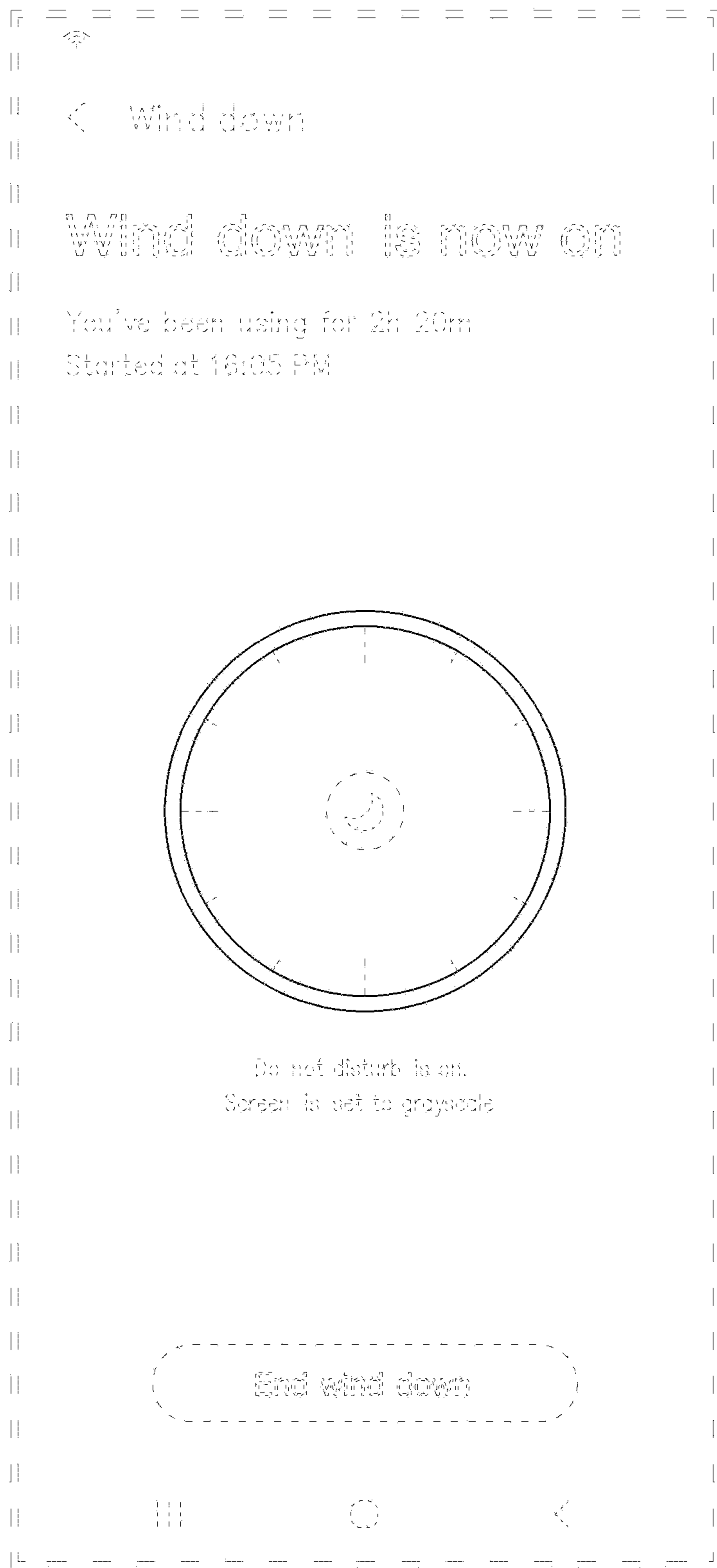


FIG. 2

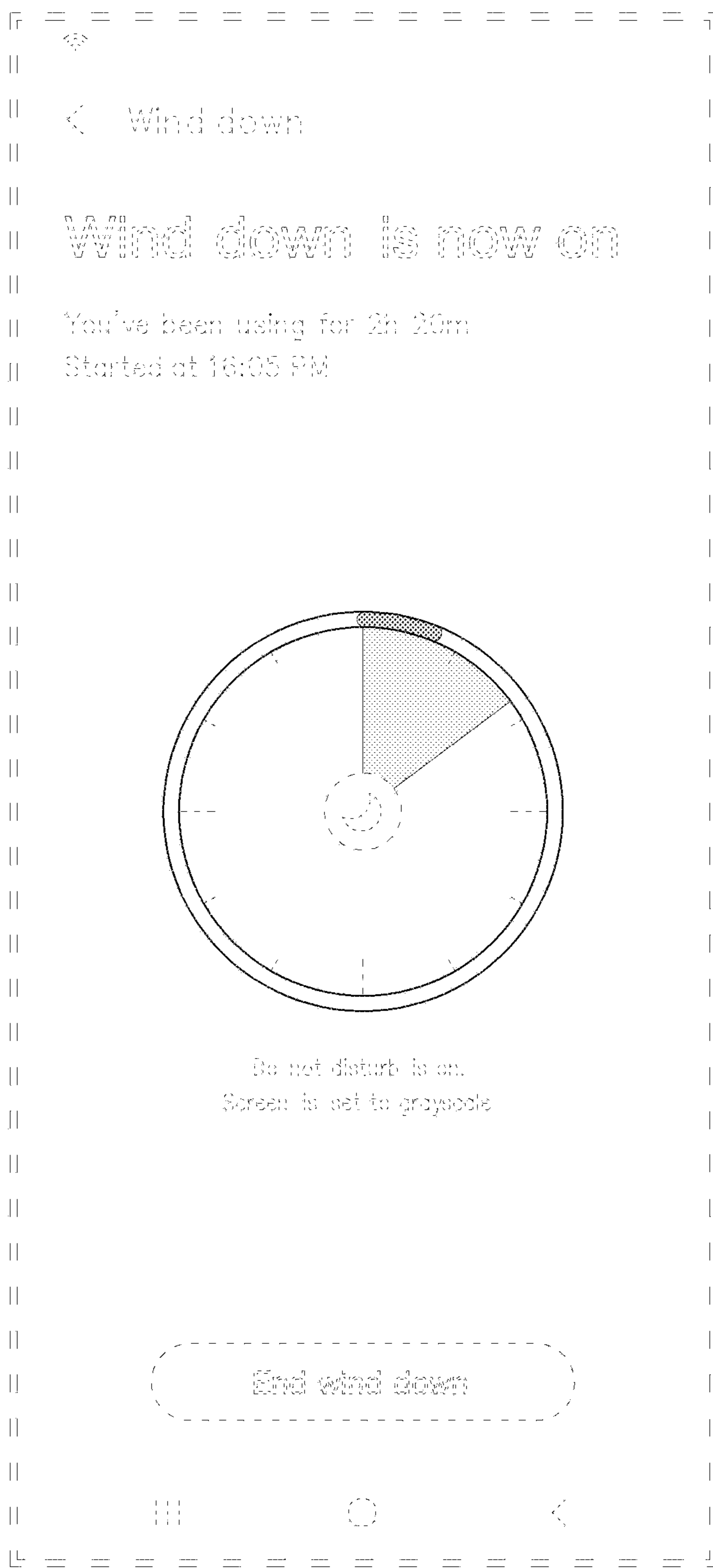


FIG. 3

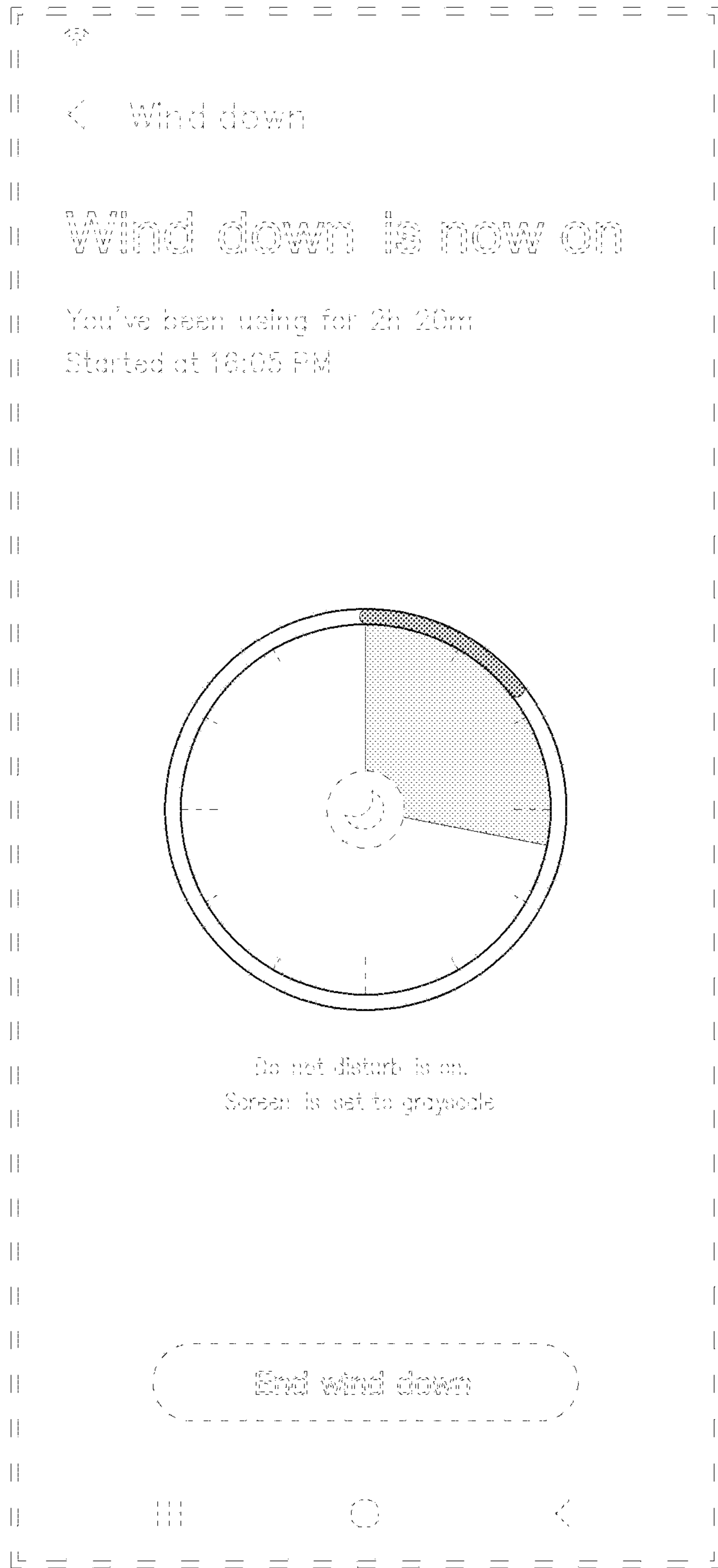


FIG. 4

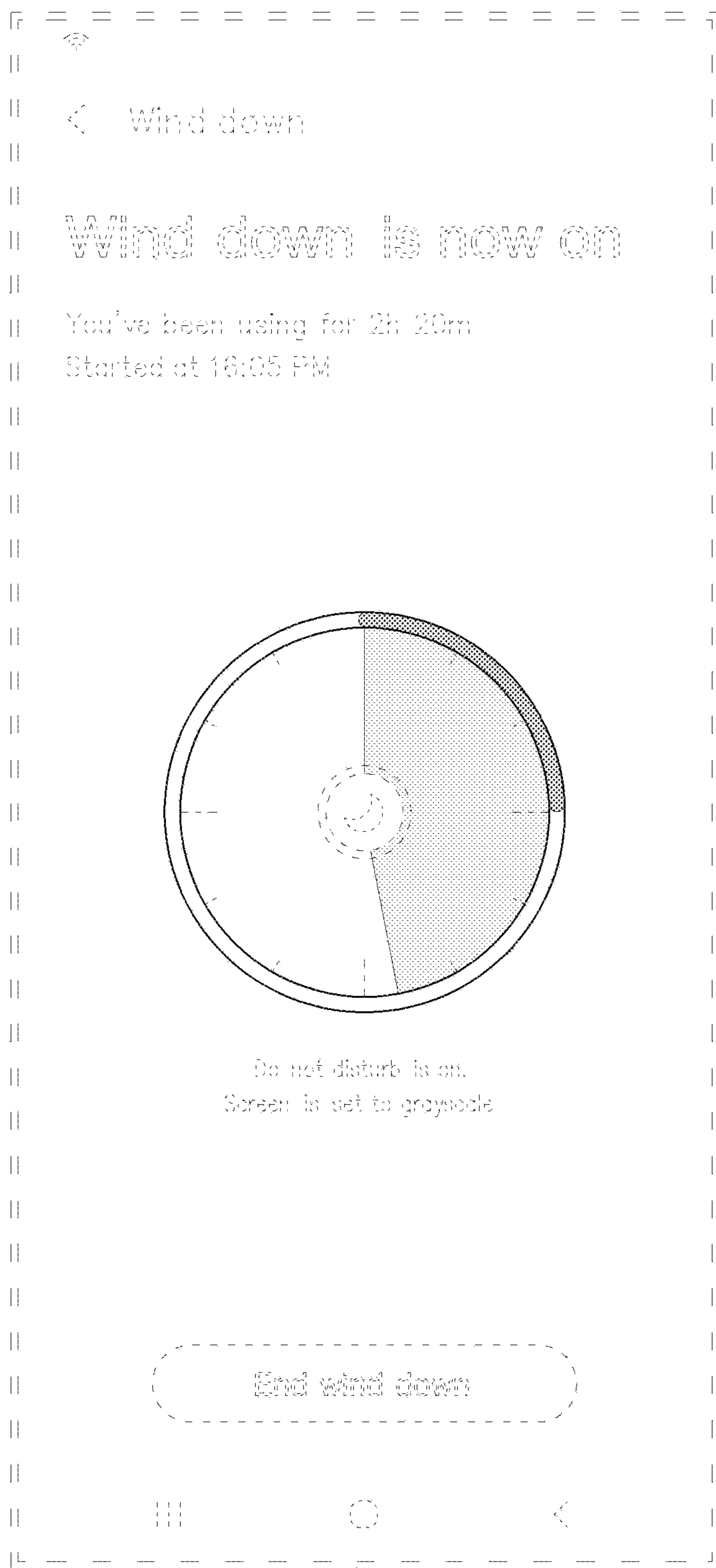


FIG. 5

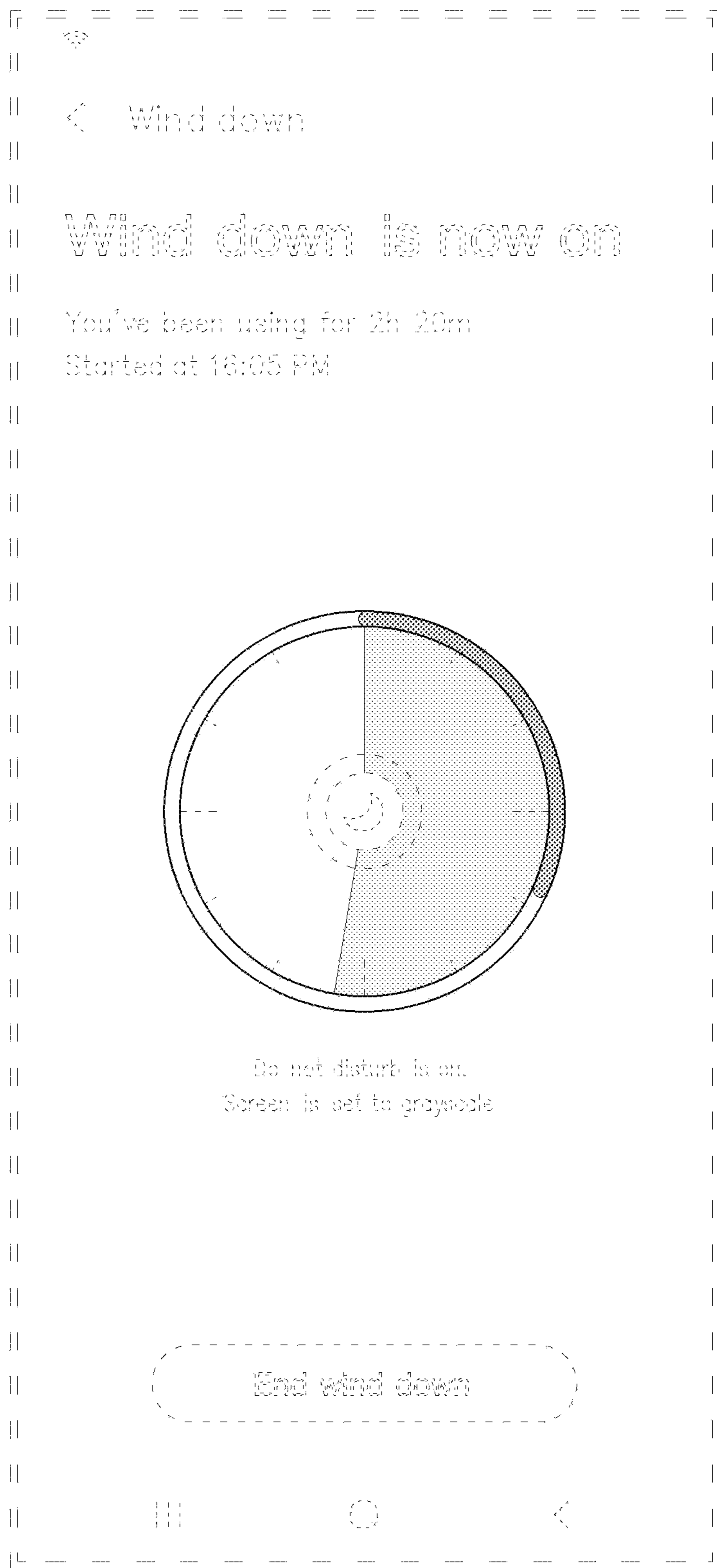


FIG. 6

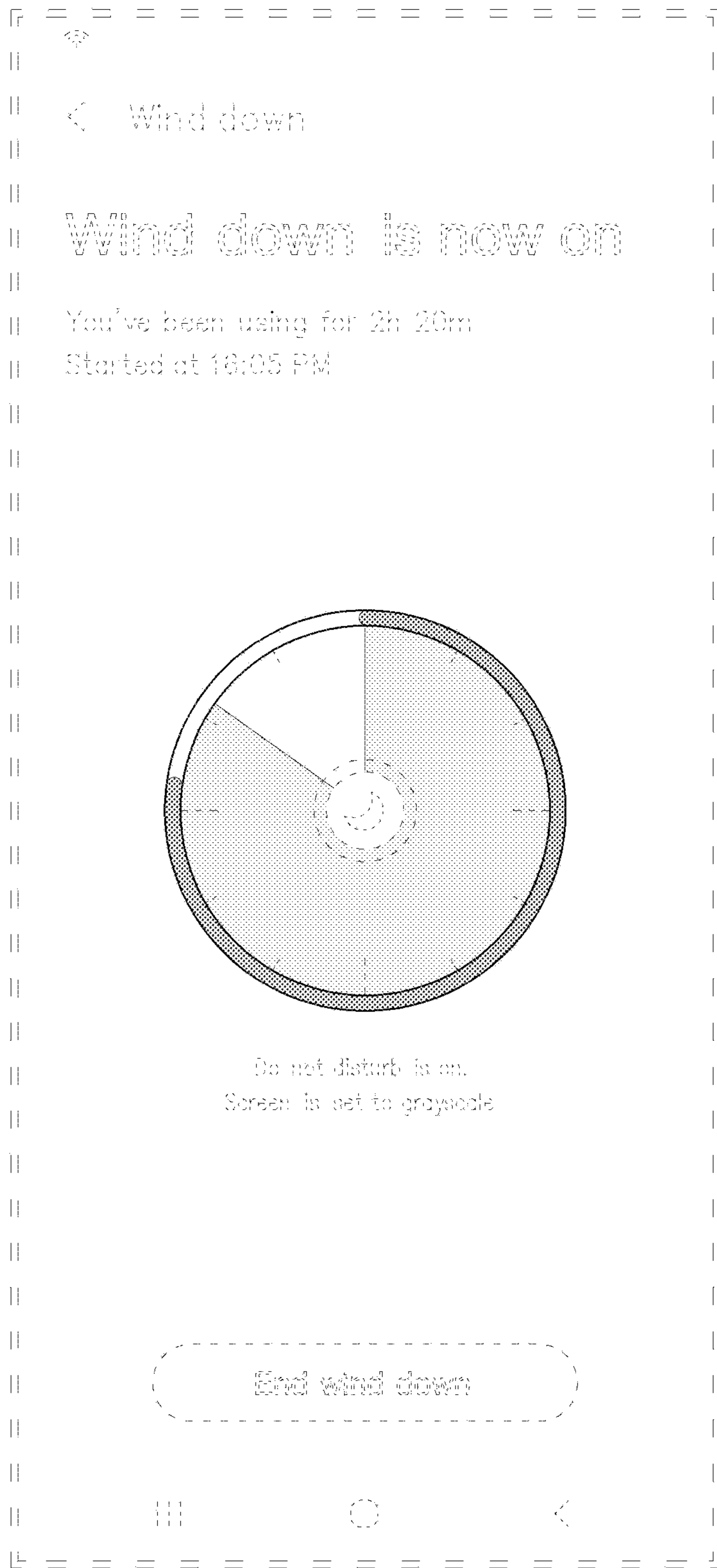




FIG. 7

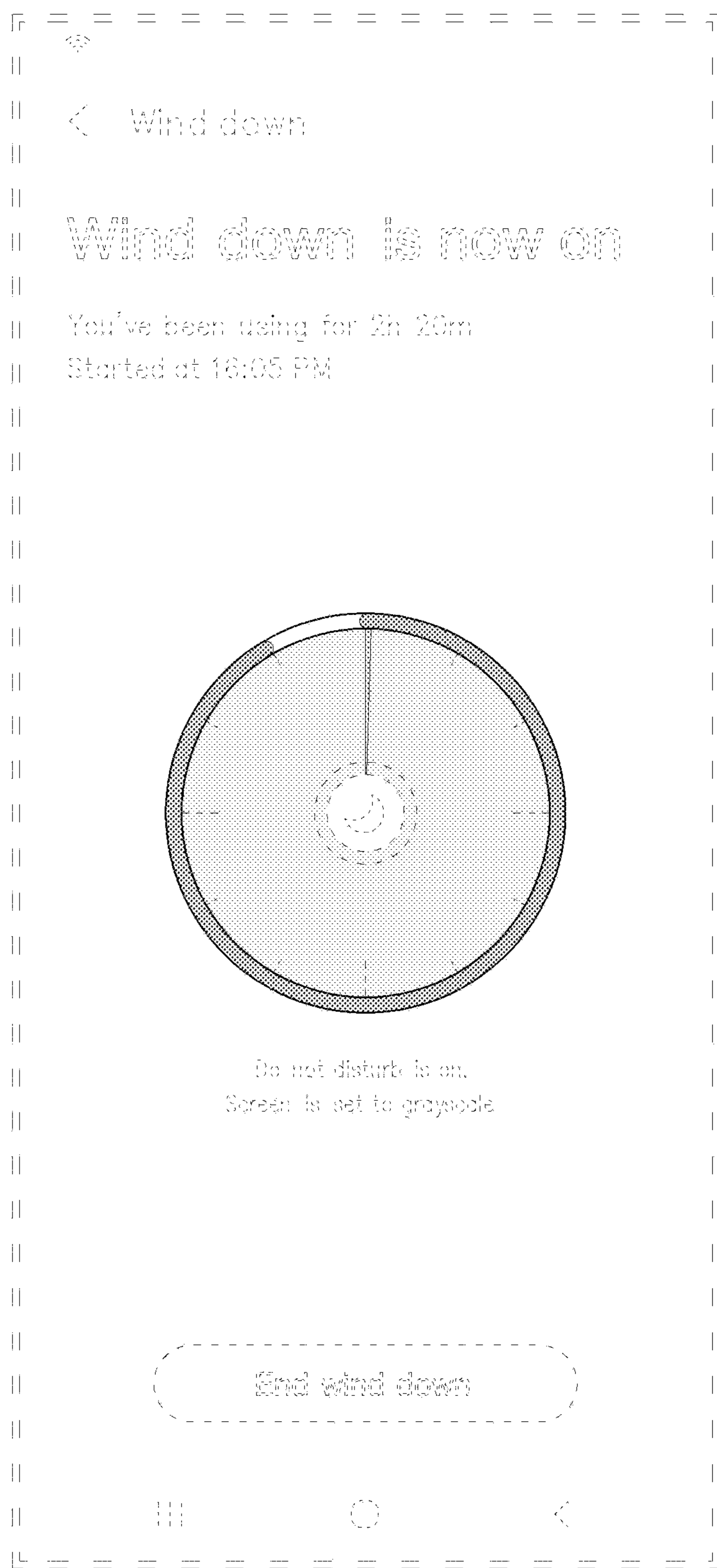


FIG. 8

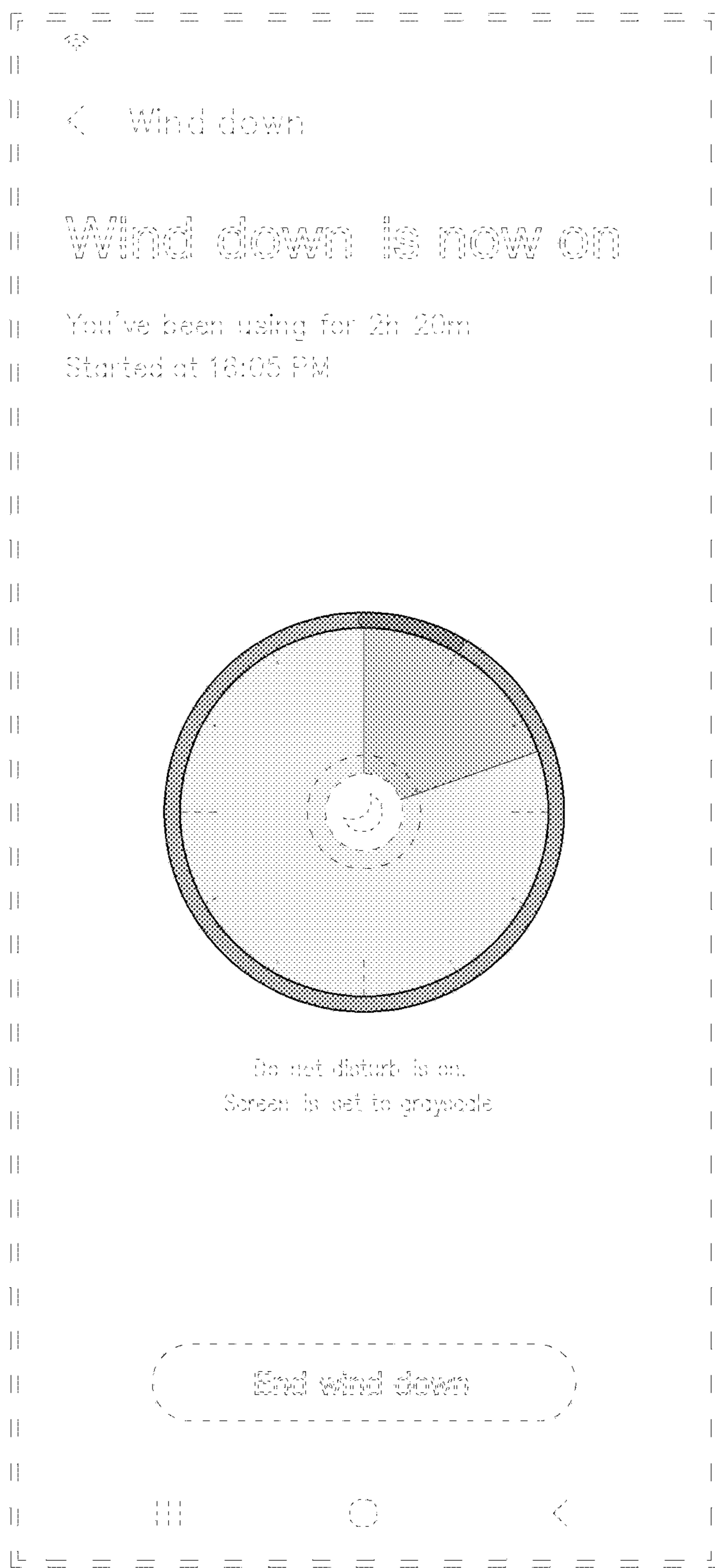


FIG. 9

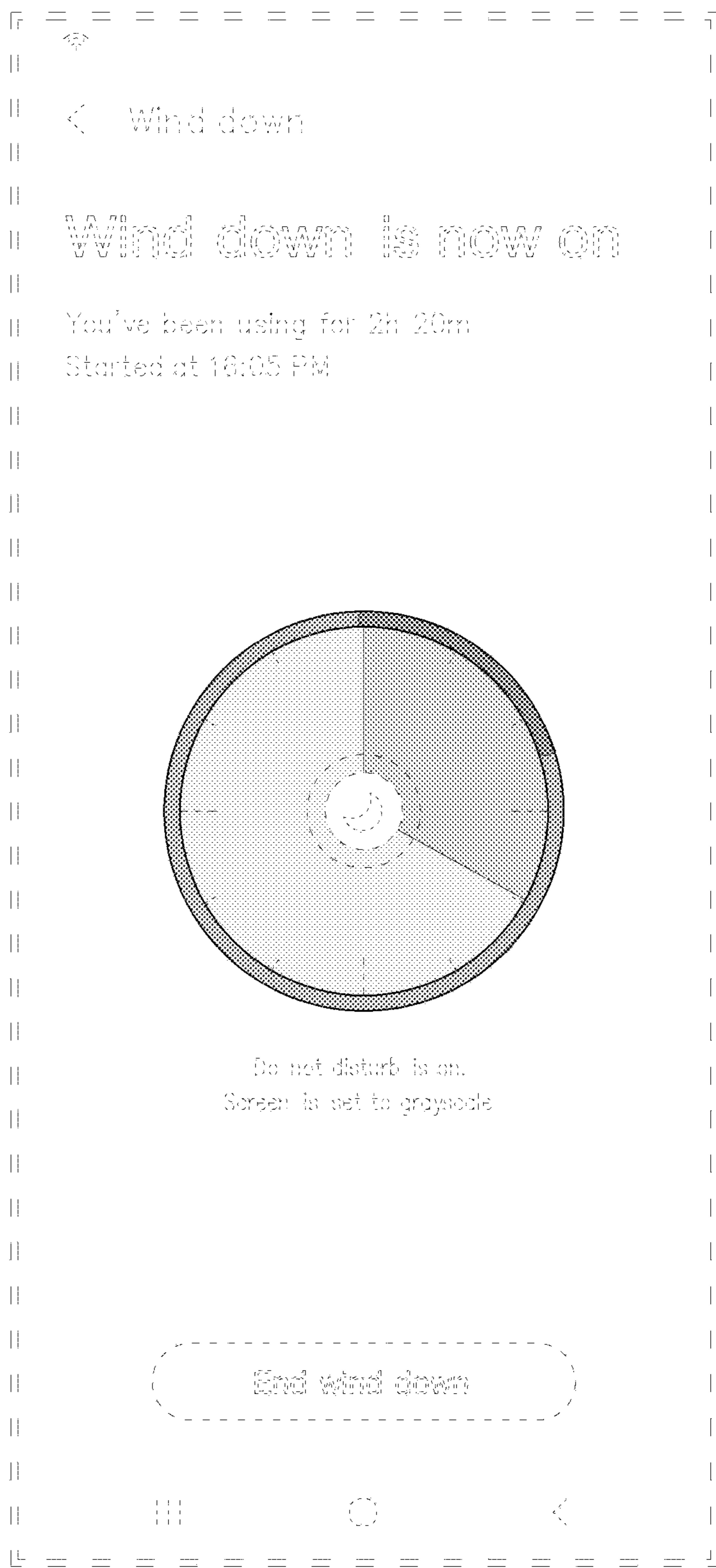


FIG. 10

