



US00D930670S

(12) **United States Design Patent**
Xie et al.

(10) **Patent No.:** **US D930,670 S**

(45) **Date of Patent:** **** Sep. 14, 2021**

(54) **ELECTRONIC DISPLAY FOR A WEARABLE DEVICE PRESENTING A GRAPHICAL USER INTERFACE**

<<https://dribbble.com/shots/1672565-Smart-Watch-Interface-Ui-Kit>> (Year: 2014).*

(Continued)

(71) Applicant: **HUAWEI TECHNOLOGIES CO., LTD.**, Shenzhen (CN)

Primary Examiner — Rachel A. Voorhies

(72) Inventors: **Guyu Xie**, Shenzhen (CN); **Long Luo**, Shenzhen (CN)

(57) **CLAIM**

The ornamental design for an electronic display for a wearable device presenting a graphical user interface, as shown and described.

(73) Assignee: **HUAWEI TECHNOLOGIES CO., LTD.**, Shenzhen (CN)

DESCRIPTION

(**) Term: **15 Years**

FIG. 1 is a front view of a first image of a first embodiment of an electronic display for a wearable device presenting a graphical user interface, showing our new design; FIG. 2 is an enlarged front view taken from FIG. 1; FIG. 3 is a front view of a second image of the first embodiment;

(21) Appl. No.: **29/726,133**

FIG. 4 is an enlarged front view taken from FIG. 3; FIG. 5 is a front view of a first image of a second embodiment of an electronic display for a wearable device presenting a graphical user interface, showing our new design; FIG. 6 is an enlarged view taken from FIG. 5; FIG. 7 is a front view of a second image of the second embodiment; and, FIG. 8 is an enlarged view taken from FIG. 7.

(22) Filed: **Feb. 28, 2020**

The appearance of the graphical user interface transitions sequentially between the images shown in FIGS. 1 and 3, FIGS. 2, and 4, FIGS. 5 and 7, and FIGS. 6 and 8. The process or period in which one image transitions to another forms no part of the claimed design.

(30) **Foreign Application Priority Data**

Sep. 2, 2019 (CN) 201930481462.3

(51) **LOC (13) Cl.** **14-04**

(52) **U.S. Cl.**
USPC **D14/485**

(58) **Field of Classification Search**
USPC D14/344, 485-495; D10/32, 39
(Continued)

The broken line showing of the electronic display for a wearable device presenting a graphical user interface is for the purpose of illustrating portions of the electronic display for a wearable device presenting a graphical user interface and forms no part of the claimed design.

(56) **References Cited**

U.S. PATENT DOCUMENTS

D706,283 S * 6/2014 Pedraza Padilla D14/486

D751,574 S * 3/2016 Forsblom D14/485

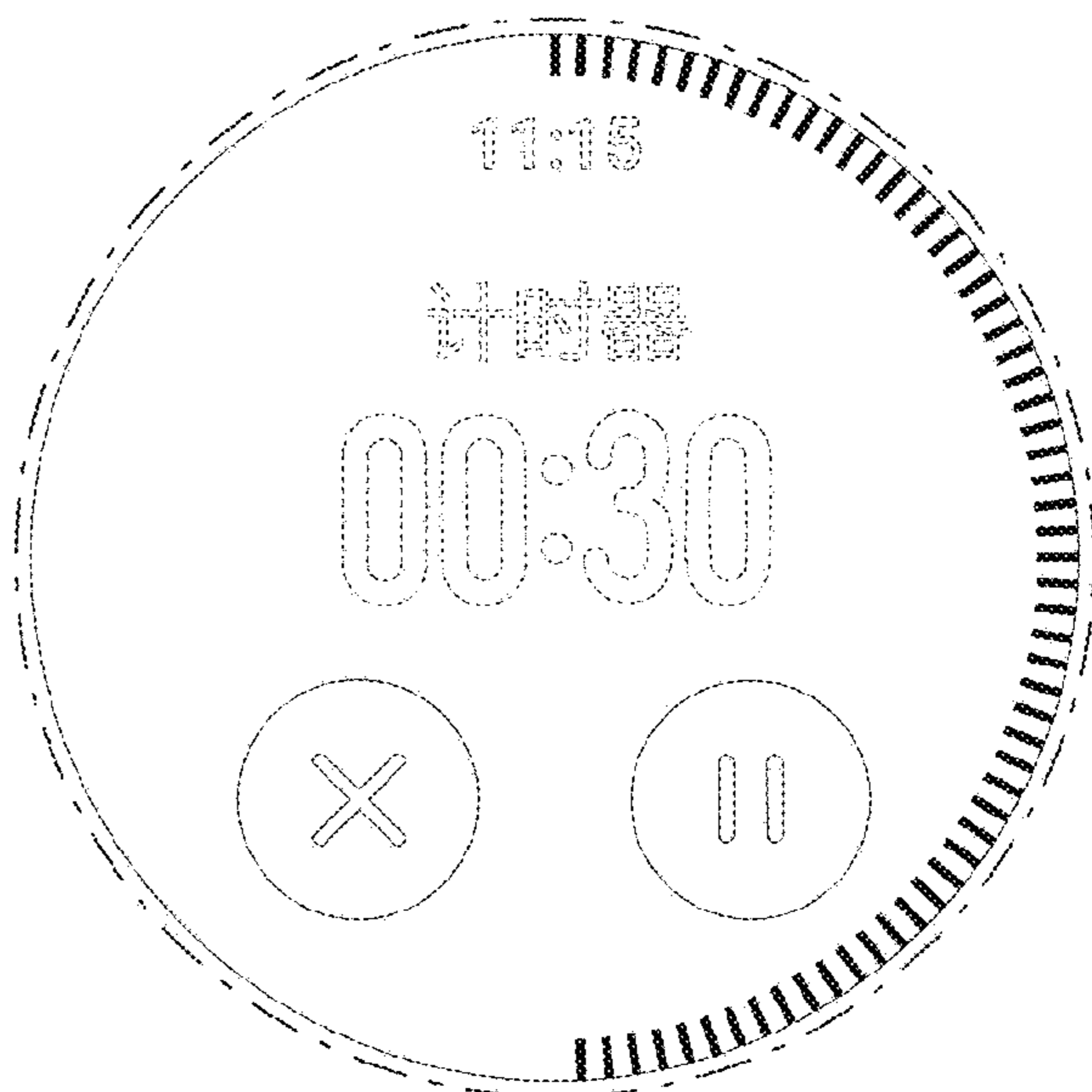
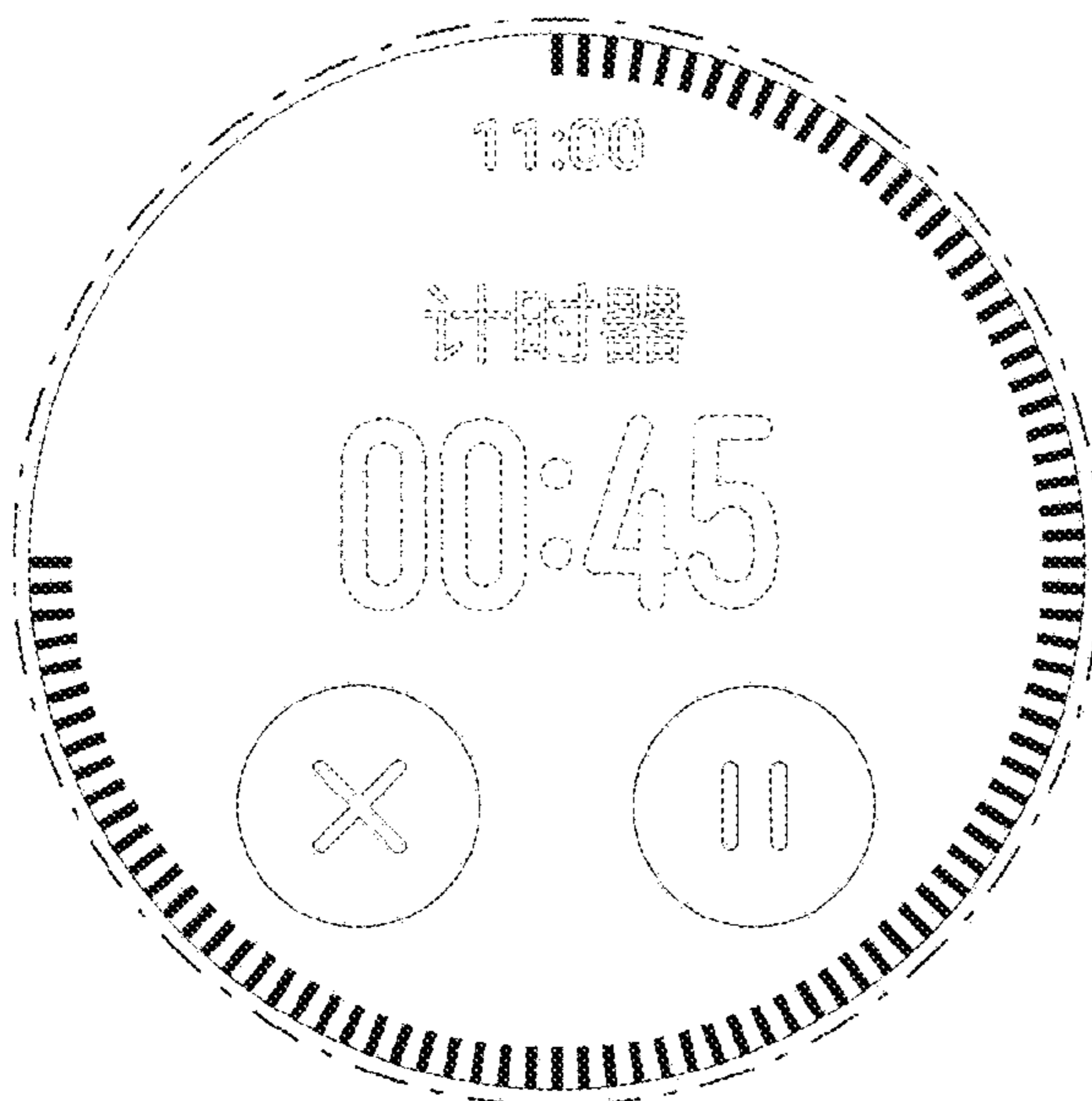
(Continued)

The dot-dash broken line encircling the enlarged portion forms no part of the claimed design.

OTHER PUBLICATIONS

SEE. "Smart Watch Interfacer UI Kit." Dribbble, published Aug. 5, 2014 (Retrieved from the Internet Feb. 5, 2021). Internet URL:

1 Claim, 8 Drawing Sheets



(58) **Field of Classification Search**

CPC G06F 1/163
 See application file for complete search history.

D910,040 S * 2/2021 Amini D14/485
 D914,704 S * 3/2021 Sahu D14/485
 D916,896 S * 4/2021 Ikuye D14/489
 2014/0139637 A1* 5/2014 Mistry G06F 1/163
 348/46
 2015/0085622 A1* 3/2015 Carreel G04B 47/063
 368/10
 2017/0329477 A1* 11/2017 Sachidanandam
 G06F 16/9535

(56) **References Cited**

U.S. PATENT DOCUMENTS

D753,678 S * 4/2016 Clarke D14/485
 D763,865 S * 8/2016 Zhu D14/485
 D764,490 S * 8/2016 O'Shea D14/485
 D769,897 S * 10/2016 Li D14/485
 D776,690 S * 1/2017 Tsujimoto D14/486
 D784,388 S * 4/2017 Kim D14/486
 D789,974 S * 6/2017 Guo D14/487
 D797,783 S * 9/2017 Broughton G06F 1/163
 D14/486
 D800,163 S * 10/2017 Tsukahara D14/492
 D803,849 S * 11/2017 Chaudhri G04B 47/063
 D14/485
 D807,905 S * 1/2018 Broughton D14/486
 D857,034 S * 8/2019 Hung D14/485
 D888,079 S * 6/2020 Lee D14/485

OTHER PUBLICATIONS

“Garmin Vivoactive 3 In-Depth Review.” DC Rainmaker, published Oct. 18, 2017 (Retrieved from the Internet Feb. 9, 2021). Internet URL: <<https://www.dcrainmaker.com/2017/10/garmin-vivoactive-3-in-depth-review.html>> (Year: 2017).*

“Garmin Fenix 5/5S/5X In-Depth Review.” DC Rainmaker, published Mar. 23, 2017 (Retrieved from the Internet Feb. 9, 2021). Internet URL: <<https://www.dcrainmaker.com/2017/03/garmin-fenix5-5s-5x-review.html>> (Year: 2017).*

* cited by examiner

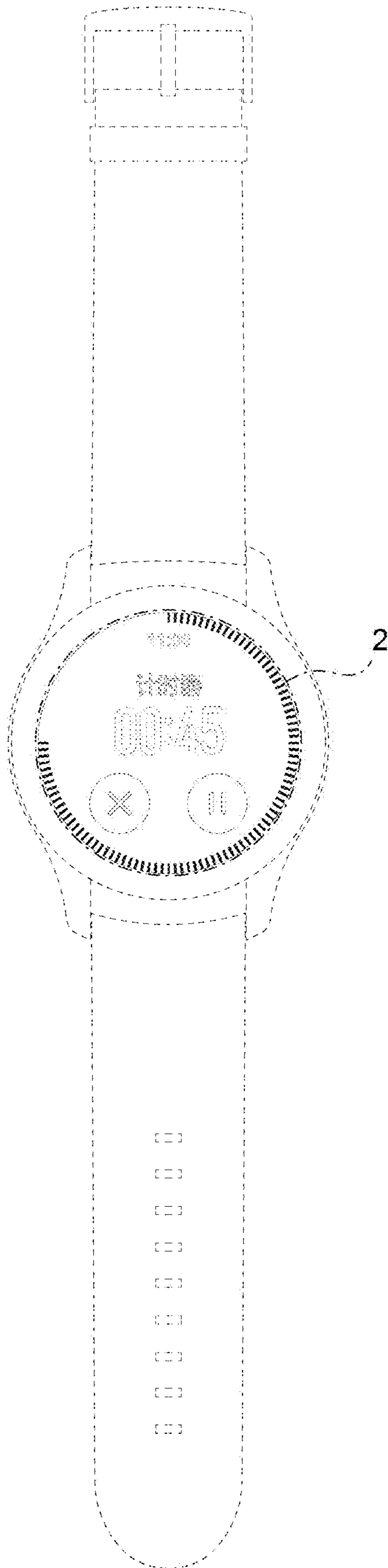


FIG. 1

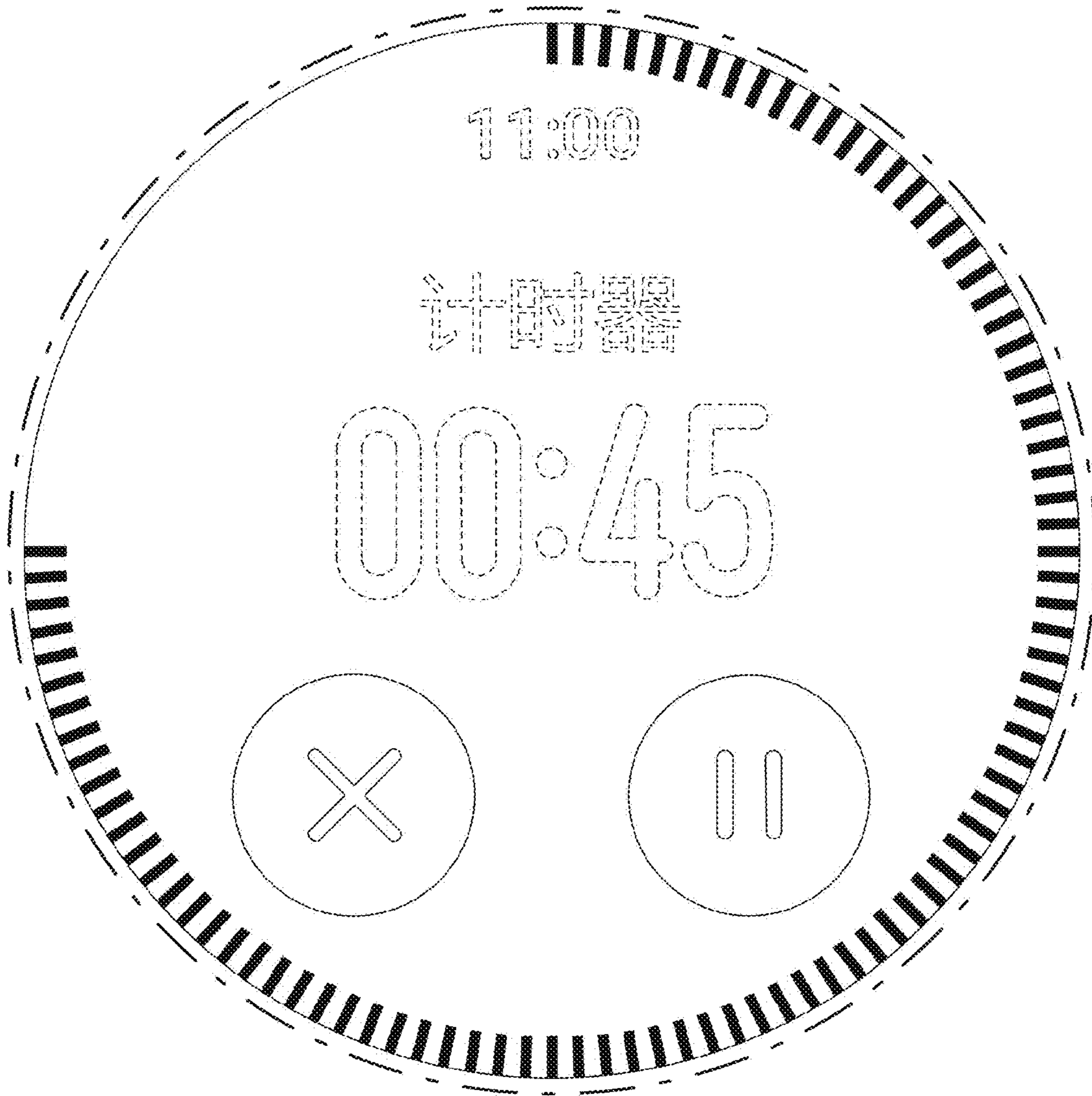


FIG. 2

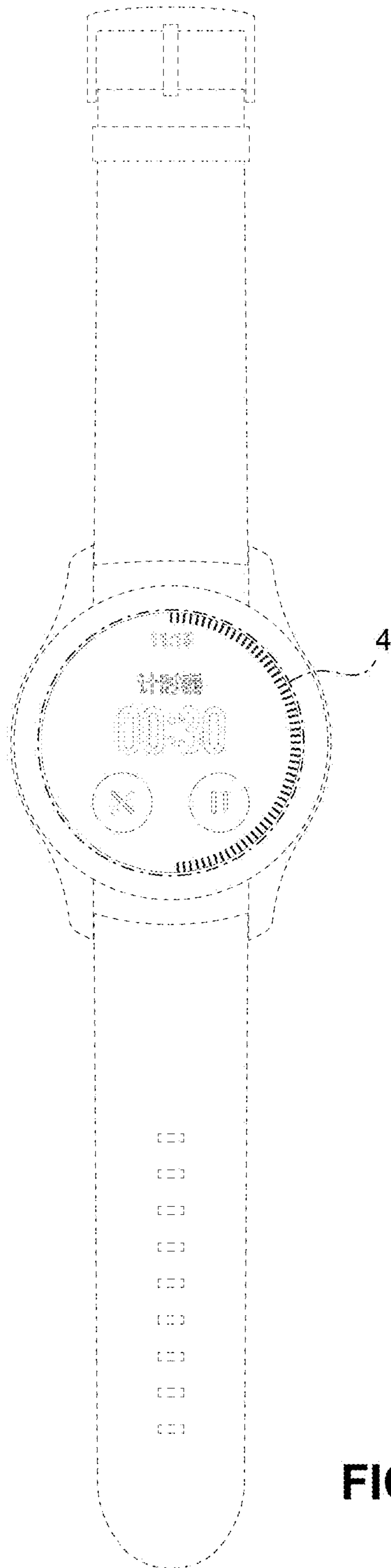


FIG. 3

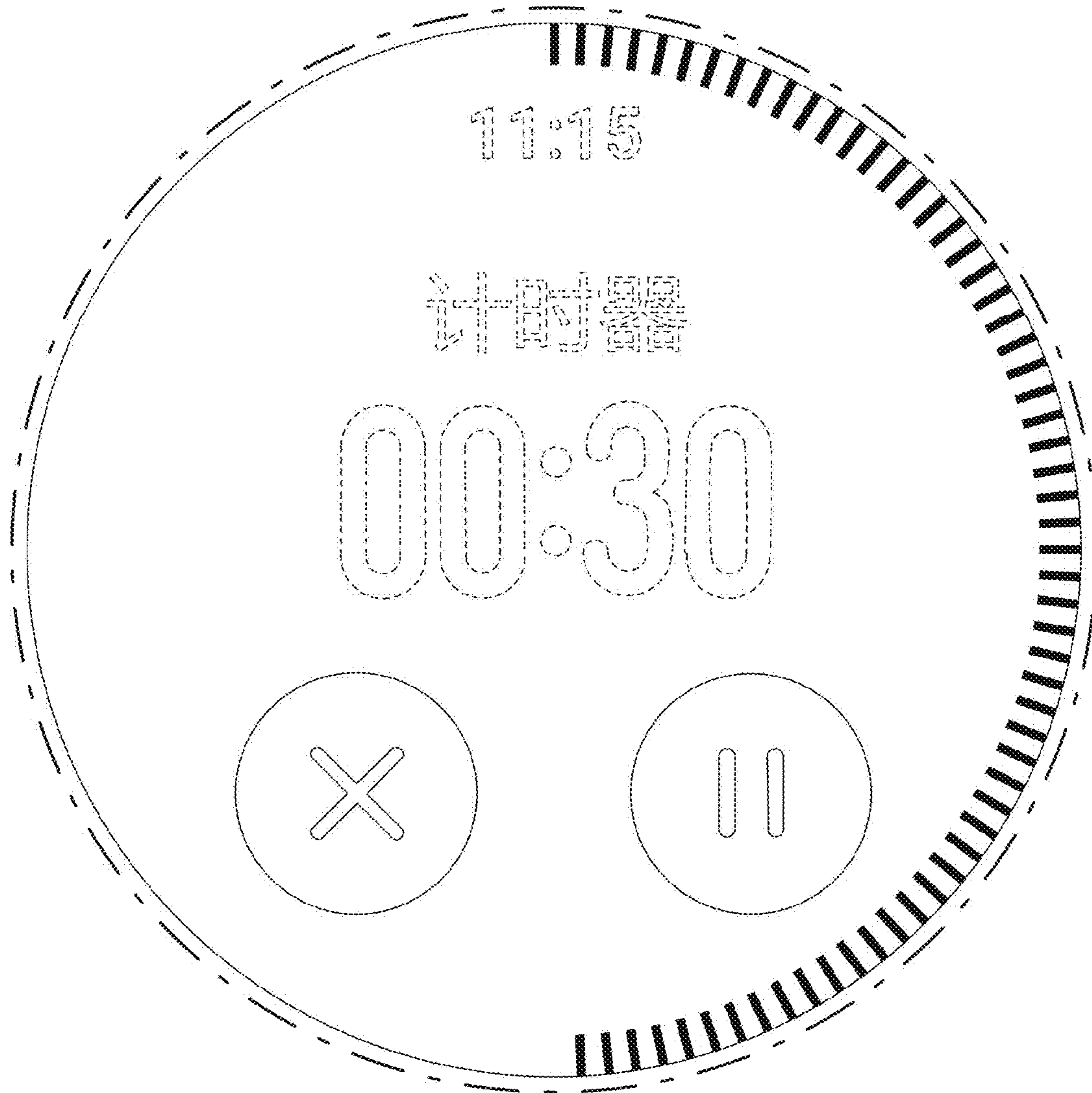


FIG. 4

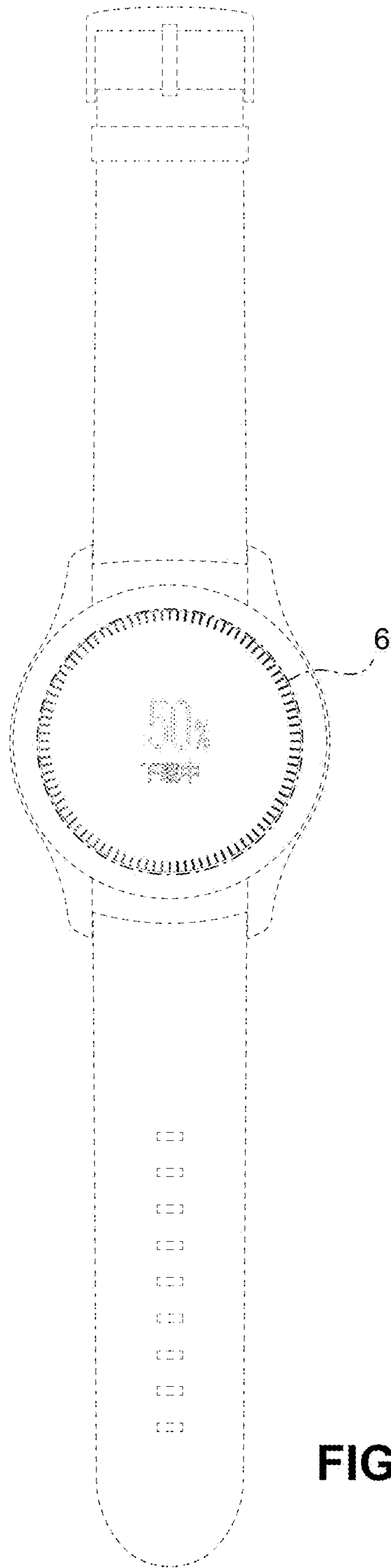


FIG. 5

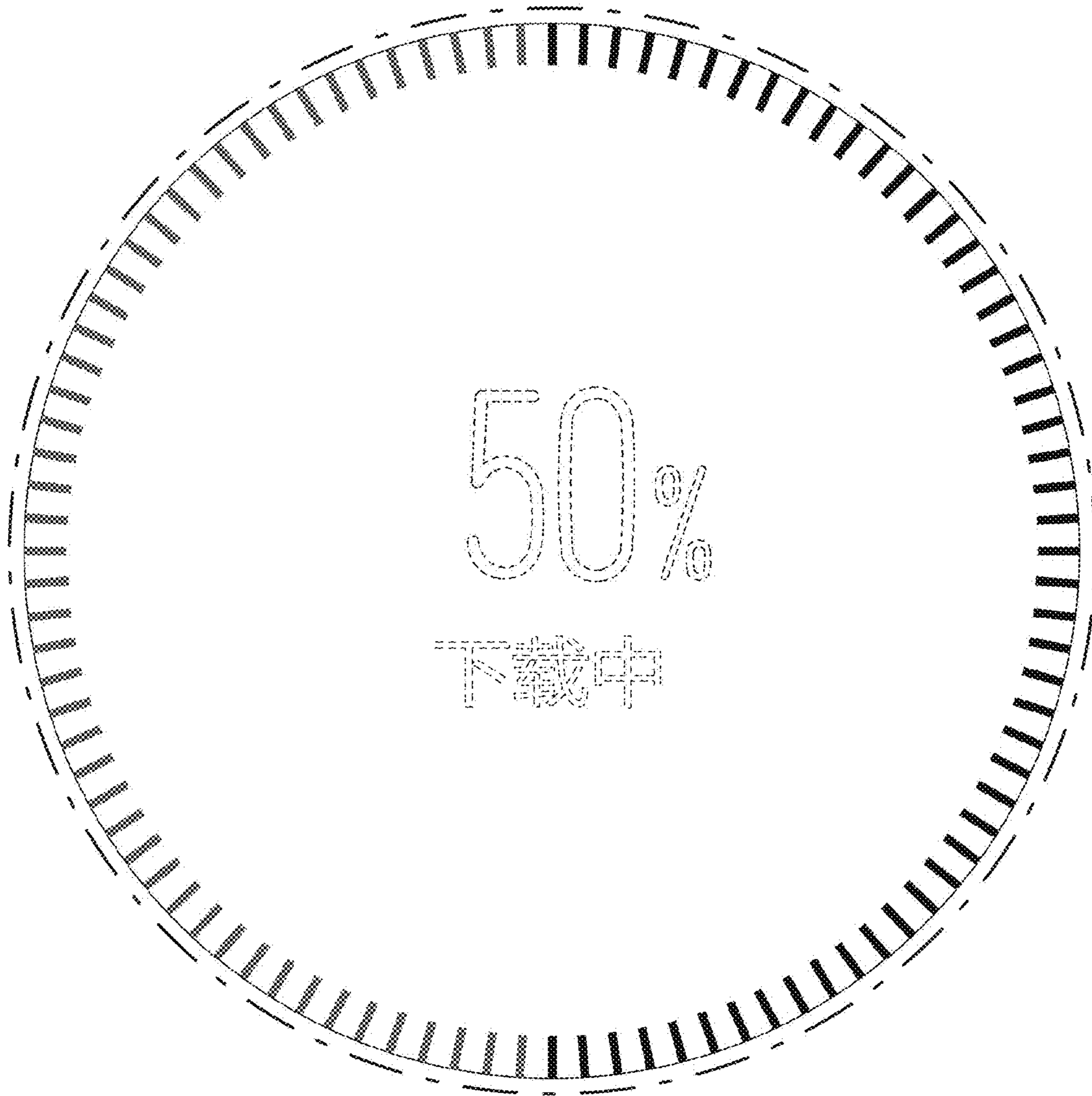


FIG. 6

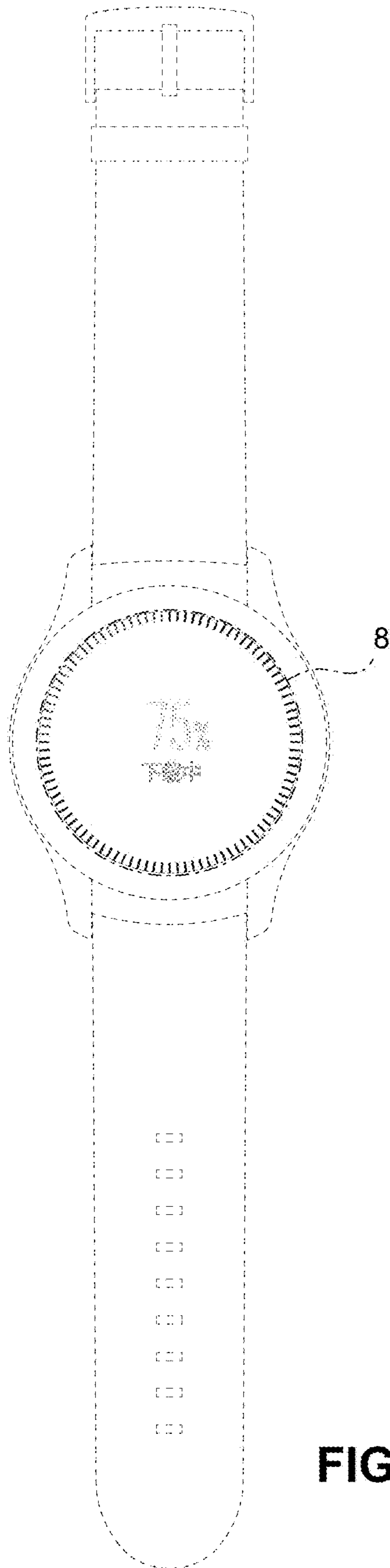


FIG. 7

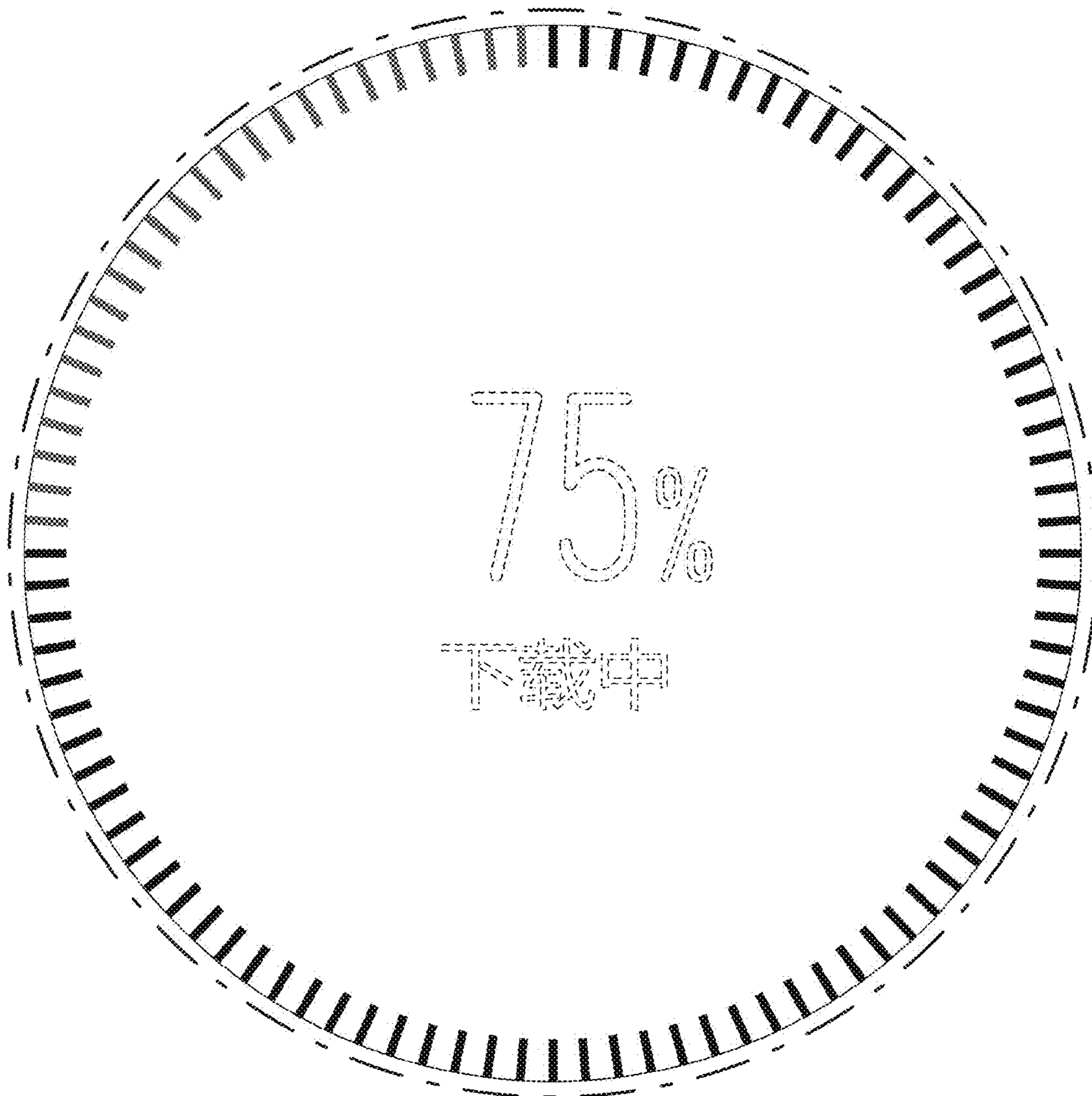


FIG. 8