



US00D930669S

(12) **United States Design Patent**
Xie et al.

(10) **Patent No.:** **US D930,669 S**

(45) **Date of Patent:** **** Sep. 14, 2021**

(54) **ELECTRONIC DISPLAY FOR A WEARABLE DEVICE PRESENTING A GRAPHICAL USER INTERFACE**

(71) Applicant: **HUAWEI TECHNOLOGIES CO., LTD.**, Shenzhen (CN)

(72) Inventors: **Guyu Xie**, Shenzhen (CN); **Long Luo**, Shenzhen (CN)

(73) Assignee: **HUAWEI TECHNOLOGIES CO., LTD.**, Shenzhen (CN)

(**) Term: **15 Years**

(21) Appl. No.: **29/726,132**

(22) Filed: **Feb. 28, 2020**

(30) **Foreign Application Priority Data**

Sep. 2, 2019 (CN) 201930481840.8

(51) **LOC (13) Cl.** **14-04**

(52) **U.S. Cl.**
USPC **D14/485**

(58) **Field of Classification Search**
USPC D14/344, 485-495; D10/32, 39
CPC G06F 1/163
See application file for complete search history.

(56) **References Cited**

U.S. PATENT DOCUMENTS

D283,984 S *	5/1986	Kano	D10/39
D632,700 S *	2/2011	Brinda	D14/488
D644,240 S *	8/2011	Arnold	D14/487
D668,261 S *	10/2012	Arnold	D14/488
D691,629 S *	10/2013	Matas	D14/488
D706,283 S *	6/2014	Pedraza Padilla	D14/486
D751,574 S *	3/2016	Forsblom	D14/485
D753,678 S *	4/2016	Clarke	D14/485
D764,490 S *	8/2016	O'Shea	D14/485

(Continued)

OTHER PUBLICATIONS

Langmajer, Michal. "Apple Watch Concept." Dribbble, published Nov. 9, 2014 (Retrieved from the Internet May 11, 2021). Internet URL: <https://dribbble.com/shots/1800635-Apple-Watch-App-Concept> (Year: 2014).*

Primary Examiner — Rachel A. Voorhies

(57) **CLAIM**

The ornamental design for an electronic display for a wearable device presenting a graphical user interface, as shown and described.

DESCRIPTION

FIG. 1 is a front view of a first image of an electronic display for a wearable device presenting a graphical user interface, showing our new design;

FIG. 2 is an enlarged front view taken from FIG. 1;

FIG. 3 is a front view of a second image thereof;

FIG. 4 is an enlarged front view taken from FIG. 3;

FIG. 5 is a front view of a third image thereof;

FIG. 6 is an enlarged front view taken from FIG. 5;

FIG. 7 is a front view of a fourth image thereof; and,

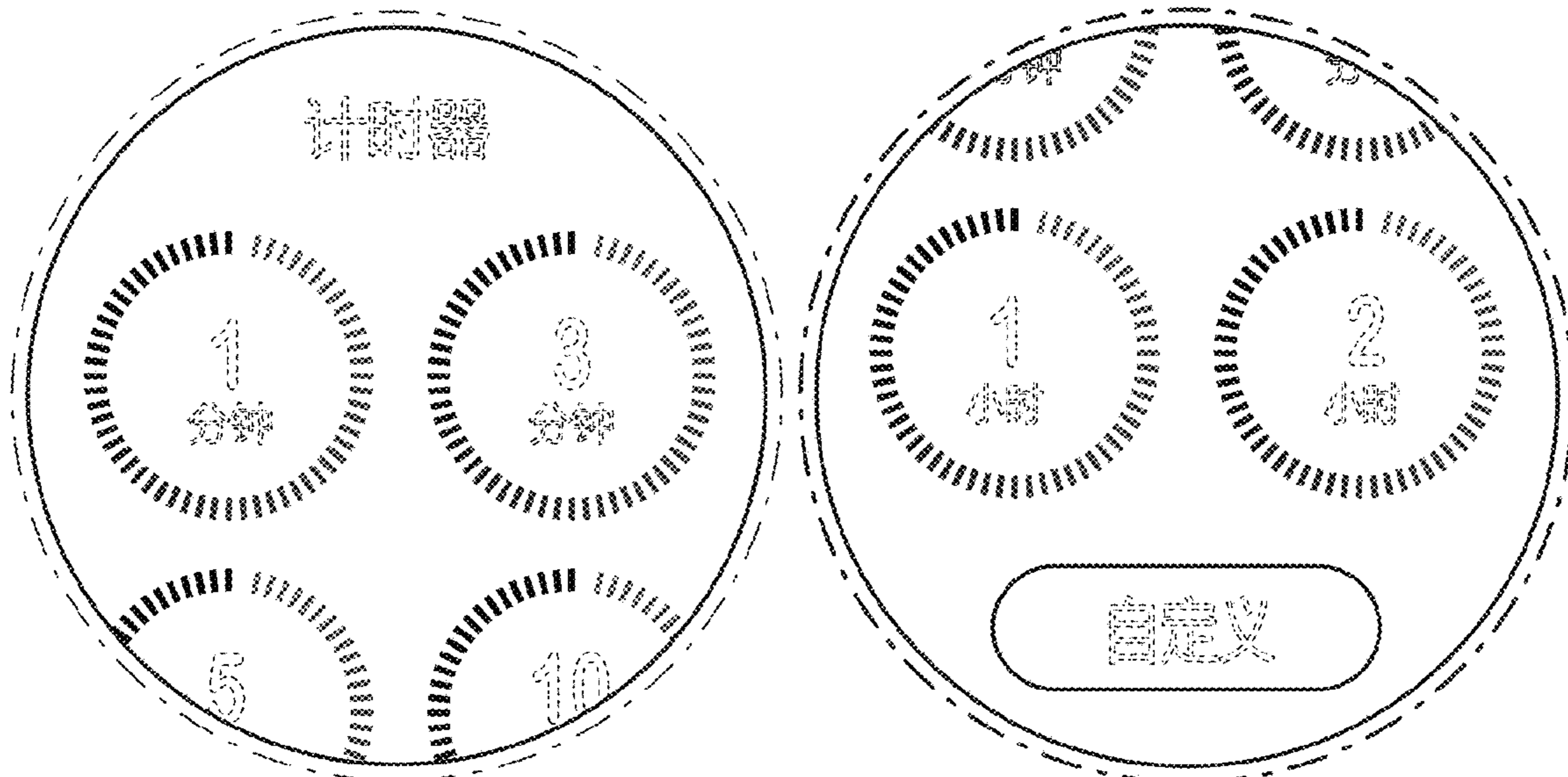
FIG. 8 is an enlarged front view taken from FIG. 7.

The appearance of the graphical user interface transitions sequentially between the images shown in FIGS. 1, 3, 5 and 7, FIGS. 2, 4, 6, and 8, FIGS. 7, 5, 3 and 1, and FIGS. 8, 6, 4, and 2. The process or period in which one image transitions to another forms no part of the claimed design.

The broken line showing of the electronic display for a wearable device presenting a graphical user interface is for the purpose of illustrating portions of the electronic display for a wearable device presenting a graphical user interface and forms no part of the claimed design.

The dot-dash broken line encircling the enlarged portions forms no part of the claimed design.

1 Claim, 8 Drawing Sheets



(56)

References Cited

U.S. PATENT DOCUMENTS

D769,897 S * 10/2016 Li G06F 1/163
D14/485
D776,690 S * 1/2017 Tsujimoto G06F 16/9535
D14/486
D799,519 S * 10/2017 Broughton D14/486
D803,849 S * 11/2017 Chaudhri G16H 40/67
D14/485
D807,905 S * 1/2018 Broughton D14/486
D881,212 S * 4/2020 McKibbon, III D14/486
D901,525 S * 11/2020 Carrigan D14/488
2014/0139637 A1 * 5/2014 Mistry G06F 1/163
348/46
2015/0253736 A1 * 9/2015 Watterson G16H 40/67
368/10
2017/0329477 A1 * 11/2017 Sachidanandam
G06F 16/9535

* cited by examiner

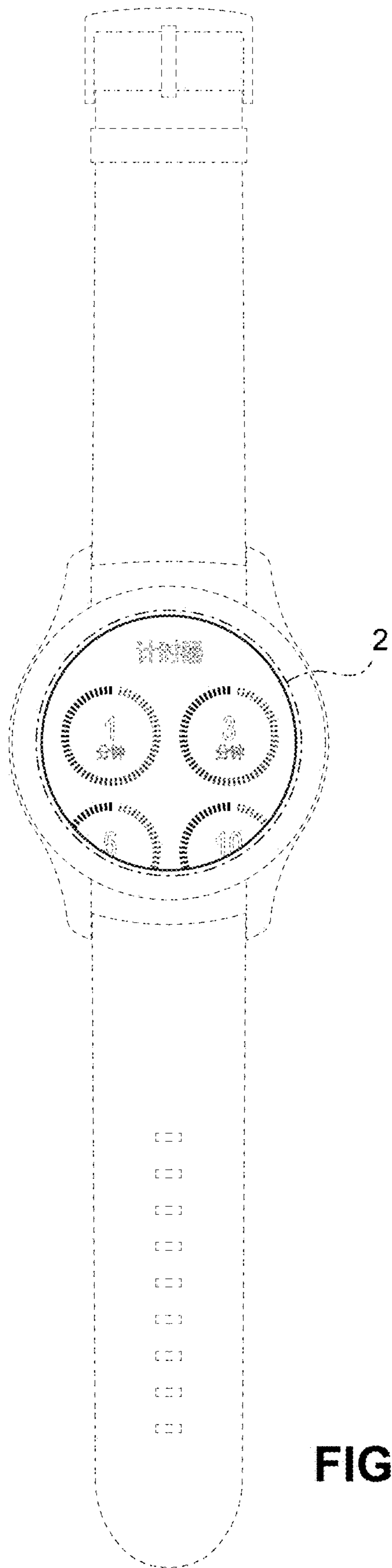


FIG. 1

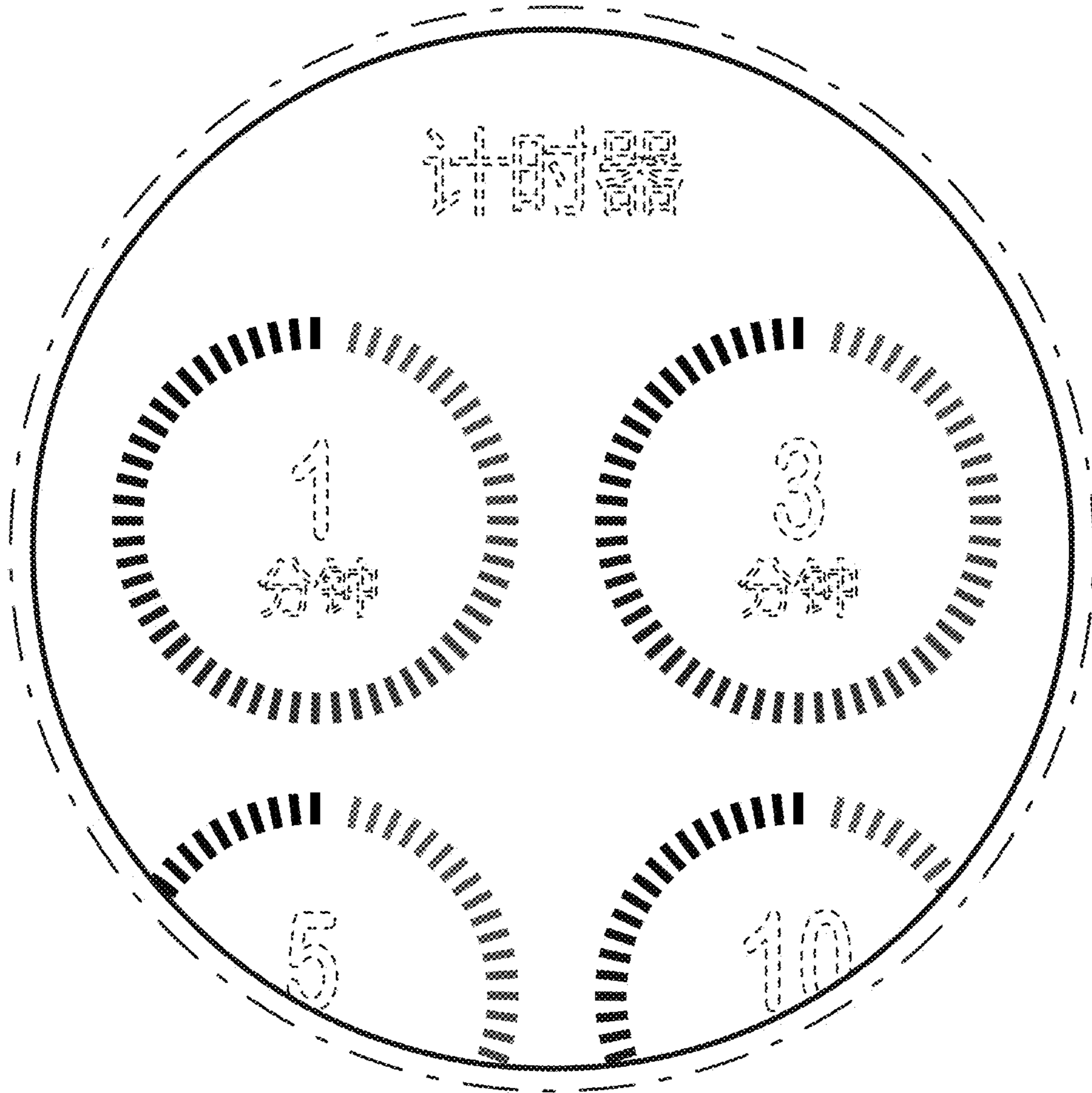


FIG. 2

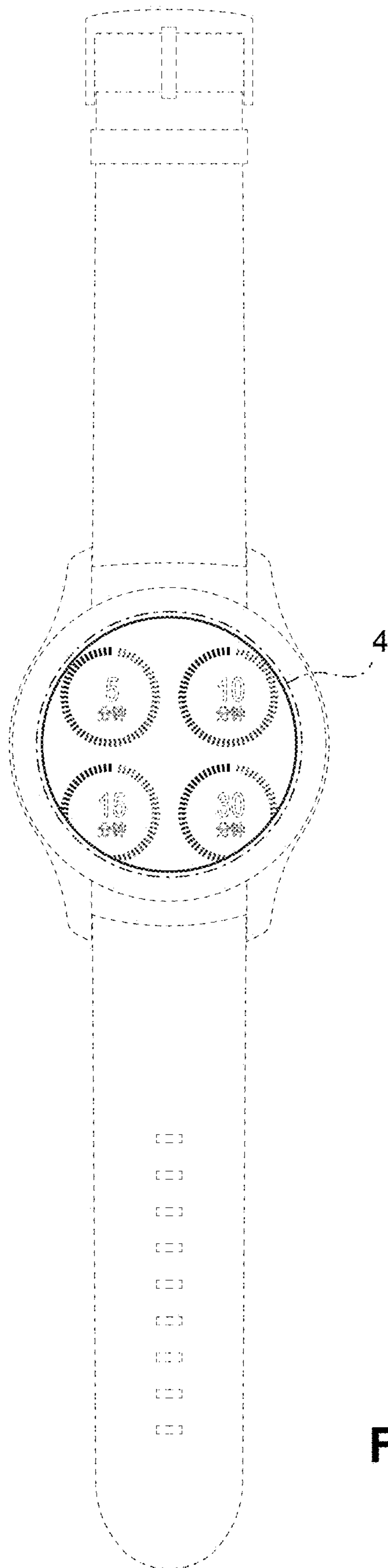


FIG. 3

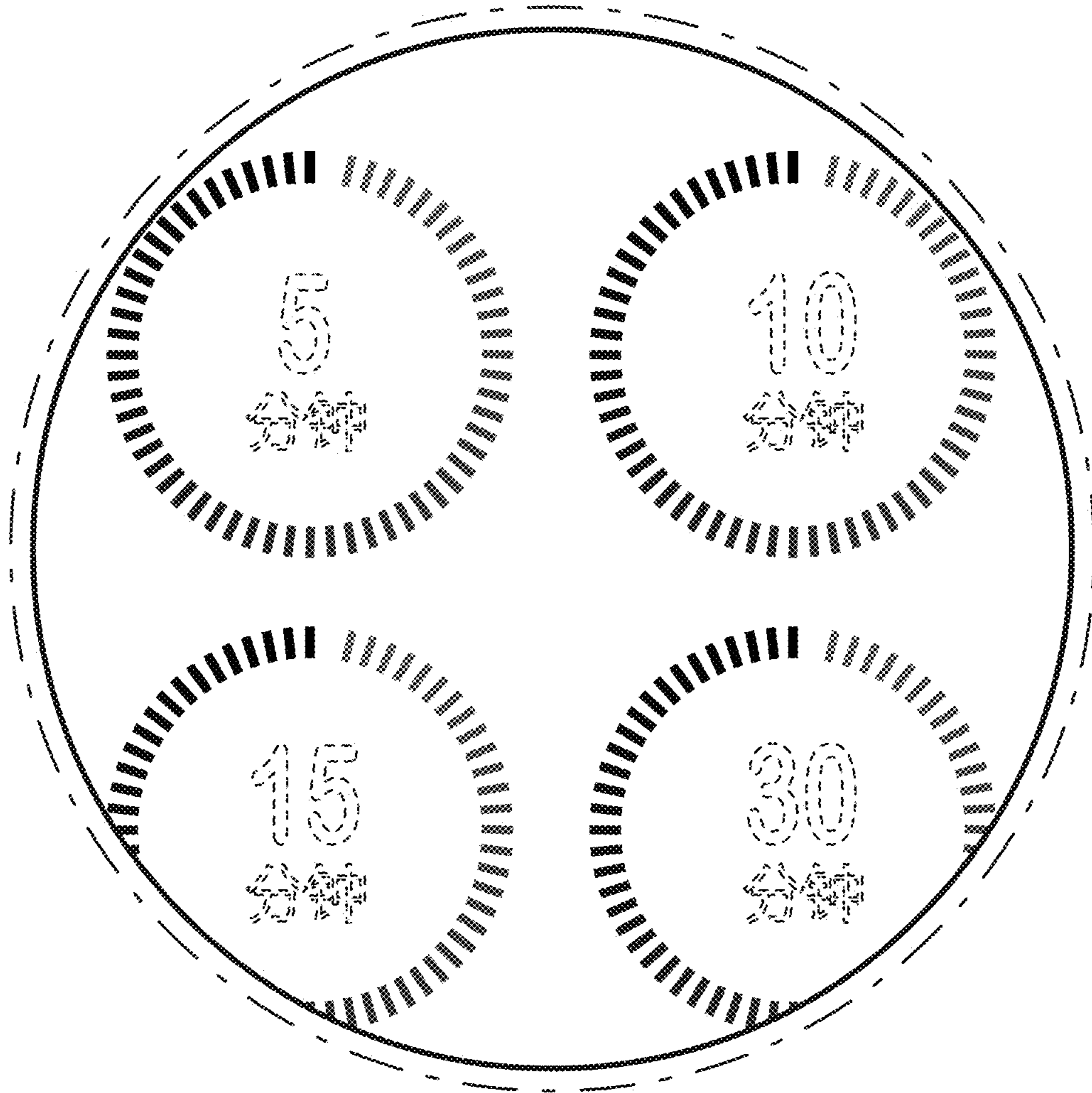


FIG. 4

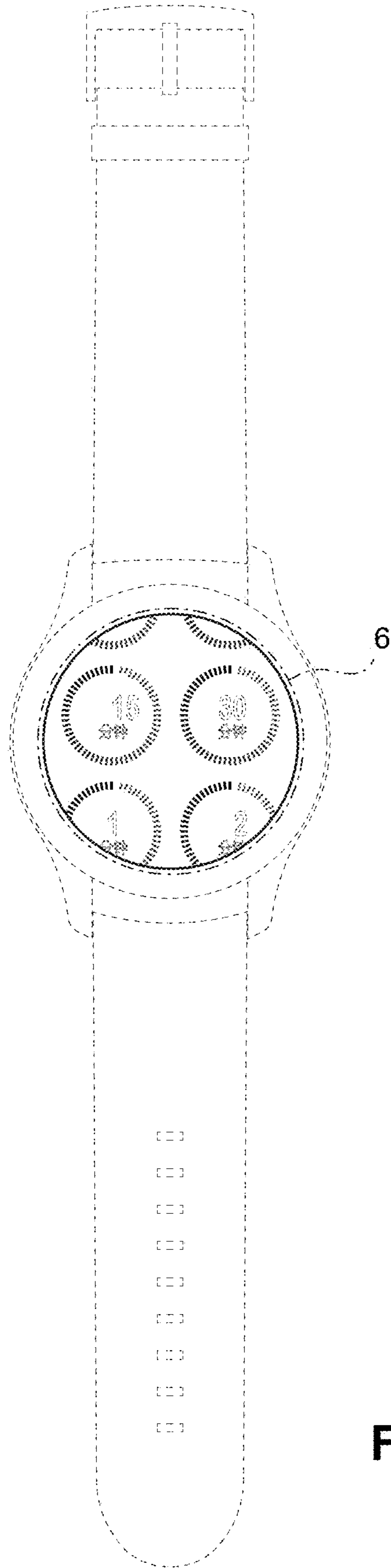


FIG. 5

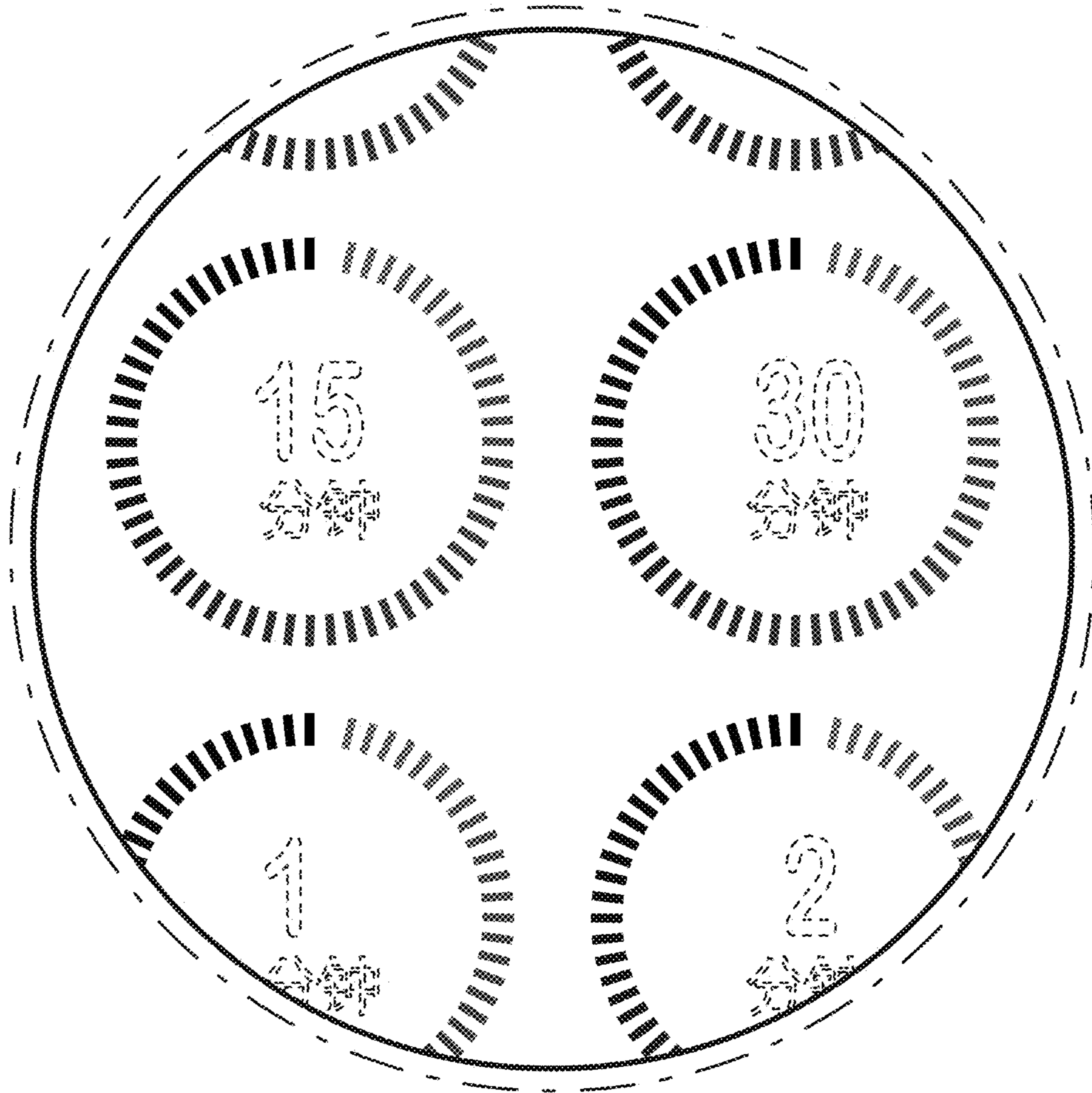


FIG. 6

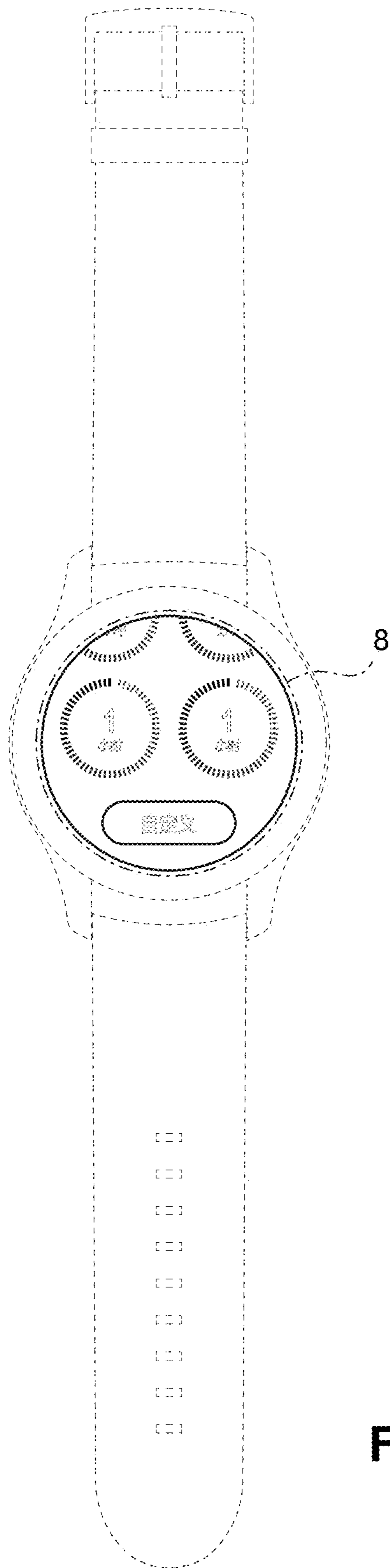


FIG. 7

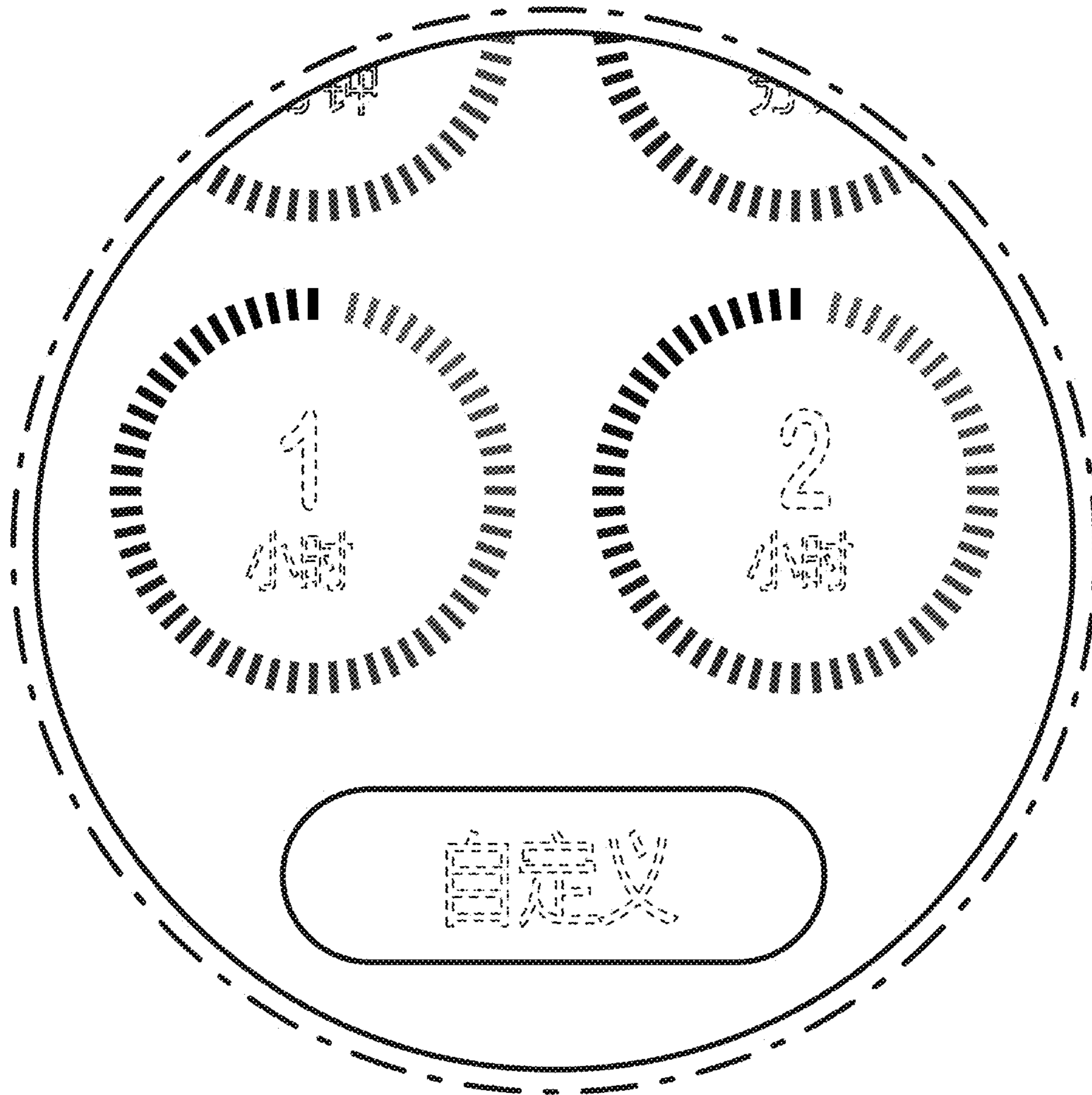


FIG. 8