



US00D930655S

(12) **United States Design Patent**  
**Lin et al.**

(10) **Patent No.:** **US D930,655 S**  
(45) **Date of Patent:** **\*\* Sep. 14, 2021**

(54) **LAPTOP STAND**  
(71) Applicant: **Shenzhen Lixin Technology Development Co., Ltd.**, Shenzhen (CN)  
(72) Inventors: **Shurong Lin**, Shenzhen (CN); **Youjun Yang**, Mian (CN)  
(\*\*) Term: **15 Years**

D685,381 S 7/2013 Symons  
D764,478 S \* 8/2016 Radmard ..... H04B 1/3888  
D827,652 S \* 9/2018 Jacques ..... D14/447  
D861,701 S \* 10/2019 Benoni ..... D14/447  
D867,370 S \* 11/2019 Taylor ..... A47B 23/043  
D14/447  
D898,748 S 10/2020 Ma  
D912,680 S \* 3/2021 Zheng ..... D14/447  
D921,642 S \* 6/2021 Hong ..... D14/447

(21) Appl. No.: **29/775,933**  
(22) Filed: **Mar. 26, 2021**  
(51) **LOC (13) Cl.** ..... **08-07**  
(52) **U.S. Cl.**  
USPC ..... **D14/447**  
(58) **Field of Classification Search**  
USPC ..... D14/447, 432, 434, 439, 440, 451, 452,  
D14/457, 239, 253; D8/363, 373, 380;  
D6/406.3, 406.4, 406.5, 406.6; D12/415;  
D13/108  
CPC ..... A47B 21/04; A47B 2097/006; A47B  
2097/005; A47B 2023/049; A45C  
2011/002; A45C 2011/003; F16M  
2200/00; F16M 13/00  
See application file for complete search history.

\* cited by examiner

Primary Examiner — Angela J Lee

(57) **CLAIM**

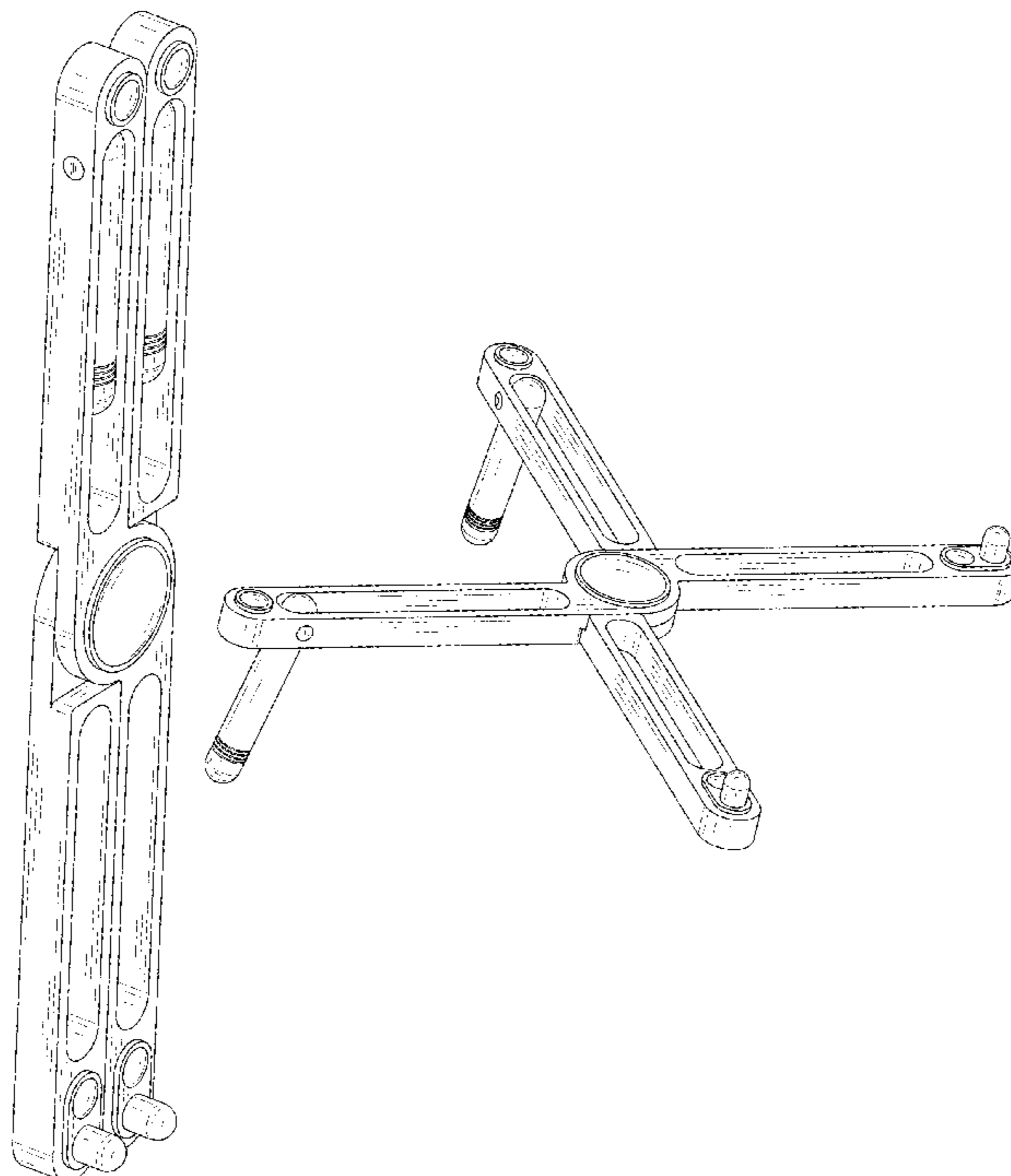
The ornamental design for a laptop stand, as shown and described.

**DESCRIPTION**

FIG. 1 is a first perspective view of a laptop stand showing the new design;  
FIG. 2 is a second perspective view thereof;  
FIG. 3 is a front view thereof;  
FIG. 4 is a back view thereof;  
FIG. 5 is a left side view thereof;  
FIG. 6 is a right side view thereof;  
FIG. 7 is a top view thereof;  
FIG. 8 is a bottom view thereof; and,  
FIG. 9 is a perspective view of another state of the laptop stand thereof.  
The broken lines shown in the drawings depict portions of the laptop stand in which the design is embodied that form no part of the claimed design.

(56) **References Cited**  
U.S. PATENT DOCUMENTS  
D575,293 S \* 8/2008 Derry ..... D14/447  
D620,941 S 8/2010 Stacey et al.  
D658,189 S \* 4/2012 Zhao ..... D14/447  
D659,147 S \* 5/2012 Hu ..... D14/447  
D668,256 S \* 10/2012 Matteo ..... D14/447  
D669,482 S \* 10/2012 Hu ..... D14/447  
D672,782 S \* 12/2012 Gross ..... D14/447

**1 Claim, 9 Drawing Sheets**



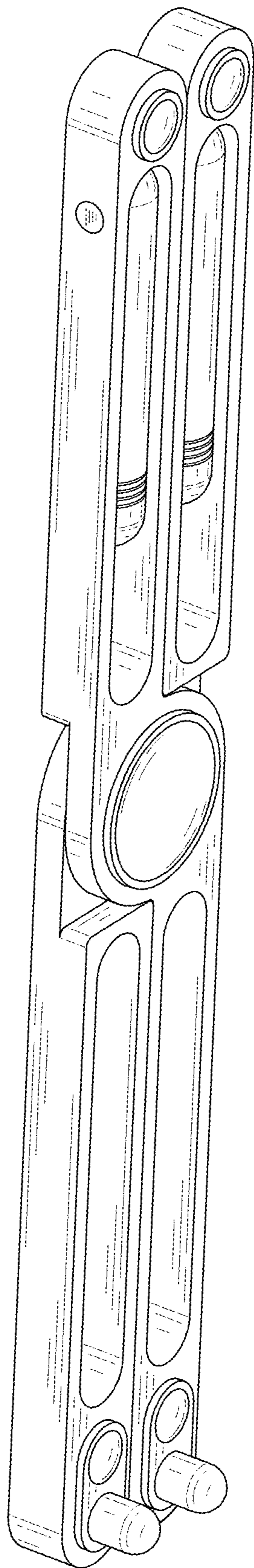


FIG. 1

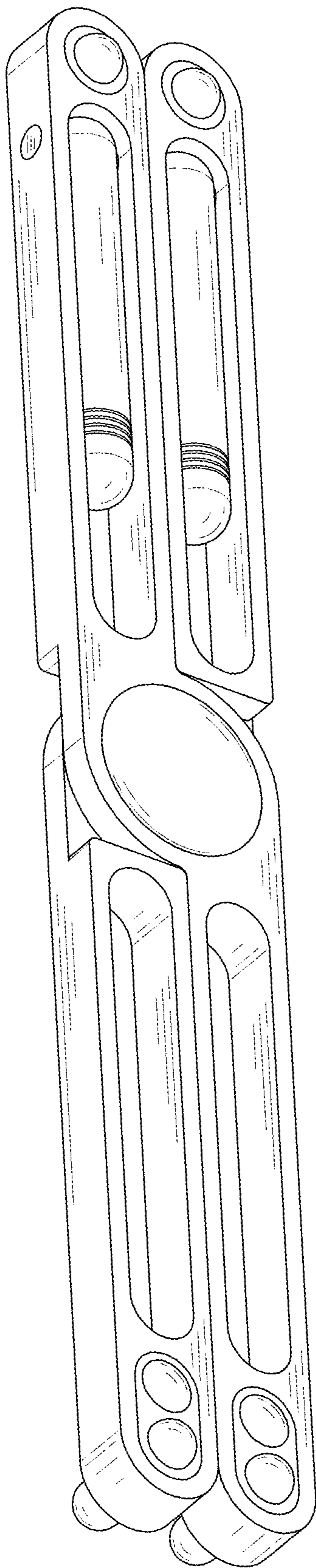


FIG. 2

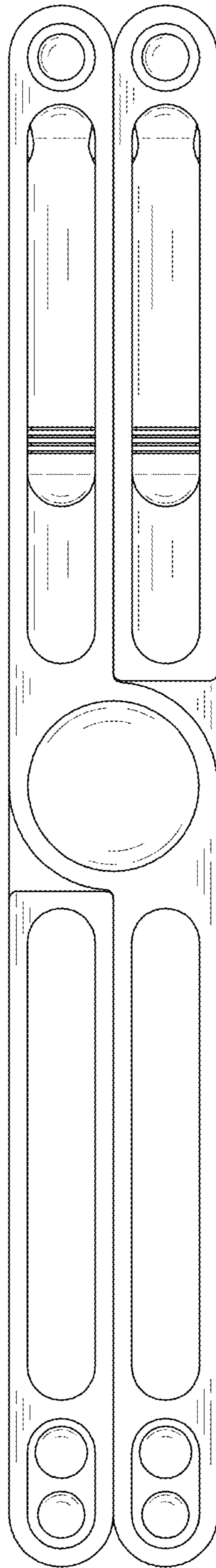


FIG. 3

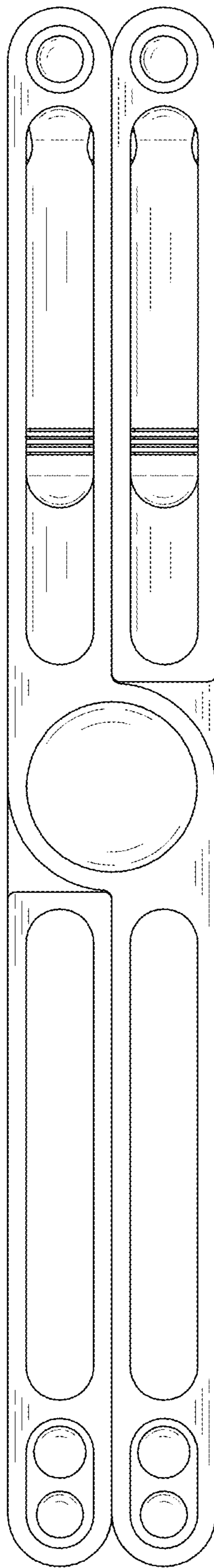


FIG. 4

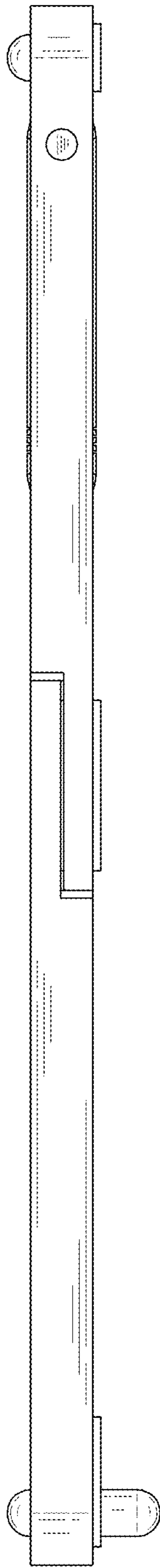


FIG. 5



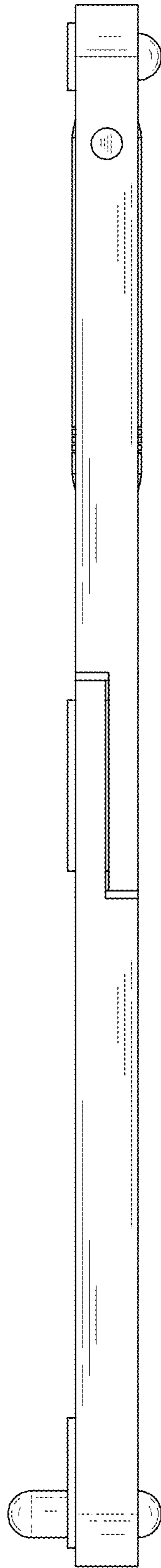


FIG. 6

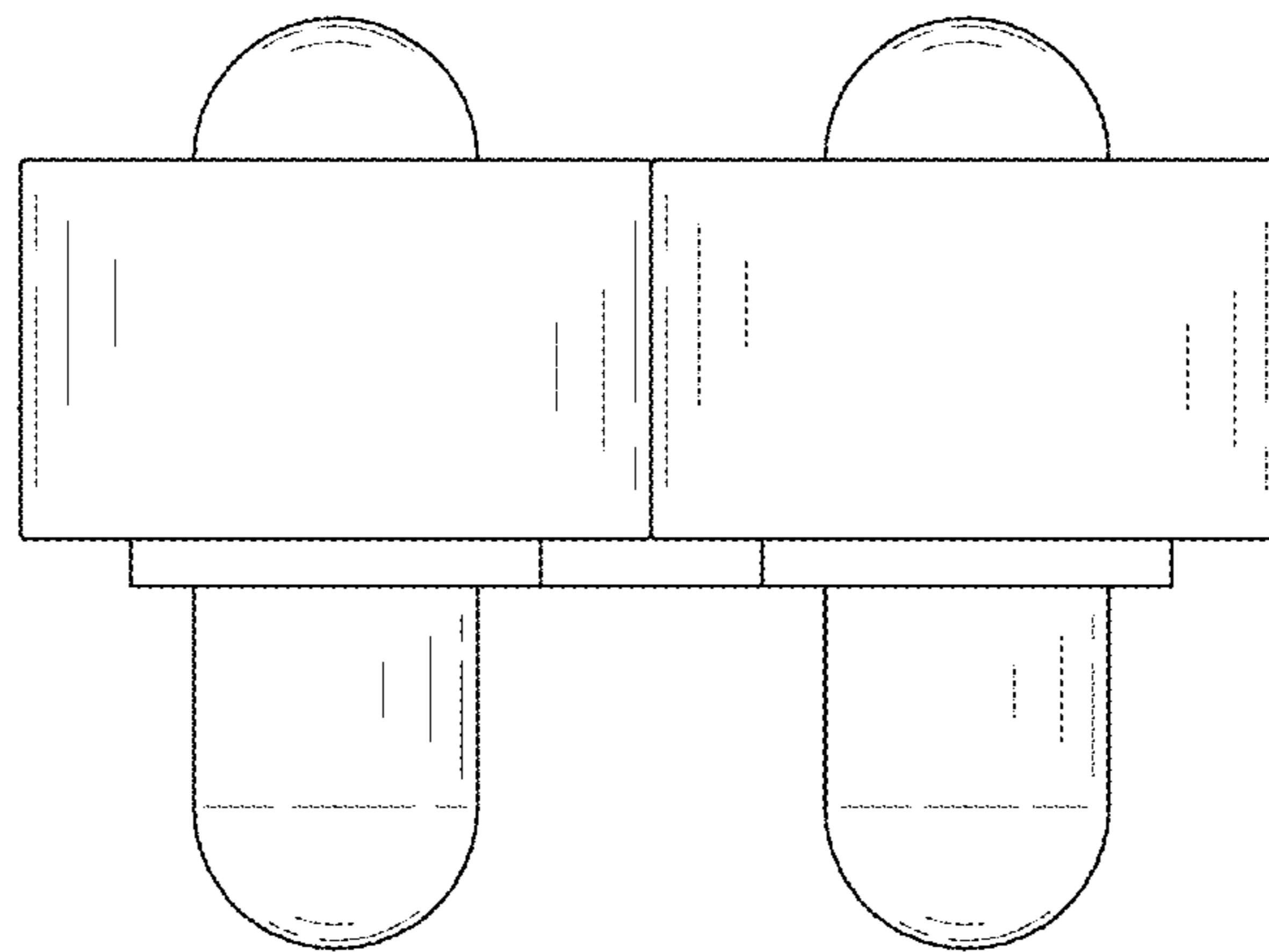


FIG. 7



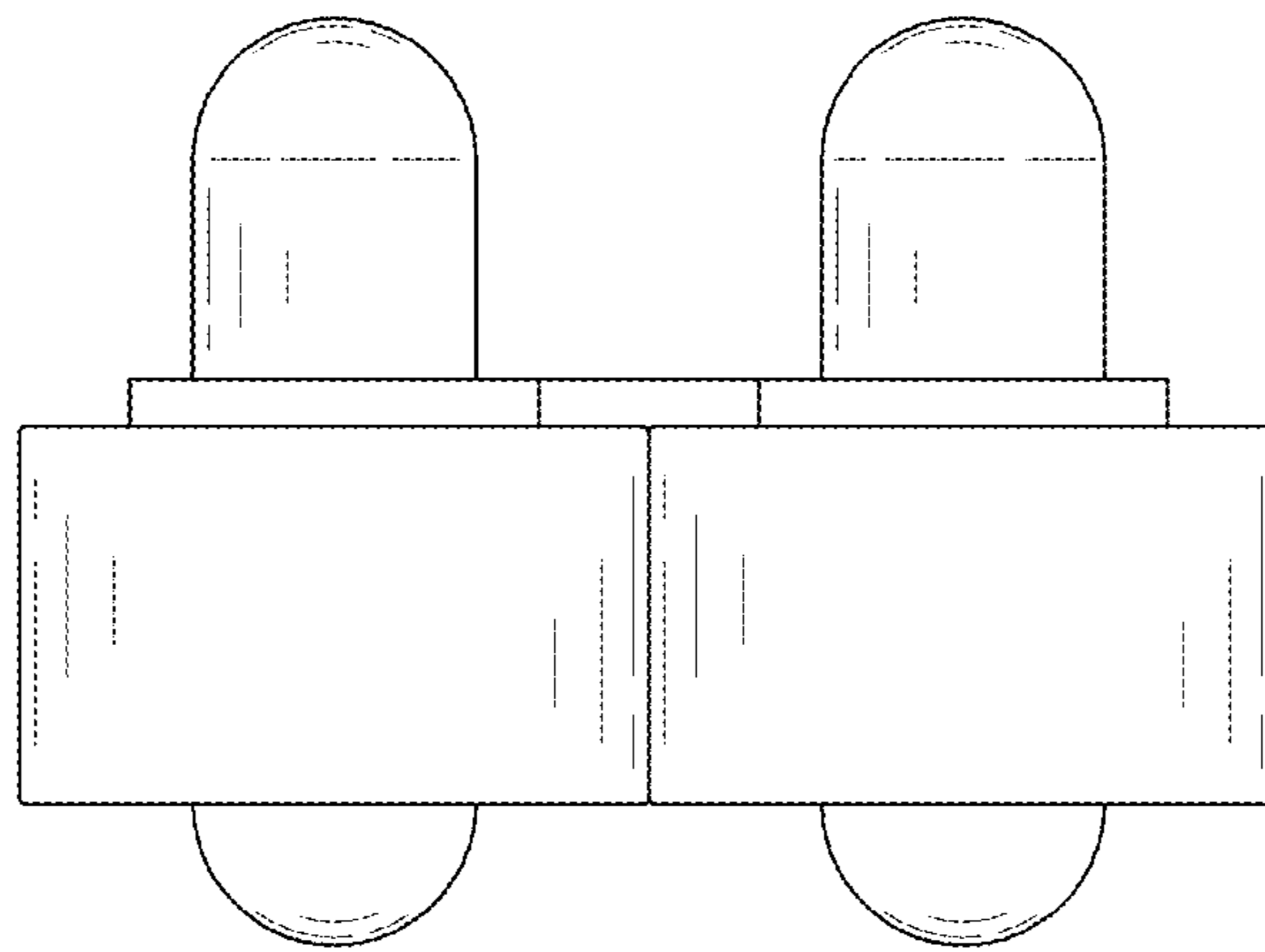


FIG. 8

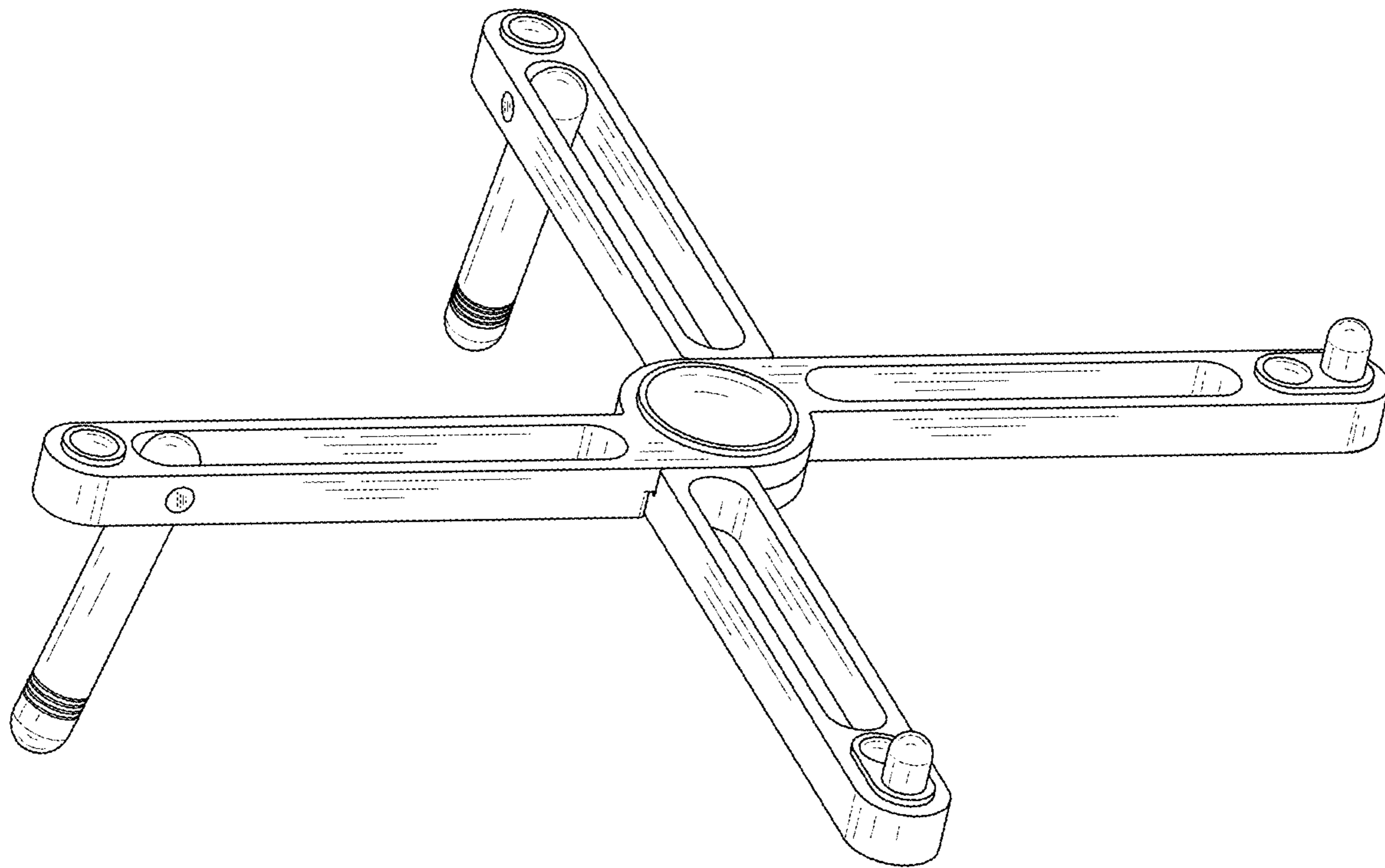


FIG. 9