



US00D930654S

(12) **United States Design Patent** (10) **Patent No.:** **US D930,654 S**
Toner (45) **Date of Patent:** **** Sep. 14, 2021**

(54) **CLIP AND MOUNTING SYSTEM**
(71) Applicant: **SynergyWiz, Inc.**, Saint Petersburg, FL (US)
(72) Inventor: **Stephen John Toner**, Tampa, FL (US)
(73) Assignee: **SynergyWiz, Inc.**, Saint Petersburg, FL (US)

9,423,671 B2 8/2016 O'Neill et al.
D809,449 S * 2/2018 Zhang D12/415
D833,449 S * 11/2018 Khubani D14/447
10,238,184 B2 3/2019 Moran
D875,103 S * 2/2020 Vogel D14/447
D878,352 S * 3/2020 Yang D14/253
D912,431 S * 3/2021 Moore D6/406.3
2005/0232413 A1 10/2005 Tages et al.
2012/0050968 A1 3/2012 Child et al.
2014/0360893 A1 12/2014 Whitten et al.
2019/0154190 A1 5/2019 Yun

(**) Term: **15 Years**

FOREIGN PATENT DOCUMENTS

(21) Appl. No.: **29/748,184**

FR 3033065 4/2018

(22) Filed: **Aug. 27, 2020**

OTHER PUBLICATIONS

(51) **LOC (13) Cl.** **08-07**

(52) **U.S. Cl.**
USPC **D14/447**

AustriAlpin GmbH, Product Demonstration, <https://austrialpin.net/product-demonstration/>, The publication date is Feb. 12, 2020.

(58) **Field of Classification Search**
USPC D14/447, 432, 434, 439, 440, 451, 452, D14/457, 239, 253; D8/363, 373, 380; D6/406.3, 406.4, 406.5, 406.6; D12/415
CPC A47B 21/04; A47B 2097/006; A47B 2097/005; A47B 2023/049; A45C 2011/002; A45C 2011/003; F16M 2200/00; F16M 13/00

* cited by examiner

Primary Examiner — Angela J Lee
(74) *Attorney, Agent, or Firm* — Larson & Larson, P.A.; Frank Liebenow; Justin P. Miller

See application file for complete search history.

(57) **CLAIM**

The ornamental design for a clip and mounting system, as shown and described.

(56) **References Cited**

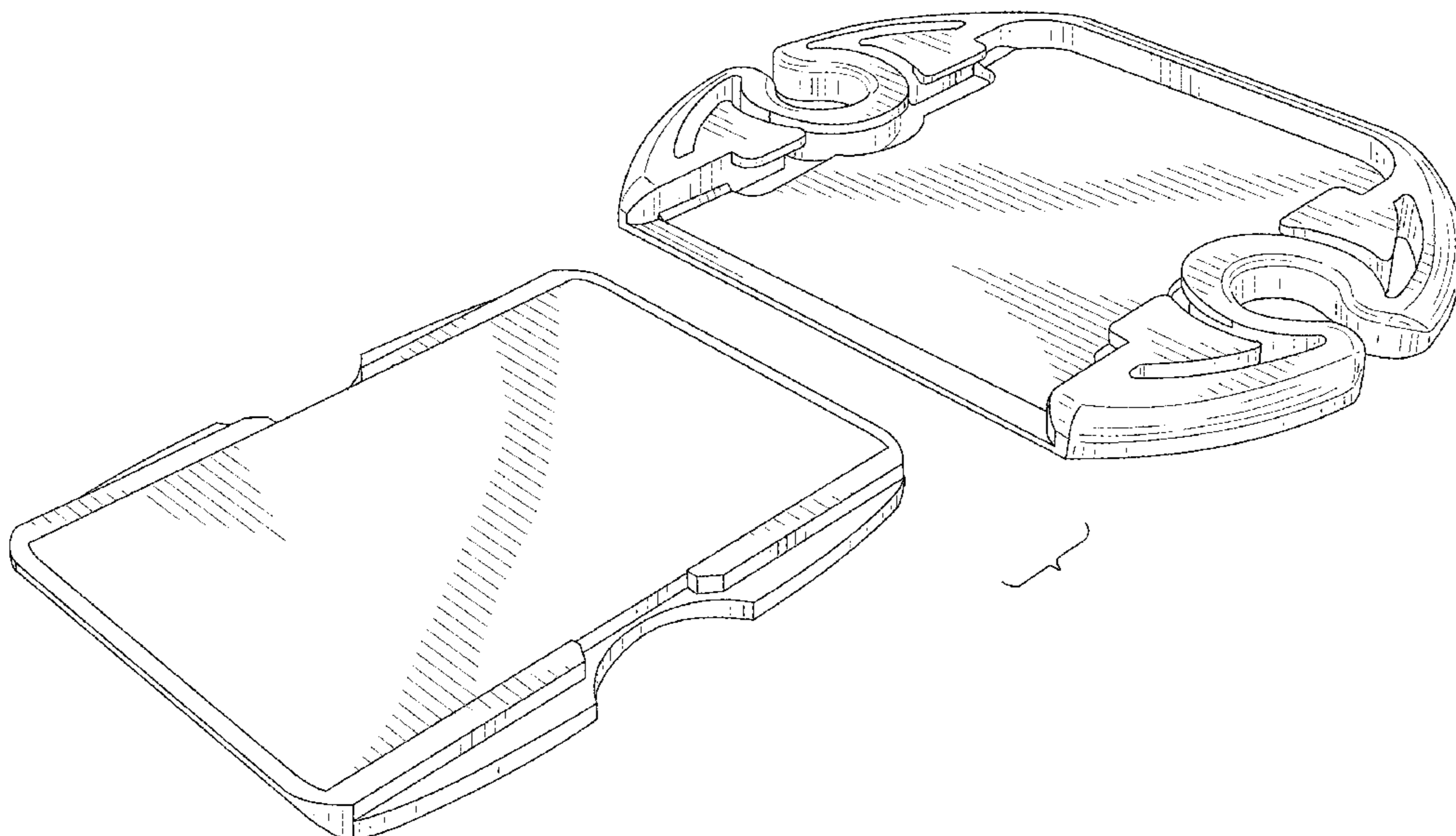
DESCRIPTION

U.S. PATENT DOCUMENTS

4,317,263 A 3/1982 Fohl
D350,536 S * 9/1994 McKnight D14/447
D414,166 S * 9/1999 Paris D14/447
D507,777 S * 7/2005 Klopp, III D12/415
D616,732 S * 6/2010 Brockington D8/373
D674,381 S * 1/2013 Ma D14/253
8,572,820 B2 11/2013 Richards
D701,213 S * 3/2014 Pajic D14/447
D701,215 S * 3/2014 King D14/447
D708,620 S * 7/2014 Holmes D14/440
8,899,411 B2 12/2014 Van Geer

FIG. 1 is a front plan view of a clip and mounting system showing my new design;
FIG. 2 is a rear plan view thereof;
FIG. 3 is a right-side elevation view thereof;
FIG. 4 is a left-side elevation view thereof;
FIG. 5 is a bottom plan view thereof;
FIG. 6 is a top plan view thereof; and,
FIG. 7 is a perspective view thereof.

1 Claim, 5 Drawing Sheets



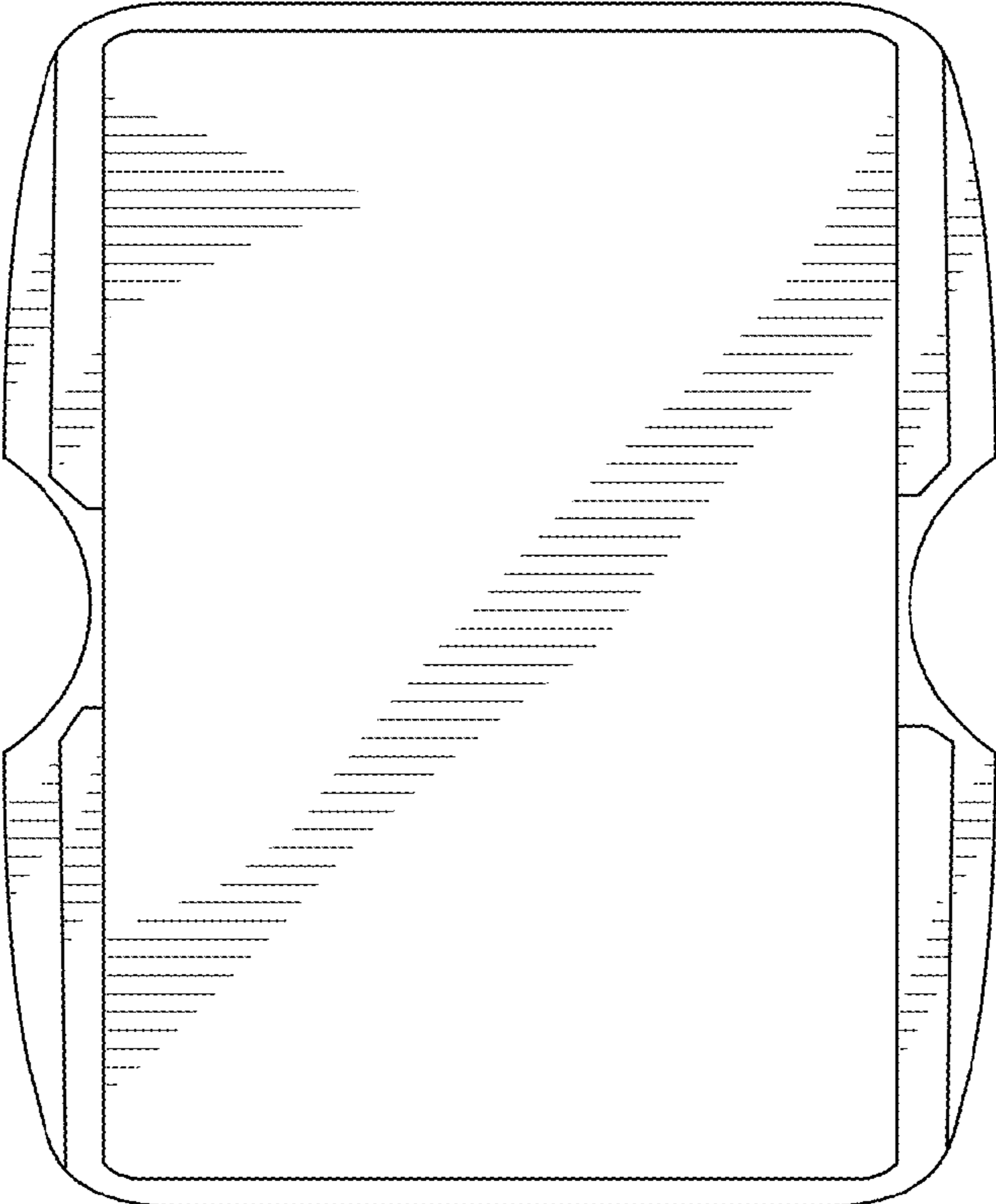
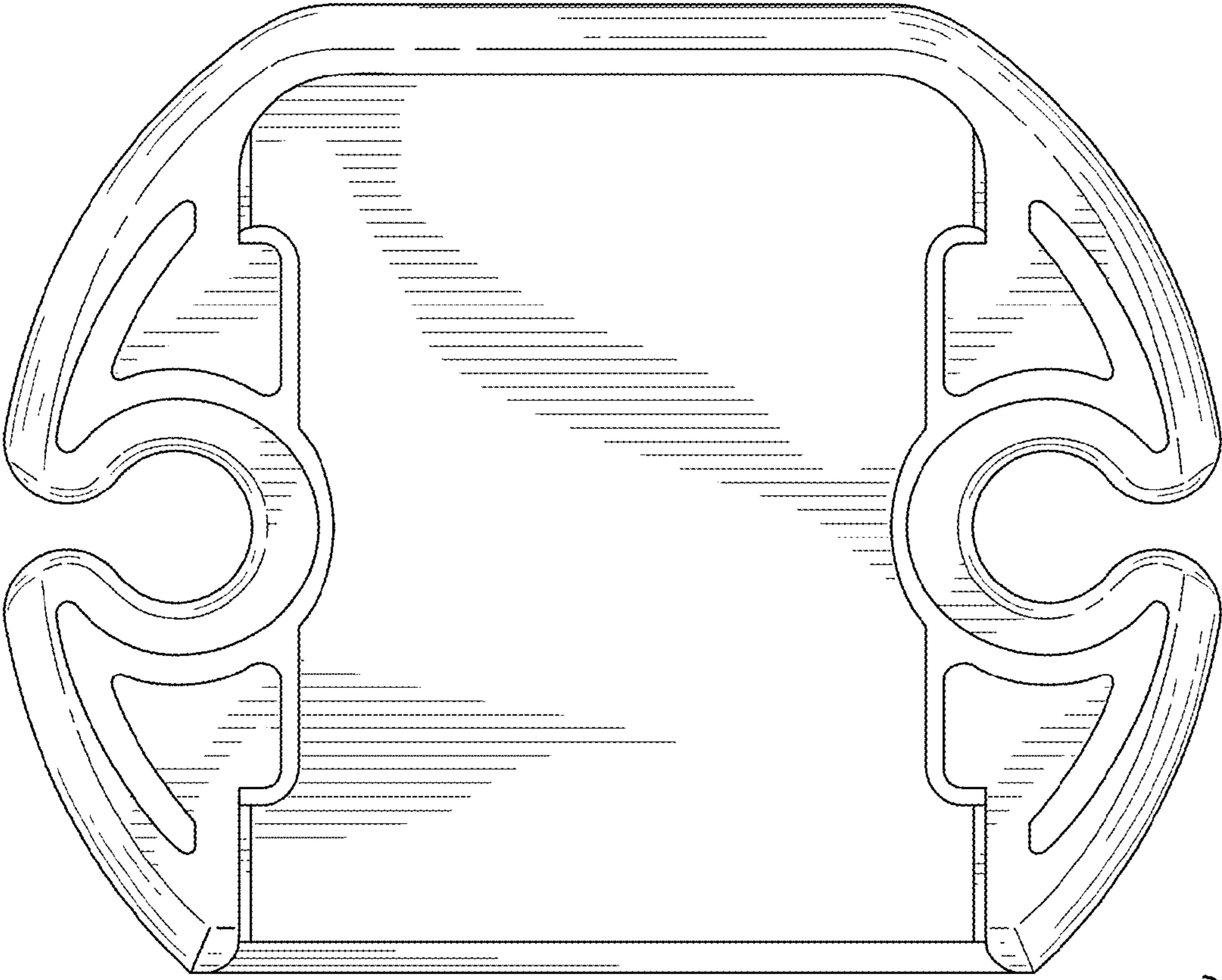


FIG. 1

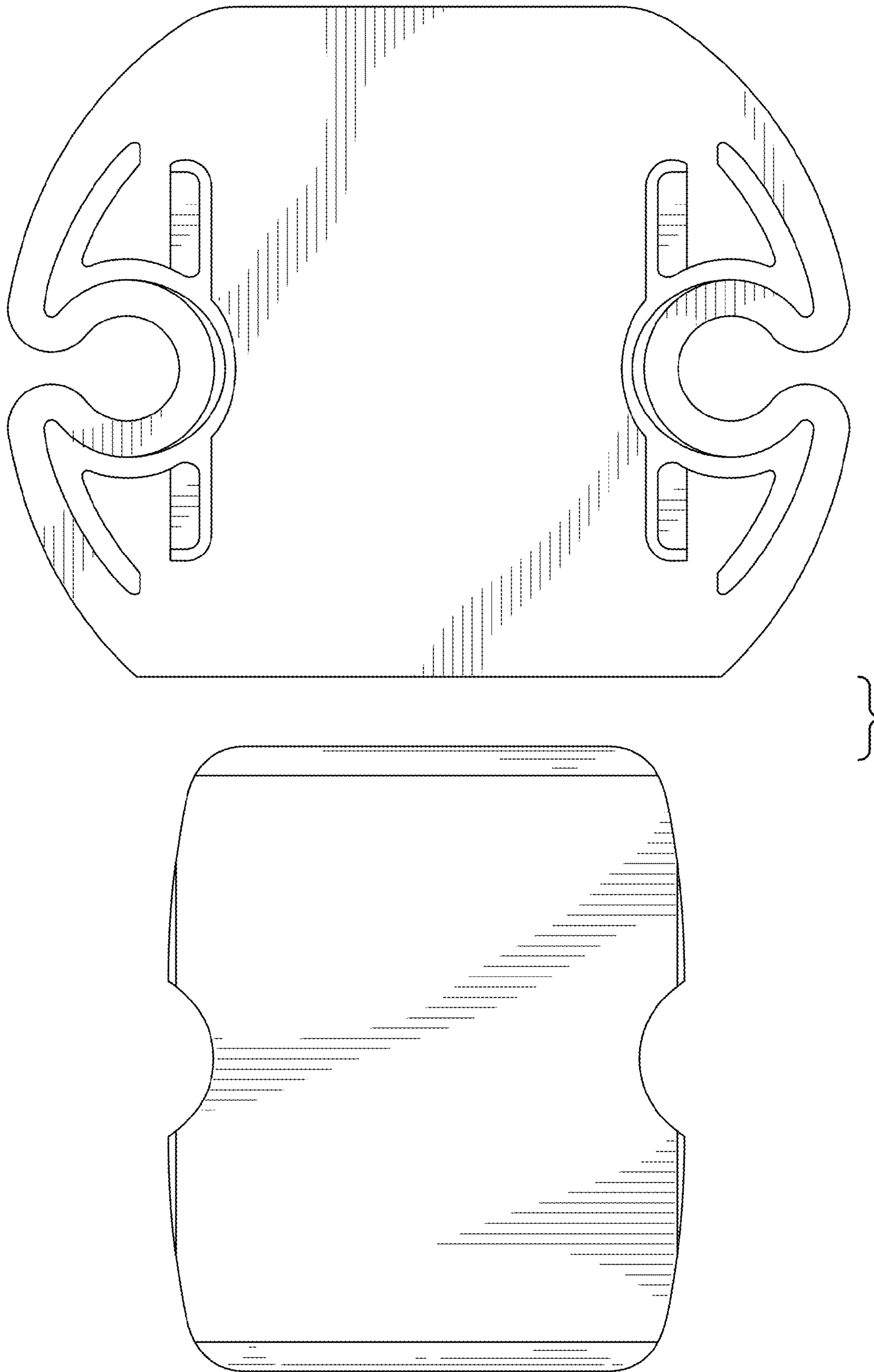


FIG. 2

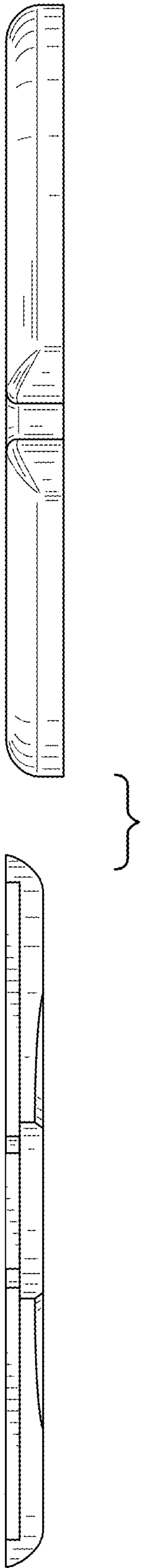


FIG. 3

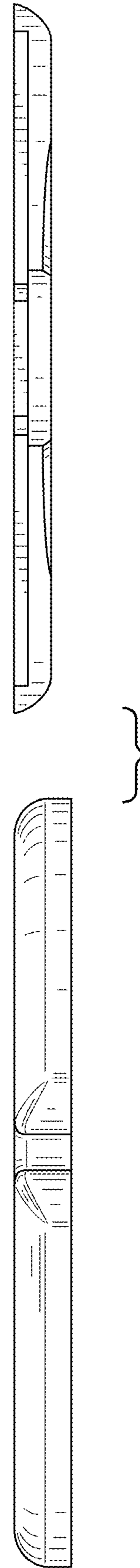


FIG. 4



FIG. 5



FIG. 6

