



US00D930653S

(12) **United States Design Patent**
Armstrong

(10) **Patent No.:** **US D930,653 S**
(45) **Date of Patent:** **** Sep. 14, 2021**

(54) **CASE FOR A MOBILE ELECTRONIC DEVICE**

(71) Applicant: **Urban Armor Gear LLC**, Laguna Niguel, CA (US)

(72) Inventor: **Steven Armstrong**, San Juan Capistrano, CA (US)

(73) Assignee: **URBAN ARMOR GEAR, LLC**, Laguna Niguel, CA (US)

(**) Term: **15 Years**

(21) Appl. No.: **29/702,713**

(22) Filed: **Aug. 21, 2019**

(51) **LOC (13) Cl.** **14-02**

(52) **U.S. Cl.**
USPC **D14/440**

(58) **Field of Classification Search**
USPC D14/217, 238.1, 240, 248, 250, 251–253, D14/439, 440, 447; D13/107–108, 103, D13/119; D3/201, 218, 247, 269, 273, D3/301, 303, 249
CPC H04B 1/3888; H04M 1/0283; H04M 1/0202; A45C 1/06; A45C 11/00; A45C 13/02; A45C 2011/002; A45F 2005/026; A45F 2200/0525; A45F 2200/0516

See application file for complete search history.

(56) **References Cited**

U.S. PATENT DOCUMENTS

D733,154 S	*	6/2015	Armstrong	D14/440
D737,276 S	*	8/2015	Armstrong	D14/440
D766,249 S	*	9/2016	Veltz	D14/440
D766,907 S	*	9/2016	Veltz	D14/440
D804,468 S	*	12/2017	Armstrong	D14/315
D806,083 S	*	12/2017	Armstrong	D14/440
D850,456 S	*	6/2019	Armstrong	D14/440

D853,402 S	*	7/2019	Yang	D14/440
D854,023 S	*	7/2019	Yang	D14/440
D868,789 S	*	12/2019	Weng	D14/440
D868,790 S	*	12/2019	Weng	D14/440
2017/0045920 A1	*	2/2017	Armstrong	G06F 1/1669

* cited by examiner

Primary Examiner — Mojtaba Tehrani

(74) *Attorney, Agent, or Firm* — K&L Gates LLP; Brian J. Novak; Georgia N. Kefallinos

(57) **CLAIM**

The ornamental design for a case for a mobile electronic device, as shown and described.

DESCRIPTION

FIG. 1 is a top rear perspective view of a case for a mobile electronic device. Showing my new design in deployed configuration.

FIG. 2 is a bottom rear perspective view of the case of FIG. 1.

FIG. 3 is a front perspective view of the case of FIG. 1.

FIG. 4 is a rear elevation view of the case of FIG. 1.

FIG. 5 is a front elevation view of the case of FIG. 1.

FIG. 6 is a right side elevation view of the case of FIG. 1.

FIG. 7 is a left side elevation view of the case of FIG. 1.

FIG. 8 is a top plan view of the case of FIG. 1.

FIG. 9 is a bottom plan view of the case of FIG. 1.

FIG. 10 is a top rear perspective view of the case of FIG. 1, shown in a stowed configuration.

FIG. 11 is a rear elevation view of the case of FIG. 1.

FIG. 12 is a front elevation view of the case of FIG. 1.

FIG. 13 is a right side elevation view of the case of FIG. 1.

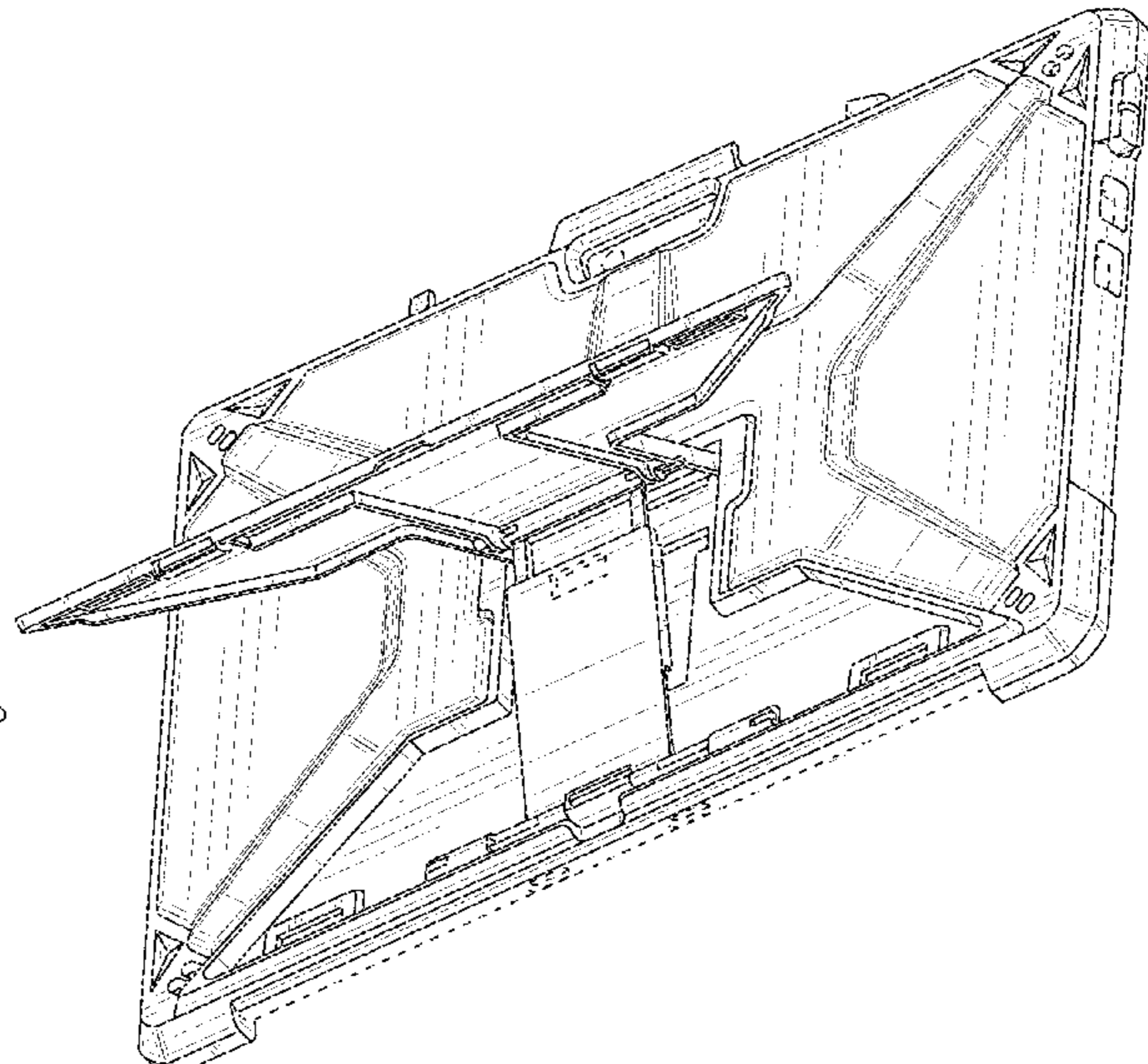
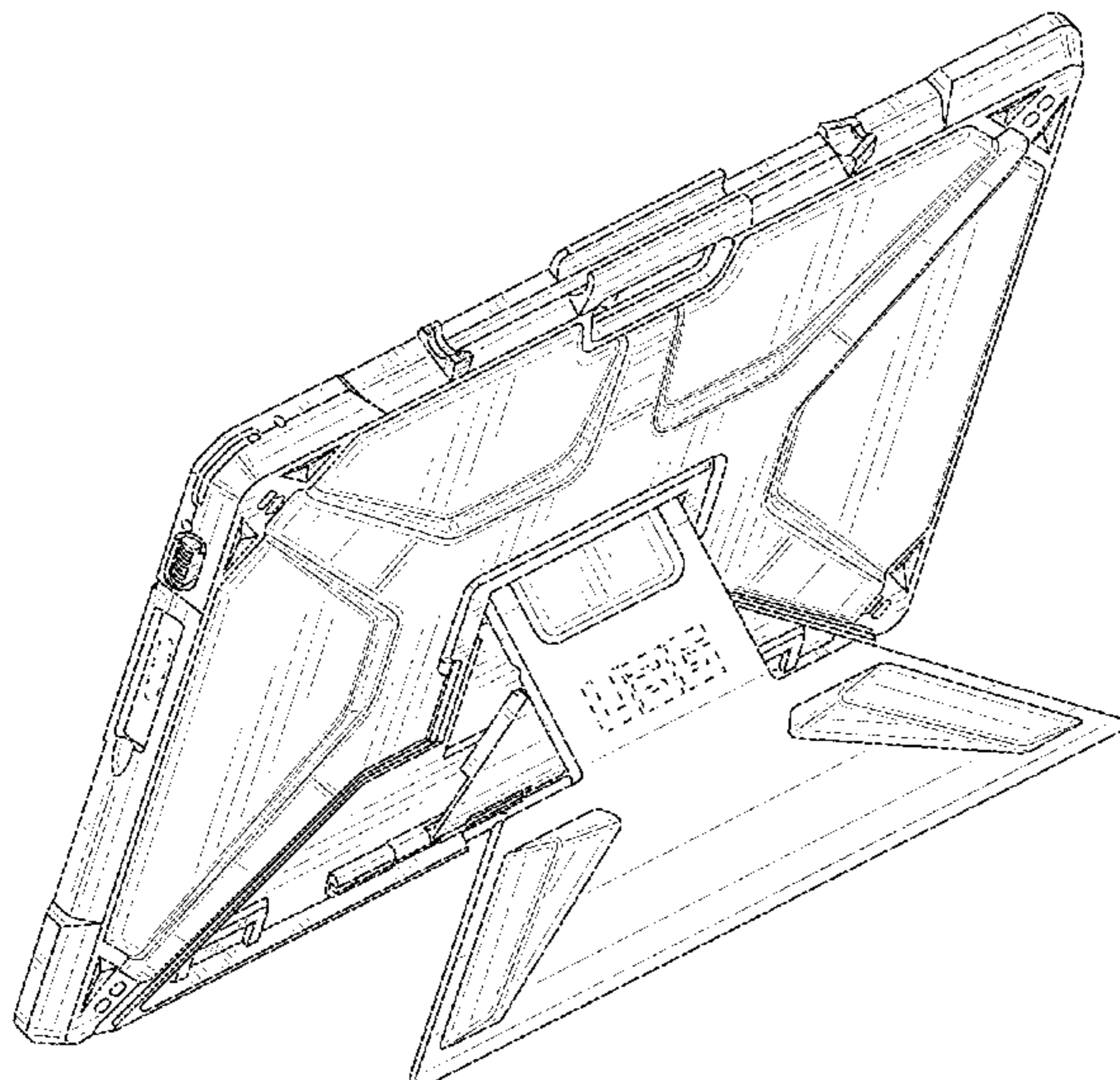
FIG. 14 is a left side elevation view of the case of FIG. 1.

FIG. 15 is a top plan view of the case of FIG. 1; and,

FIG. 16 is a bottom plan view of the case of FIG. 1.

All letters shown in broken lines form no part of the claim. The broken lines showing of a mobile electronic device form no part of the claim.

1 Claim, 16 Drawing Sheets



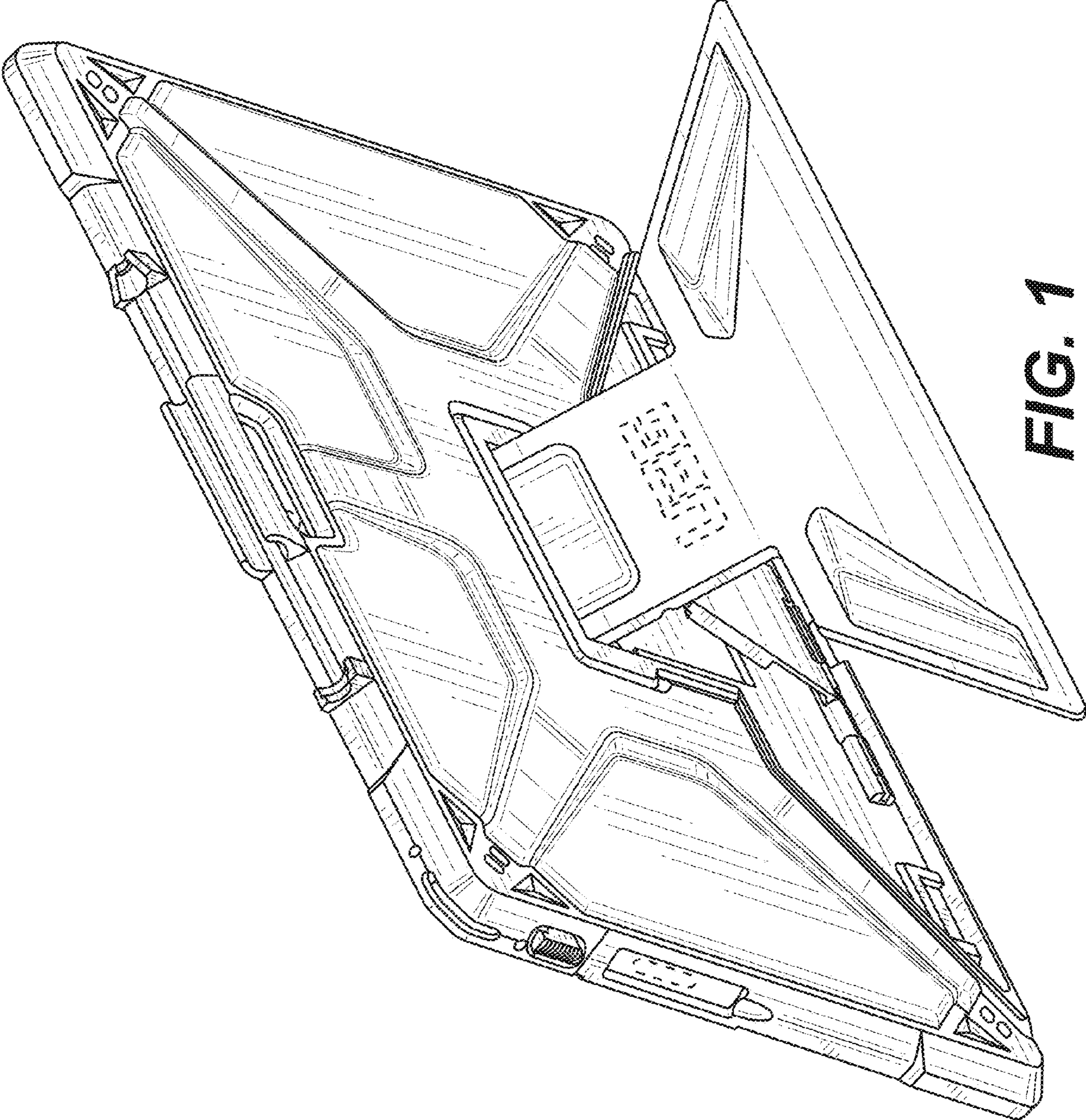


FIG. 1

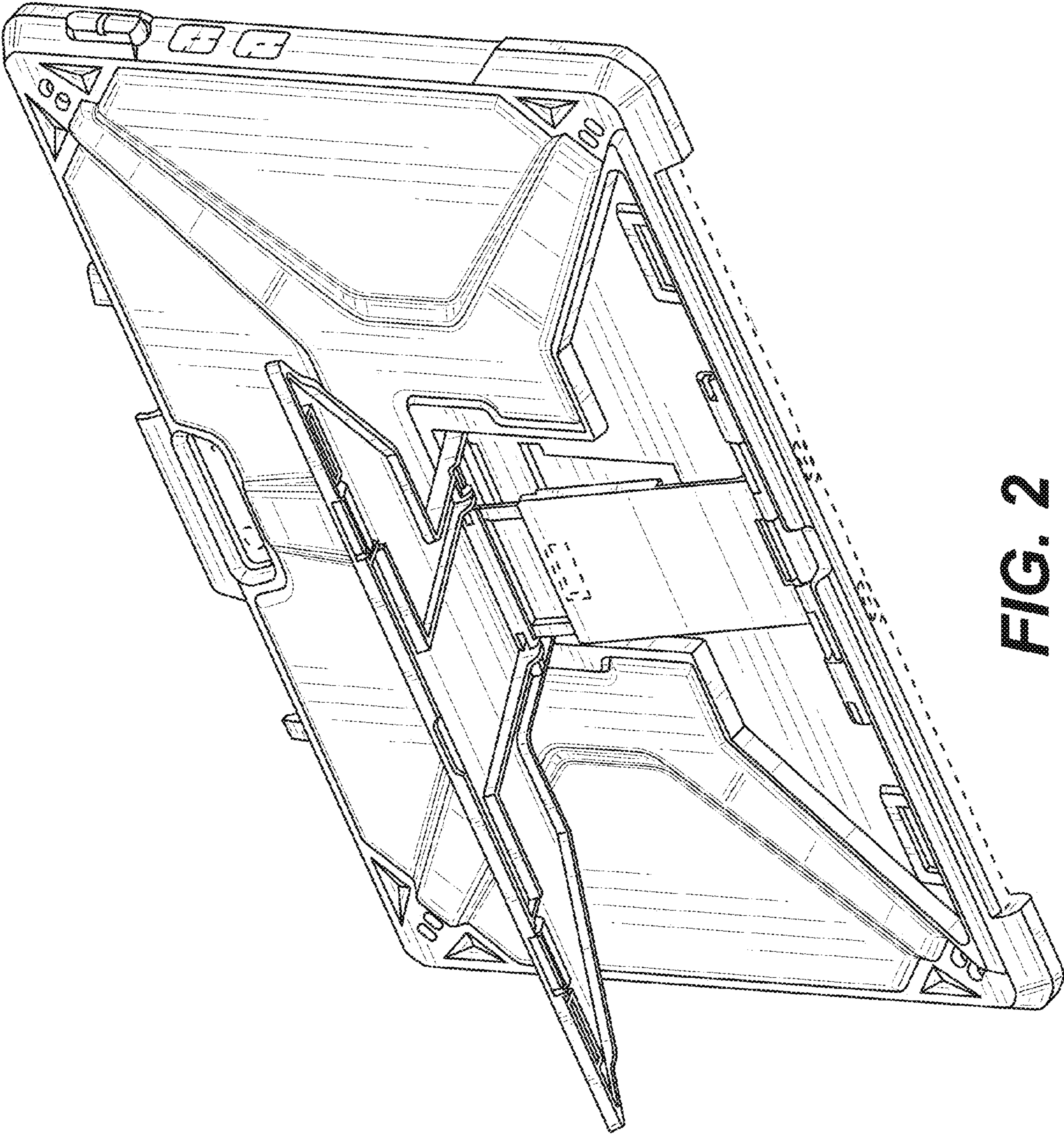


FIG. 2

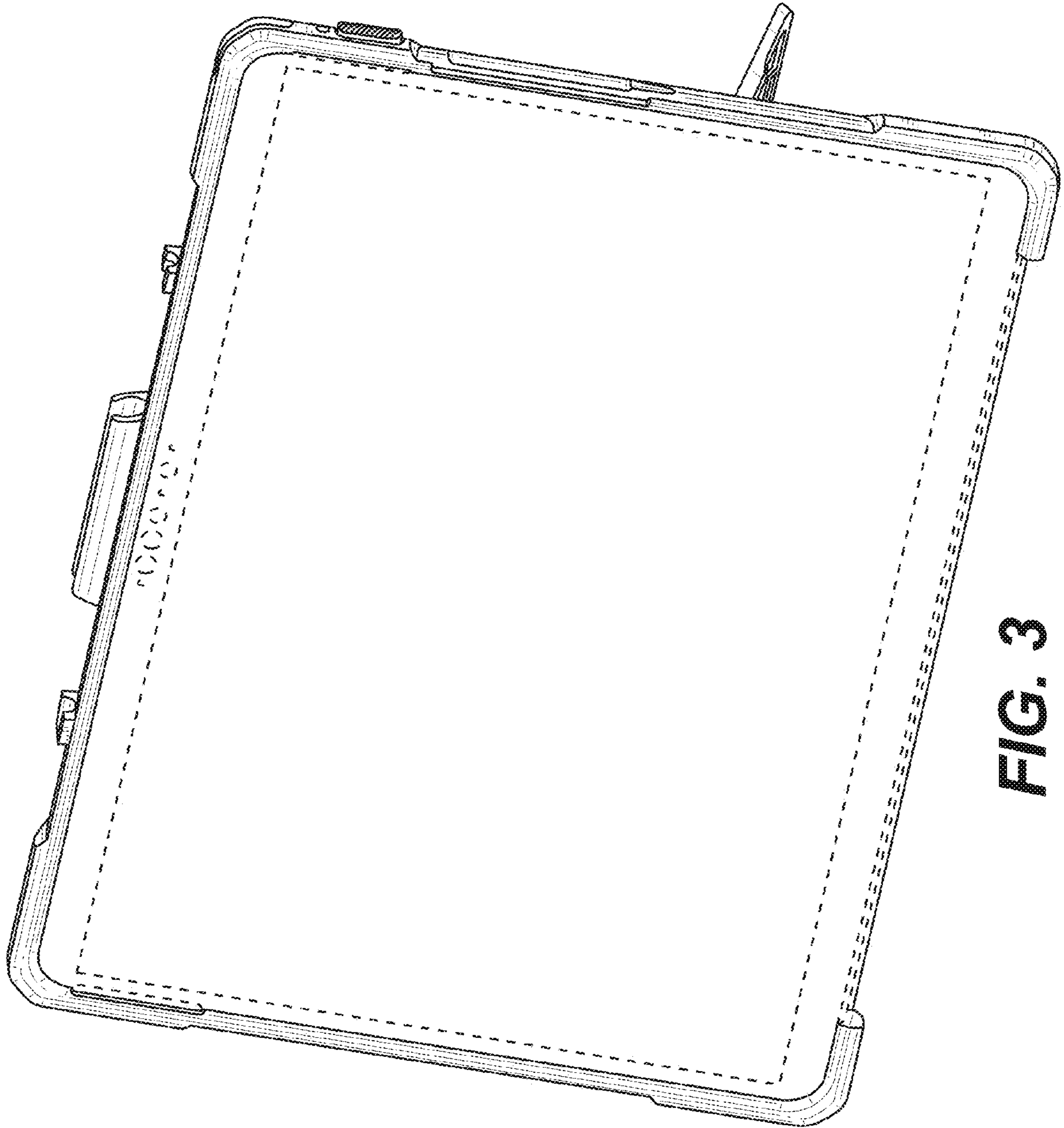


FIG. 3

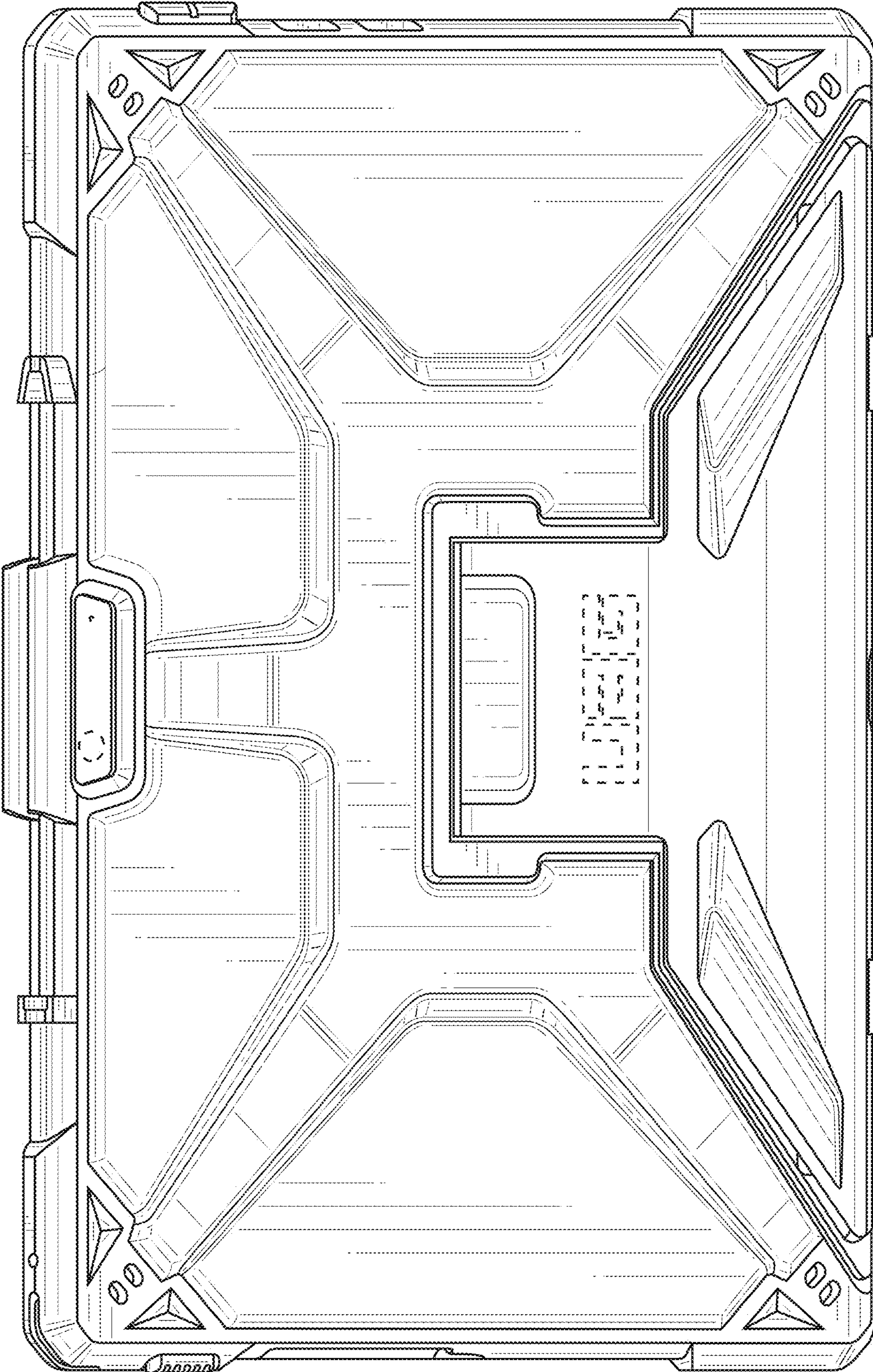


FIG. 4

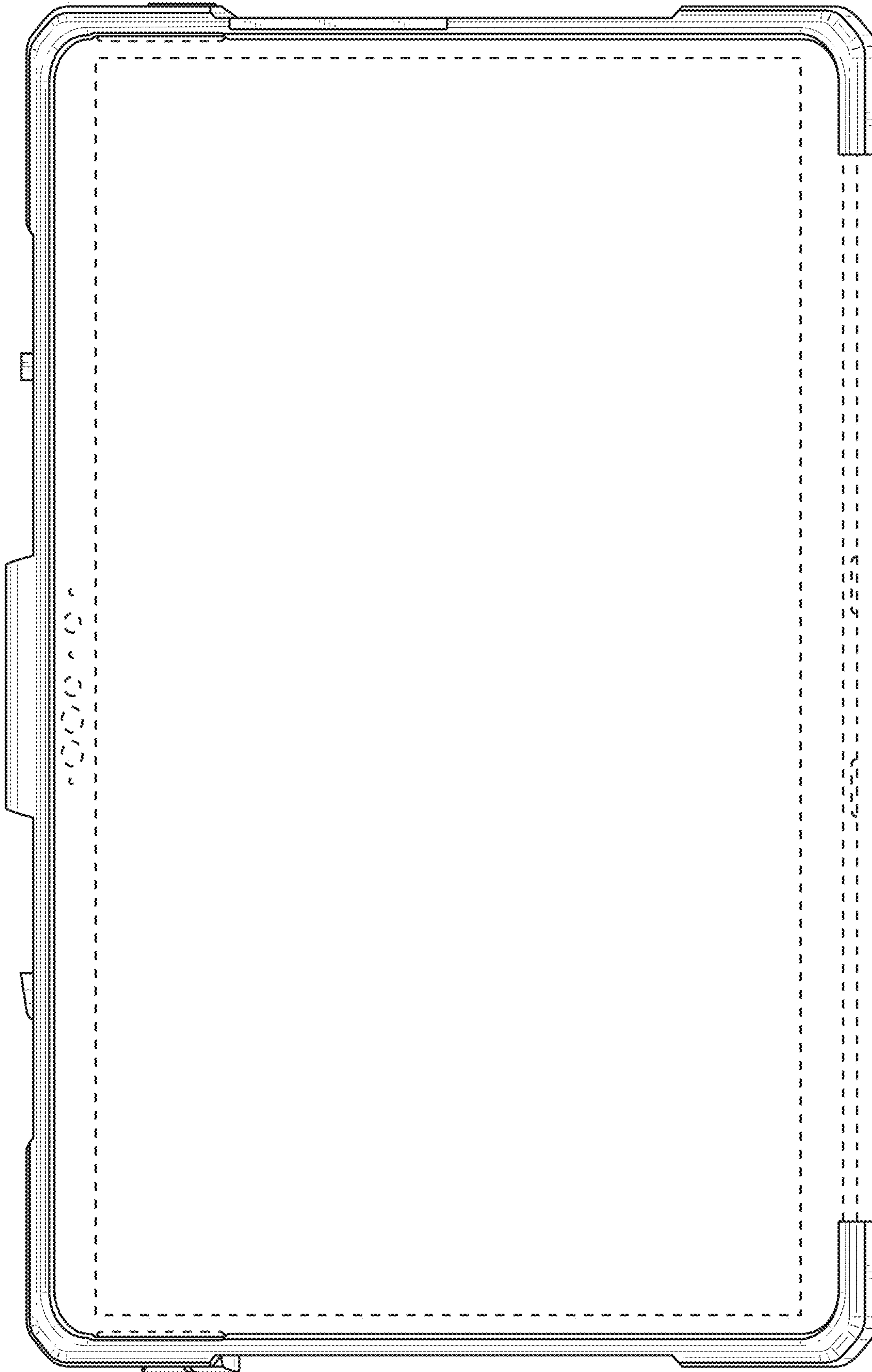


FIG. 5

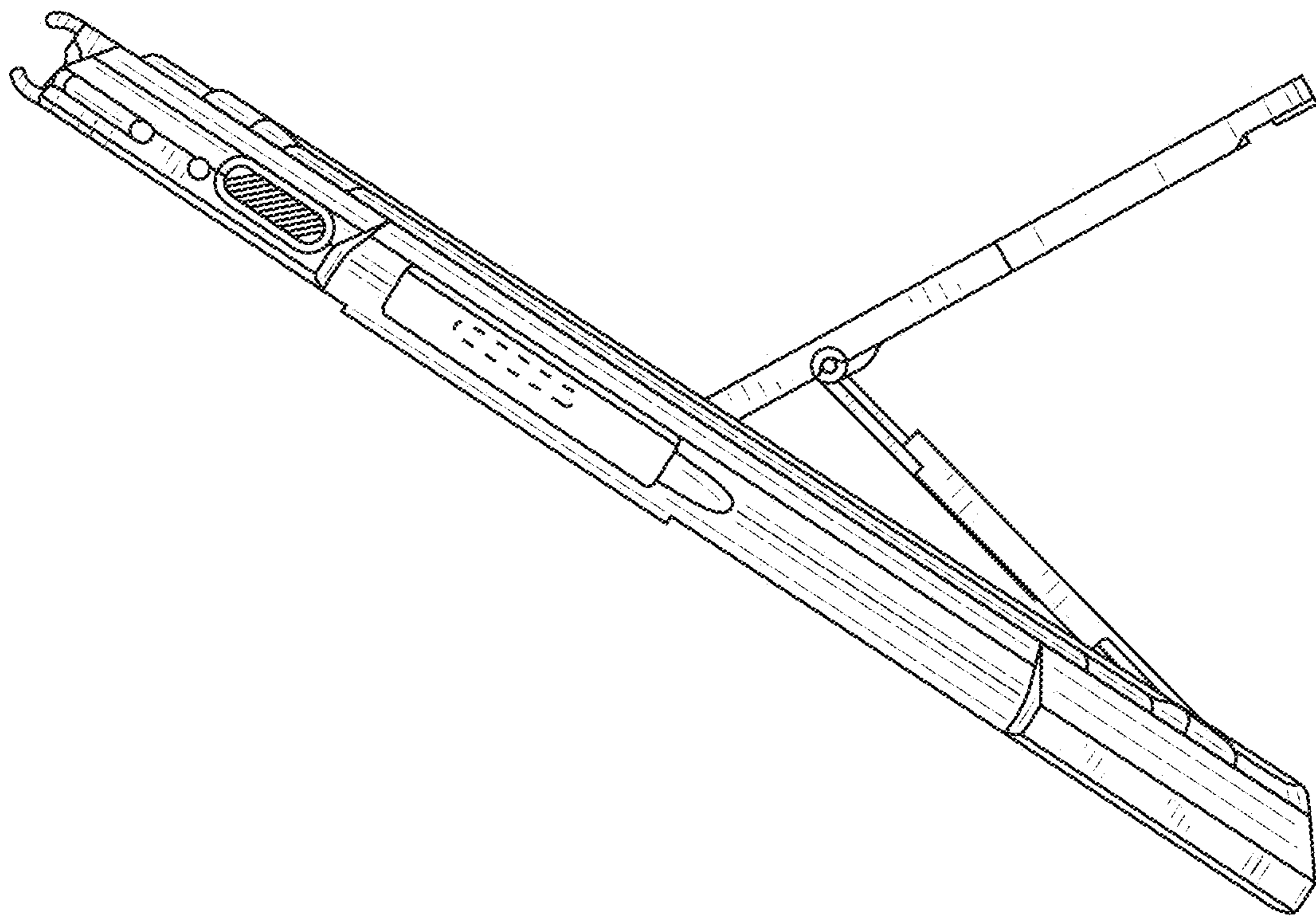


FIG. 6

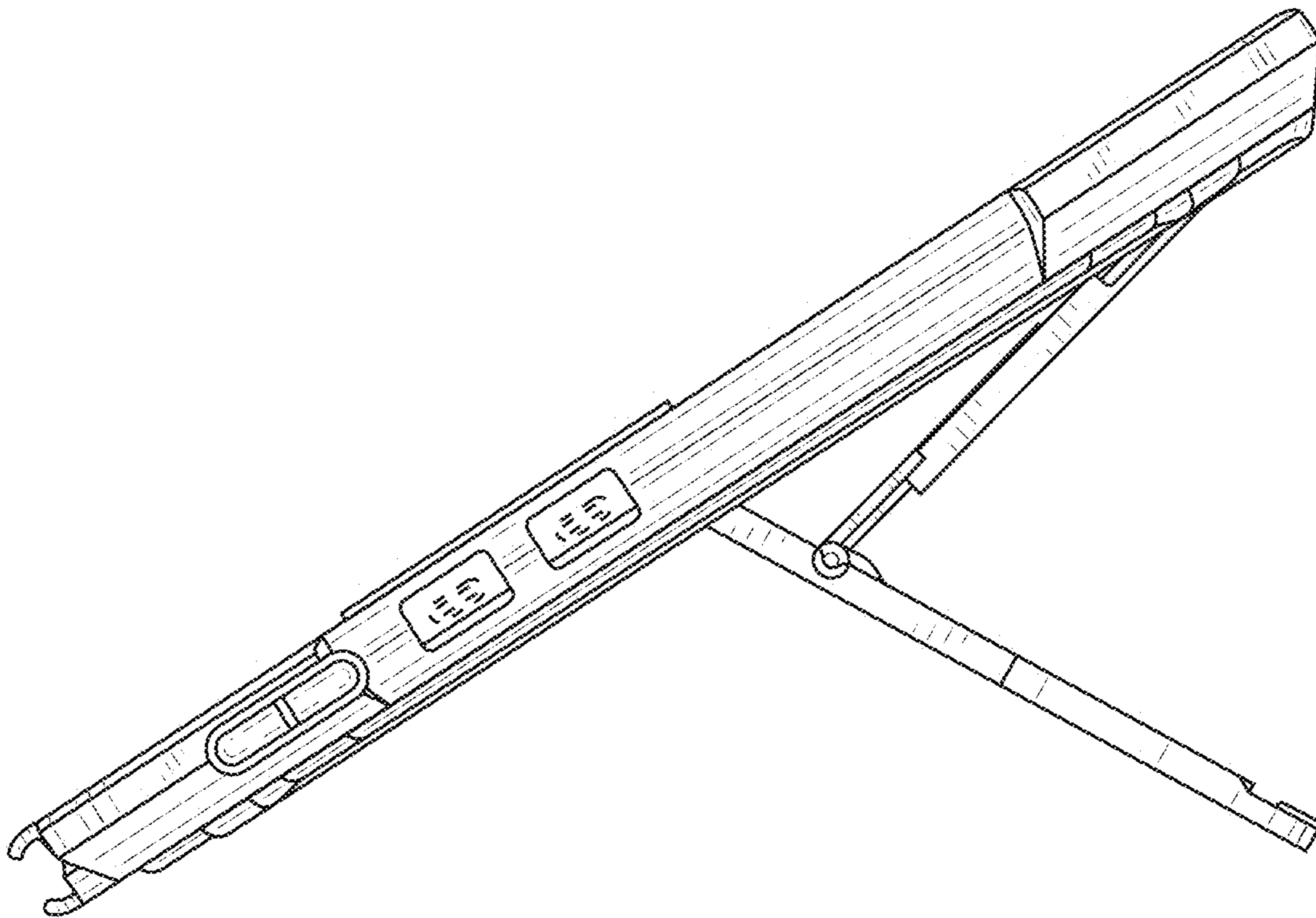


FIG. 7

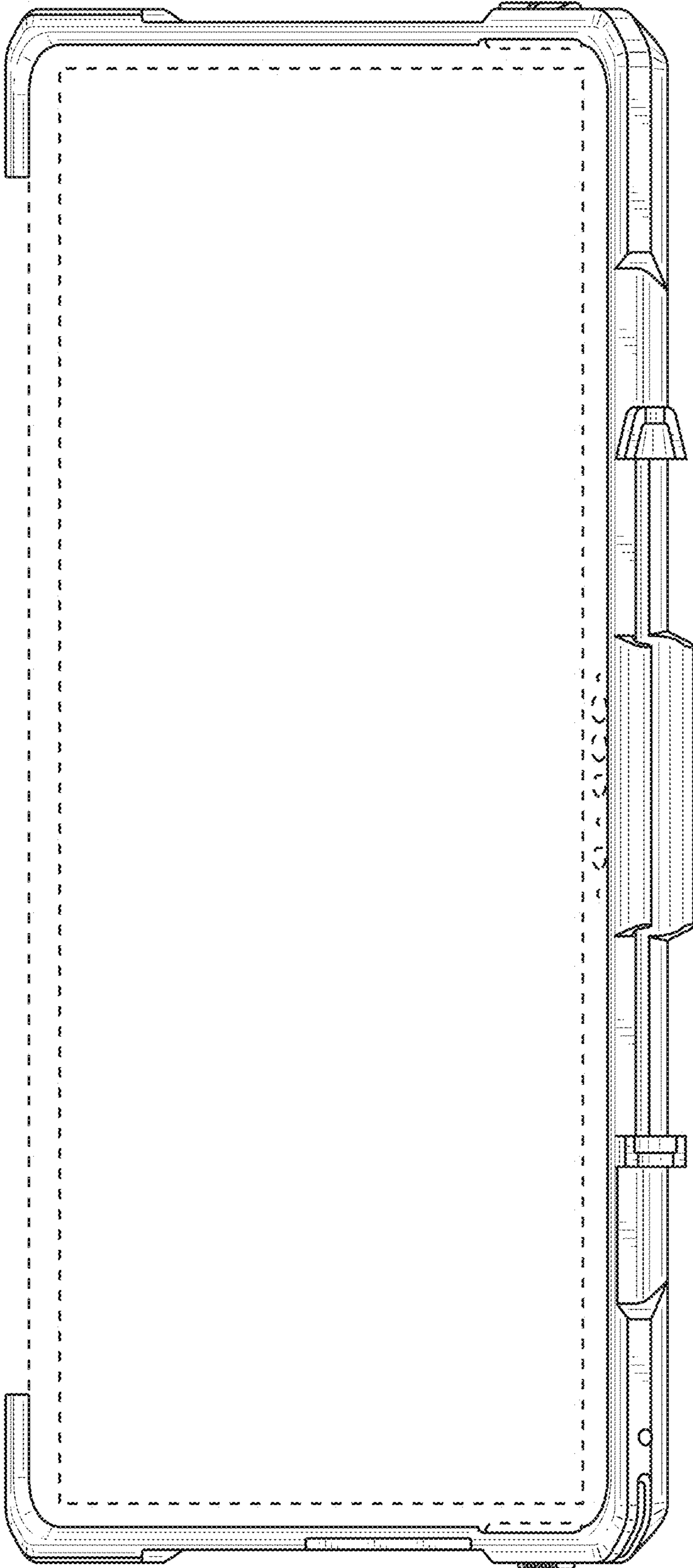


FIG. 8

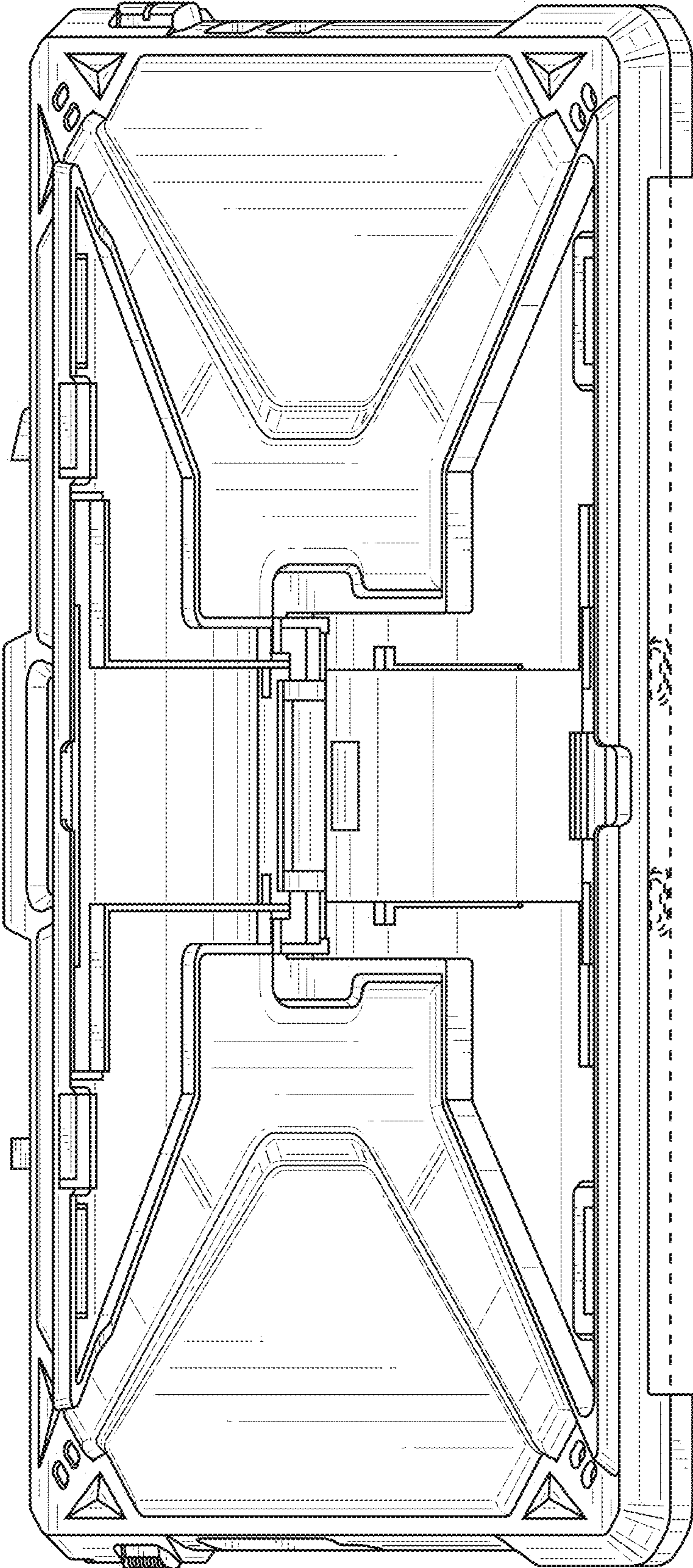


FIG. 9

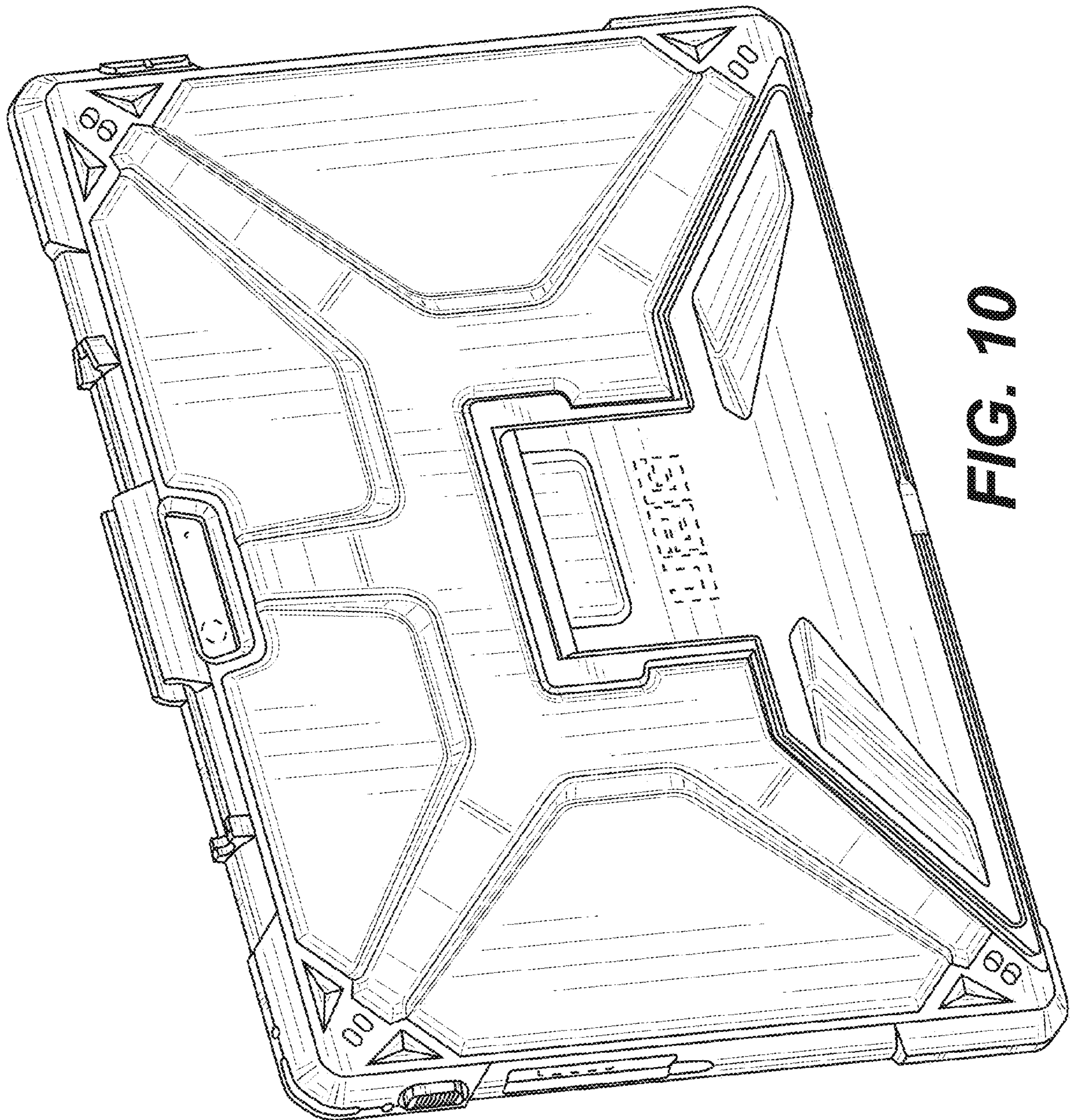


FIG. 10

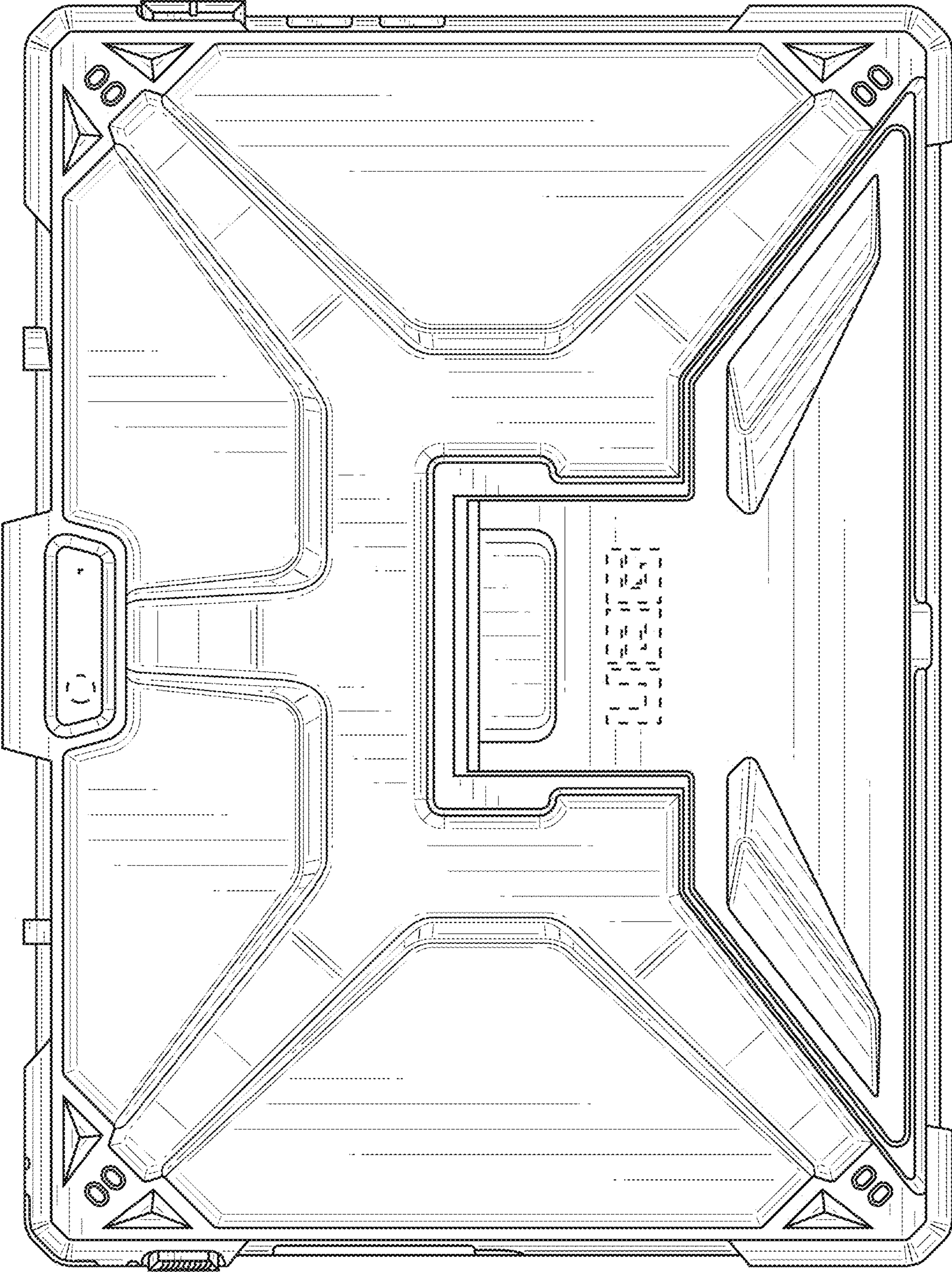


FIG. 11

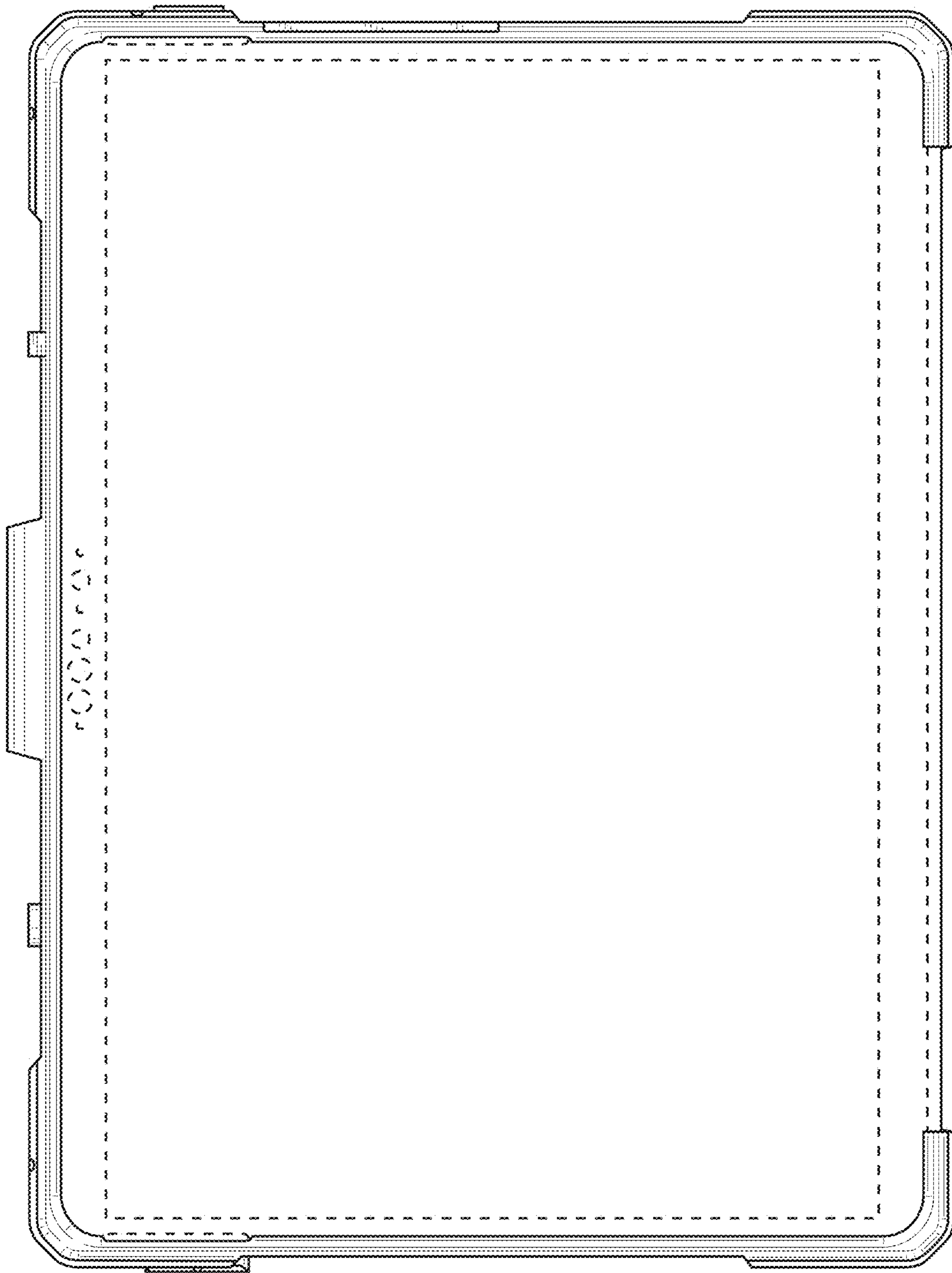


FIG. 12

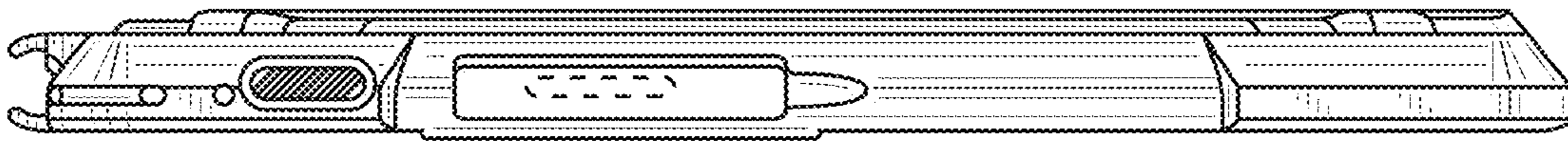


FIG. 13

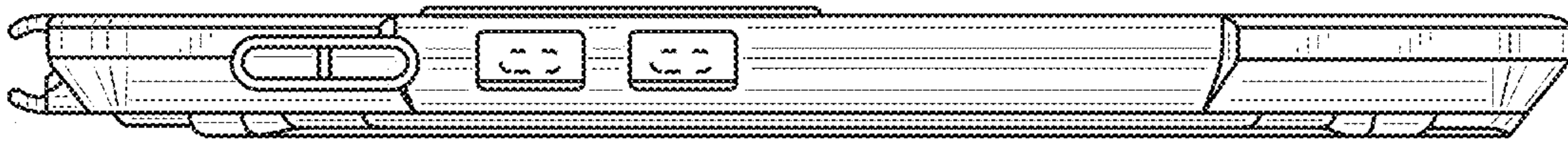


FIG. 14

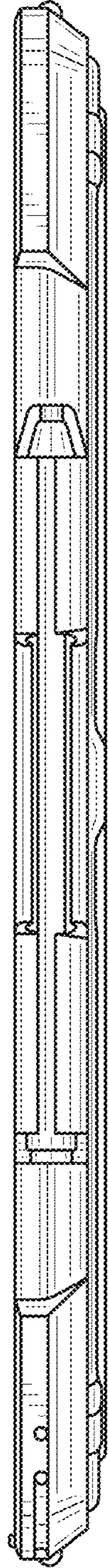


FIG. 15

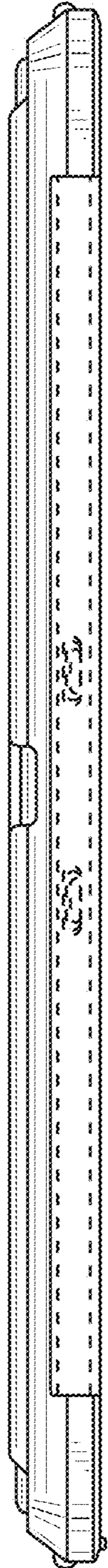


FIG. 16