



US00D930648S

(12) **United States Design Patent**
Hosoda

(10) **Patent No.:** **US D930,648 S**

(45) **Date of Patent:** **** Sep. 14, 2021**

(54) **HEAD-MOUNTABLE DISPLAY**

(71) Applicant: **SONY CORPORATION**, Tokyo (JP)

(72) Inventor: **Yasuhide Hosoda**, Kanagawa (JP)

(73) Assignee: **SONY CORPORATION**, Tokyo (JP)

(**) Term: **15 Years**

(21) Appl. No.: **29/703,108**

(22) Filed: **Aug. 23, 2019**

(30) **Foreign Application Priority Data**

Mar. 13, 2019 (JP) D2019-005273

(51) **LOC (13) Cl.** **14-02**

(52) **U.S. Cl.**
USPC **D14/372**

(58) **Field of Classification Search**
USPC D14/372, 496, 432, 371, 125, 126, 129,
D14/299; D16/300-342; 351/158, 153,
351/144; 345/7-9, 905; 455/344;
348/115, 53, 121, 739
CPC G02B 27/017; G02B 27/0158; G02B
27/0161; G02B 27/0181; G02B 27/0185;
G02B 27/0189

See application file for complete search history.

(56) **References Cited**

U.S. PATENT DOCUMENTS

D695,739 S 12/2013 Kumagai et al.
D698,380 S * 1/2014 Fletcher D16/202

D840,397 S * 2/2019 Li D14/372
D852,191 S * 6/2019 Chan D14/372
D860,992 S * 9/2019 Bristol D14/372
D865,762 S * 11/2019 Lau D14/372
D883,979 S * 5/2020 Chen D14/372
D883,980 S * 5/2020 Chen D14/372
D892,792 S * 8/2020 Miller D14/372
D893,478 S * 8/2020 Watanabe D14/372
D896,223 S * 9/2020 Amijo D14/372
D898,738 S * 10/2020 Denhez D14/372
D900,095 S * 10/2020 Wang D14/372
D900,099 S * 10/2020 Park D14/372

* cited by examiner

Primary Examiner — Austin Murphy

(74) *Attorney, Agent, or Firm* — Michael Best and Friedrich LLP

(57) **CLAIM**

The ornamental design for a head-mountable display, as shown.

DESCRIPTION

FIG. 1 is a front, top, right perspective view of a head-mountable display showing my new design;
FIG. 2 is a rear, top, right perspective view thereof;
FIG. 3 is a front elevational view thereof;
FIG. 4 is a rear elevational view thereof;
FIG. 5 is a left side elevational view thereof;
FIG. 6 is a right side elevational view thereof;
FIG. 7 is a top plan view thereof; and,
FIG. 8 is a bottom plan view thereof.

1 Claim, 8 Drawing Sheets

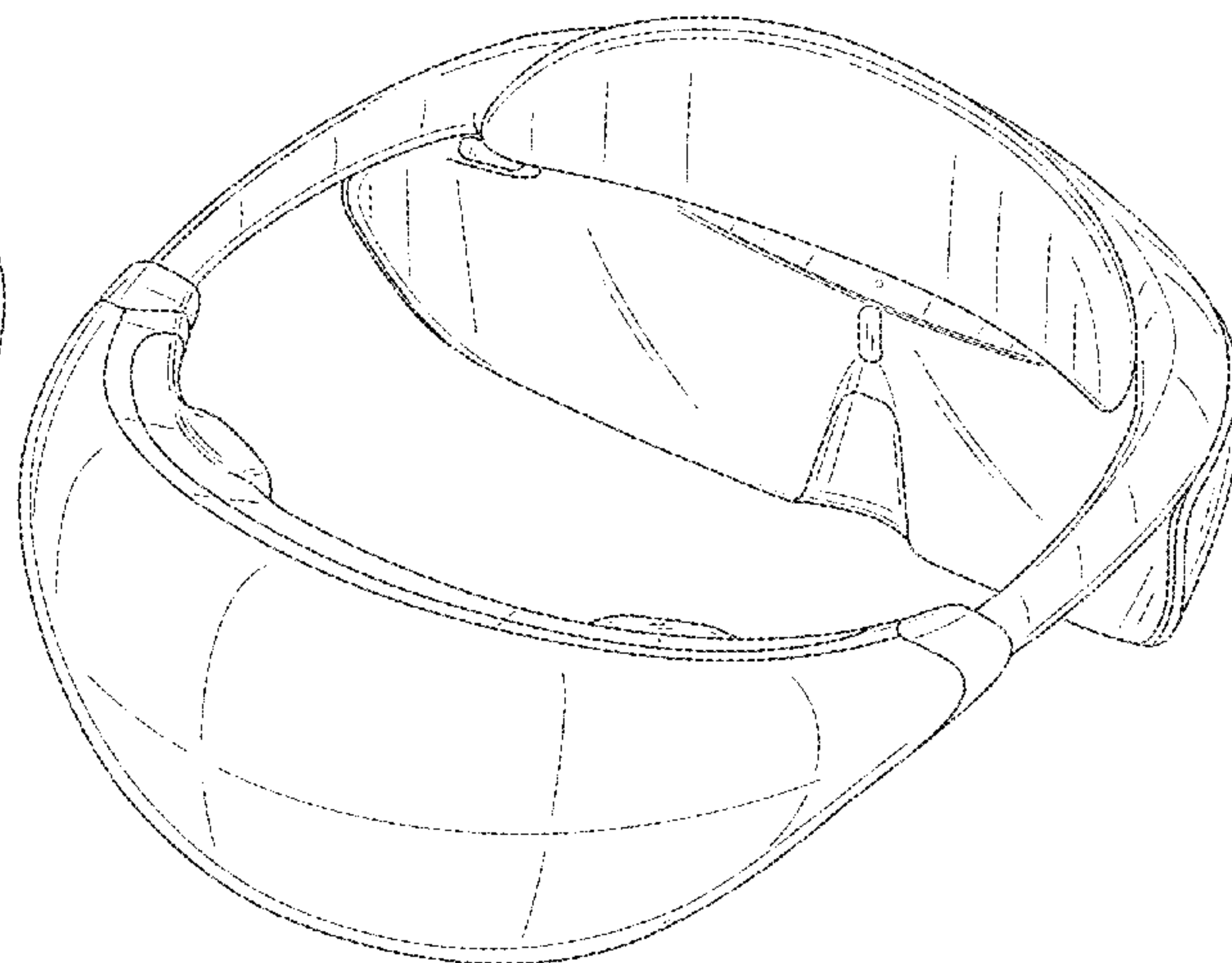
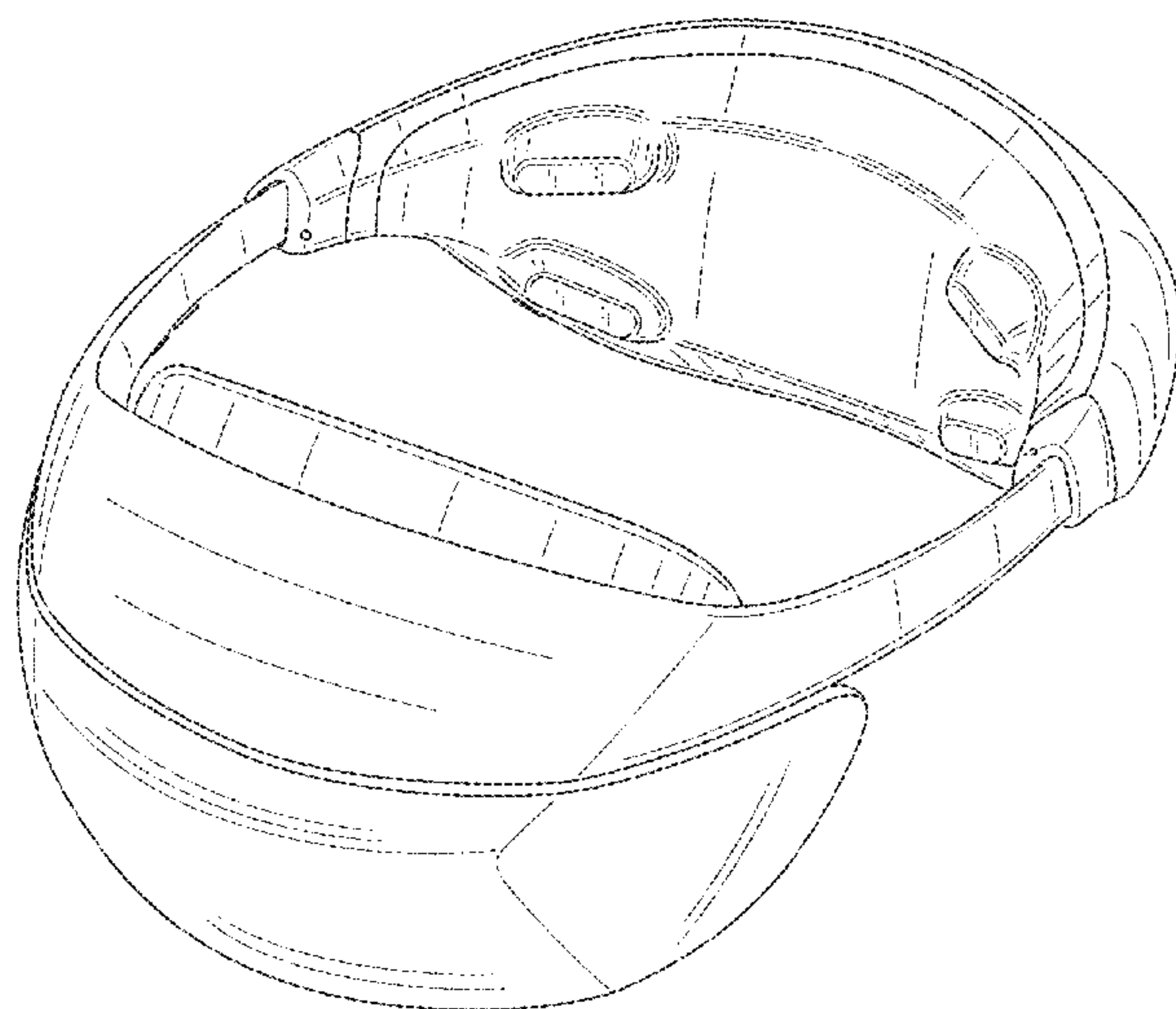


FIG. 1

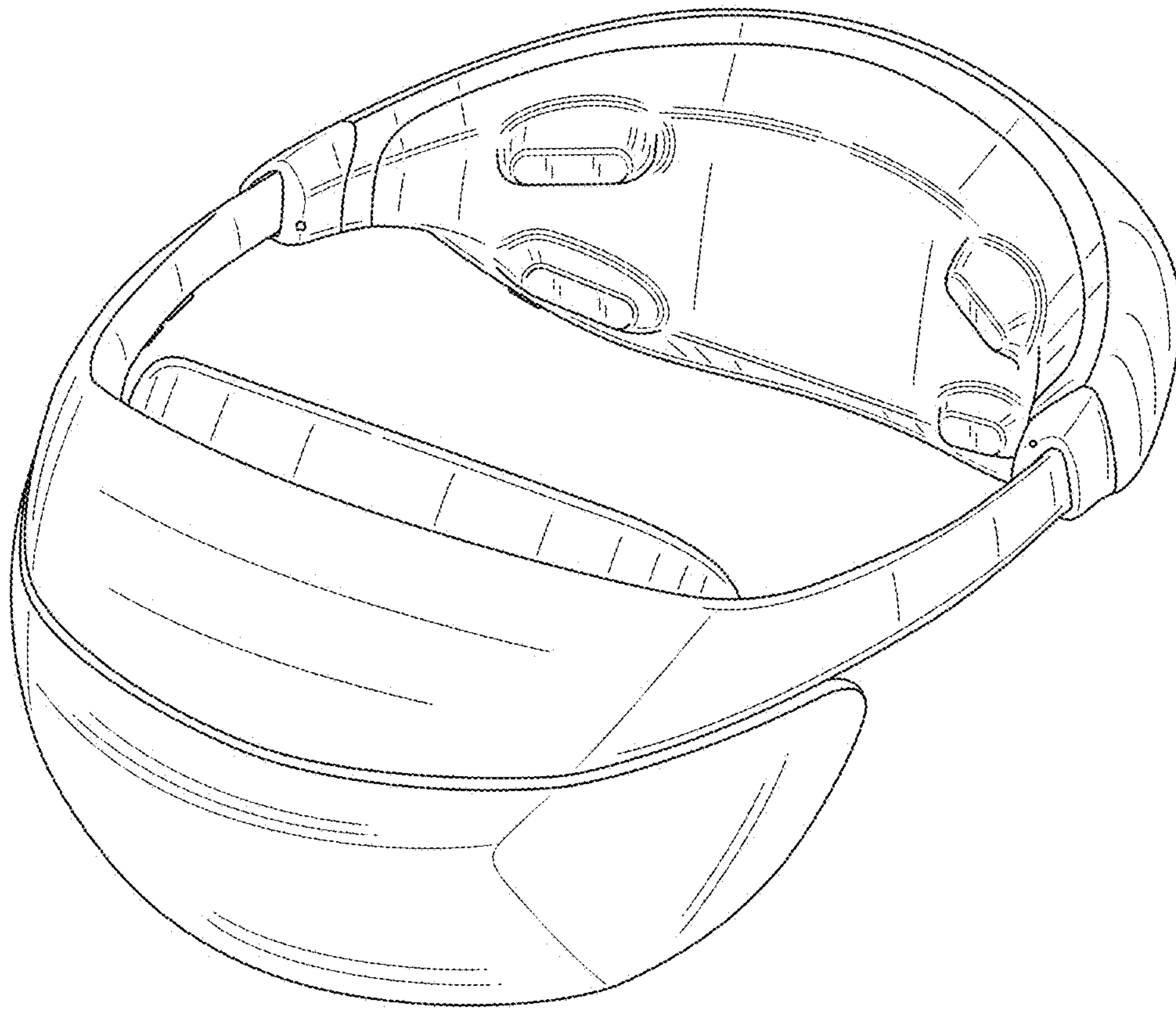


FIG. 2

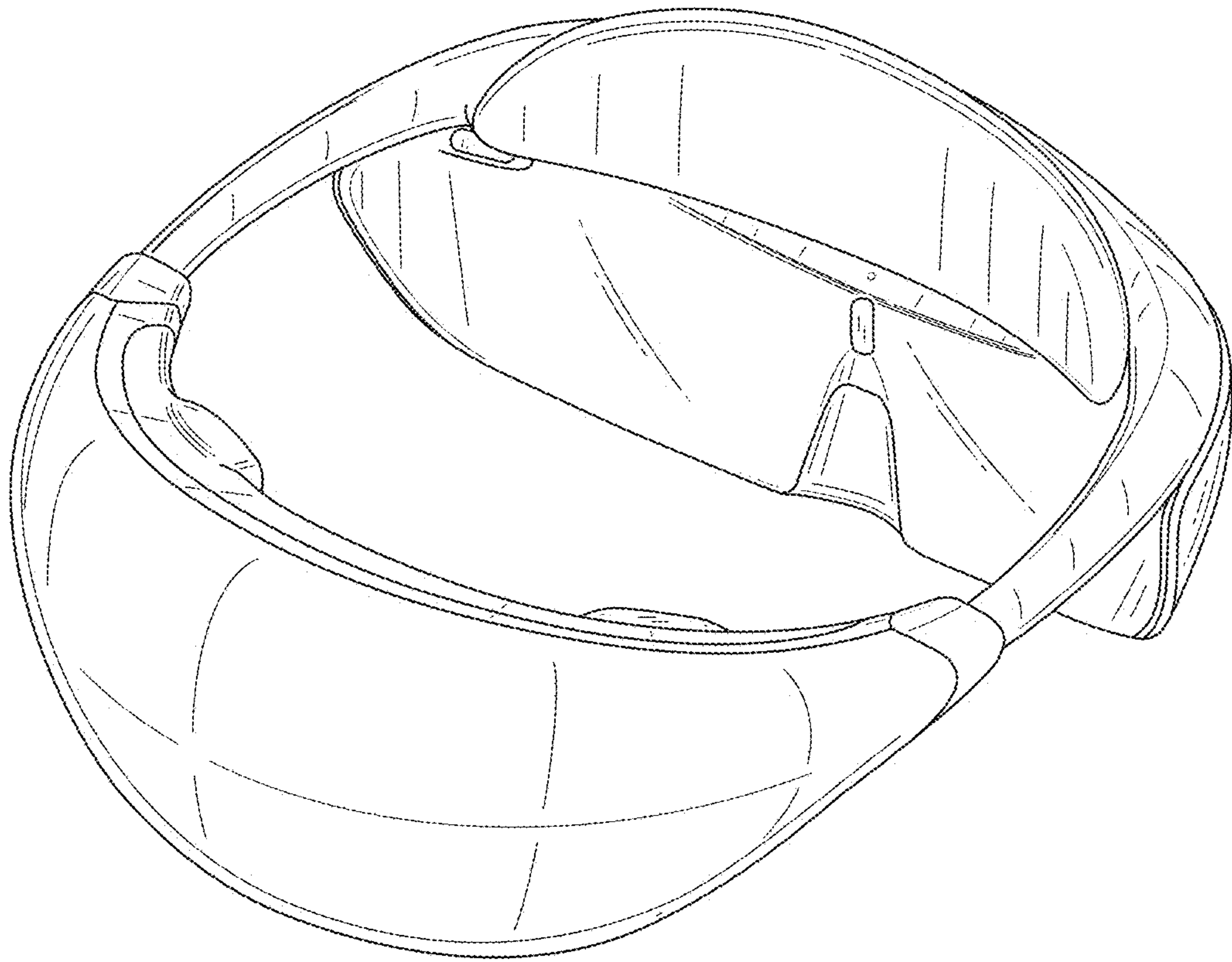


FIG. 3

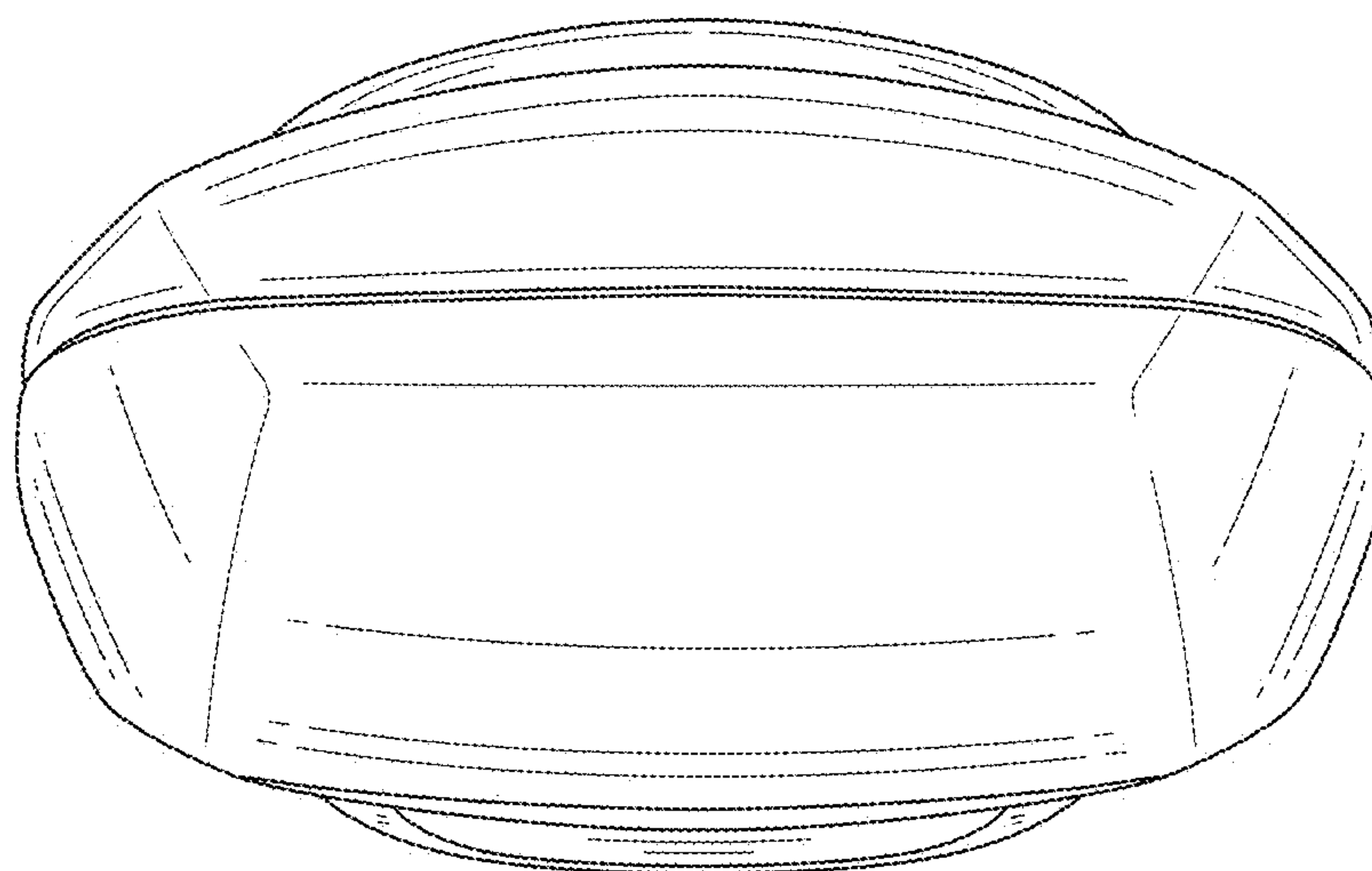


FIG. 4

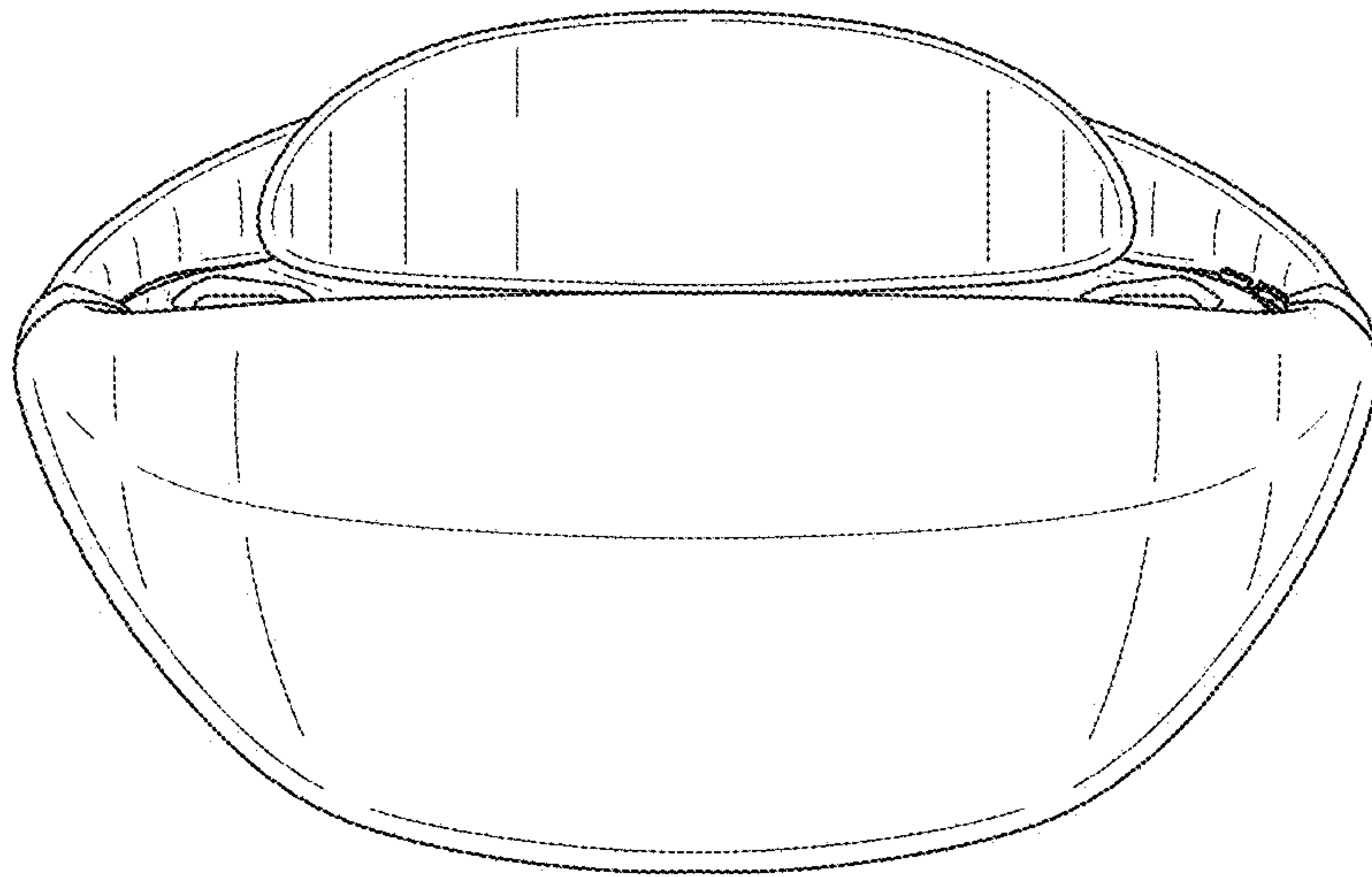


FIG. 5

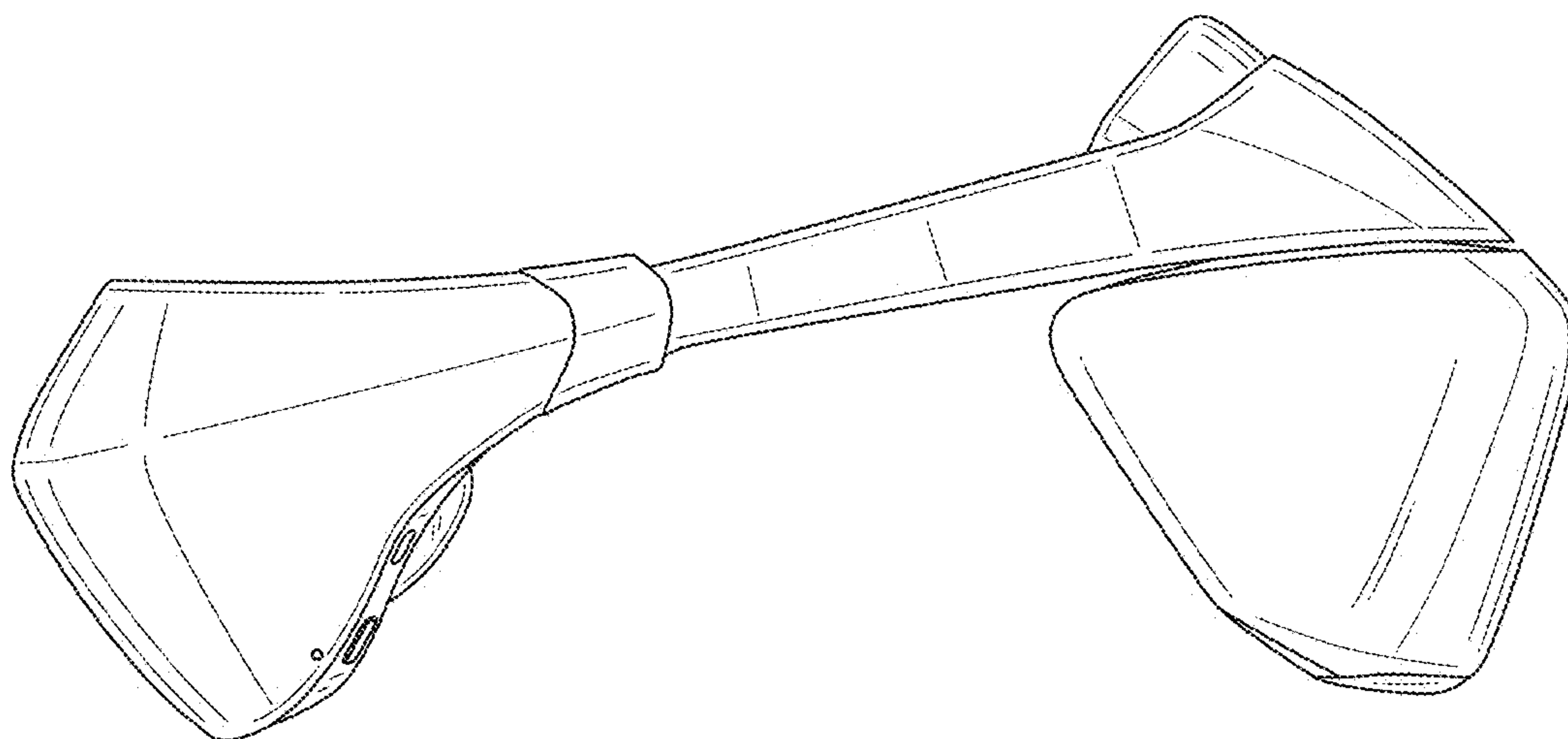


FIG. 6

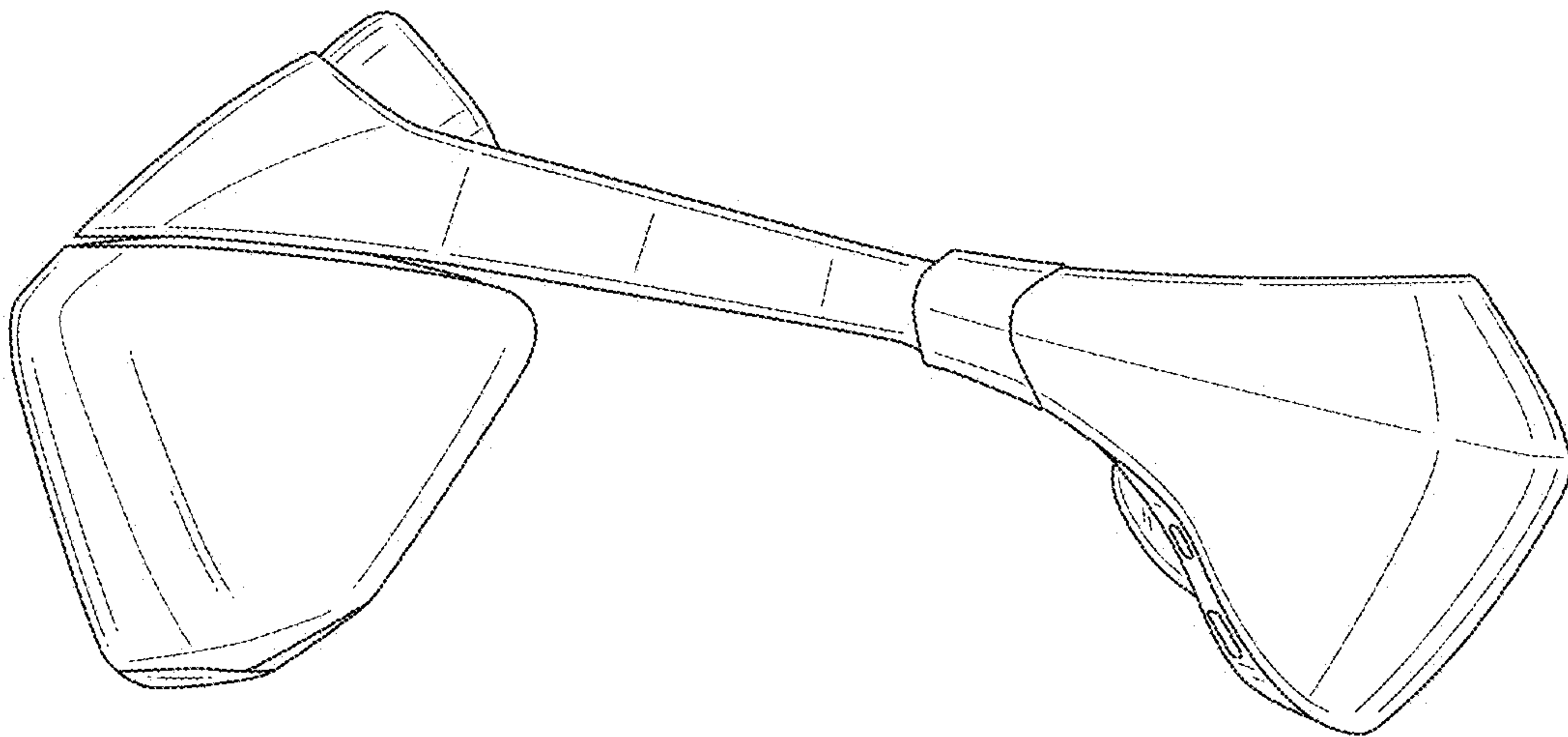


FIG. 7

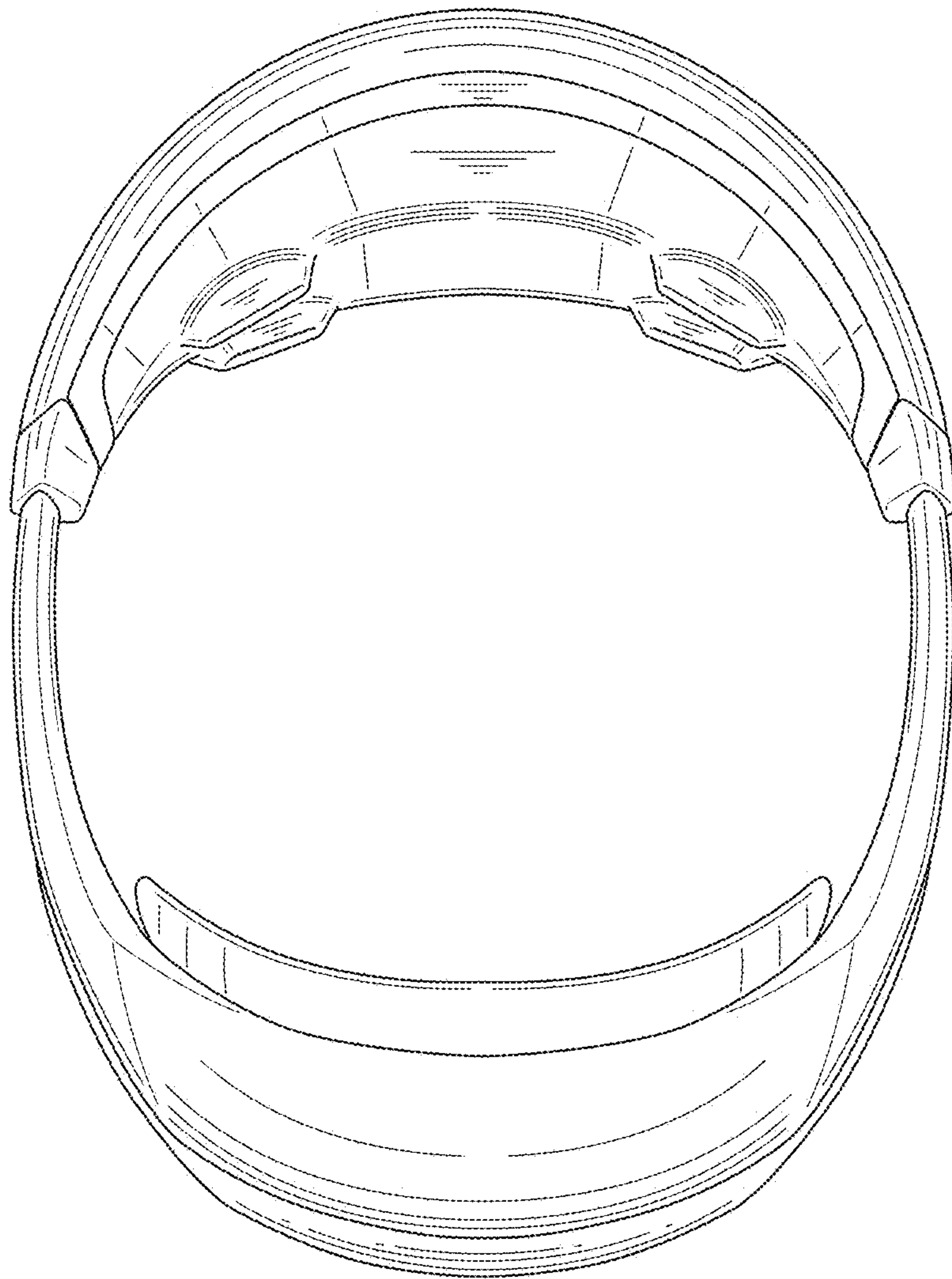


FIG. 8

