



(12) **United States Design Patent** (10) **Patent No.:** **US D930,645 S**
Piercey et al. (45) **Date of Patent:** **** Sep. 14, 2021**

(54) **SMART WEARABLE ELECTRONIC DEVICE**

(71) Applicant: **Fossil Group, Inc.**, Richardson, TX (US)

(72) Inventors: **Brad William Piercey**, Oak Point, TX (US); **Ryan Griffin Geraghty**, San Francisco, CA (US)

(73) Assignee: **Fossil Group, Inc.**, Richardson, TX (US)

(**) Term: **15 Years**

(21) Appl. No.: **29/660,559**

(22) Filed: **Aug. 21, 2018**

(51) **LOC (13) Cl.** **14-02**

(52) **U.S. Cl.**
USPC **D14/344**

(58) **Field of Classification Search**
USPC ... D14/138 R, 144, 341, 344, 358, 388, 218, D14/485-495; D10/30-39, 70, 98; D11/3, 4, 26, 93-94, 78.1, 79, 86; D24/167, 169, 186-187, 164
CPC A41D 1/002; A41D 19/0034; G06F 1/04; G06F 1/08; G06F 1/10; G06F 1/14; G06F 1/1626; G06F 1/1628; G06F 1/163; G06F 1/1635; G06F 1/3203; G06Q 20/10; G06Q 20/12; G06Q 20/108; G06Q 20/145; H04B 1/3833; H04B 1/385; H04B 1/3888; H04M 1/02; H04M 1/03; H04M 1/04; H04M 1/05; H04M 1/667; H04M 1/6058; Y02B 60/1217
See application file for complete search history.

(56) **References Cited**

U.S. PATENT DOCUMENTS

D285,908 S * 9/1986 Maron D10/30
D338,161 S * 8/1993 Kizaki D10/126
D379,597 S * 6/1997 Alvarez Gago D10/39
D447,705 S * 9/2001 Scheufele D10/39

D502,411 S * 3/2005 Sabarthes D10/30
D514,968 S * 2/2006 Tahira D10/102
D525,148 S * 7/2006 Gruosi D10/30
D573,041 S * 7/2008 Lulic D10/39
D648,639 S * 11/2011 Mille D10/39
D666,933 S * 9/2012 Hoffman D10/102
D770,306 S * 11/2016 Voirin D10/30
D805,926 S * 12/2017 Im D10/57
D824,033 S * 7/2018 Masuyama D24/167
D836,466 S * 12/2018 Shi D10/32
D838,716 S * 1/2019 Teng D14/344

(Continued)

OTHER PUBLICATIONS

Macy's, Q Gen 2 Marshal Stainless Steel Bracelet Touchscreen Smart Watch 45 mm FTW2109, Prior to Aug. 2, 2018, 5 pages, <https://www.macys.com/shop/product/fossil-q-gen-2-marshall-stainless-steel-bracelet-touchscreen-smartwatch-45mm-ftw2109?ID=2921866>, USA.

Primary Examiner — Sheryl Lane

Assistant Examiner — Calvin E Vansant

(74) *Attorney, Agent, or Firm* — Rutan & Tucker, LLP

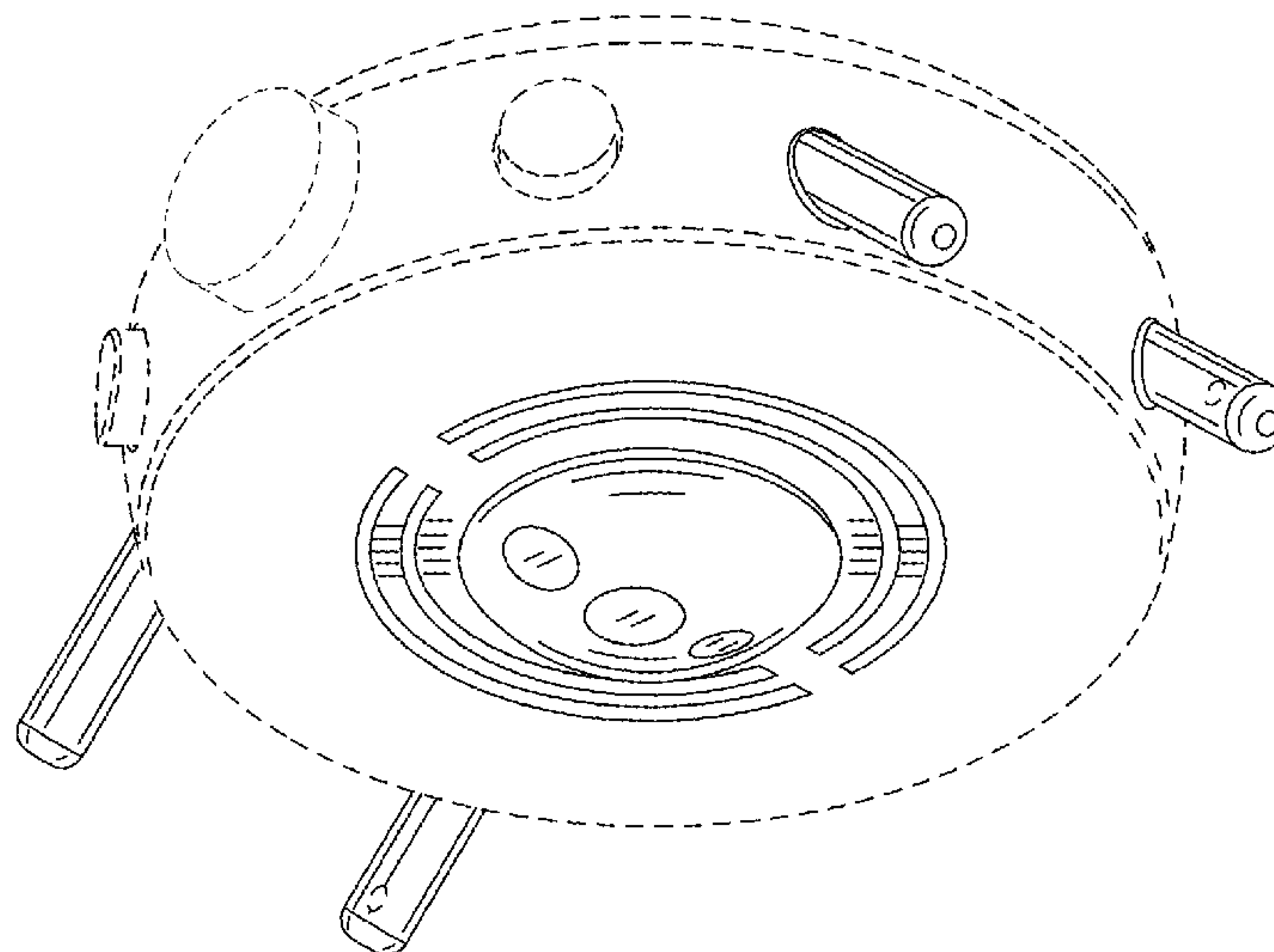
(57) **CLAIM**

The ornamental design for a smart wearable electronic device, as shown and described.

DESCRIPTION

FIG. 1 is a top perspective view of a smart wearable electronic device;
FIG. 2 is a bottom up perspective view thereof;
FIG. 3 is a bottom up view thereof;
FIG. 4 is a side view thereof;
FIG. 5 is a side view thereof;
FIG. 6 is a rear view thereof;
FIG. 7 is a front view of thereof; and,
FIG. 8 is a top down view thereof.
The broken lines shown in the drawings depict portions of the smart wearable electronic device and form no part of the claim.

1 Claim, 6 Drawing Sheets



(56)

References Cited

U.S. PATENT DOCUMENTS

D854,946 S * 7/2019 Nigro D10/39
D865,543 S * 11/2019 Lumme D10/70
10,613,581 B2* 4/2020 Hiraide G06F 1/1637
2013/0325394 A1 12/2013 Yuen et al.
2014/0142403 A1 5/2014 Brumback et al.
2016/0246453 A1 8/2016 Vonshak et al.

* cited by examiner

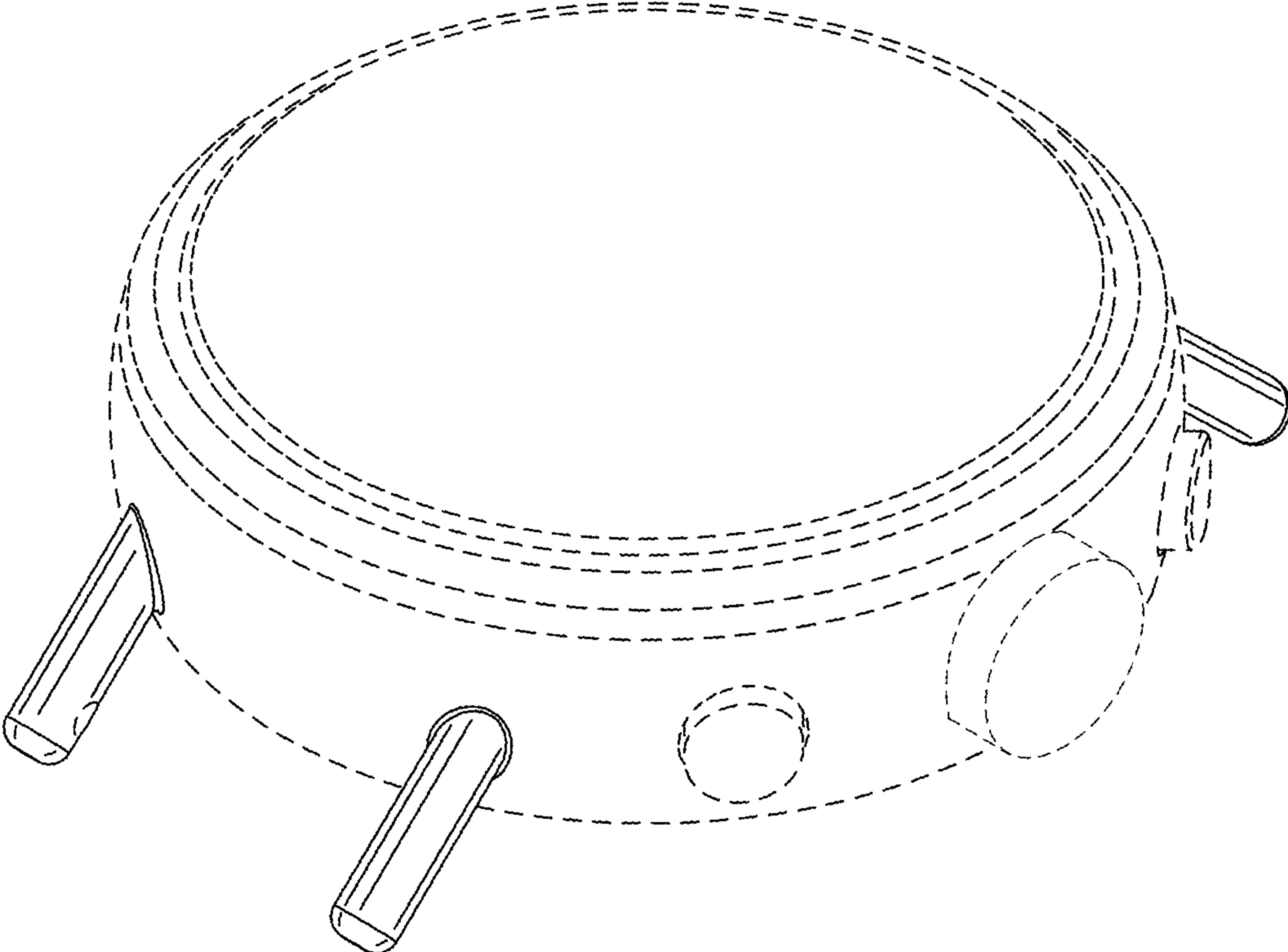


FIG. 1

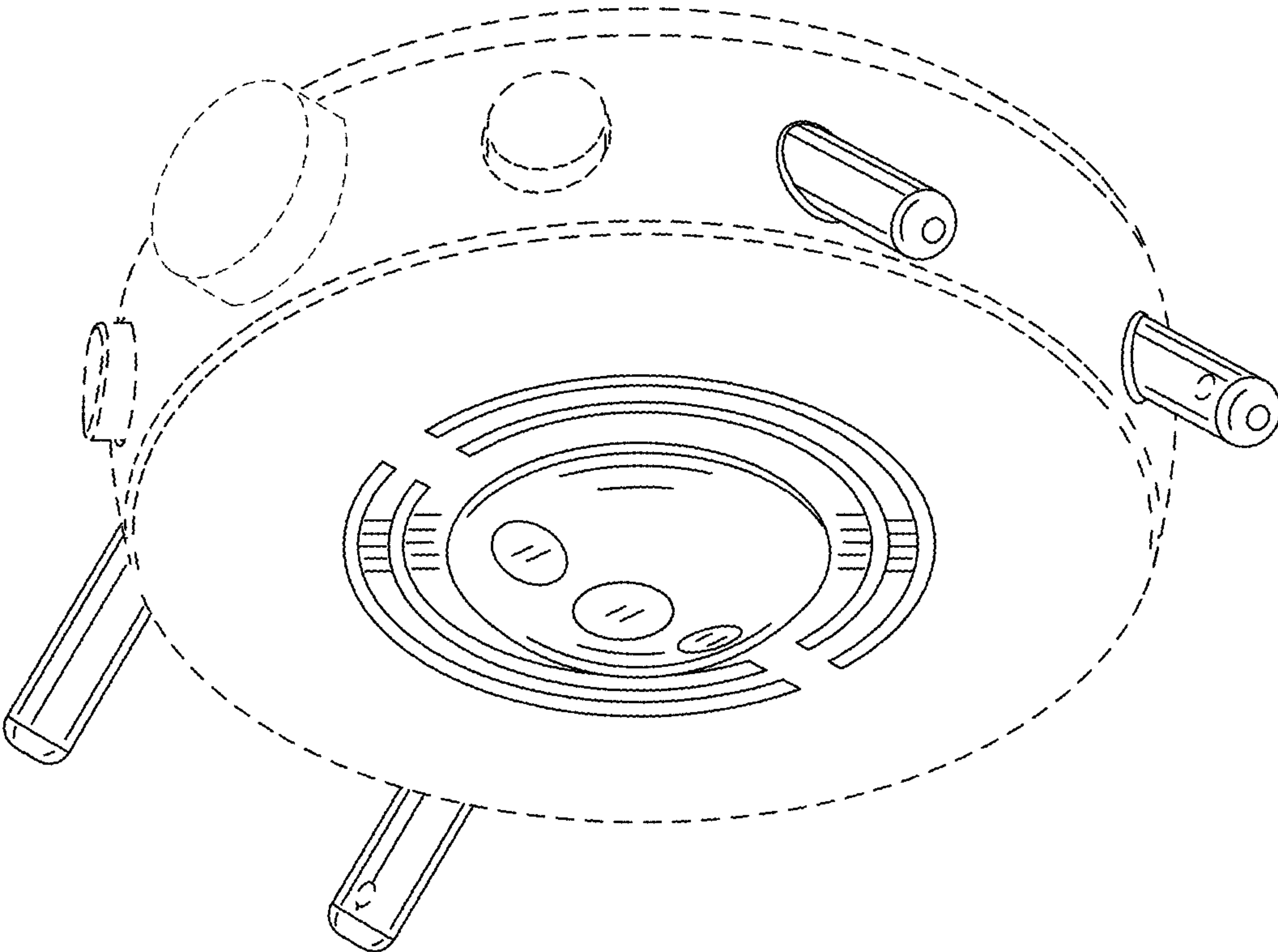


FIG. 2

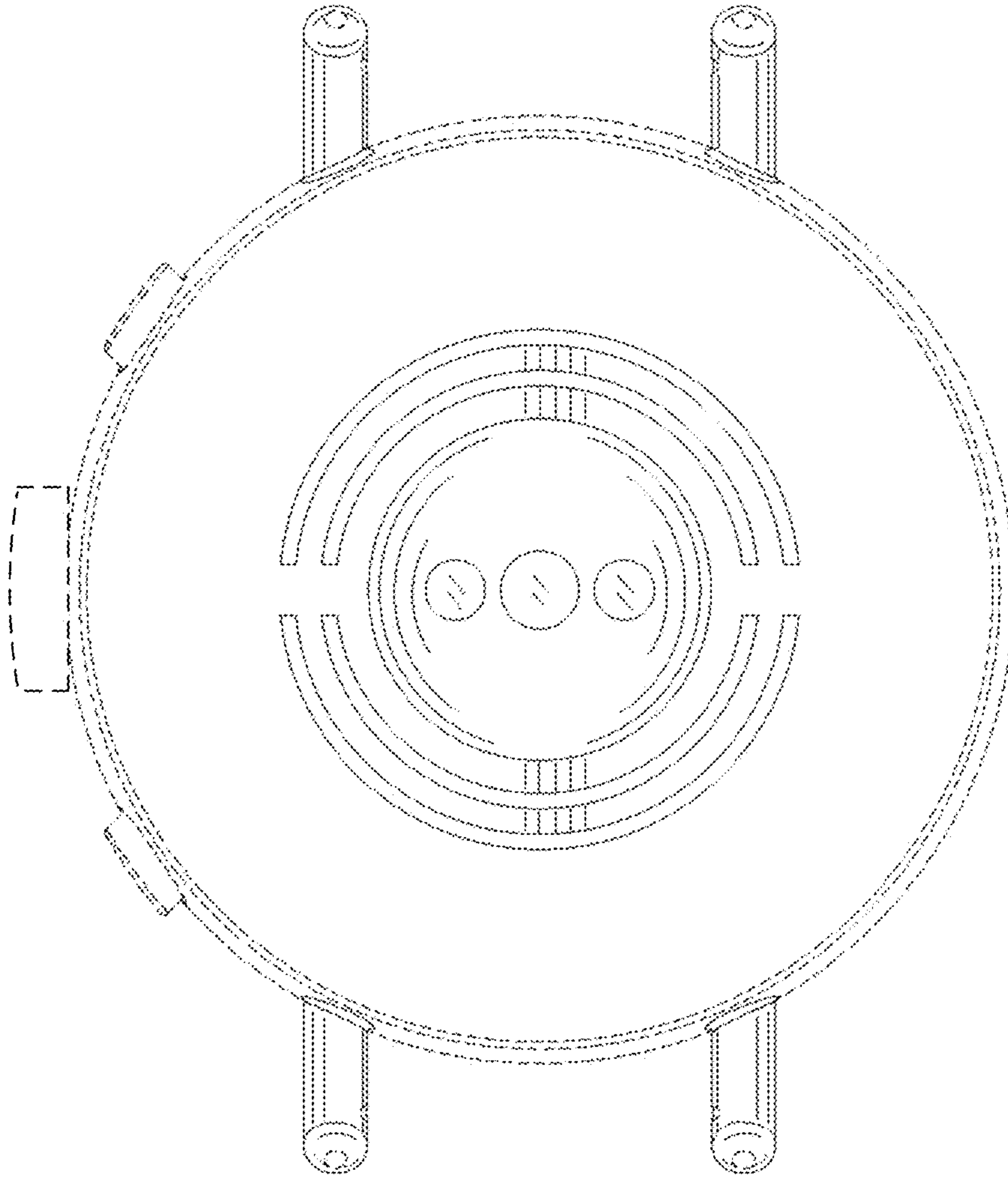


FIG. 3

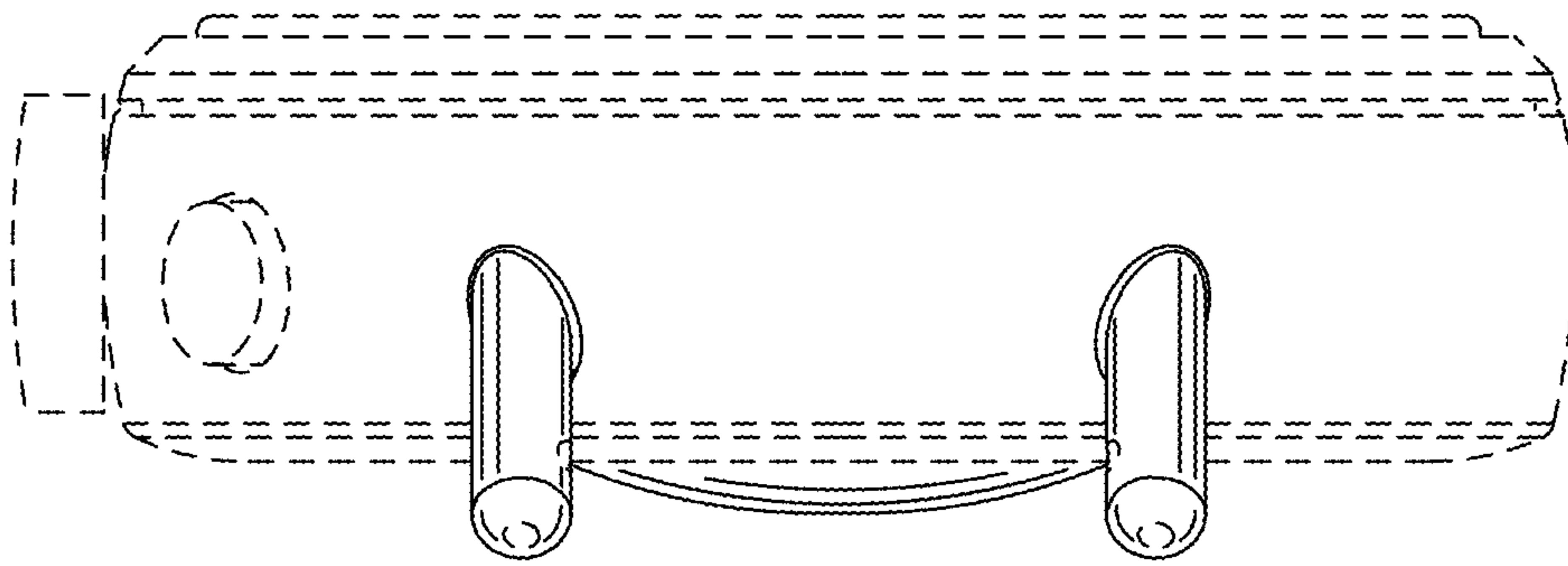


FIG. 4

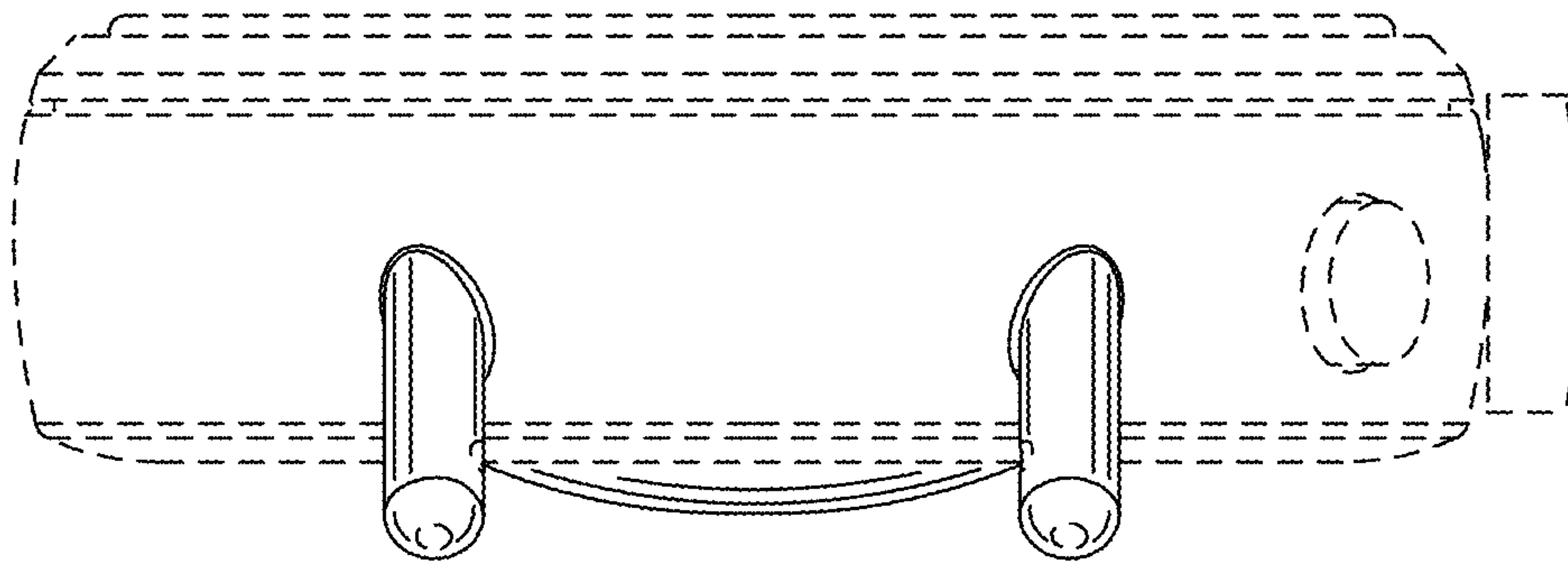


FIG. 5

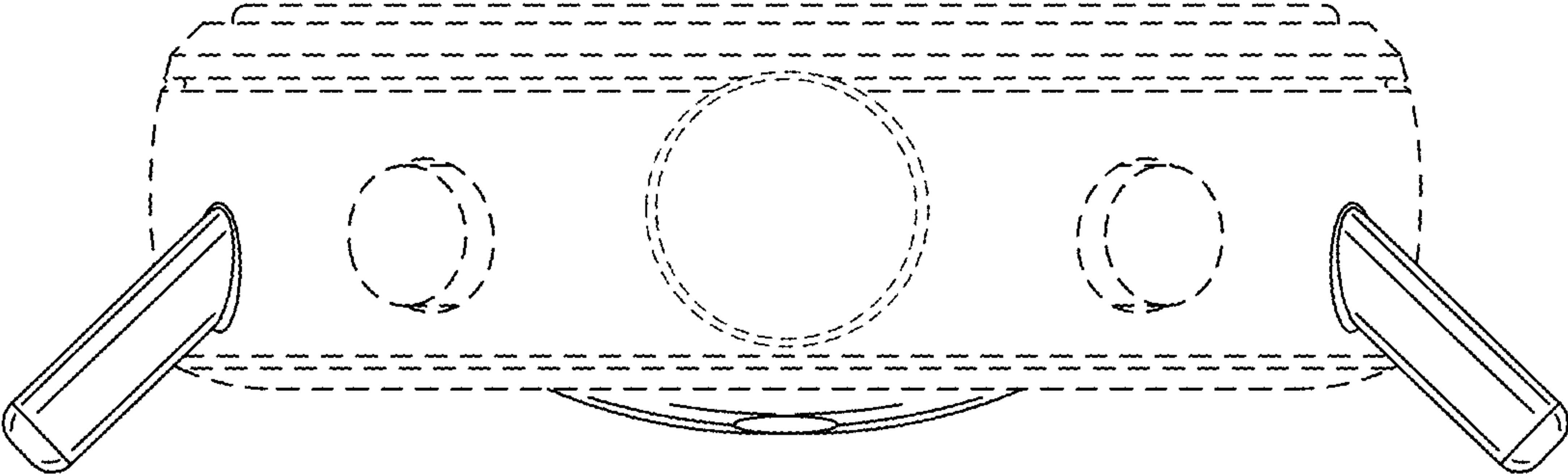


FIG. 6

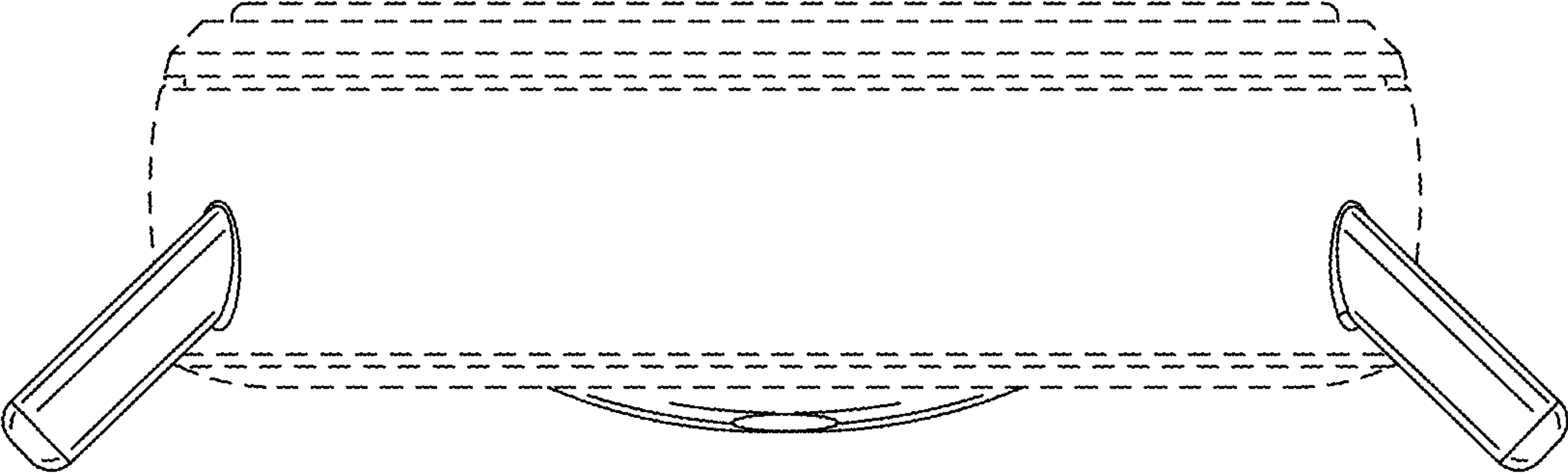


FIG. 7

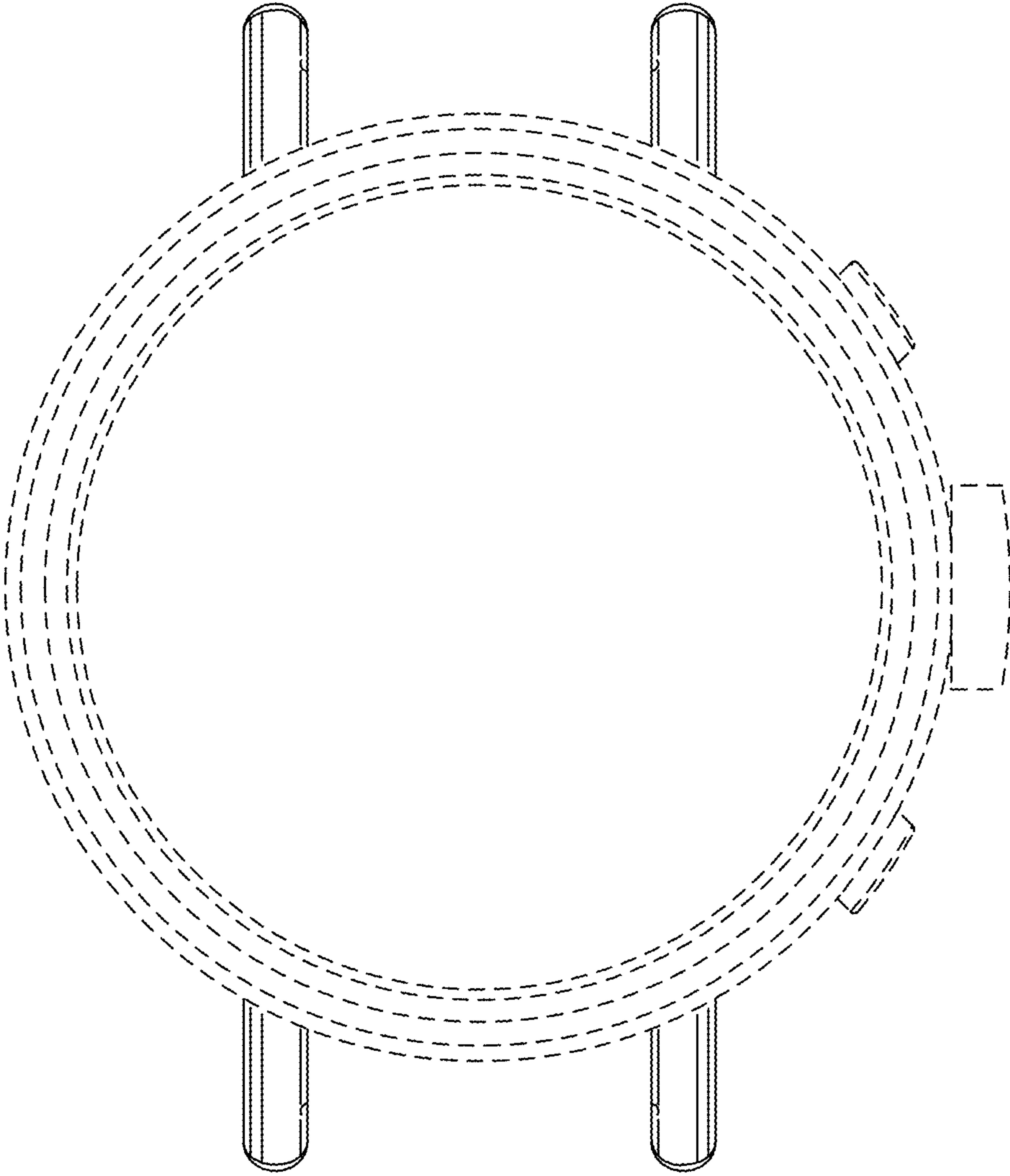


FIG. 8