



US00D930643S

(12) **United States Design Patent** (10) **Patent No.:** **US D930,643 S**  
**Kang** (45) **Date of Patent:** **\*\* Sep. 14, 2021**

(54) **COMPUTER TERMINAL**  
(71) Applicant: **LG Electronics Inc.**, Seoul (KR)  
(72) Inventor: **Seungmo Kang**, Seoul (KR)  
(73) Assignee: **LG ELECTRONICS INC.**, Seoul (KR)  
(\*\*) Term: **15 Years**  
(21) Appl. No.: **35/508,910**  
(22) Filed: **Sep. 25, 2019**

(80) **Hague Agreement Data**  
Int. Filing Date: **Sep. 25, 2019**  
Int. Reg. No.: **DM/206293**  
Int. Reg. Date: **Sep. 25, 2019**  
Int. Reg. Pub. Date: **Mar. 27, 2020**

(30) **Foreign Application Priority Data**  
Mar. 26, 2019 (KR) ..... 30-2019-0013553  
(51) **LOC (13) Cl.** ..... **14-02**  
(52) **U.S. Cl.**  
USPC ..... **D14/336**  
(58) **Field of Classification Search**  
USPC ..... D14/302-307, 900-902; D20/10;  
D21/325, 332, 369, 370  
CPC ..... G06Q 20/18; G06Q 20/10; G06Q 20/123;  
G06Q 20/20; G06Q 30/02; G06Q 30/06;  
A47F 9/047  
See application file for complete search history.

(56) **References Cited**  
U.S. PATENT DOCUMENTS  
7,172,114 B2 \* 2/2007 Fletcher ..... G06F 1/1609  
235/379  
D563,405 S \* 3/2008 Taniho ..... D14/336  
7,349,201 B2 \* 3/2008 Tatsukami ..... G06F 1/16  
361/679.55

D594,453 S \* 6/2009 Miyawaki ..... D14/341  
D635,109 S \* 3/2011 Fantaay ..... D14/129  
D640,254 S \* 6/2011 Pepper ..... D14/336  
D654,450 S \* 2/2012 McManigal ..... D14/129  
D697,506 S \* 1/2014 Bianco ..... D14/336  
D697,910 S \* 1/2014 Bianco ..... D14/336  
D712,398 S \* 9/2014 Sohn ..... D14/336  
D744,479 S \* 12/2015 Haller ..... D14/336  
D745,512 S \* 12/2015 Lee ..... D14/341  
D775,123 S \* 12/2016 Guimaraes ..... D14/336  
D778,277 S \* 2/2017 Haller ..... D14/336  
D791,763 S \* 7/2017 Akana ..... D14/336  
D832,250 S \* 10/2018 Wong ..... D14/336  
D840,391 S \* 2/2019 Son ..... D14/336  
D860,319 S \* 9/2019 Beruto ..... D20/10  
D864,137 S \* 10/2019 Chang ..... D14/129  
D883,373 S \* 5/2020 Sorio ..... D18/4.4

(Continued)

*Primary Examiner* — Bao-Yen T Nguyen  
(74) *Attorney, Agent, or Firm* — Birch, Stewart, Kolasch & Birch, LLP

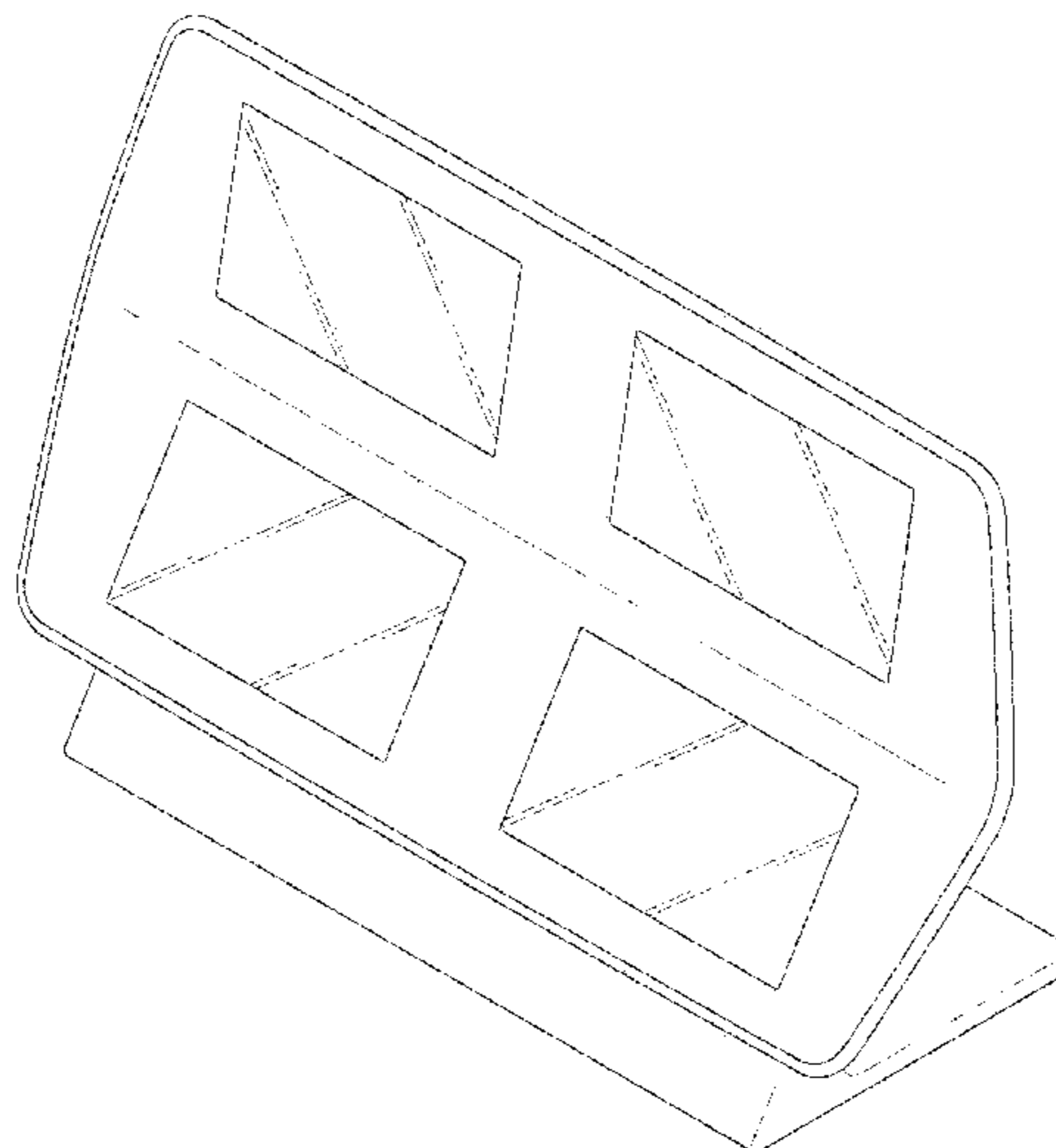
(57) **CLAIM**

The ornamental design for a computer terminal, as shown and described.

**DESCRIPTION**

1. Computer terminal  
**1.1** : Perspective  
**1.2** : Front  
**1.3** : Back  
**1.4** : Left  
**1.5** : Top  
**1.6** : Bottom  
Reproduction **1.1** is a perspective view of the computer terminal; reproduction **1.2** is a front view thereof; reproduction **1.3** is a back view thereof; reproduction **1.4** is a left view thereof where the right view is a mirror image; reproduction **1.5** is a top view thereof; reproduction **1.6** is a bottom view thereof; this design is for a computer terminal with four displays on the front.

**1 Claim, 6 Drawing Sheets**



(56)

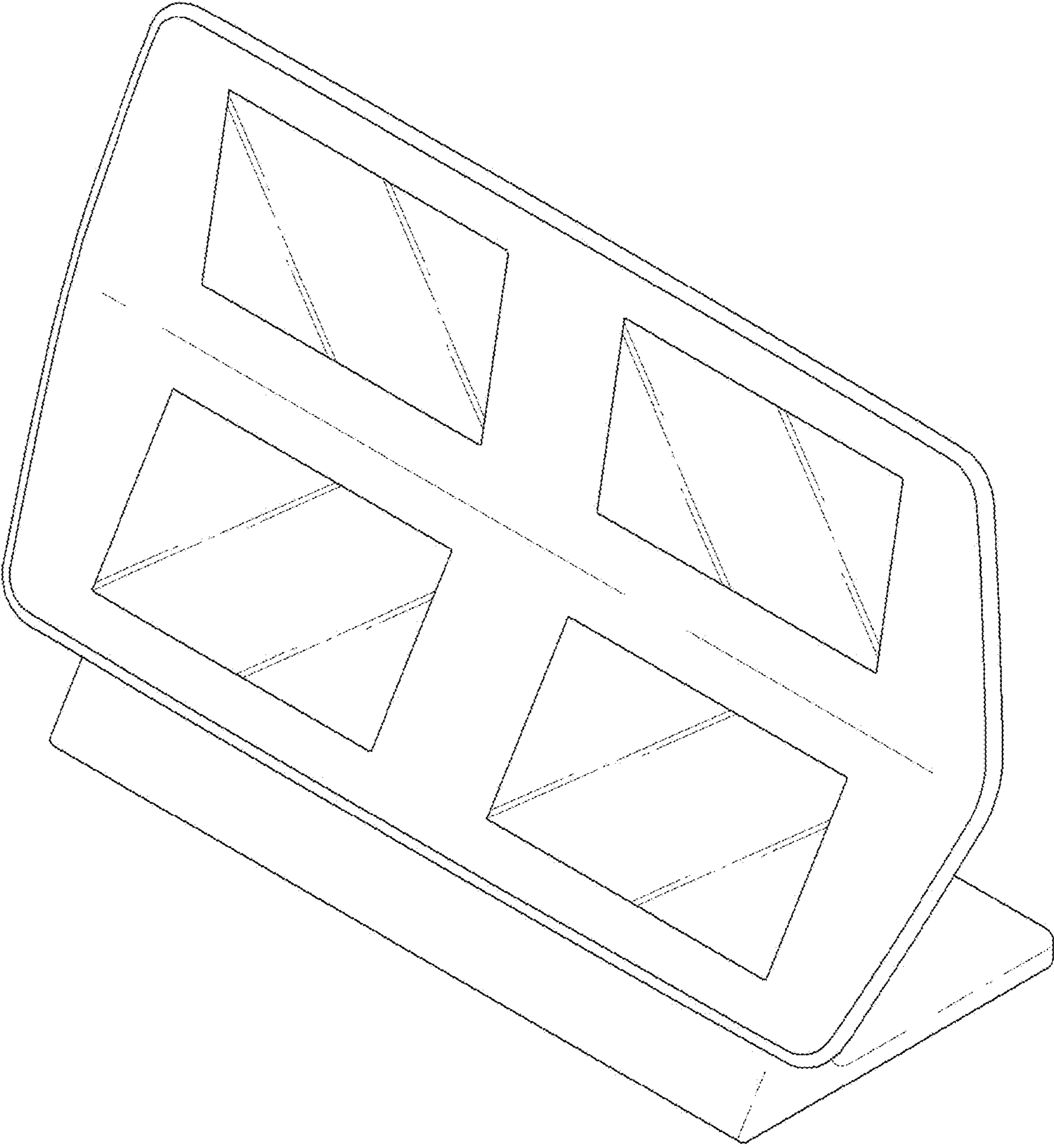
**References Cited**

U.S. PATENT DOCUMENTS

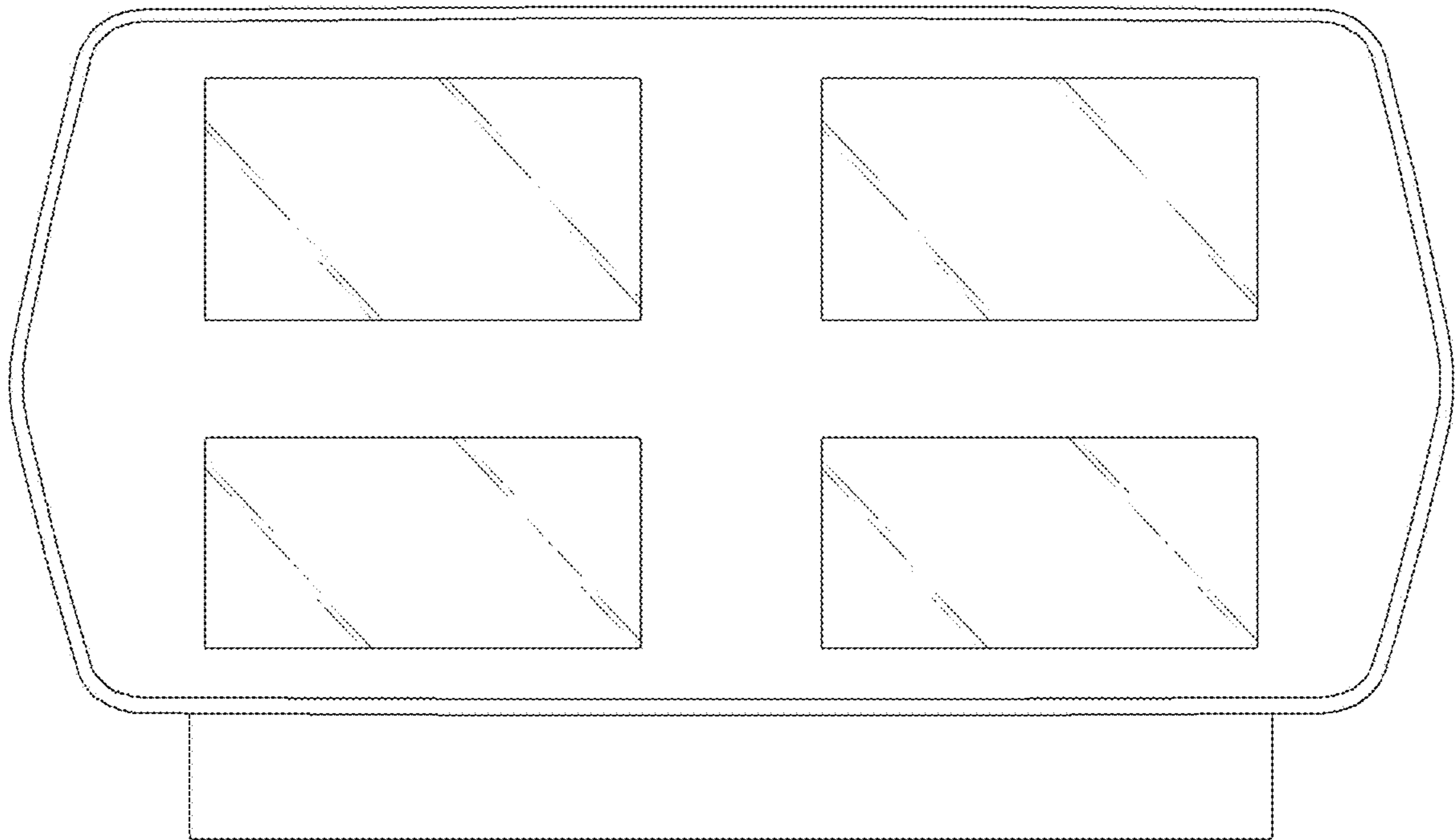
D904,328 S \* 12/2020 Margis ..... B64D 11/00154  
D14/126  
D908,652 S \* 1/2021 Kennedy ..... D14/126  
2013/0262248 A1\* 10/2013 Kim ..... G06F 1/1632  
705/17

\* cited by examiner

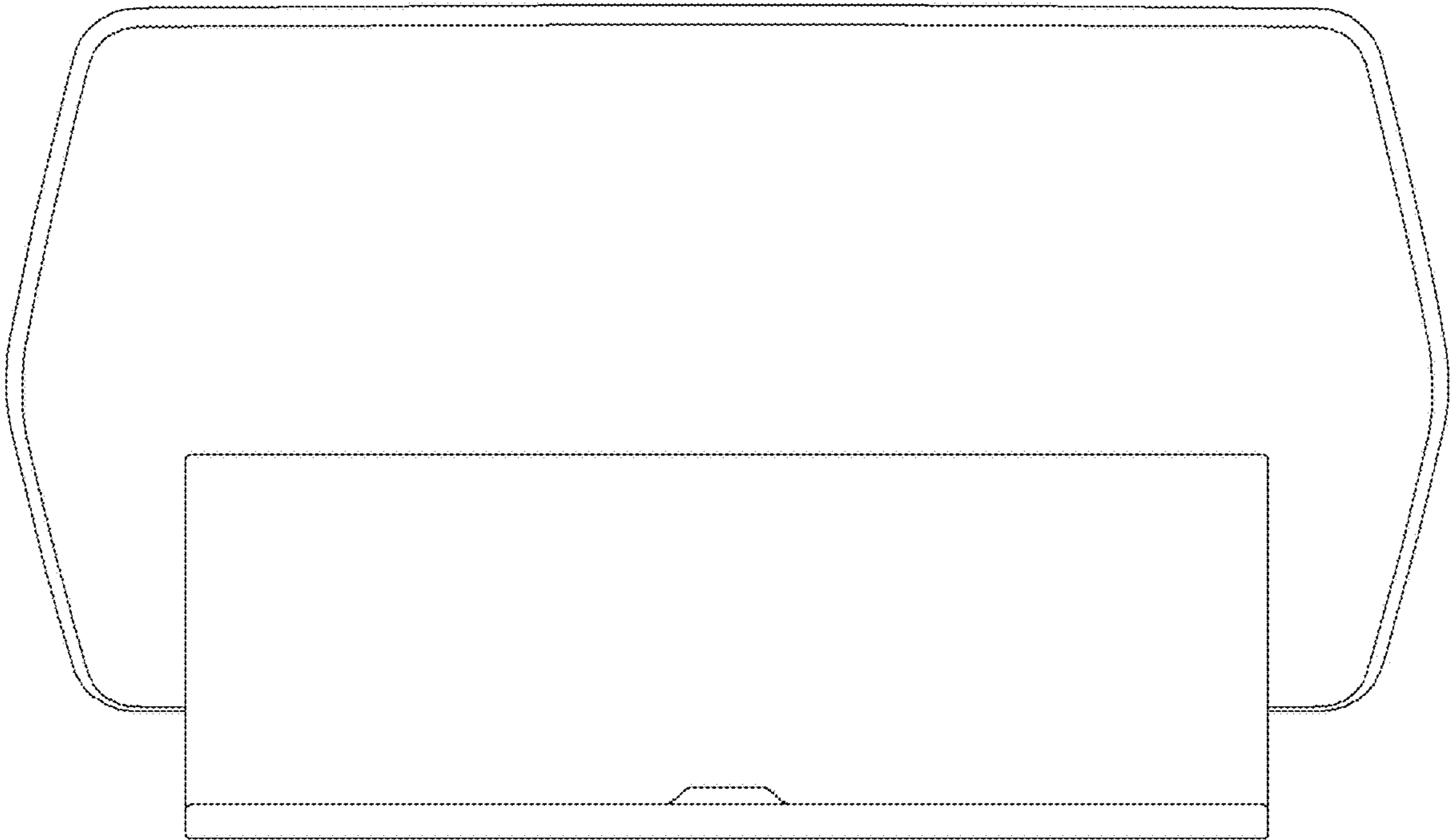
1.1



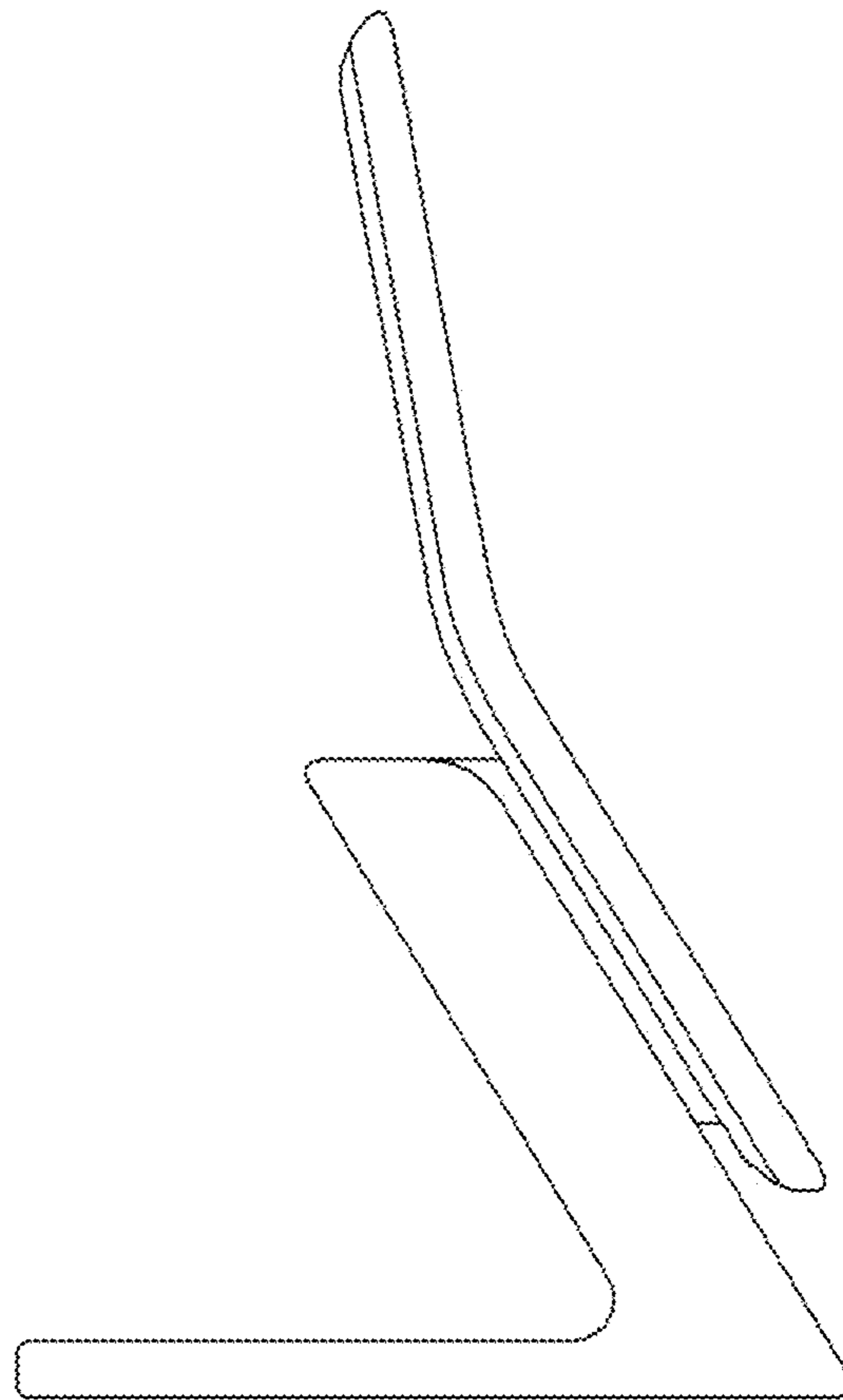
1.2



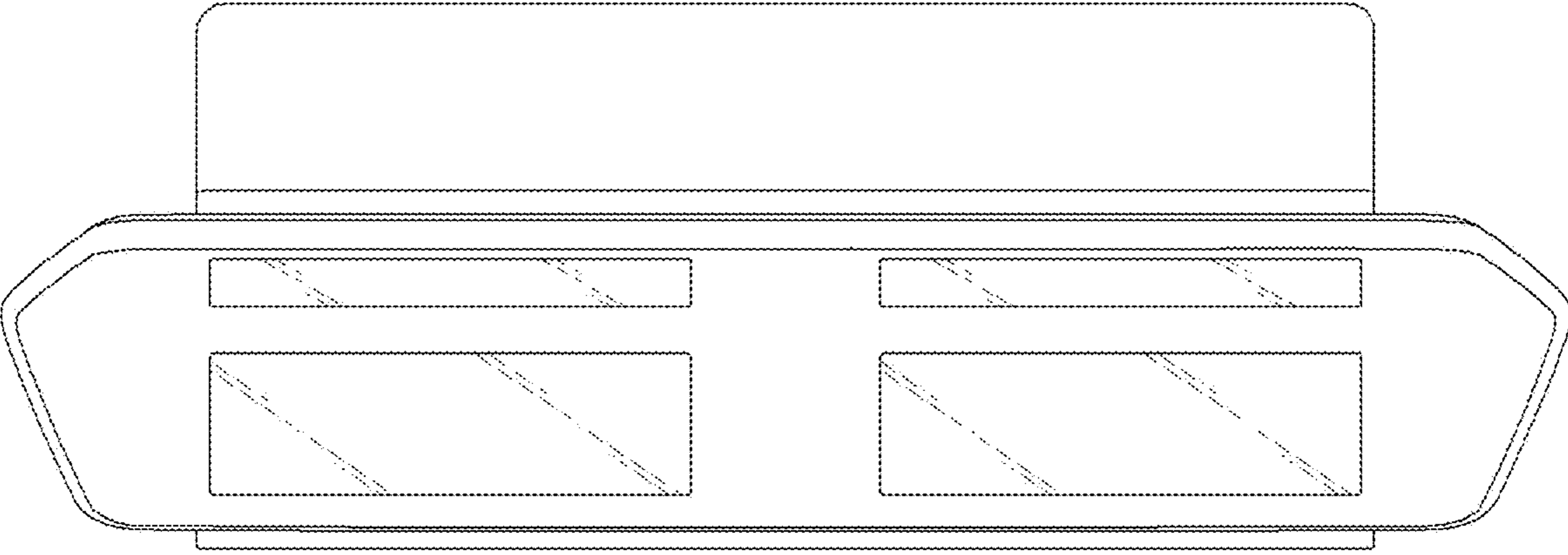
1.3



1.4



1.5



1.6

