



US00D930642S

(12) **United States Design Patent**
Chen

(10) **Patent No.:** **US D930,642 S**

(45) **Date of Patent:** **** Sep. 14, 2021**

(54) **CELL PHONE HOLDER**

(71) Applicant: **Yongjing Chen**, Putian (CN)

(72) Inventor: **Yongjing Chen**, Putian (CN)

(**) Term: **15 Years**

(21) Appl. No.: **29/752,151**

(22) Filed: **Sep. 25, 2020**

(51) **LOC (13) Cl.** **14-03**

(52) **U.S. Cl.**
USPC **D14/253; D16/135**

(58) **Field of Classification Search**
USPC D14/251-253, 447, 440; D12/415;
D3/218; D8/349; D13/108; D16/135
CPC H04M 1/04; H04M 1/06; H04M 1/11;
H04M 1/12; H04M 1/13; A45F
2200/0516; A45F 2200/0525
See application file for complete search history.

(56) **References Cited**

U.S. PATENT DOCUMENTS

D664,528 S	7/2012	Chen et al.	
D686,609 S	7/2013	Kadivar	
D689,045 S	9/2013	Mardas	
D689,478 S	9/2013	Wikel et al.	
D703,676 S *	4/2014	Smith	D14/447
D743,955 S	11/2015	Wu	
9,308,767 B1 *	4/2016	Waldron	B42D 25/22
D756,367 S *	5/2016	Kim	D14/447
D816,027 S *	4/2018	Chen	D13/108
D829,725 S *	10/2018	Luo	D14/447
D839,869 S *	2/2019	Wang	D14/253
D842,305 S *	3/2019	Gao	D14/447
10,563,812 B2 *	2/2020	Chen	G06F 1/1607

D903,689 S *	12/2020	Zheng	D14/447
D905,686 S *	12/2020	Zhang	D14/253
D912,654 S *	3/2021	Weng	D14/253
2017/0223862 A1 *	8/2017	Justiss	A47B 23/043

OTHER PUBLICATIONS

<https://www.amazon.com/dp/B0861VQSL5>; Jun. 2, 2020.

* cited by examiner

Primary Examiner — Janice Hallmark

(74) *Attorney, Agent, or Firm* — Runit Ranjit Kanakia

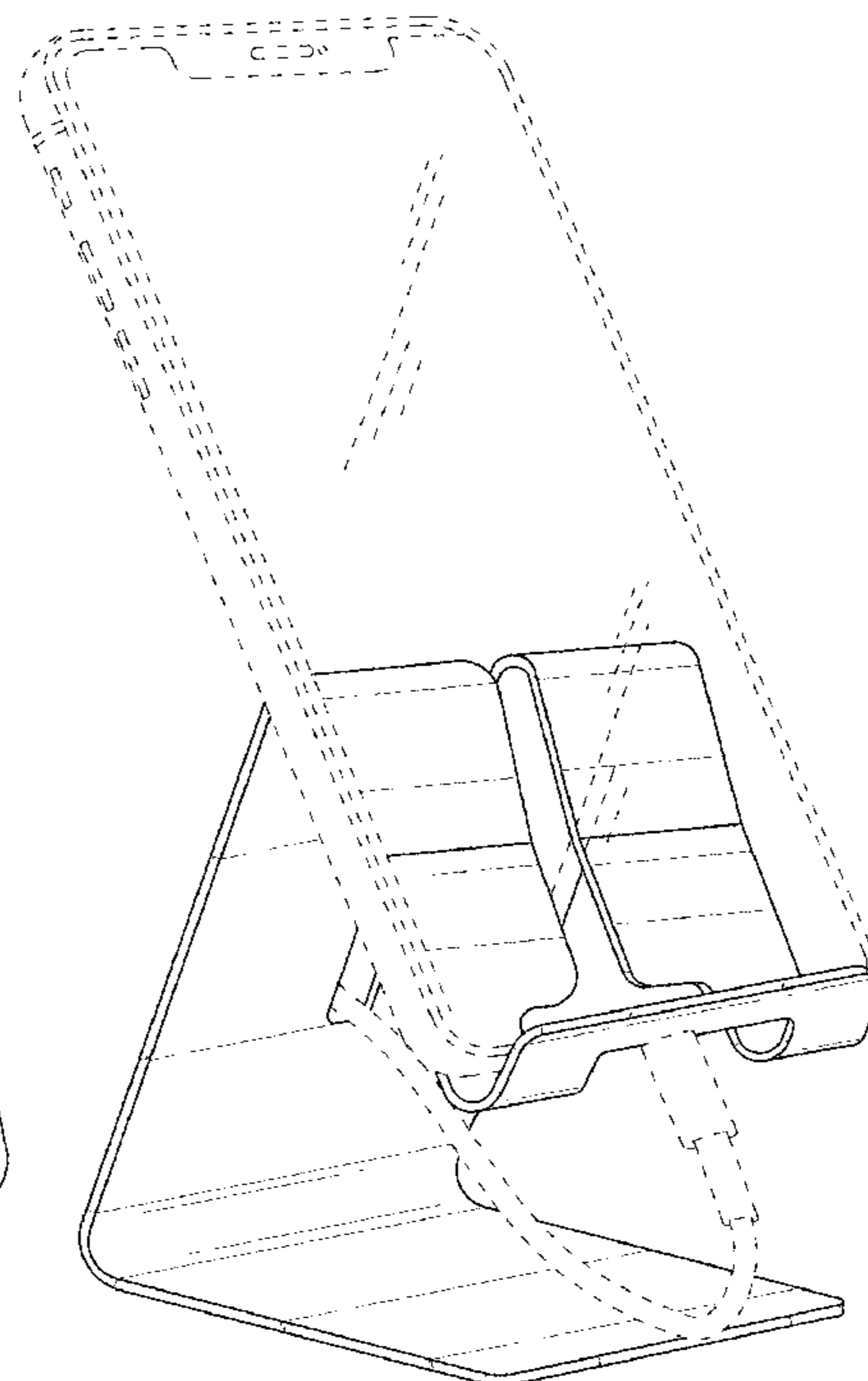
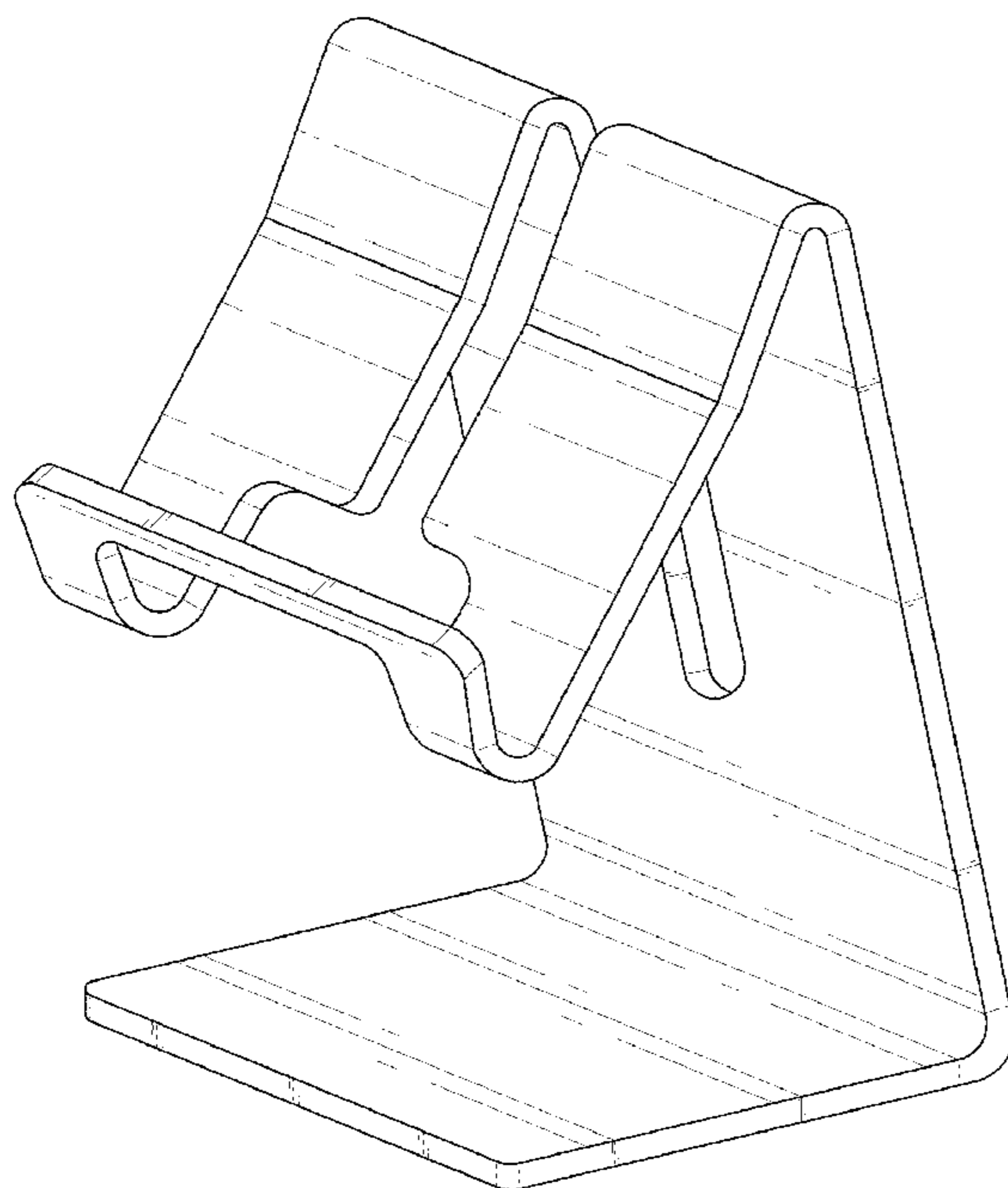
(57) **CLAIM**

I claim the ornamental design for a cell phone holder, as shown and described.

DESCRIPTION

FIG. 1 is a Perspective view of a cell phone holder showing my new design;
 FIG. 2 is a Front view thereof;
 FIG. 3 is a Back view thereof;
 FIG. 4 is a Right-side view thereof;
 FIG. 5 is a Left-side view thereof;
 FIG. 6 is a Top view thereof;
 FIG. 7 is a Bottom view thereof; and,
 FIG. 8 is a Perspective view of a cell phone holder in an environment of use with a cell phone.
 The broken lines in the drawings are for the purpose of illustrating environmental subject matter and form no part of the claimed design.

1 Claim, 8 Drawing Sheets



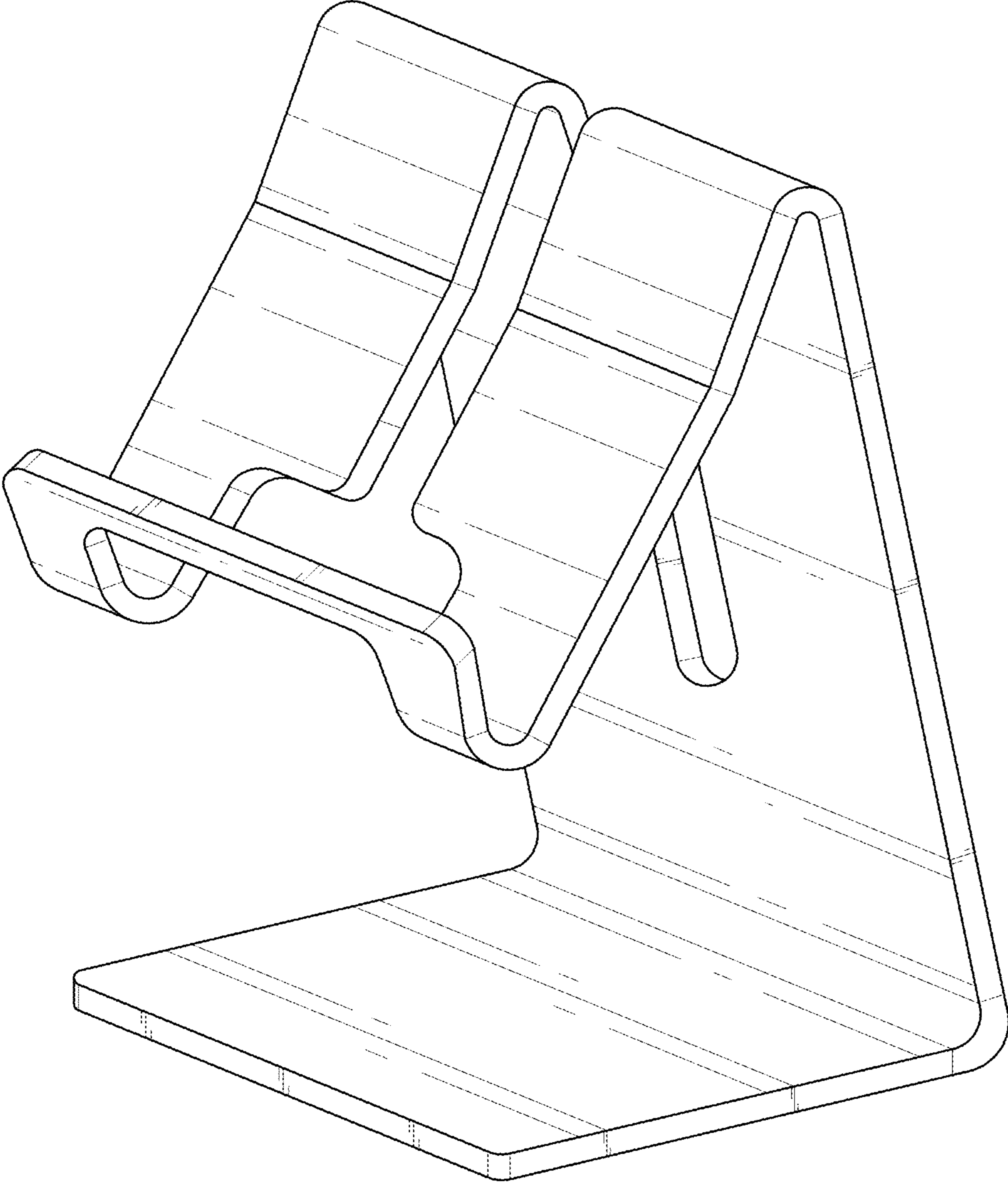


FIG. 1

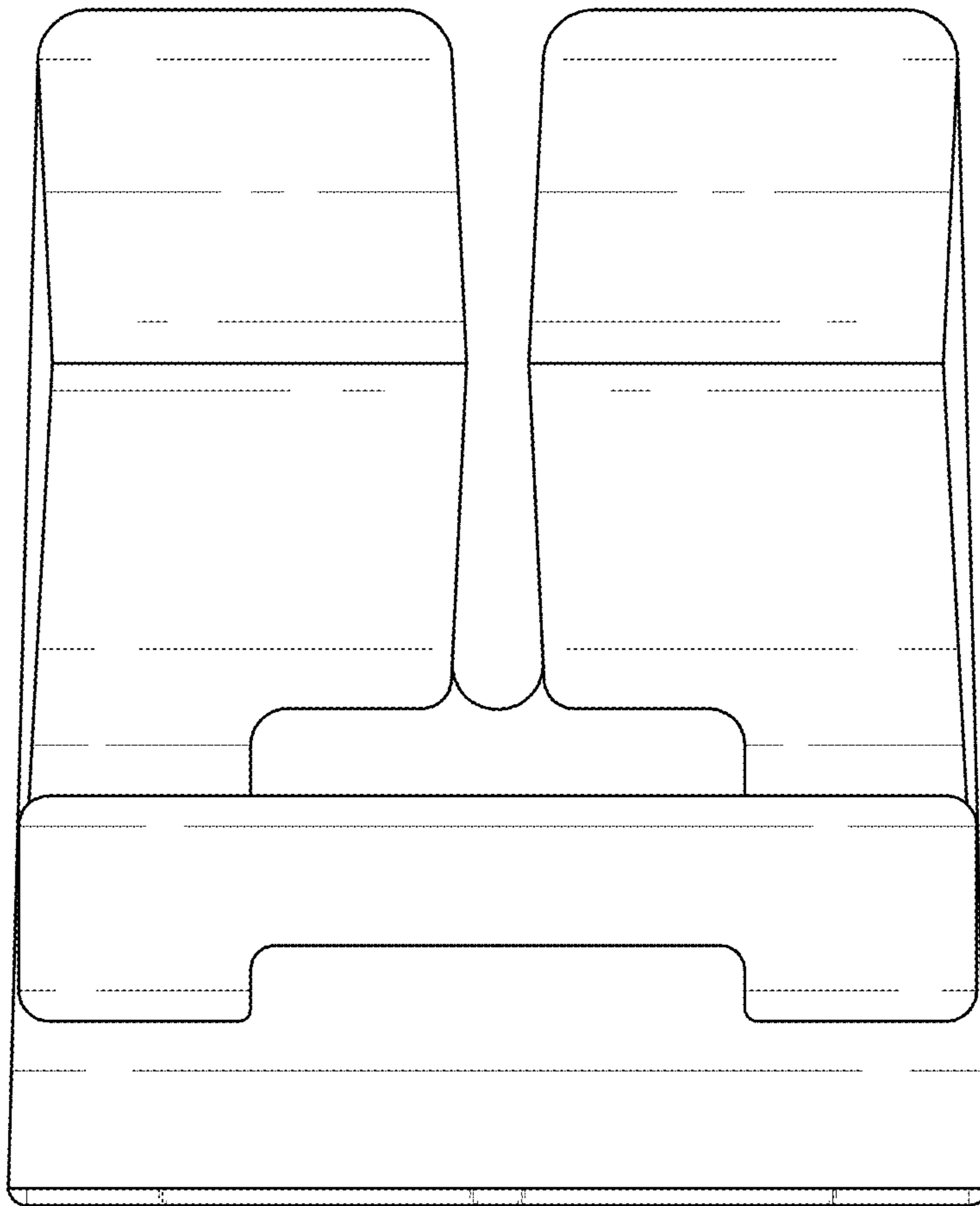


FIG. 2

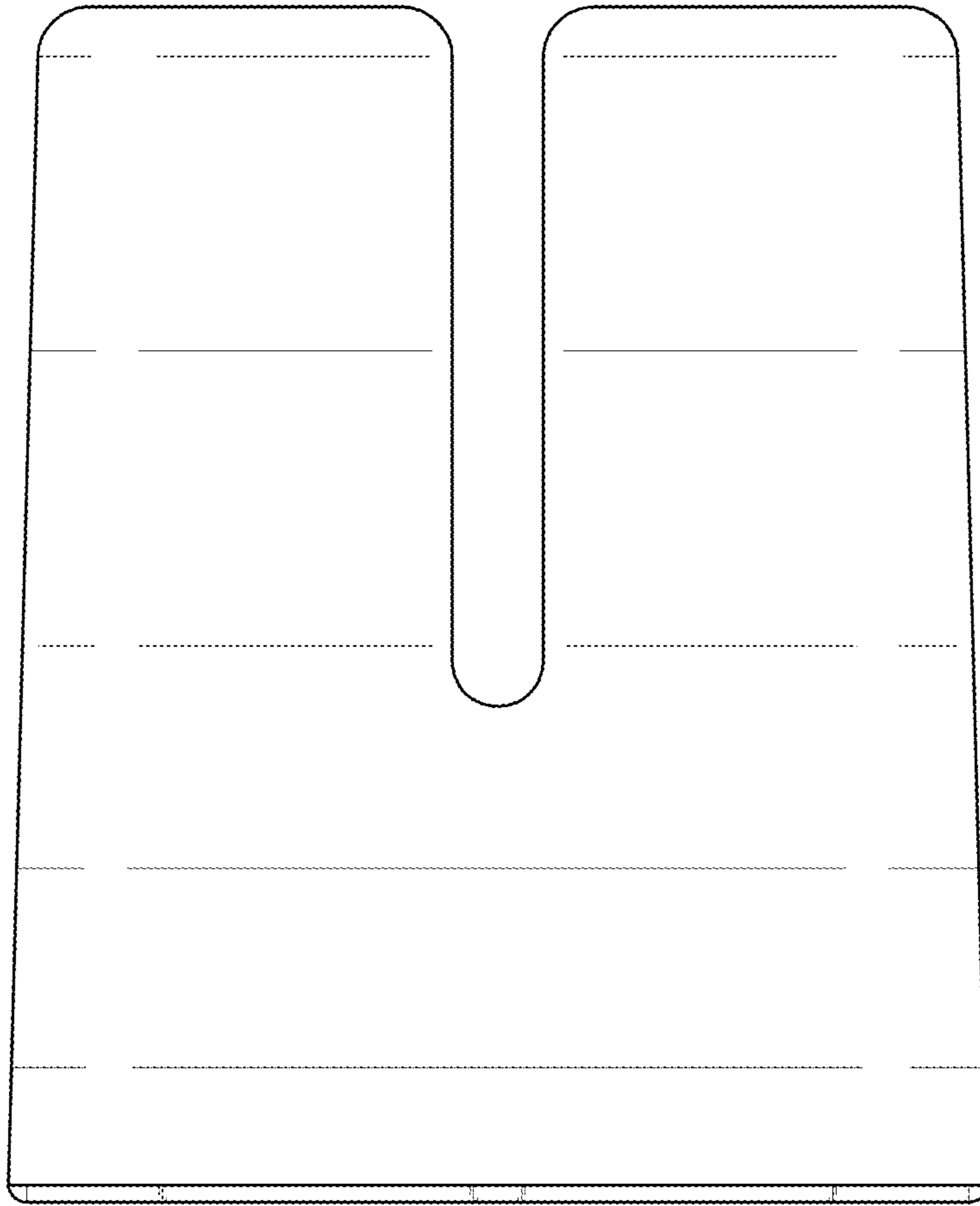


FIG. 3

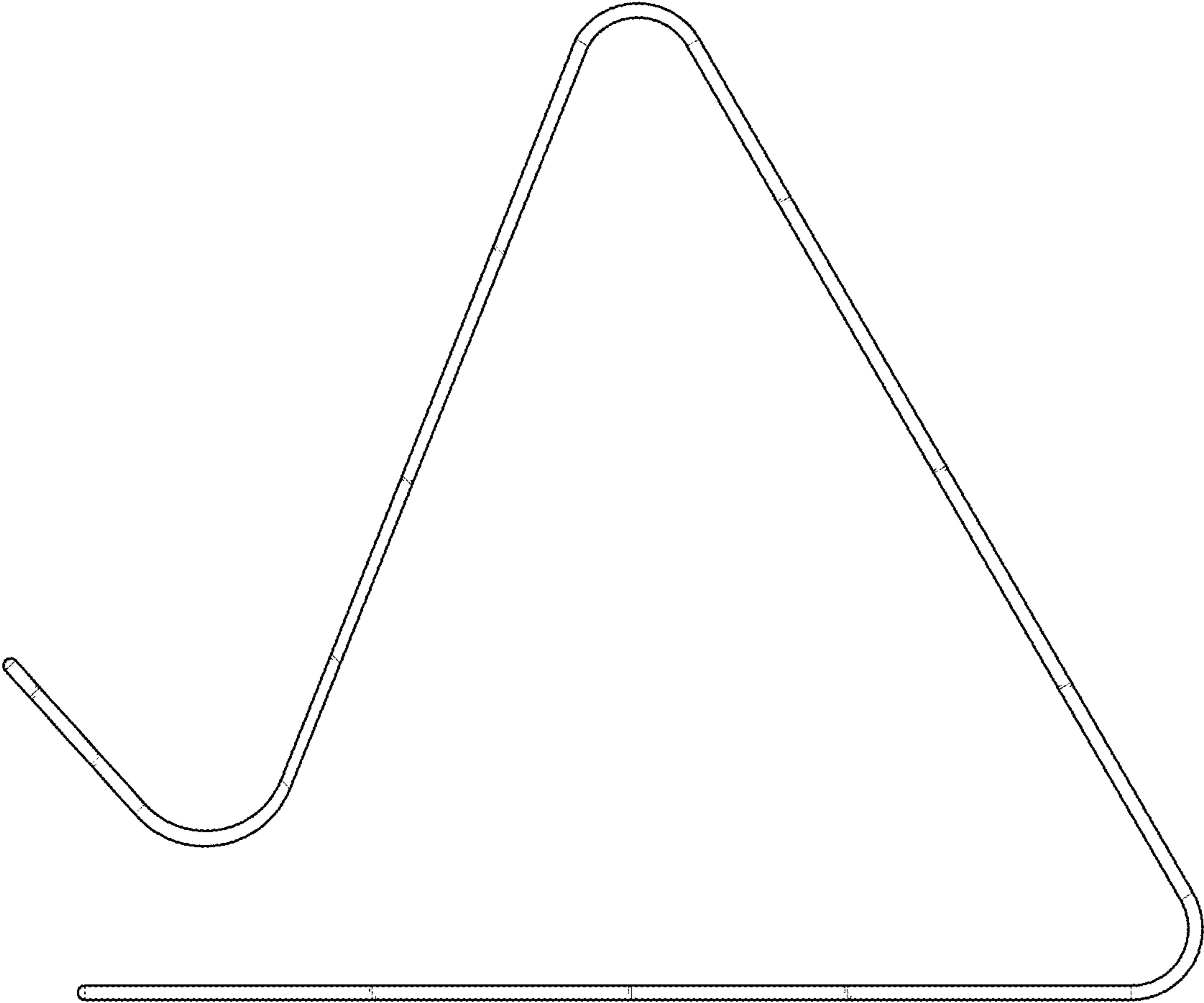


FIG. 4

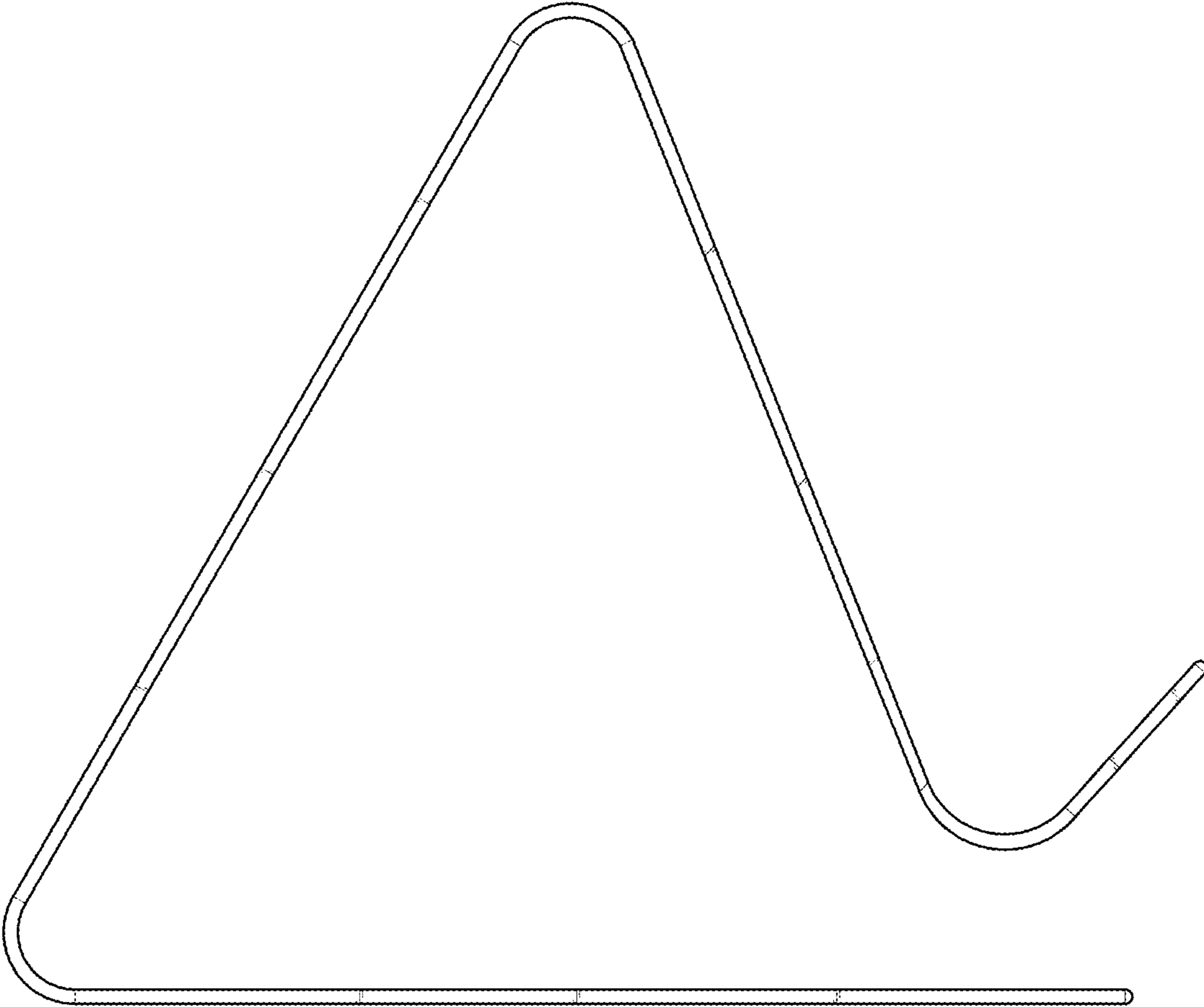


FIG. 5

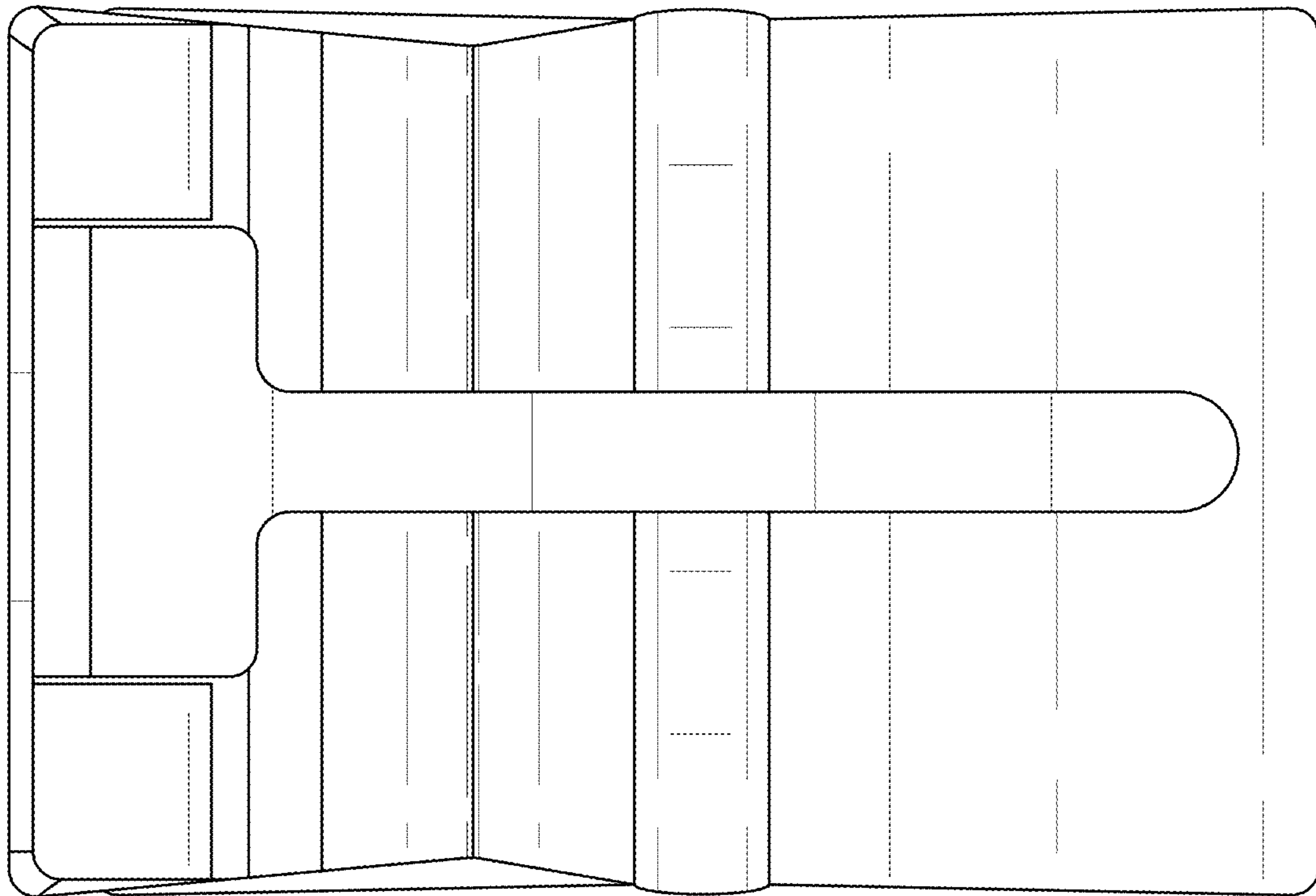


FIG. 6

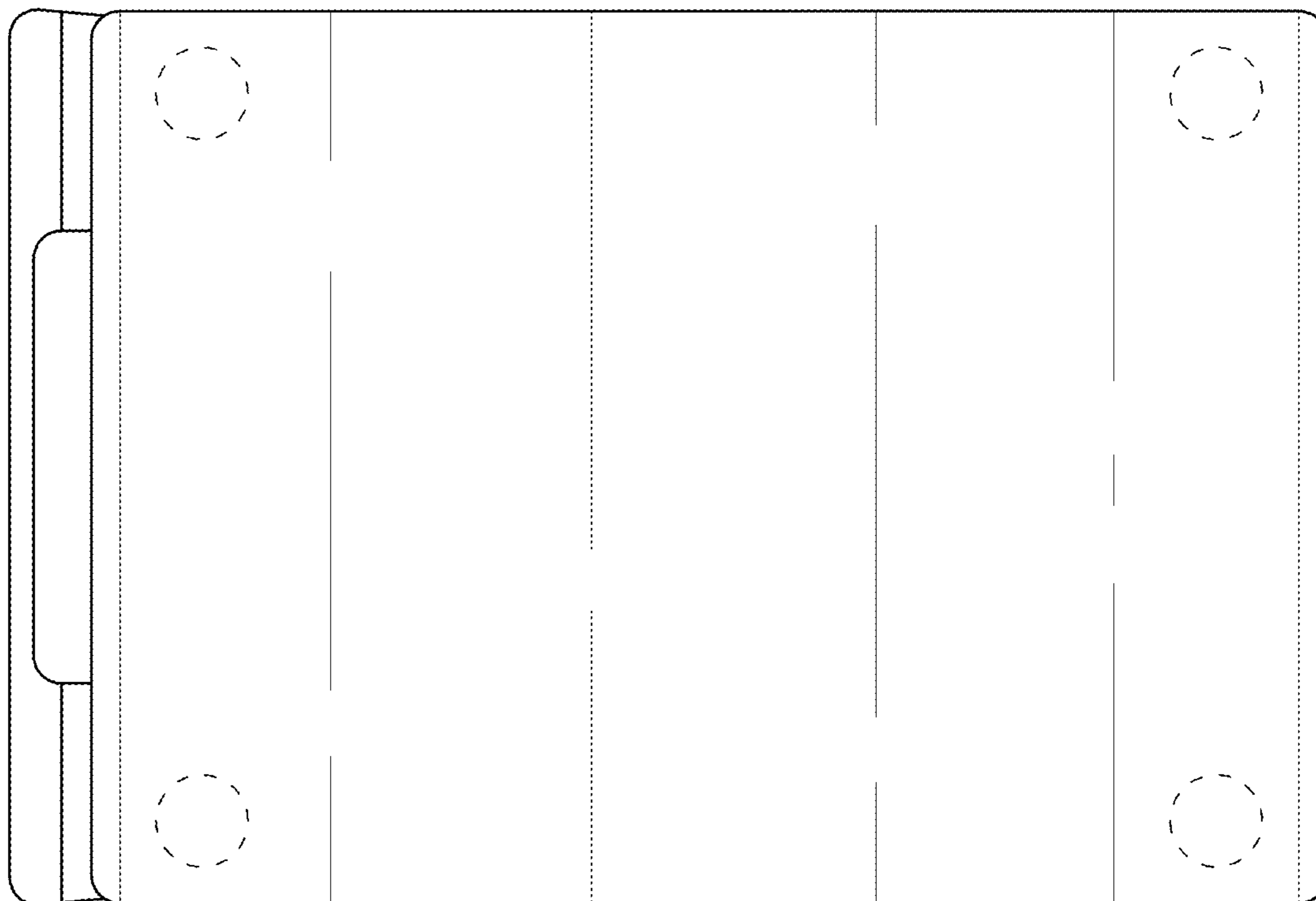


FIG. 7

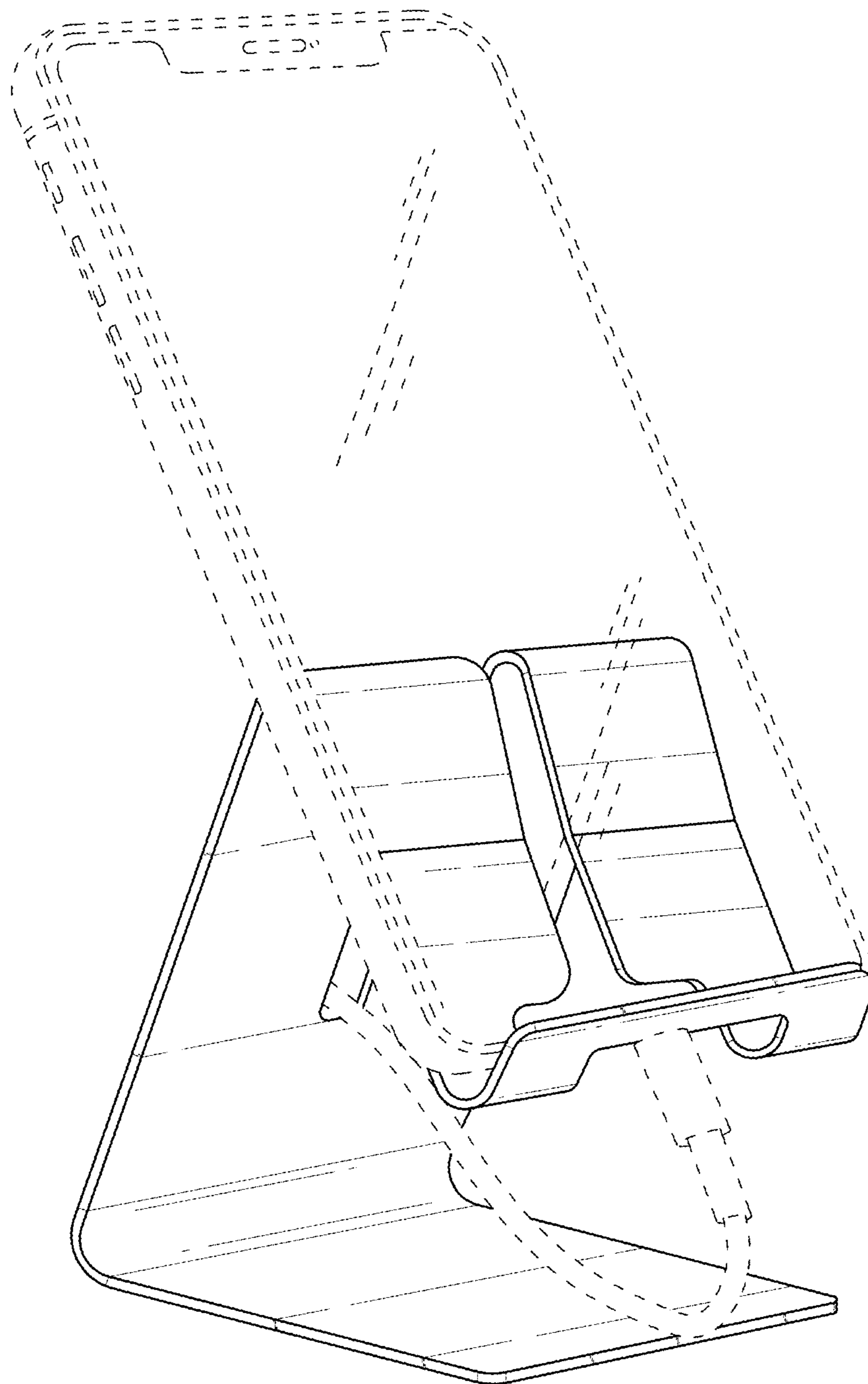


FIG. 8