



US00D930640S

(12) **United States Design Patent** (10) **Patent No.:** **US D930,640 S**
Yeo (45) **Date of Patent:** **** Sep. 14, 2021**

(54) **PHONE CASE**
(71) Applicant: **Changki Yeo**, Incheon (KR)
(72) Inventor: **Changki Yeo**, Incheon (KR)
(**) Term: **15 Years**
(21) Appl. No.: **29/711,385**
(22) Filed: **Oct. 30, 2019**
(51) **LOC (13) Cl.** **14-03**
(52) **U.S. Cl.**
USPC **D14/250**
(58) **Field of Classification Search**
USPC D14/217, 238.1, 240, 248, 250, 251–253,
D14/439, 440, 447; D13/107–108, 103,
D13/119; D3/201, 218, 247, 269, 273,
D3/301, 303
CPC H04B 1/3888; H04M 1/0283; H04M
1/0202; A45C 1/06; A45C 11/00; A45C
13/02; A45C 2011/002; A45F 2005/026;
A45F 2200/0525; A45F 2200/0516
See application file for complete search history.

(56) **References Cited**
U.S. PATENT DOCUMENTS
8,428,664 B1 * 4/2013 Wyers F16M 13/04
455/575.1
D834,010 S * 11/2018 Kim D14/250
D842,295 S * 3/2019 Ahn D14/250
D843,993 S * 3/2019 Jeong D14/250
D843,994 S * 3/2019 Jeong D14/250
D845,943 S * 4/2019 Skovsted D14/250
D849,733 S * 5/2019 Yun D14/250
D850,432 S * 6/2019 Kim D14/250
D855,047 S * 7/2019 Hyun D14/250
D855,608 S * 8/2019 Kim D14/250
D856,994 S * 8/2019 Jung D14/250
D859,391 S * 9/2019 Yun D14/250
D877,131 S * 3/2020 Yang D14/250
10,610,004 B1 * 4/2020 Yeo A45F 5/10

D883,971 S * 5/2020 Kim D14/250
D888,034 S * 6/2020 Kim D14/250
10,694,630 B2 * 6/2020 Roberts H05K 5/0221
D890,738 S * 7/2020 Lee D14/250
D892,098 S * 8/2020 Kim D14/250
D892,104 S * 8/2020 Lee D14/250
D894,167 S * 8/2020 Feller D14/251
D894,889 S * 9/2020 Feller D14/251
2016/0183652 A1 * 6/2016 Erlandsen Strange . H04M 1/04
220/756

(Continued)

OTHER PUBLICATIONS

“Samsung Galaxy S10 Waterproof Case, POTLUX S10 Case Built in Screen Protector [. . .]” [online]. Potalux. [Date first available Mar. 5, 2019]. Retrieved from the Internet: <<https://www.amazon.com/dp/B07PV9CB8L/>>.*

Primary Examiner — Mojtaba Tehrani

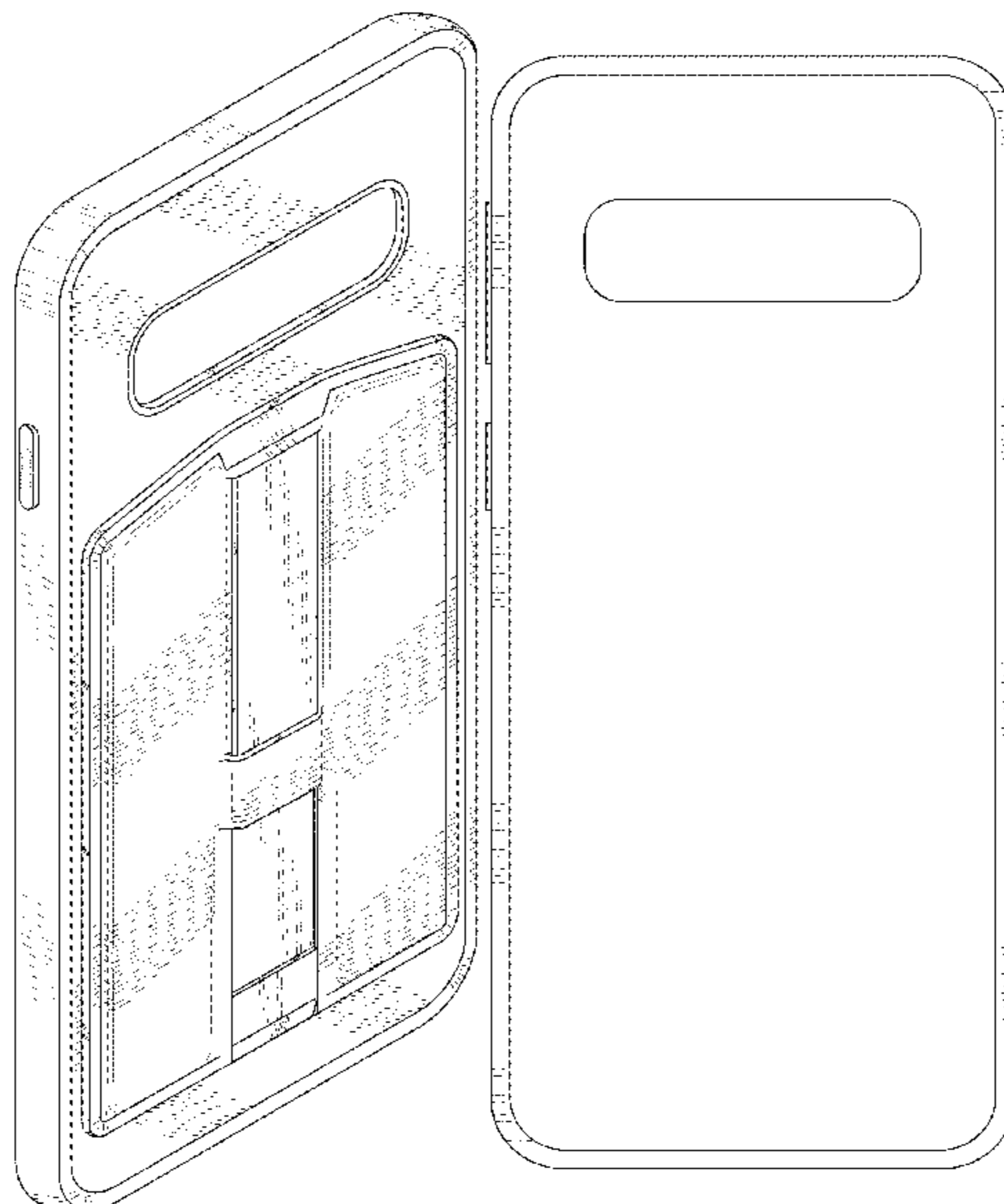
(57) **CLAIM**

The ornamental design for a phone case, as shown and described.

DESCRIPTION

FIG. 1 is a perspective view of a phone case showing my new design;
FIG. 2 is a front elevational view thereof;
FIG. 3 is a rear elevational view thereof;
FIG. 4 is a left side elevational view thereof;
FIG. 5 is a right side elevational view thereof;
FIG. 6 is a top plan view thereof;
FIG. 7 is a bottom plan view thereof;
FIG. 8 is an exemplary view thereof, showing the strap in a retracted position;
FIG. 9 is an exemplary view thereof; and,
FIG. 10 is an exemplary view thereof.
The broken lines shown in FIGS. 8-10 represent unclaimed subject matter and form no part of the claimed design.

1 Claim, 9 Drawing Sheets



(56)

References Cited

U.S. PATENT DOCUMENTS

2017/0328514 A1* 11/2017 Cavalcante F16M 13/00
2019/0055062 A1* 2/2019 Winn H04B 1/3888
2019/0199387 A1* 6/2019 Yang H04B 1/3888

* cited by examiner

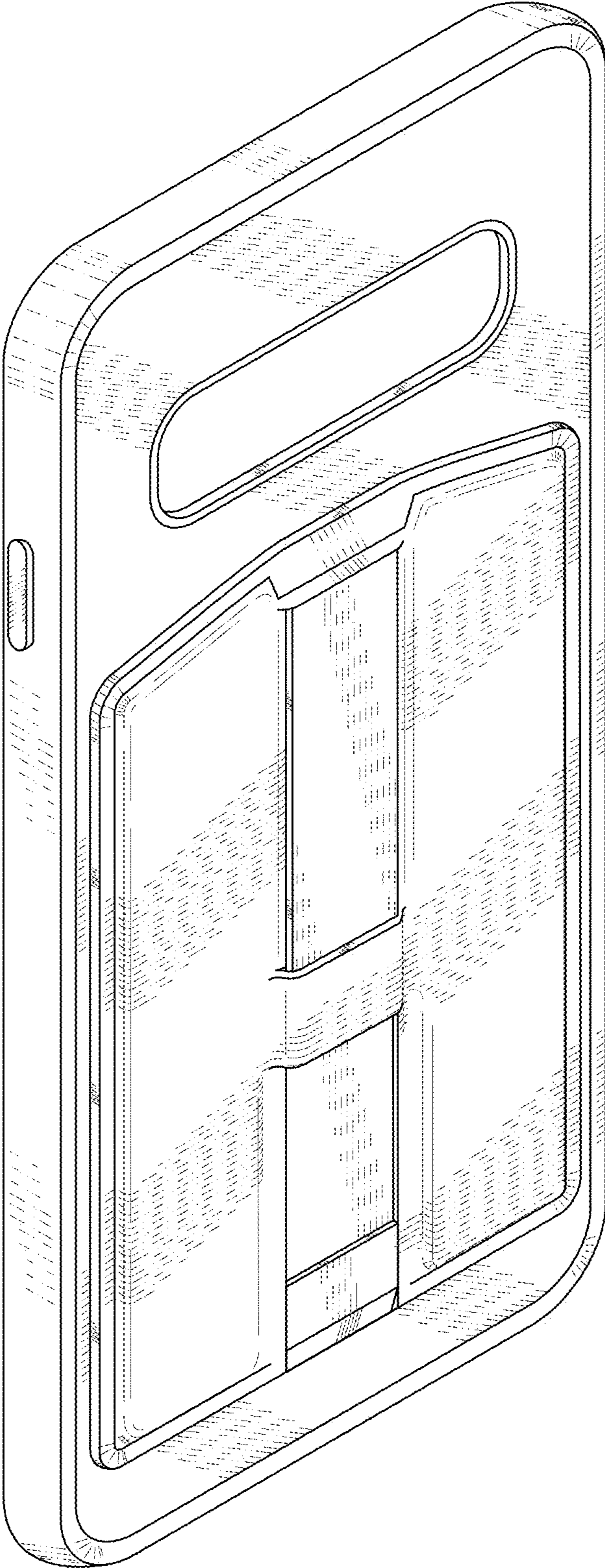


FIG. 1

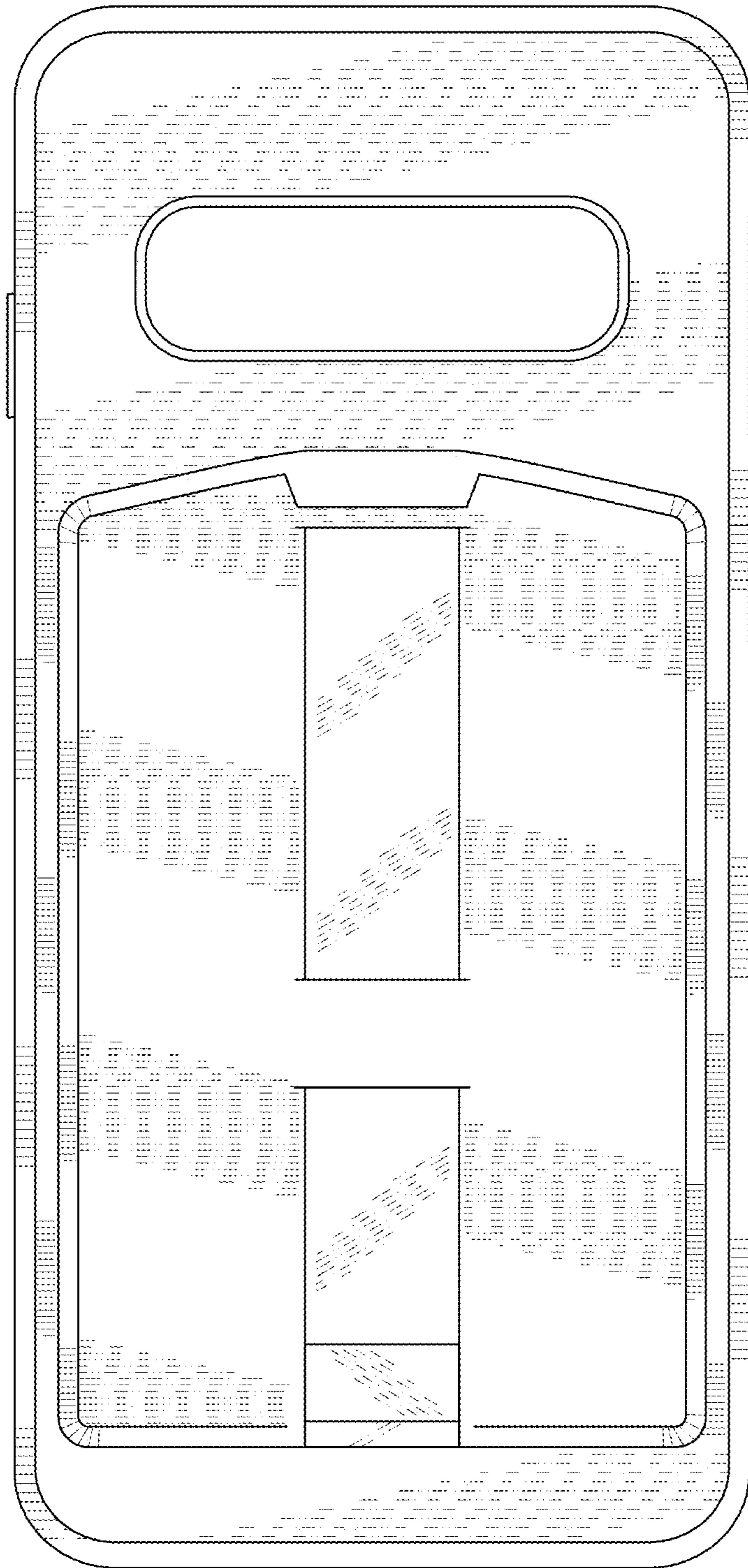


FIG. 2

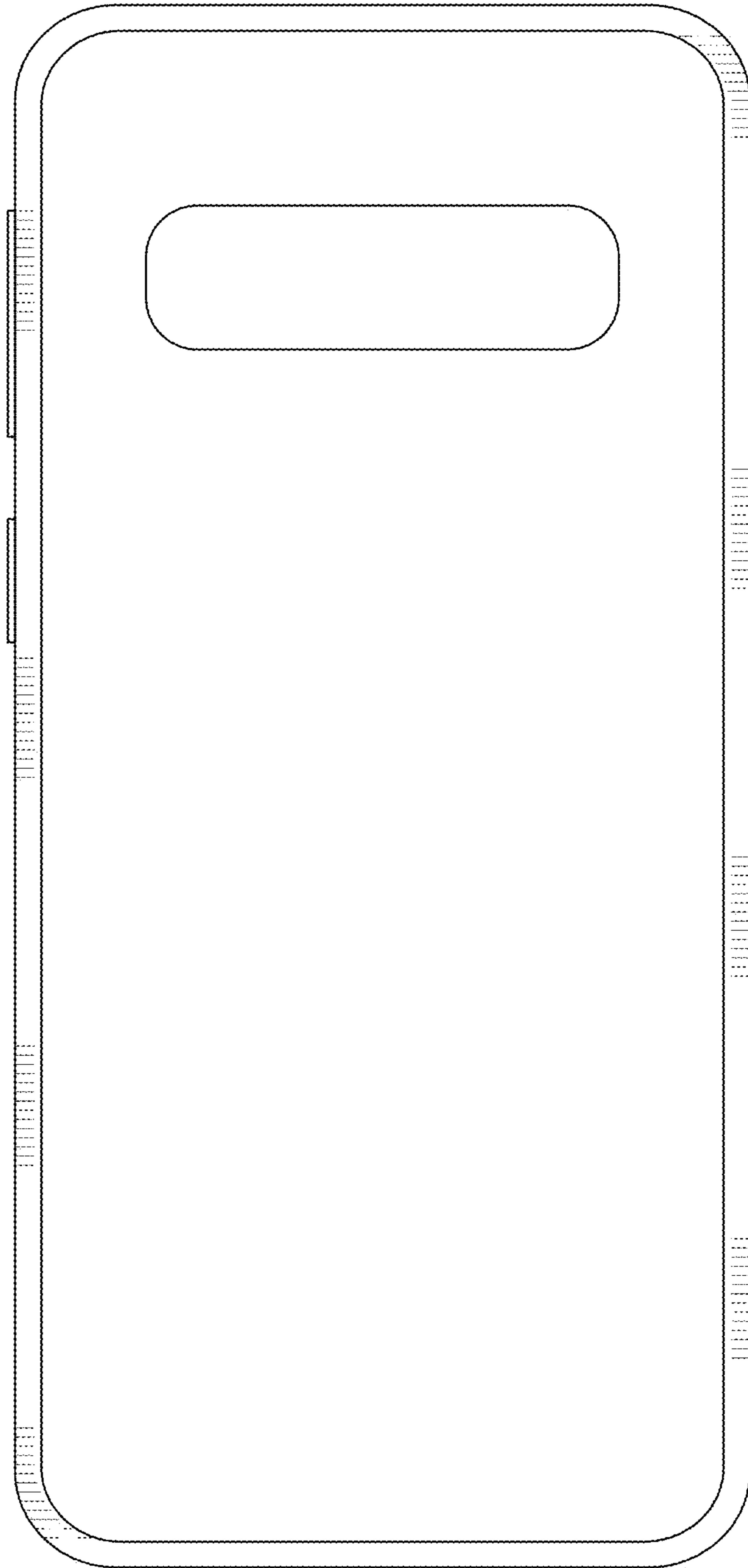


FIG. 3

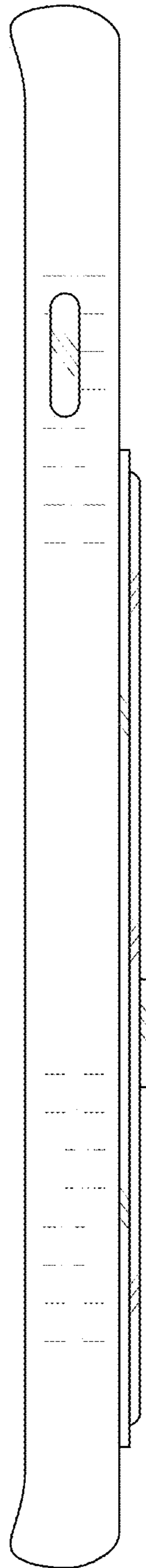


FIG. 4

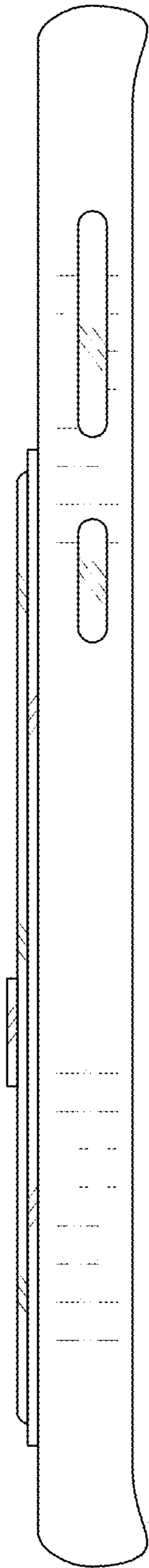


FIG. 5

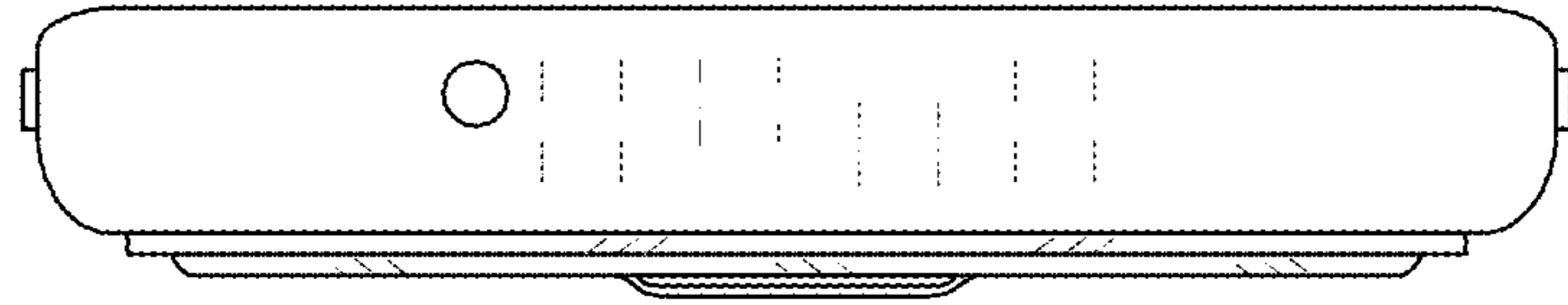


FIG. 6

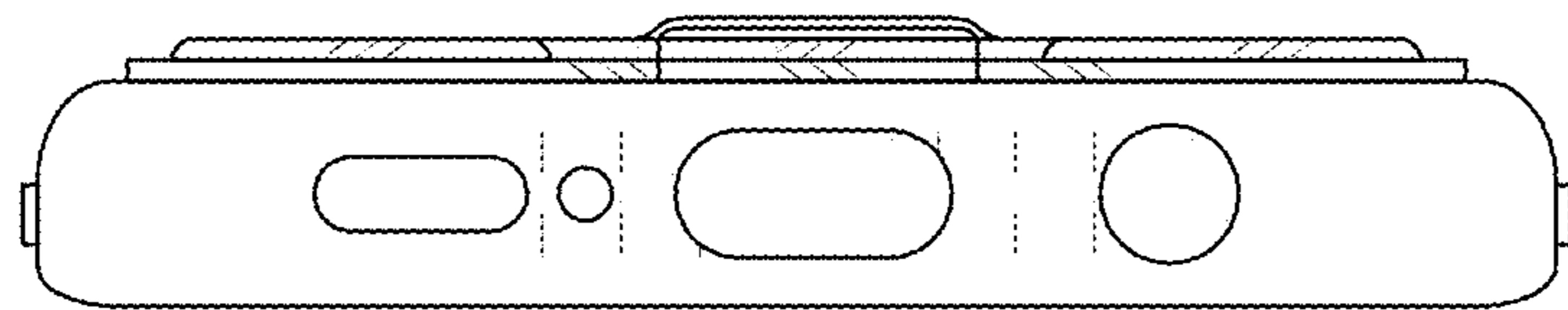


FIG. 7

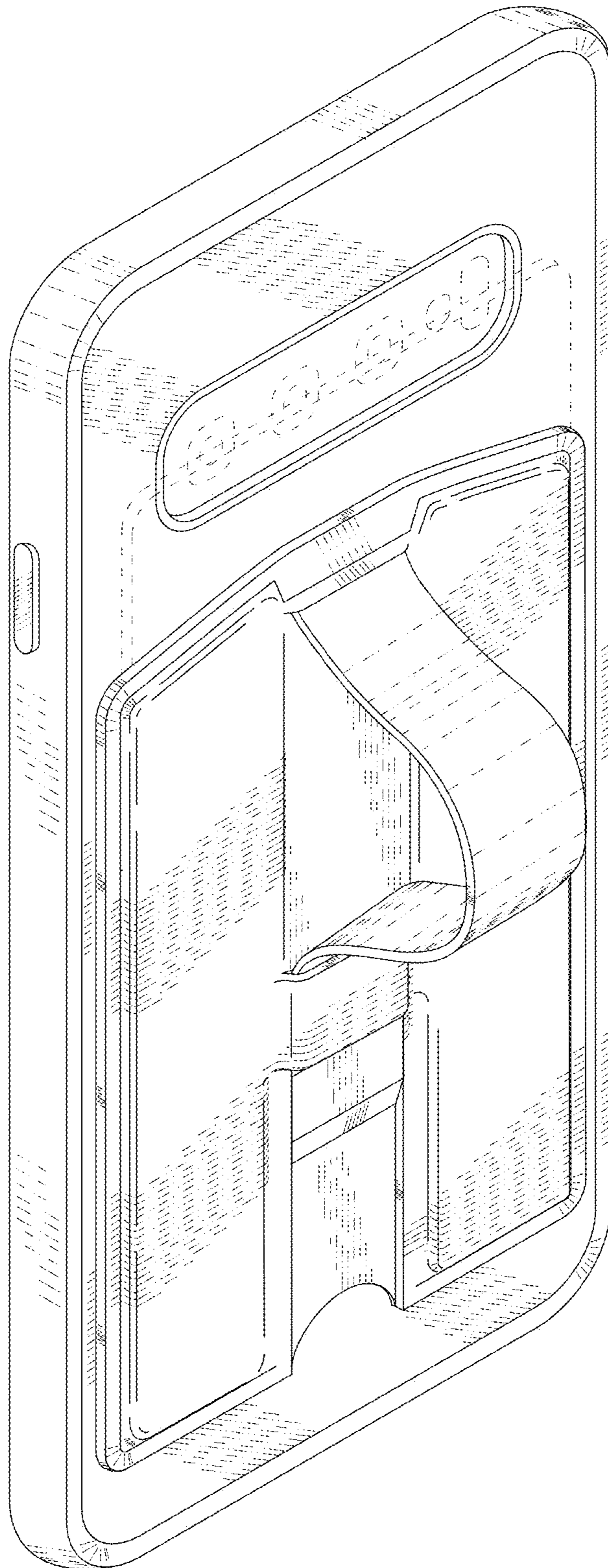


FIG. 8

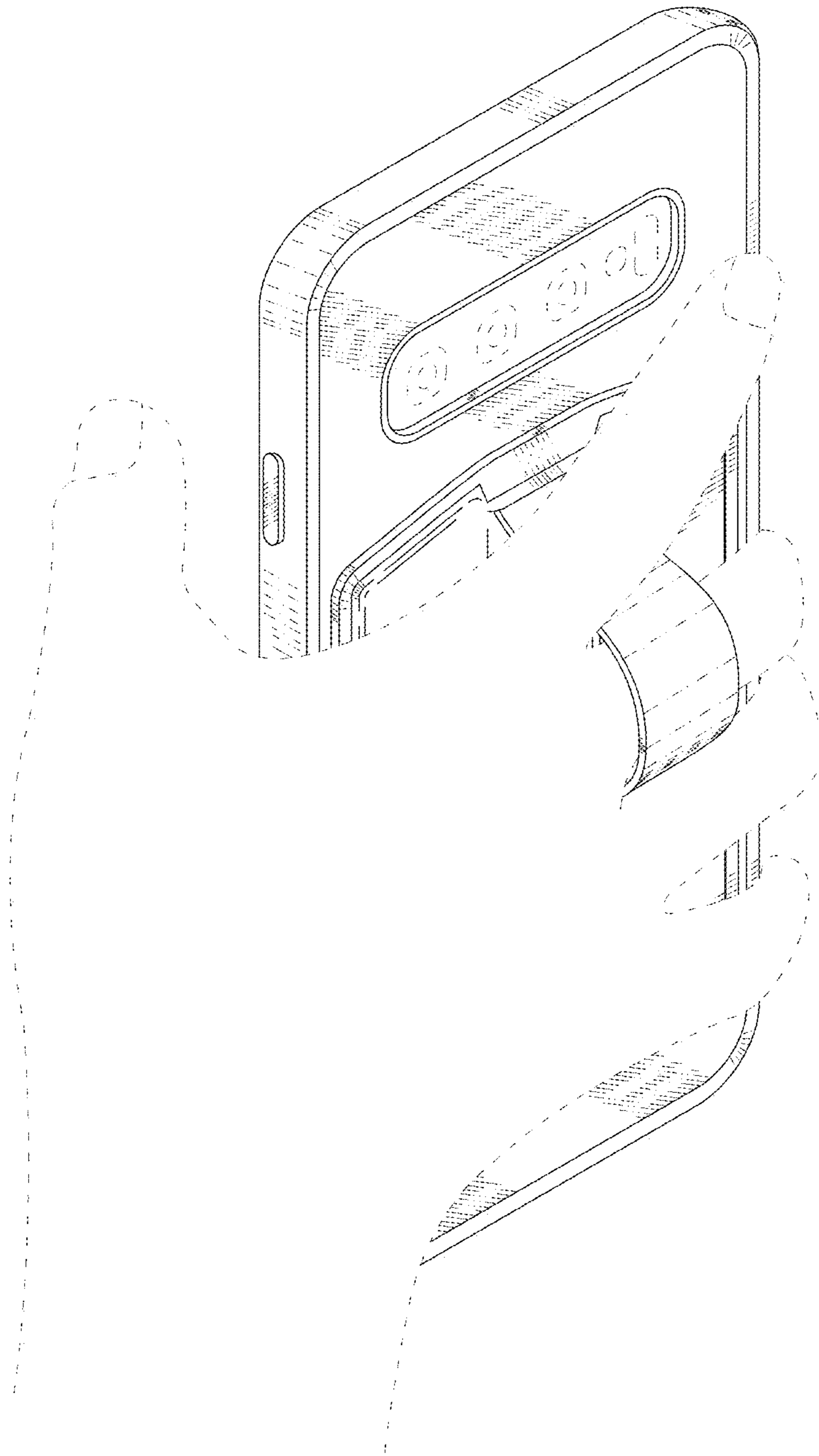


FIG. 9

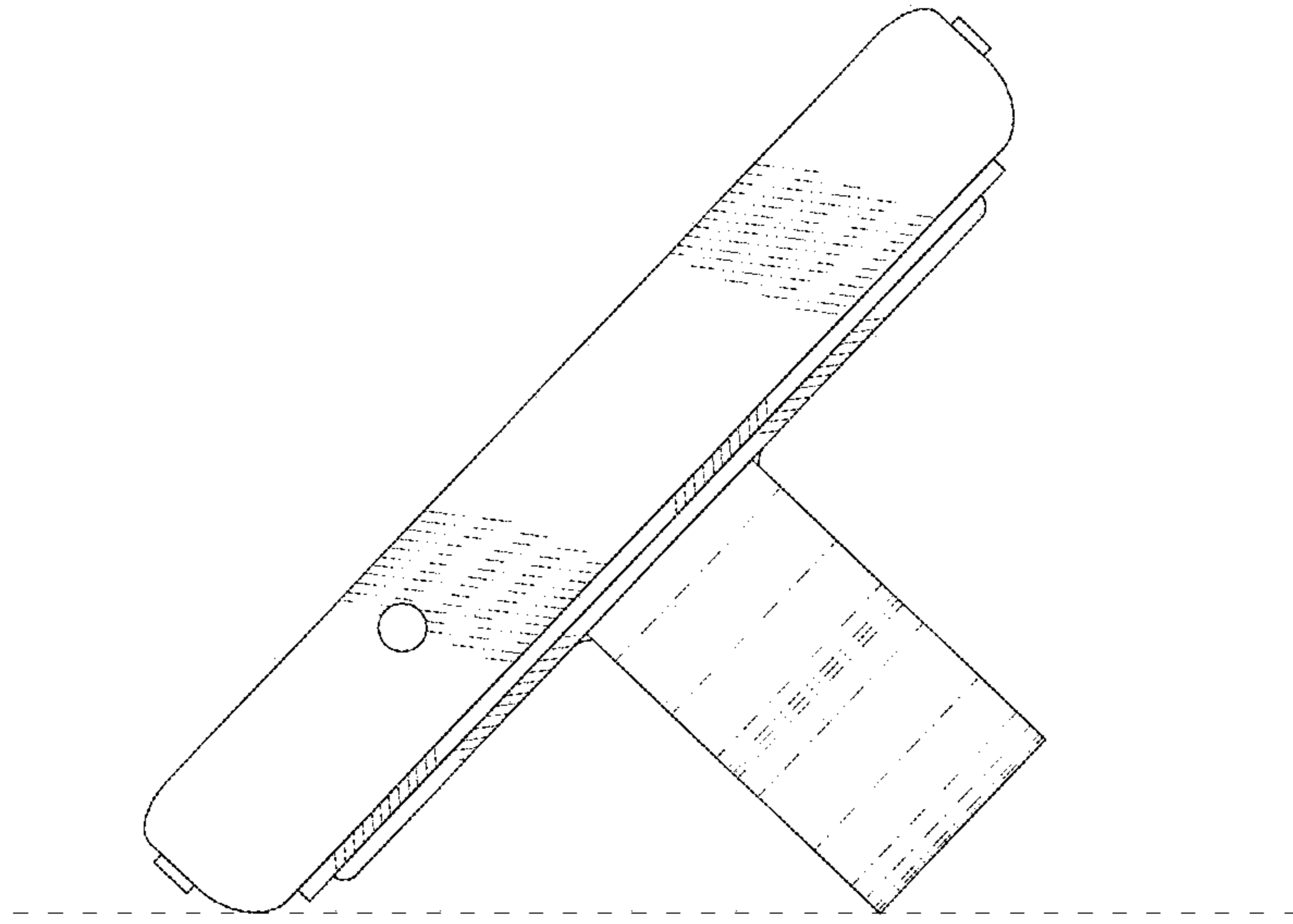


FIG. 10