



US00D930639S

(12) **United States Design Patent**  
**Hurt et al.**

(10) **Patent No.:** **US D930,639 S**

(45) **Date of Patent:** **\*\* Sep. 14, 2021**

(54) **PROTECTIVE AND COOLING CASE FOR  
ELECTRONIC COMMUNICATIONS DEVICE**

(71) Applicants: **Alisha Hurt**, Las Vegas, NV (US);  
**Dwayne McLeod**, Las Vegas, NV (US)

(72) Inventors: **Alisha Hurt**, Las Vegas, NV (US);  
**Dwayne McLeod**, Las Vegas, NV (US)

(\*\*) Term: **15 Years**

(21) Appl. No.: **29/704,248**

(22) Filed: **Sep. 3, 2019**

**Related U.S. Application Data**

(63) Continuation-in-part of application No.  
PCT/IB2019/055066, filed on Jun. 17, 2019.

(51) **LOC (13) Cl.** ..... **14-03**

(52) **U.S. Cl.**  
USPC ..... **D14/250**

(58) **Field of Classification Search**  
USPC ..... D14/203.3–203.7, 439, 251–253, 447,  
D14/217, 240, 238.1, 250, 440, 248;  
D13/107–108, 103, 119; D3/201, 218,  
D3/247, 249, 269, 273, 301, 303  
CPC . H04B 1/3888; A45C 13/02; A45C 2011/002;  
A45C 1/06; A45C 11/00; A45F 2005/026;  
A45F 2200/0525; A45F 2200/0516;  
H04M 1/0283; H04M 1/0202  
See application file for complete search history.

(56) **References Cited**

**U.S. PATENT DOCUMENTS**

D710,346 S \* 8/2014 Smith ..... D14/250  
D719,950 S \* 12/2014 Smith ..... D14/250  
D721,070 S \* 1/2015 Pickett ..... D14/250  
D723,532 S \* 3/2015 Stevinson ..... D14/250  
D732,011 S \* 6/2015 Stevinson ..... D14/250

9,521,223 B1 \* 12/2016 Rajagopalan ..... H04M 1/0262  
D778,275 S \* 2/2017 Gabriel ..... D14/250  
D784,975 S \* 4/2017 Ballou ..... D14/250  
D788,759 S \* 6/2017 Akana ..... D14/250  
10,063,270 B2 \* 8/2018 Coulter ..... H04B 1/036  
D835,087 S \* 12/2018 Wilder ..... D14/250  
D845,289 S \* 4/2019 Chuang ..... D14/250  
D858,505 S \* 9/2019 Zhang ..... D14/250

(Continued)

*Primary Examiner* — Carla J Wright

(57) **CLAIM**

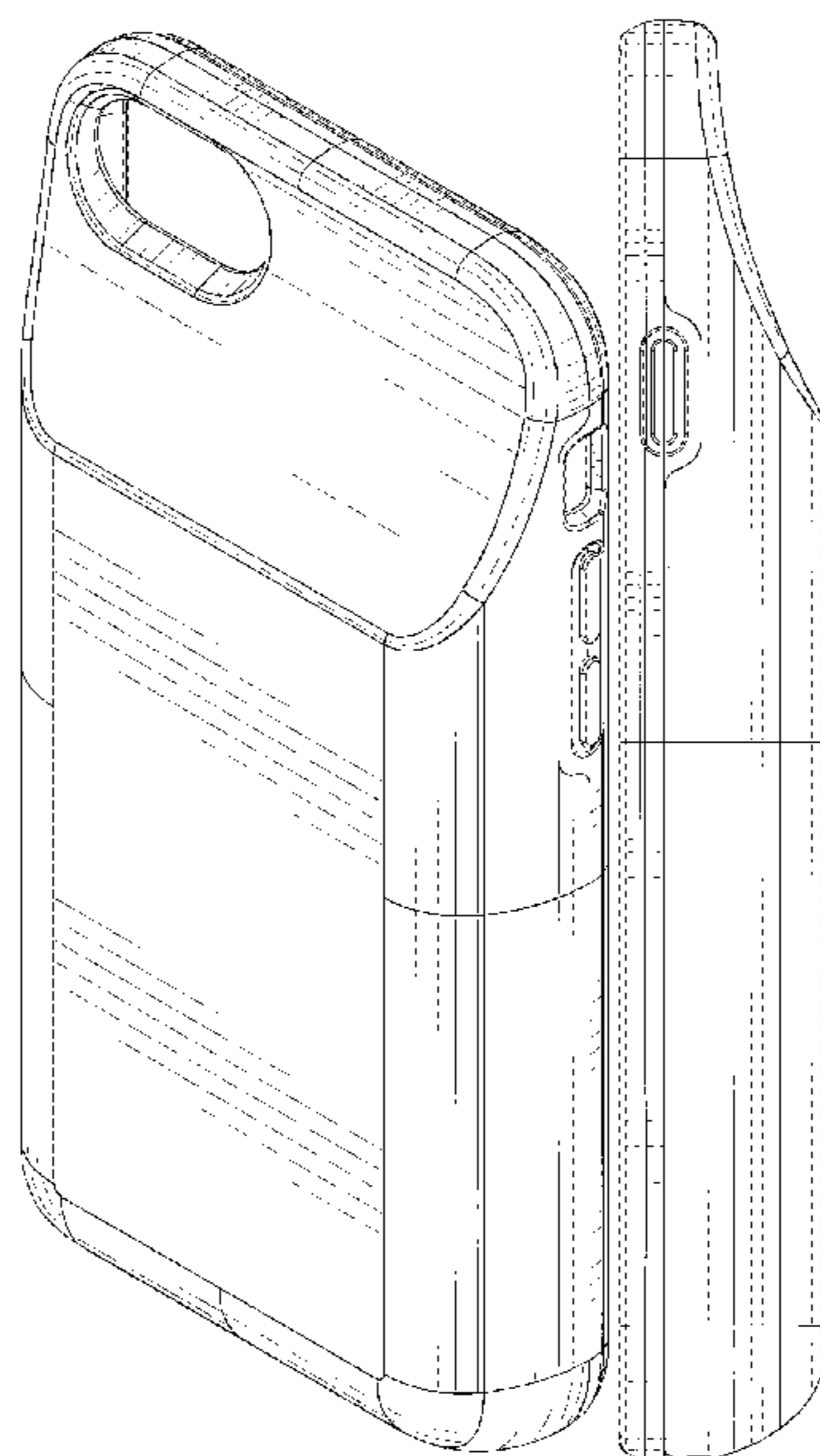
The ornamental design for a protective and cooling case for electronic communications device, as shown and described.

**DESCRIPTION**

The PCT application PCT/IB2019/055066 filed on Jun. 17, 2019 claims a priority to a U.S. non-provisional application Ser. No. 16/364,302 filed on Mar. 26, 2019. The U.S. non-provisional application Ser. No. 16/364,302 claims a priority to a U.S. non-provisional application Ser. No. 15/957,635 filed on Apr. 19, 2018. The U.S. non-provisional application Ser. No. 15/957,635 was converted into a U.S. Provisional application Ser. No. 62/763,114 on Jul. 25, 2018. FIG. 1 is a front, top, and right-side perspective view of a protective and cooling case for electronic communications device showing our new design; FIG. 2 is a rear, top, and left-side perspective view thereof; FIG. 3 is a front elevational view thereof; FIG. 4 is a rear elevational view thereof; FIG. 5 is a left elevational view thereof; FIG. 6 is a right elevational view thereof; FIG. 7 is a top plan view thereof; and, FIG. 8 is a bottom plan view thereof.

The broken line showing of structural ribs and the cooling module in FIGS. 1 and 3 is included for the purpose of illustrating environmental structure and forms no part of the claimed design.

**1 Claim, 8 Drawing Sheets**



(56)

**References Cited**

U.S. PATENT DOCUMENTS

D864,936	S *	10/2019	Chiang	.....	D14/250
D870,091	S *	12/2019	Chen	.....	D14/250
D883,917	S *	5/2020	Chen	.....	D13/103
D888,702	S *	6/2020	Yoon	.....	D14/250
D908,681	S *	1/2021	Coverstone	.....	D14/250
D908,683	S *	1/2021	Coverstone	.....	D14/250
2014/0051488	A1 *	2/2014	Chung	.....	H04M 1/0279 455/575.8
2017/0155415	A1 *	6/2017	Yan	.....	A45F 5/021
2017/0195535	A1 *	7/2017	Schofield	.....	G08C 17/02

\* cited by examiner

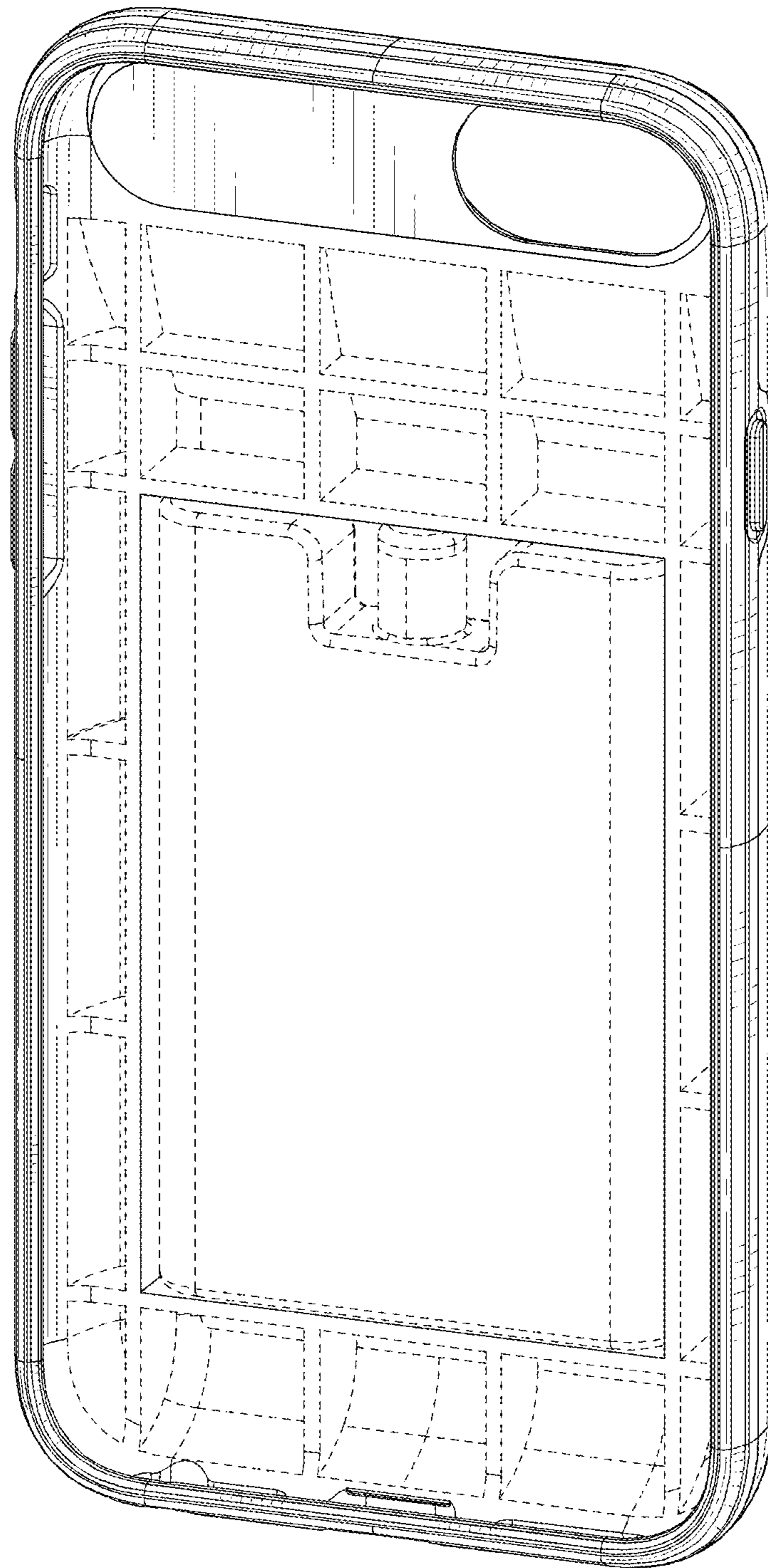


FIG. 1

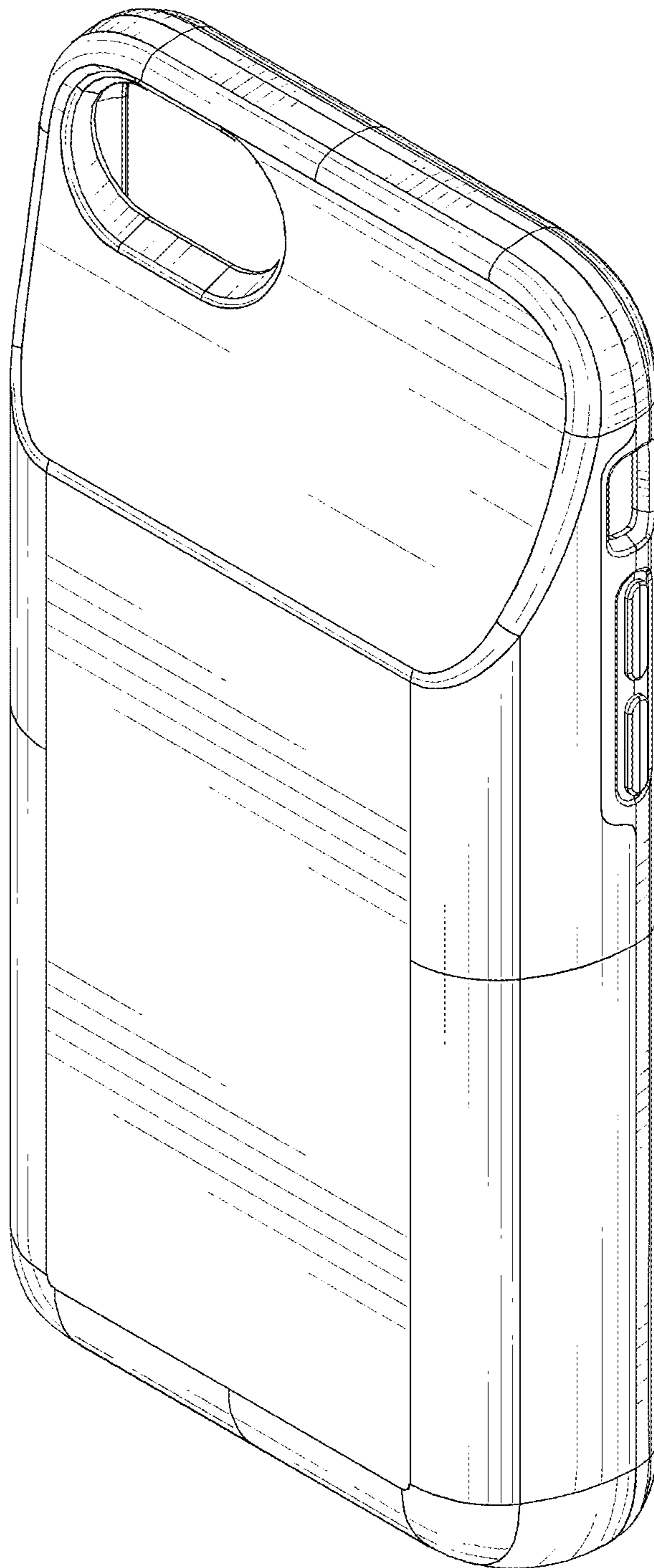


FIG. 2



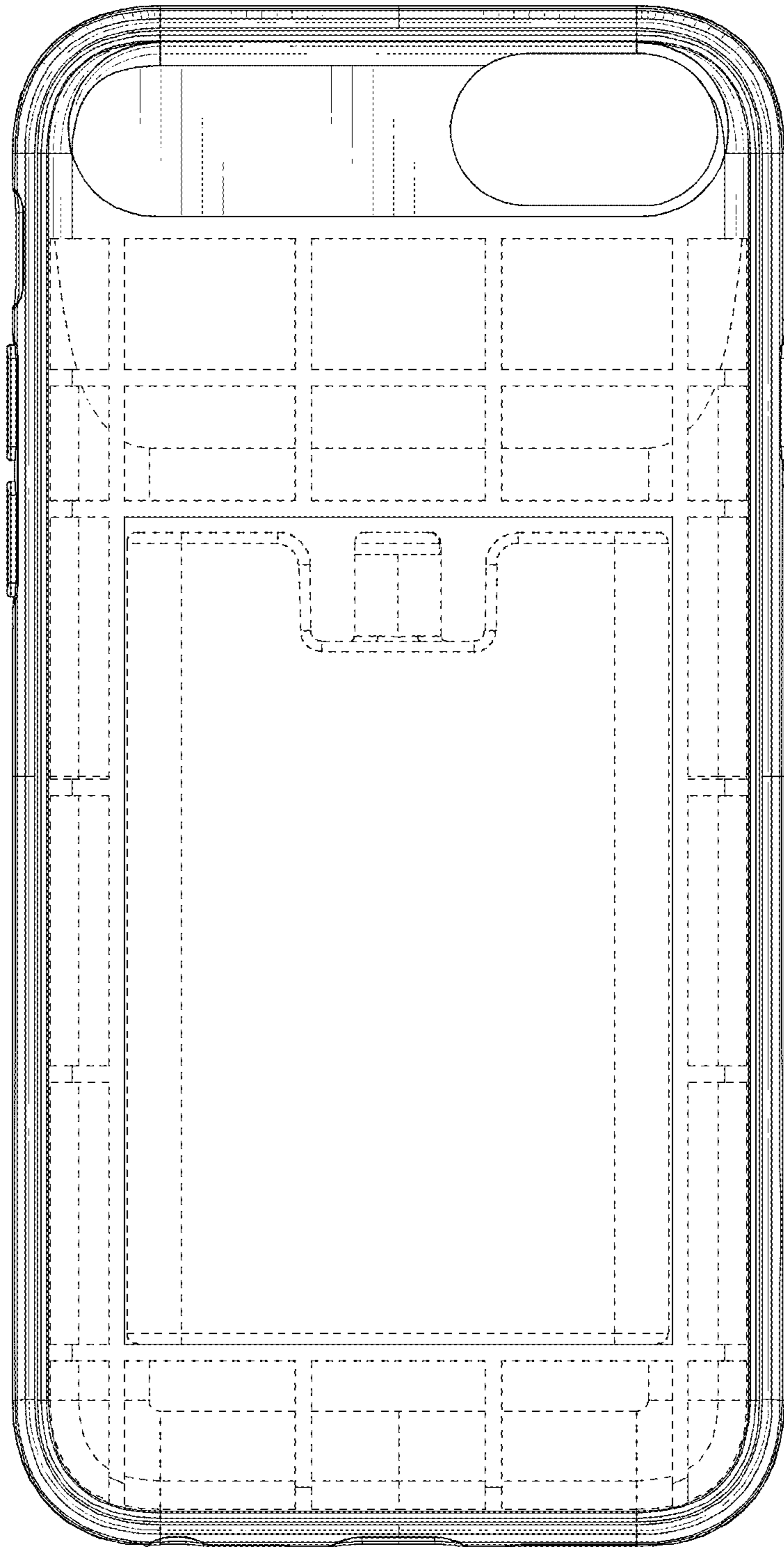


FIG. 3

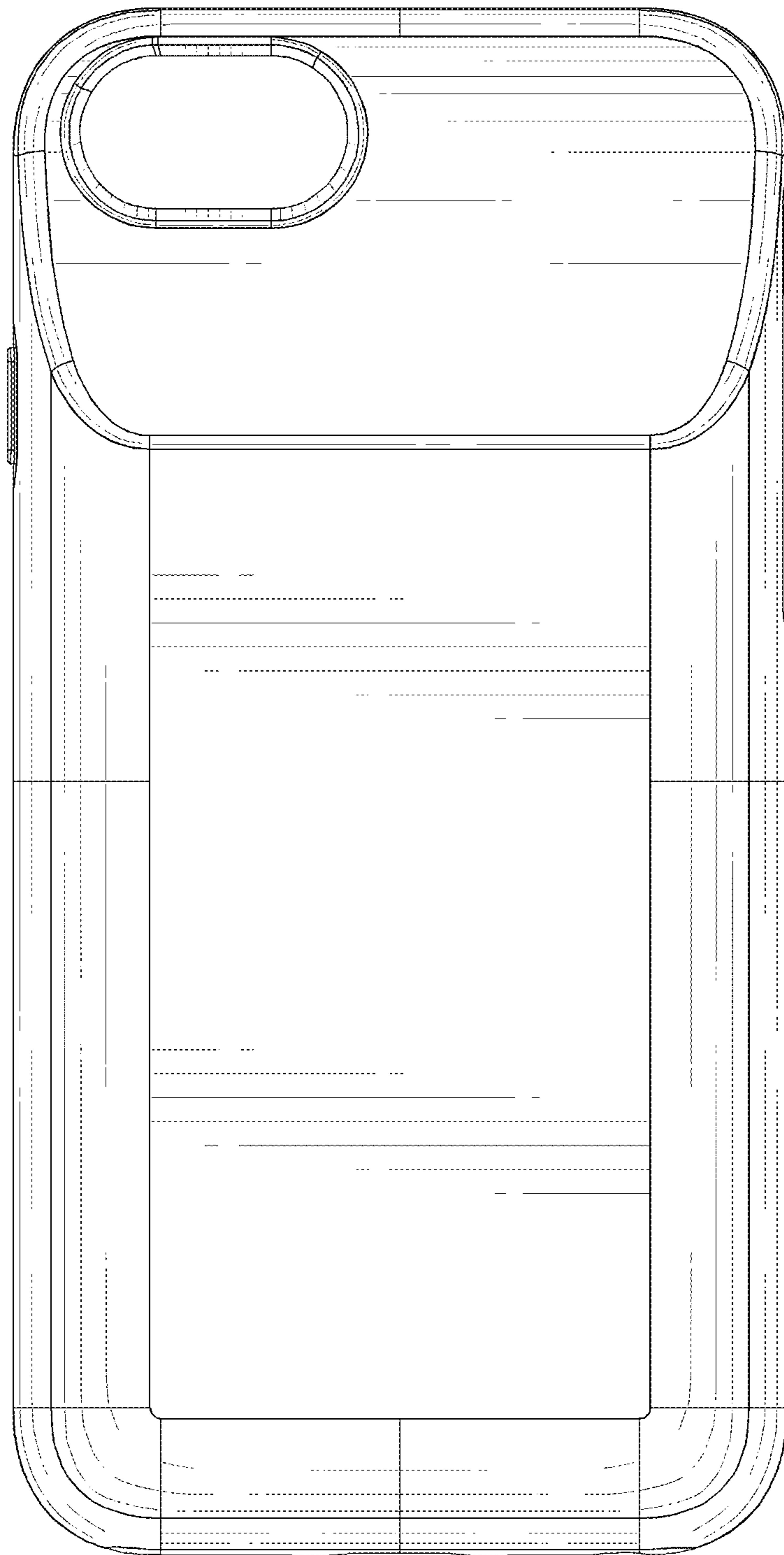


FIG. 4

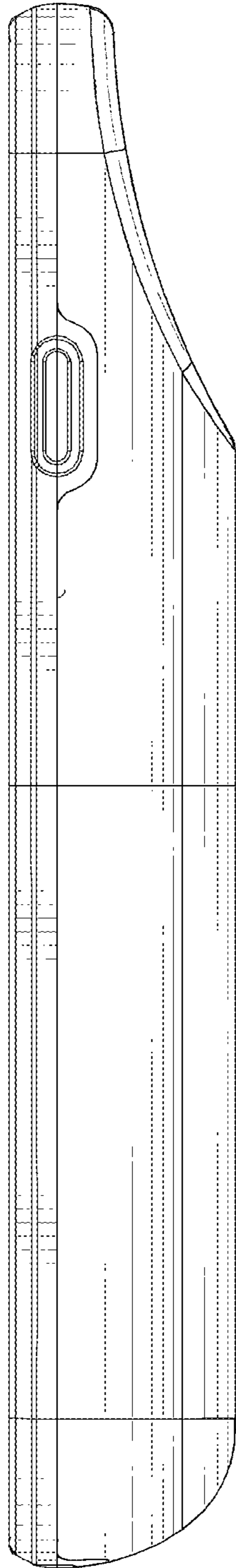


FIG. 5

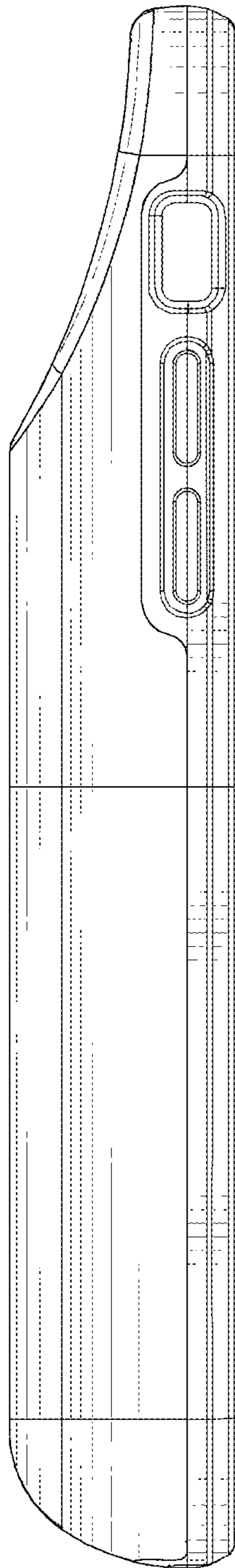


FIG. 6



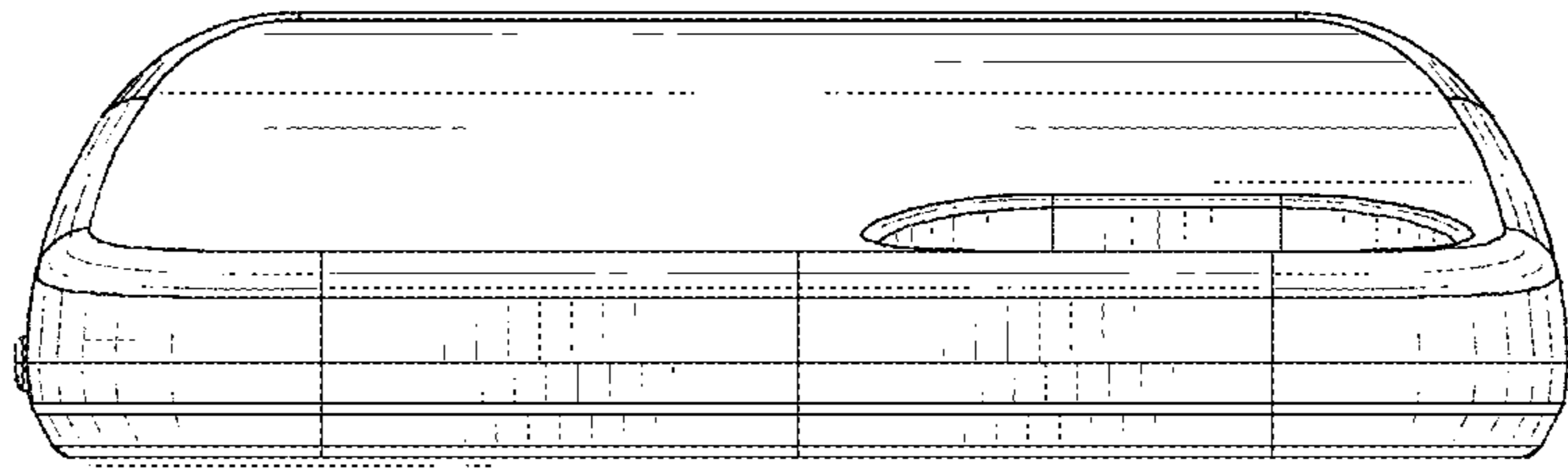


FIG. 7

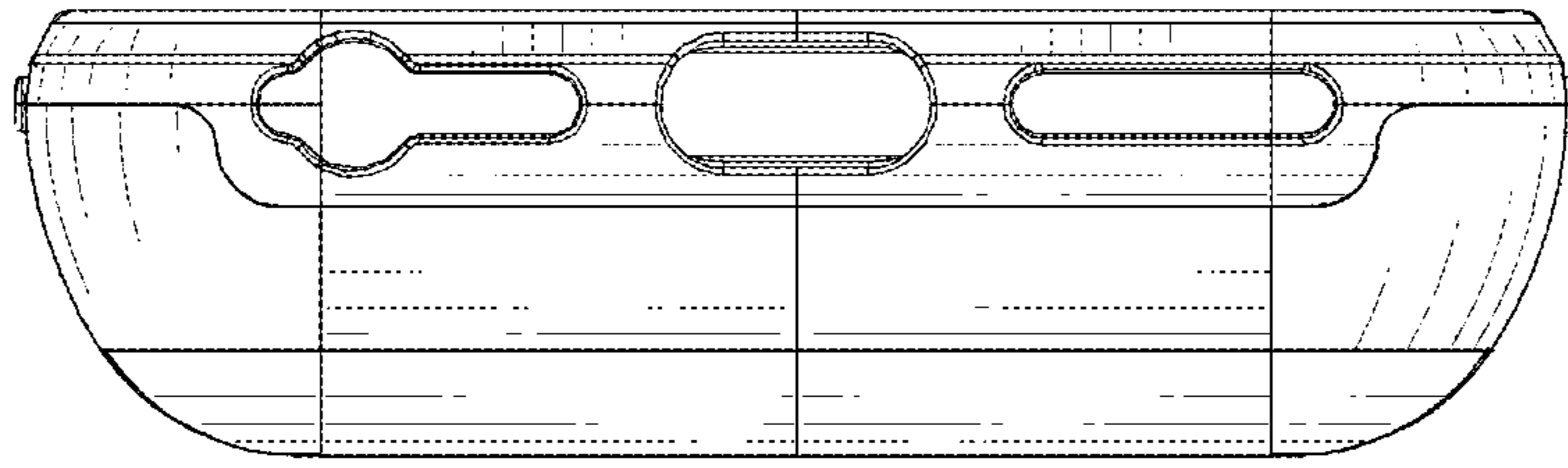


FIG. 8