



US00D930638S

(12) **United States Design Patent** (10) **Patent No.:** **US D930,638 S**
Merenda (45) **Date of Patent:** **** Sep. 14, 2021**

(54) **PROTECTIVE CASE FOR A MOBILE COMMUNICATION DEVICE**
(71) Applicant: **ADVANCE ACCESS TECHNOLOGIES LLC**, New York, NY (US)
(72) Inventor: **John T. Merenda**, Brooklyn, NY (US)
(73) Assignee: **ADVANCED ACCESS TECHNOLOGIES LLC**, Brooklyn, NY (US)

D434,739 S 12/2000 Hanna et al.
6,301,487 B1 10/2001 Nakamura
6,542,757 B2 4/2003 Bae
6,633,770 B1 10/2003 Gitzinger et al.
6,712,304 B1 3/2004 Taylor
6,731,956 B2 5/2004 Hanna et al.
D510,722 S 10/2005 Kosiba et al.
7,032,728 B2 4/2006 Harcourt
7,086,512 B2 8/2006 Shack et al.
7,180,735 B2 2/2007 Thomas et al.
D543,197 S 5/2007 Loughnane

(Continued)

(**) Term: **15 Years**
(21) Appl. No.: **29/691,391**
(22) Filed: **May 15, 2019**
(51) **LOC (13) Cl.** **14-03**
(52) **U.S. Cl.**
USPC **D14/250**
(58) **Field of Classification Search**
USPC D14/217, 238.1, 240, 248, 250, 251–253,
D14/439, 440, 447; D13/107–108, 103,
D13/119; D3/201, 269, 273, 301, 218,
D3/247, 303
CPC H04B 1/3888; H04M 1/0283; H04M
1/0202; A45C 1/06; A45C 11/00; A45C
13/02; A45C 2011/002; A45F 2005/026;
A45F 2200/0525; A45F 2200/0516
See application file for complete search history.

OTHER PUBLICATIONS

“2 in 1 Phone Case Compatible with iPhone Xs and AirPods [. . .]” [online]. DALINBA. [Product first available on Nov. 3, 2019]. Retrieved from the Internet: <<https://www.amazon.com/dp/B07ZY2D5GR>>.*

(Continued)

Primary Examiner — Mojtaba Tehrani
(74) *Attorney, Agent, or Firm* — Im IP Law; Chai Im; C. Andrew Im

(57) **CLAIM**

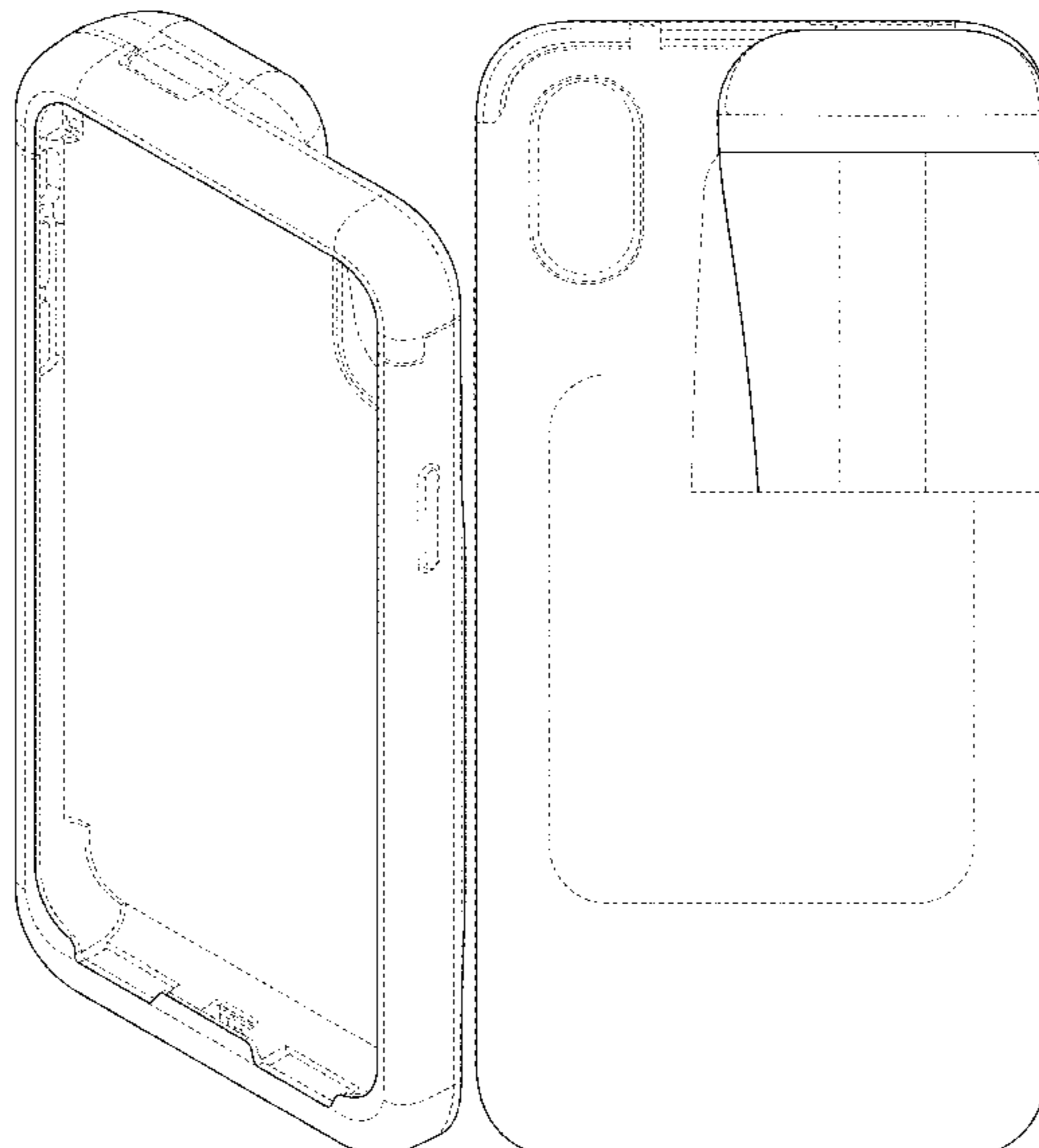
The ornamental design for a protective case for a mobile communication device, as shown and described.

DESCRIPTION

FIG. 1 is a front perspective view of a protective case for a mobile communication device, showing my new design; FIG. 2 is a front view thereof; FIG. 3 is a back view thereof; FIG. 4 is a right-side view thereof; FIG. 5 is a left-side view thereof; FIG. 6 is a top view thereof; and, FIG. 7 is a bottom view thereof. All broken lines depict unclaimed portions of the article and form no part of the claimed design.

1 Claim, 5 Drawing Sheets

(56) **References Cited**
U.S. PATENT DOCUMENTS
4,584,718 A 4/1986 Fuller
D301,034 S 5/1989 Fujita et al.
4,942,617 A 7/1990 Boylan
5,422,957 A 6/1995 Cummins
D397,246 S 8/1998 Hoofnagle et al.
D414,178 S 9/1999 Loubert et al.
D427,170 S 6/2000 Edwards et al.



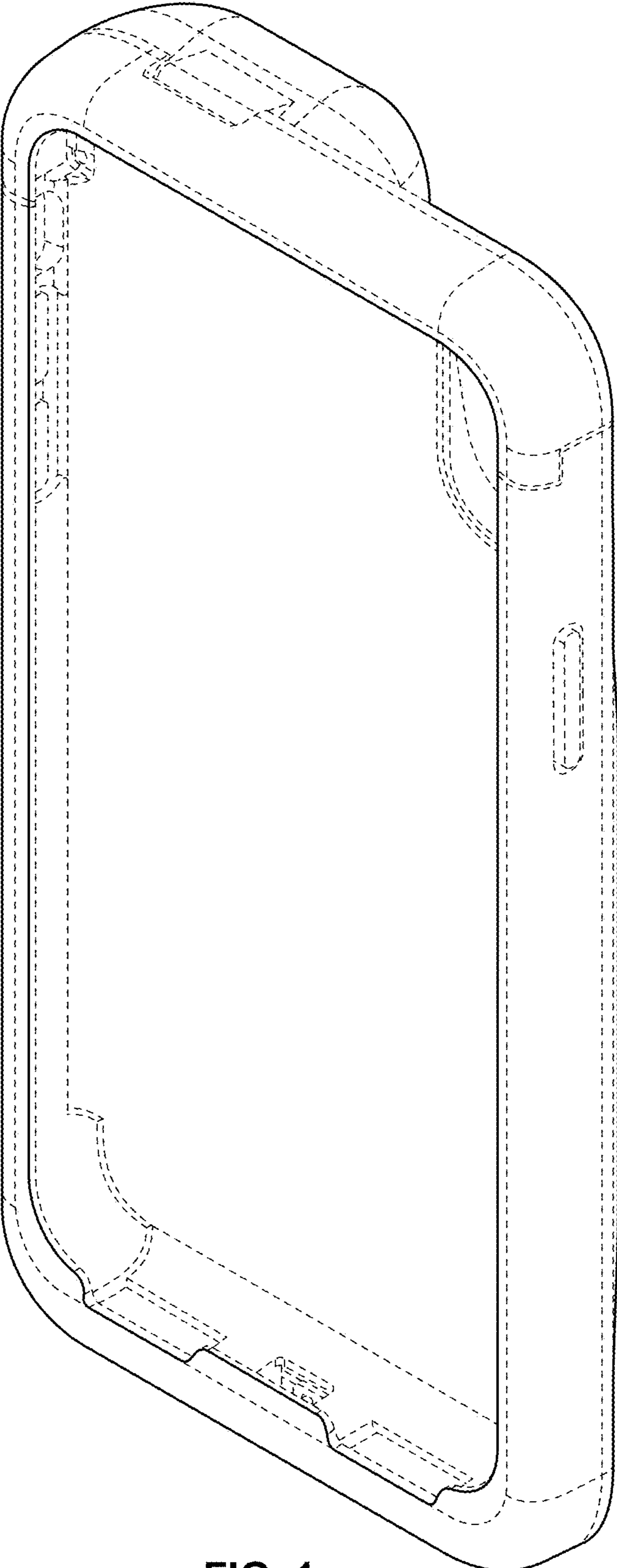


FIG. 1

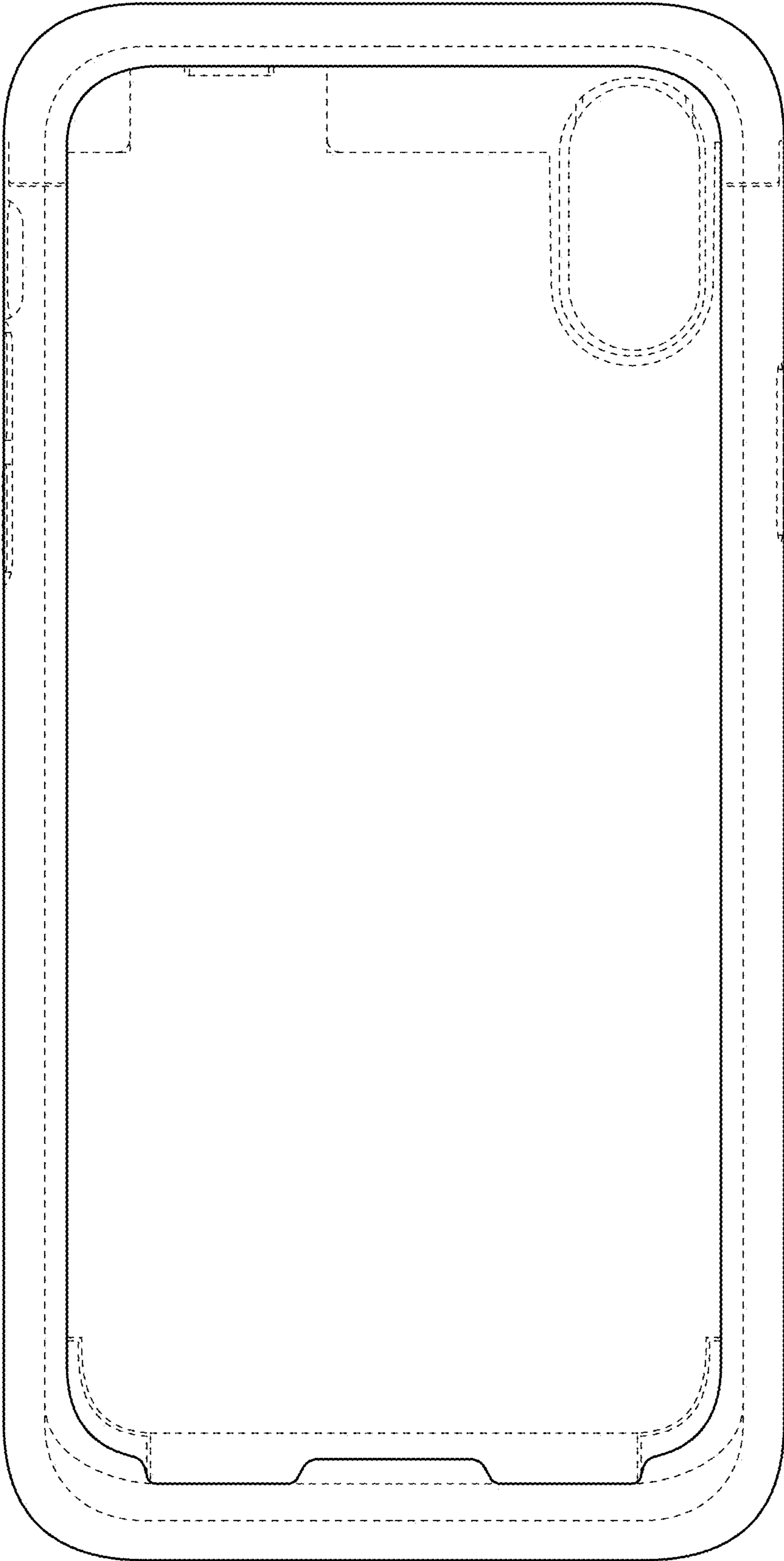


FIG. 2

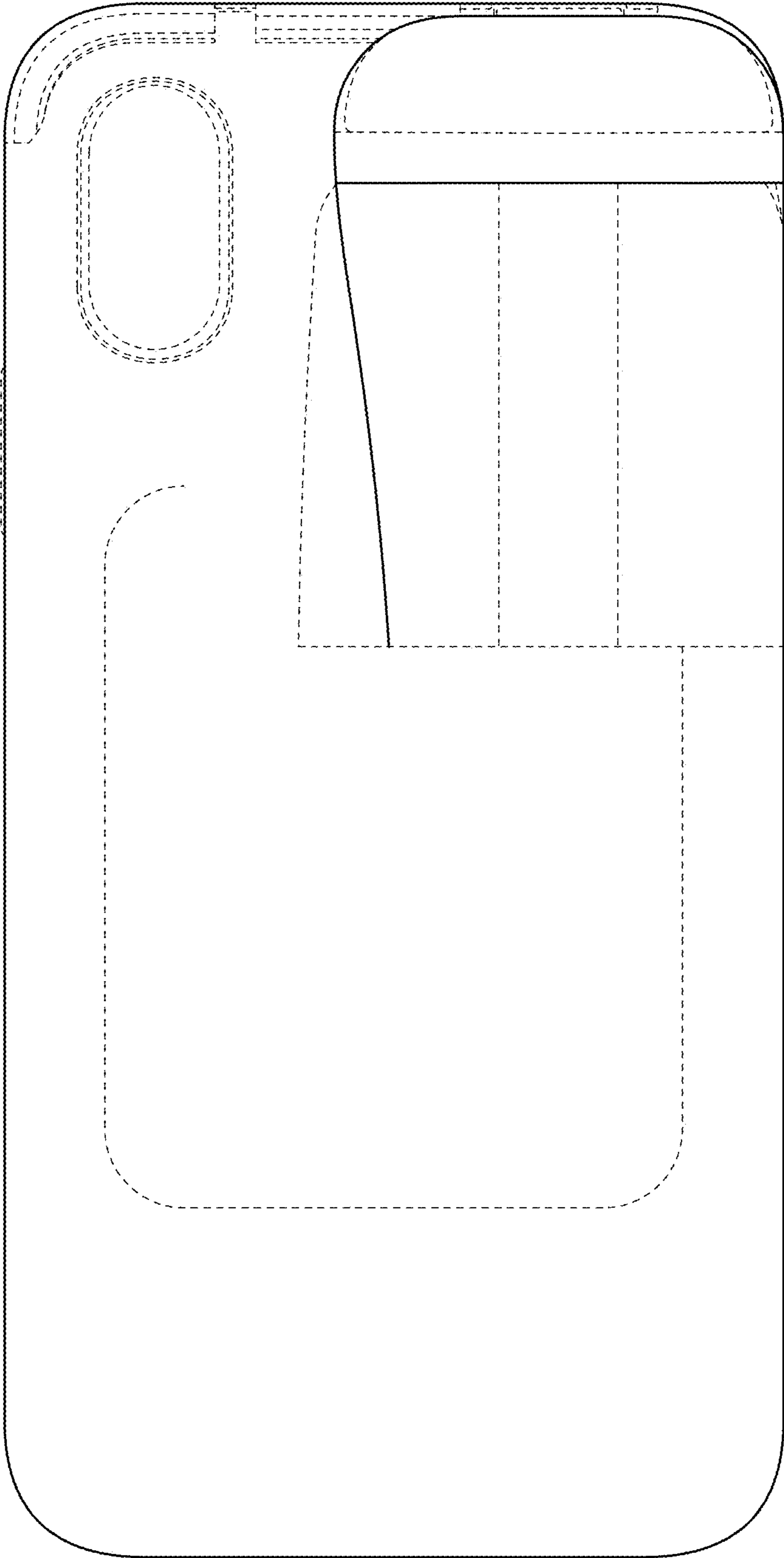


FIG. 3

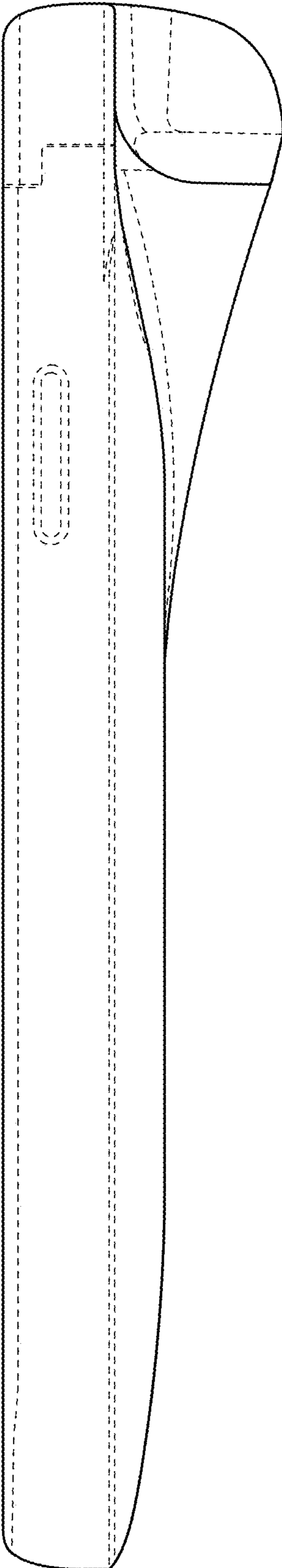


FIG. 4

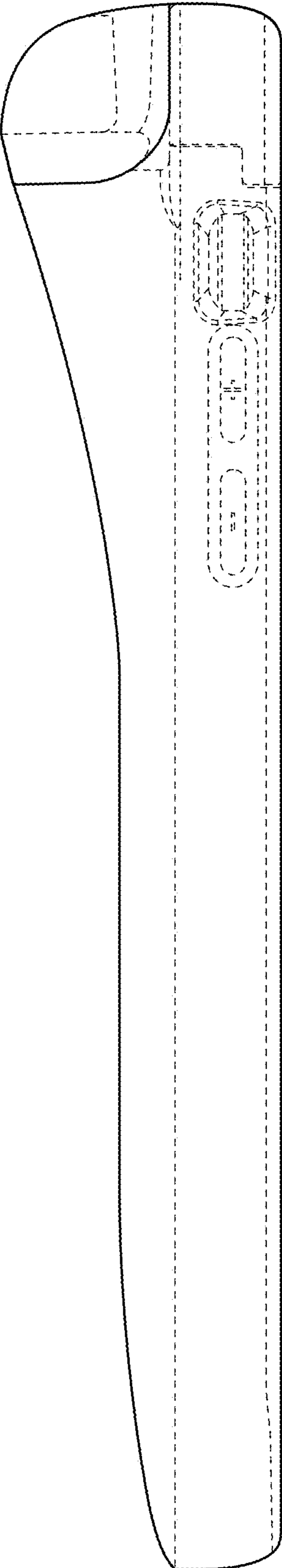


FIG. 5

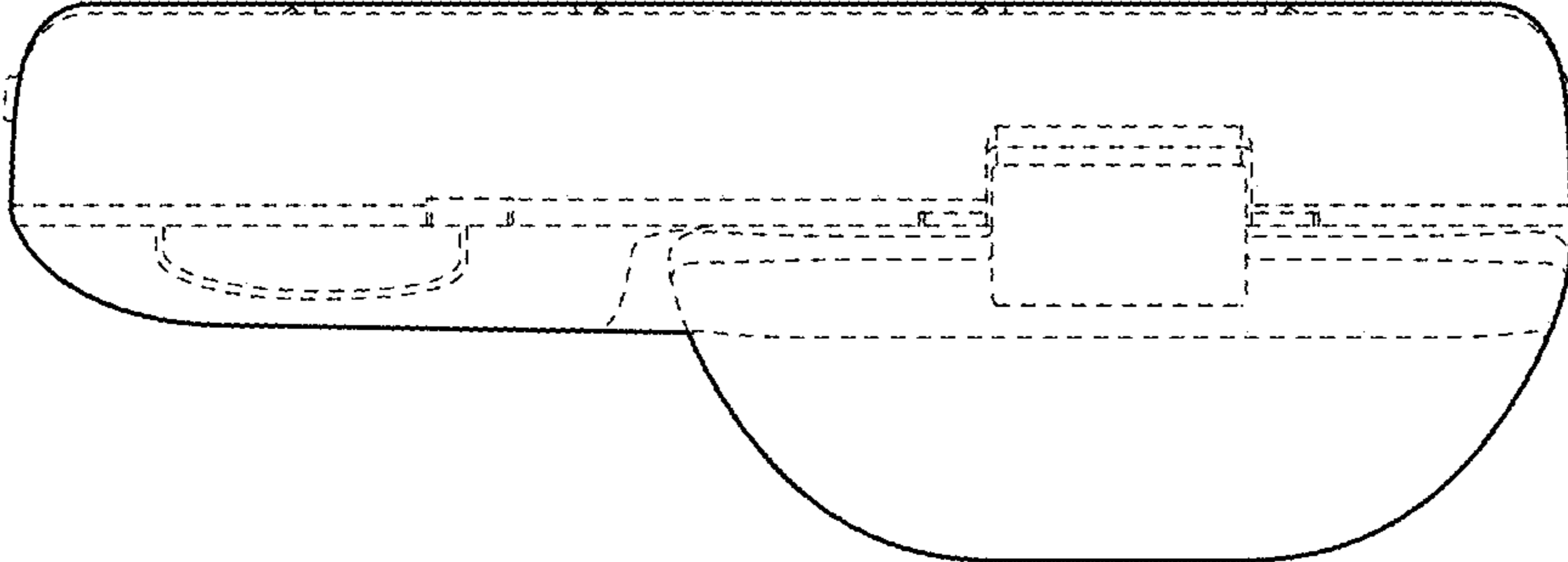


FIG. 6

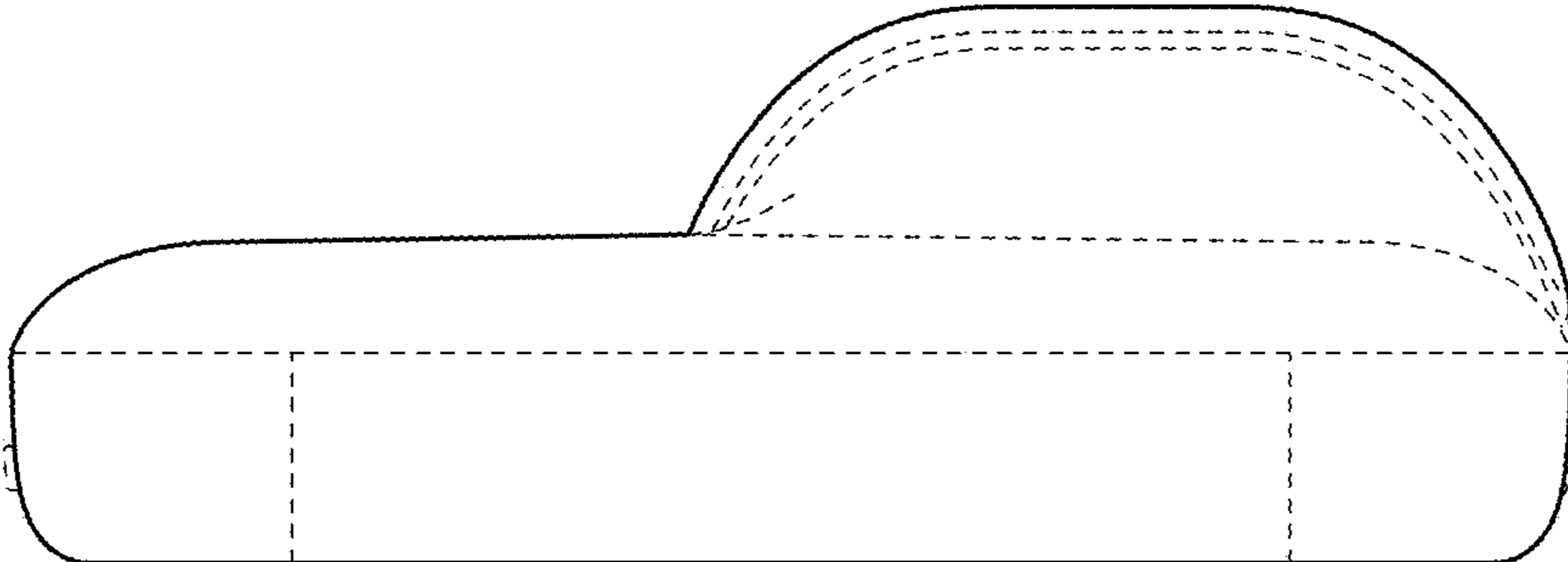


FIG. 7