

US00D930637S

(12) **United States Design Patent**
Griffin, Jr.

(10) **Patent No.:** **US D930,637 S**

(45) **Date of Patent:** **** Sep. 14, 2021**

(54) **CELL PHONE CASE WITH INTEGRAL SCANNER AND REMOVABLE BATTERY**

(71) Applicant: **Paul P. Griffin, Jr.**, Nashville, TN (US)

(72) Inventor: **Paul P. Griffin, Jr.**, Nashville, TN (US)

(**) Term: **15 Years**

(21) Appl. No.: **29/659,227**

(22) Filed: **Aug. 7, 2018**

(51) **LOC (13) Cl.** **14-03**

(52) **U.S. Cl.**
USPC **D14/250**; D14/426

(58) **Field of Classification Search**

USPC D3/201, 212, 218, 226, 227, 247, 249,
D3/250, 269, 303; D13/103, 107, 108,
D13/119; D14/128–130, 137, 138 R,
D14/138 AA, 138 C, 138 G, 172, 192,
D14/203.3–203.7, 217, 238.1, 247, 248,
D14/250–253, 345, 420, 426, 427, 434,
D14/440, 447, 496; D21/332
CPC H04B 1/3888; H04M 1/0283; H04M
1/0202; A45C 1/06; A45C 2011/002;
A45C 11/00; A45F 2005/028; A45F
2200/0525

See application file for complete search history.

(56) **References Cited**

U.S. PATENT DOCUMENTS

D667,823 S *	9/2012	Merenda	D14/250
D690,347 S *	9/2013	Zhao	D16/225
D690,348 S *	9/2013	Zhao	D16/225
D698,772 S *	2/2014	Merenda	D14/250
D716,285 S *	10/2014	Chaney	G06K 7/087 D14/250
D717,287 S *	11/2014	Macrina	D14/250
D719,167 S *	12/2014	Brown	D14/420
D748,085 S *	1/2016	Merenda	D14/250
D754,114 S *	4/2016	Curtis	D14/250

D754,650 S *	4/2016	Curtis	D14/250
D768,617 S *	10/2016	Merenda	D14/250
D772,857 S *	11/2016	Poon	D14/250
D776,098 S *	1/2017	Poon	D14/250
2014/0340573 A1 *	11/2014	Clawson	H04M 1/185 348/371

(Continued)

Primary Examiner — L. A. Grabenstetter

(74) *Attorney, Agent, or Firm* — Hornkohl Intellectual Property Law, PLLC; Jason L. Hornkohl

(57) **CLAIM**

The ornamental design for a cell phone case with integral scanner and removable battery, as shown and described.

DESCRIPTION

FIG. 1 is an isometric front-left view of a cell phone case with integral scanner and removable battery showing my new design;

FIG. 2 is an isometric front right view of the cell phone case with integral scanner and removable battery;

FIG. 3 is an isometric back-right view of the cell phone case with integral scanner and removable battery;

FIG. 4 is a front view of the cell phone case with integral scanner and removable battery;

FIG. 5 is a back view of the cell phone case with integral scanner and removable battery;

FIG. 6 is a left-side view of the cell phone case with integral scanner and removable battery;

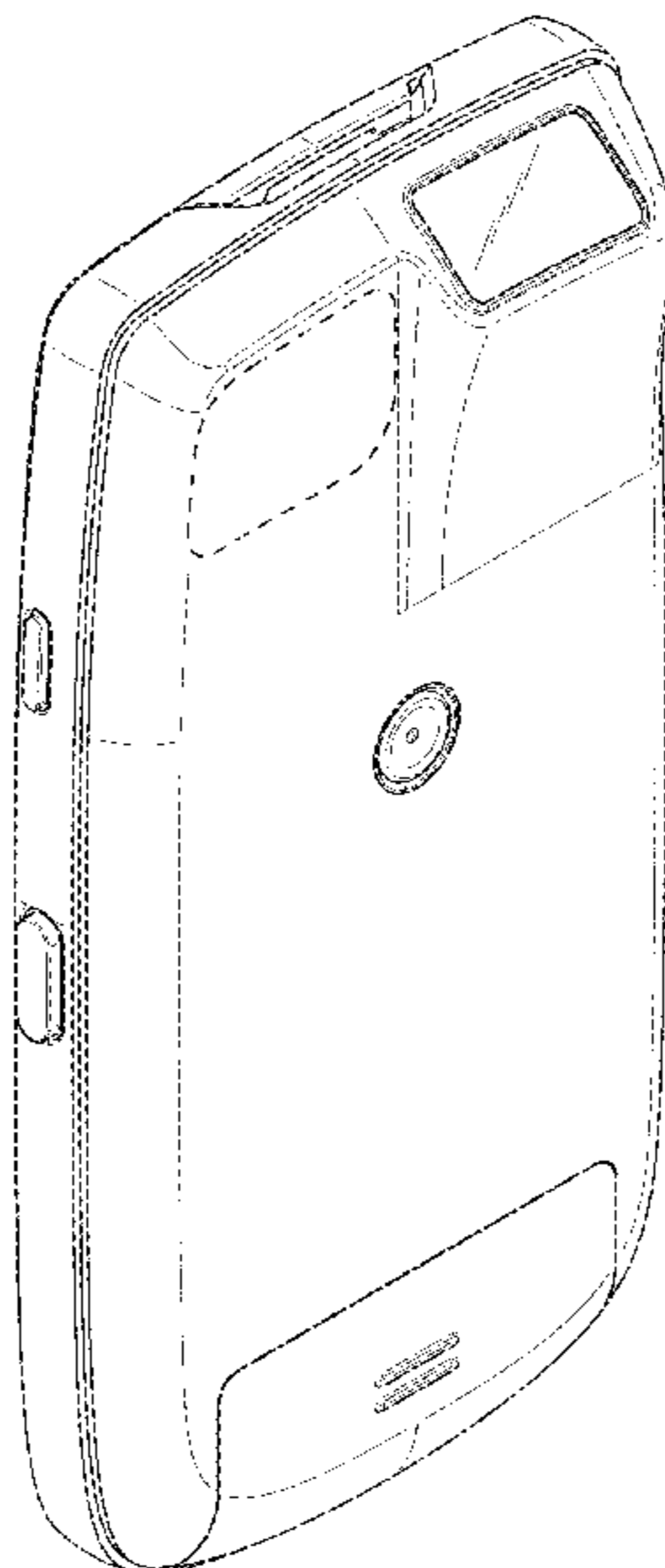
FIG. 7 is a right-side view of the cell phone case with integral scanner and removable battery;

FIG. 8 is a top view of the cell phone case with integral scanner and removable battery; and,

FIG. 9 is a bottom view of the cell phone case with integral scanner and removable battery.

The broken lines in the drawings depict portions of the cell phone case with integral scanner and removable battery that form no part of the claimed design.

1 Claim, 7 Drawing Sheets



(56)

References Cited

U.S. PATENT DOCUMENTS

2016/0077307 A1* 3/2016 Palmeri H04N 5/238
359/225.1
2017/0080251 A1* 3/2017 Yehezkel A61L 2/26
2017/0135454 A1* 5/2017 Poon A45C 11/00
2017/0277924 A1* 9/2017 Widiaman A45C 13/42
2018/0320859 A1* 11/2018 Philip A45C 15/06

* cited by examiner

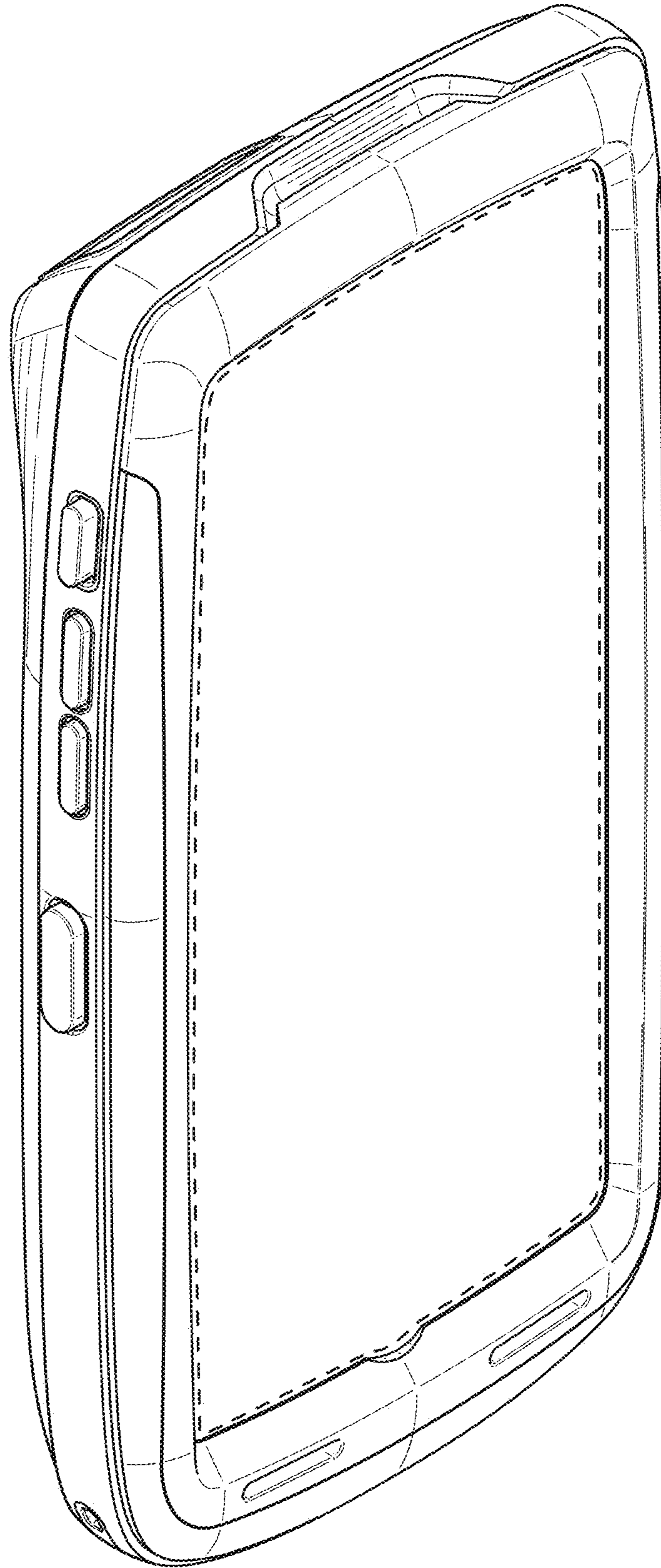


FIG. 1

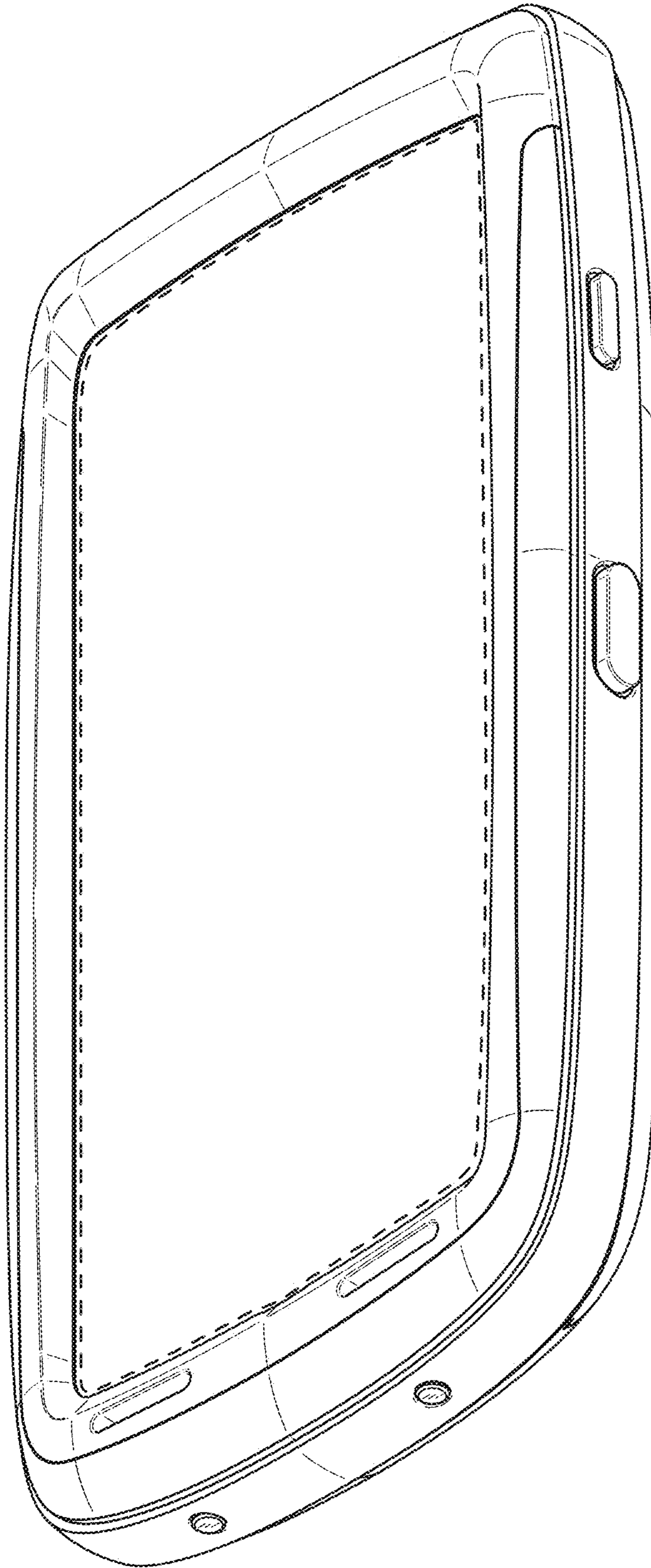


FIG. 2

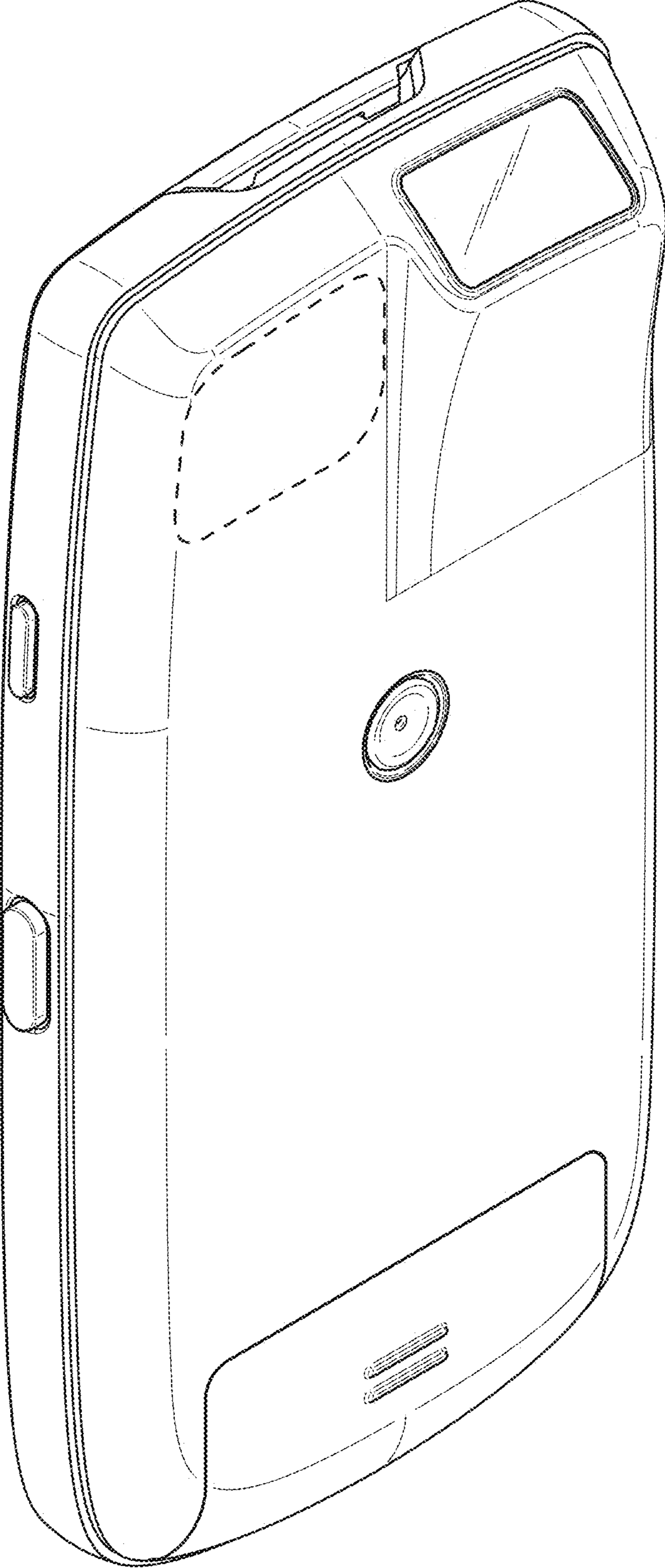


FIG. 3

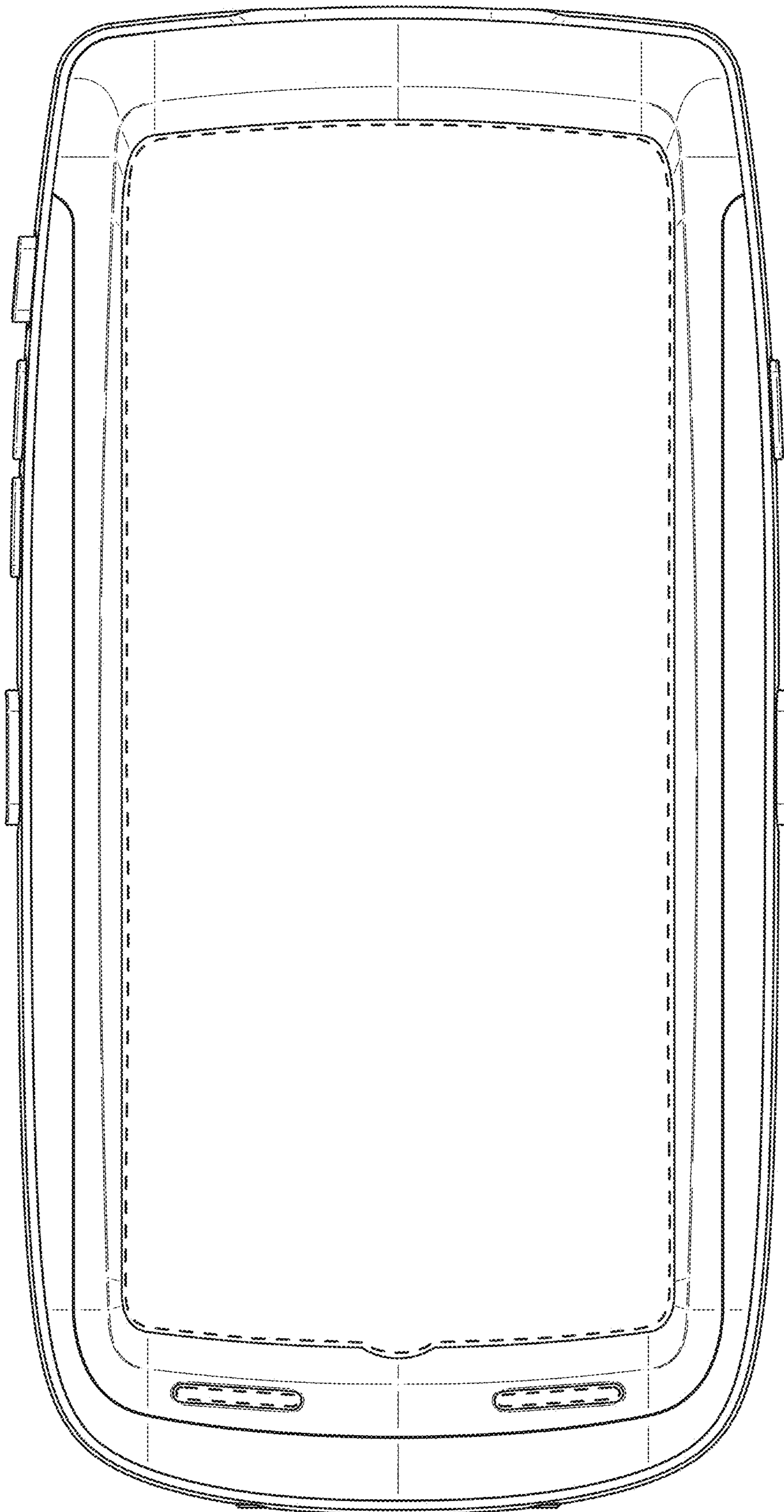


FIG. 4

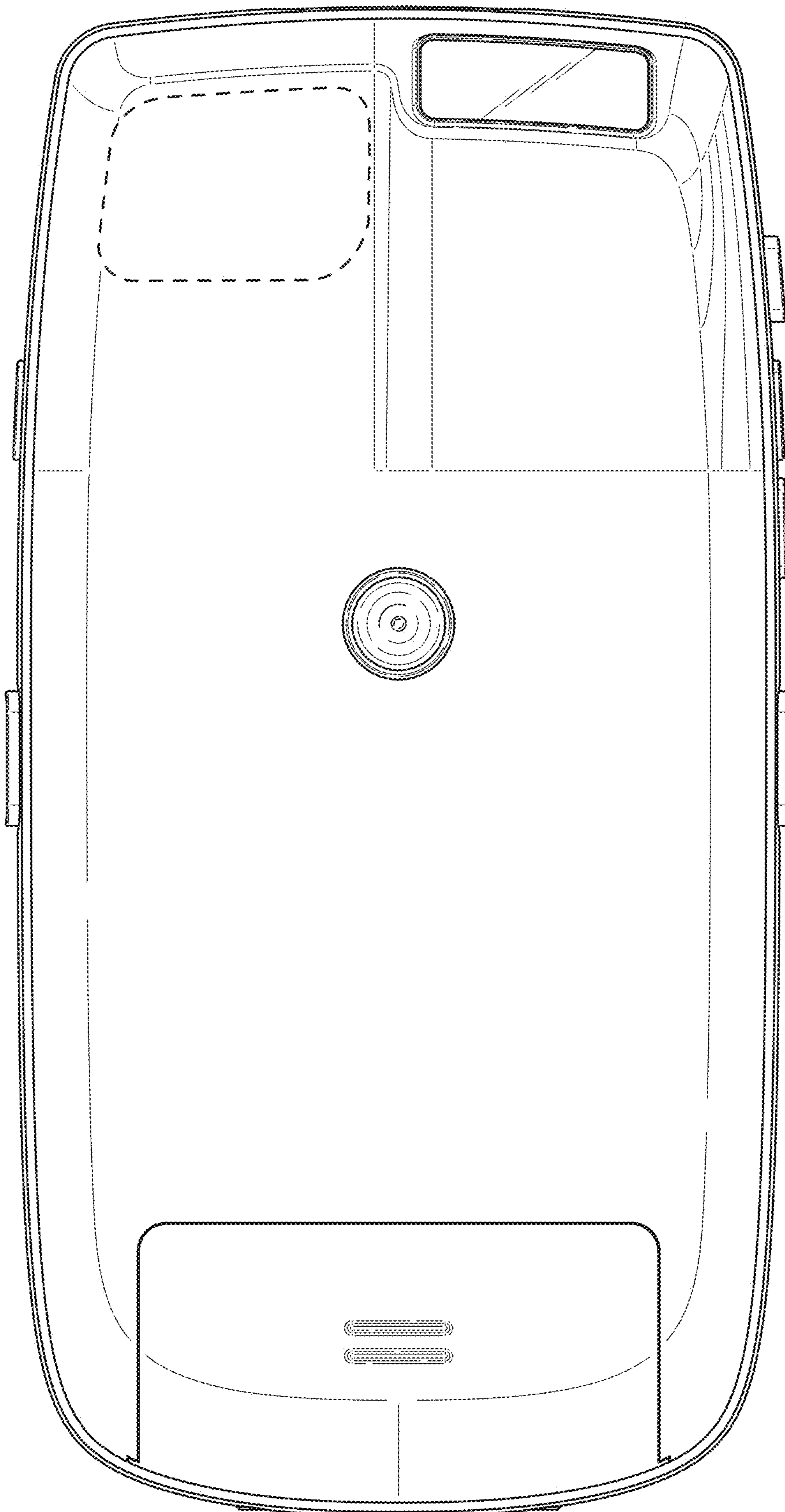


FIG. 5

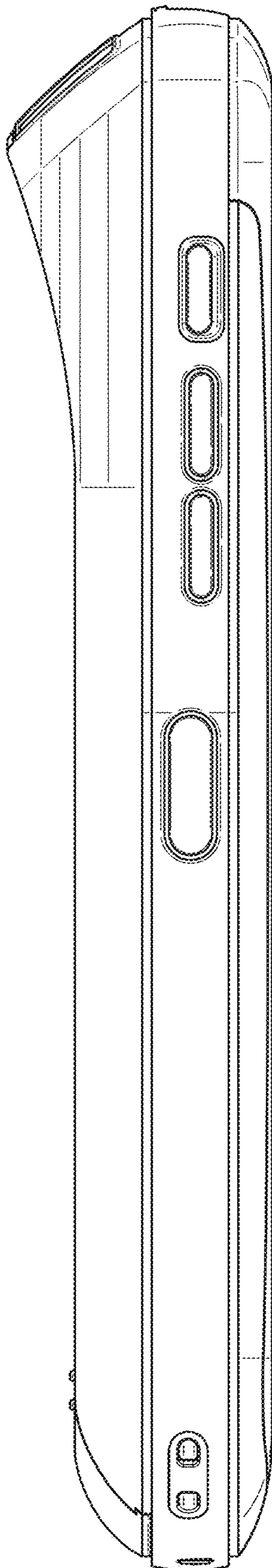


FIG. 6

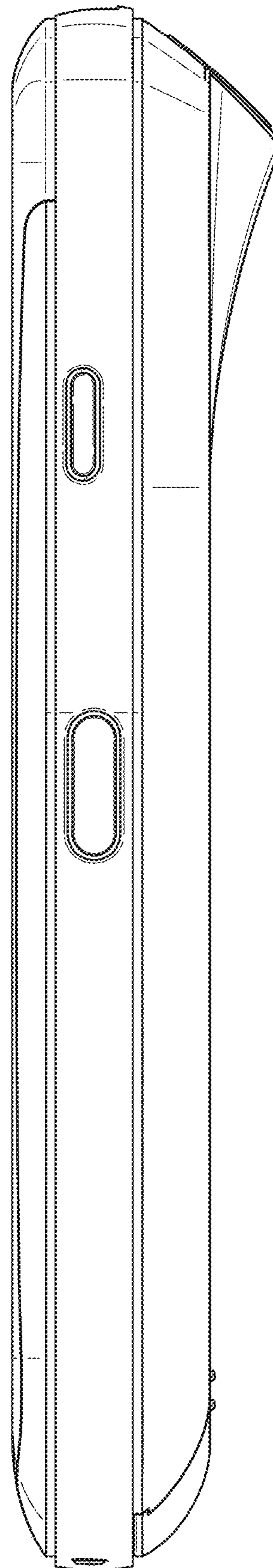


FIG. 7

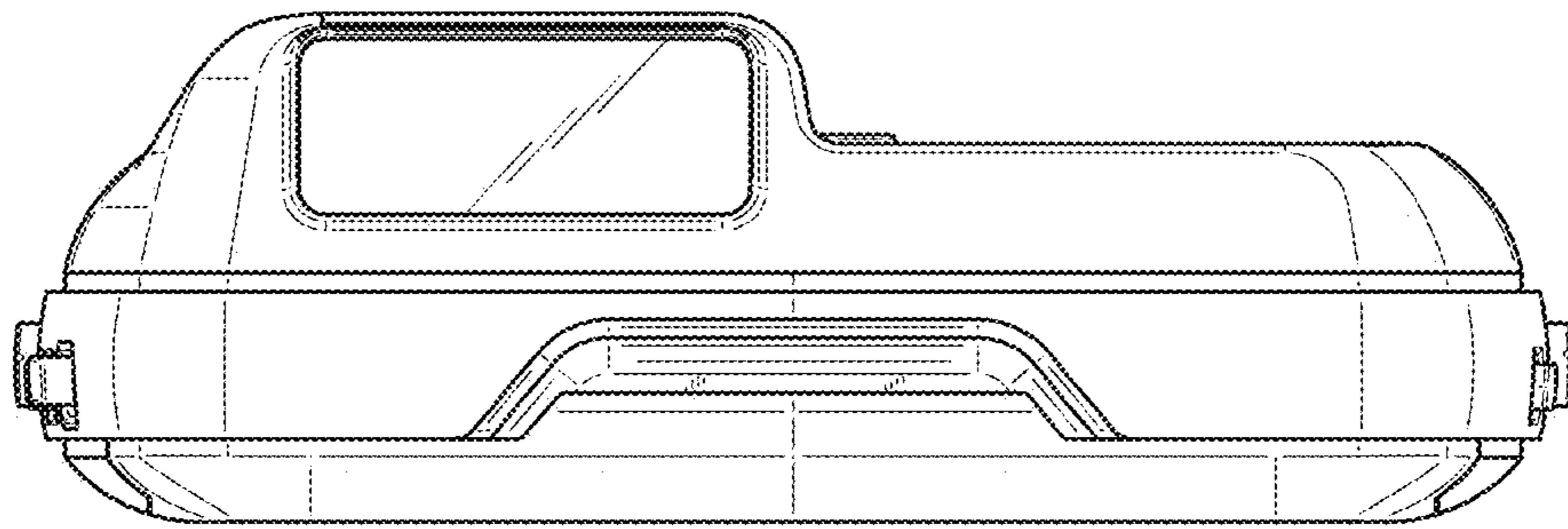


FIG. 8

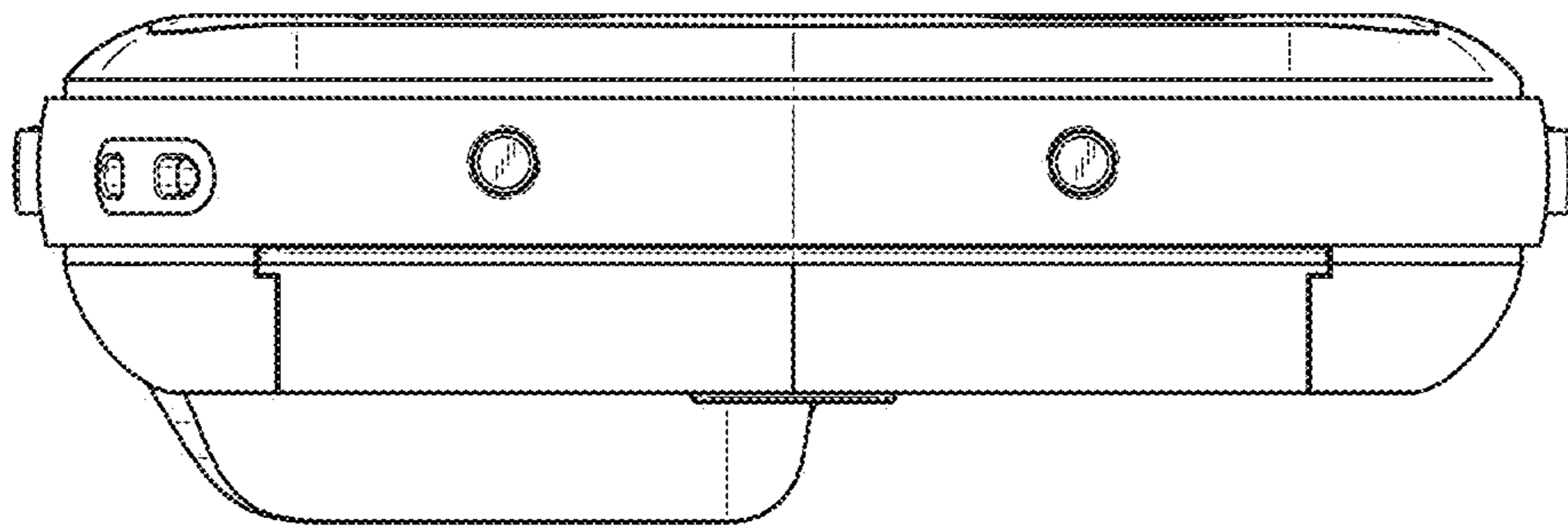


FIG. 9