



US00D930634S

(12) **United States Design Patent** (10) **Patent No.:** **US D930,634 S**  
**Azodi** (45) **Date of Patent:** **\*\* Sep. 14, 2021**

(54) **ACCESSORY FOR MOBILE PHONE CASE**

(71) Applicant: **Innovative Music, LLC**, Las Vegas, NV (US)

(72) Inventor: **Shervin Azodi**, Irvine, CA (US)

(73) Assignee: **Innovative Music, LLC**, Las Vegas, NV (US)

(\*\*) Term: **15 Years**

(21) Appl. No.: **29/648,923**

(22) Filed: **May 24, 2018**

**Related U.S. Application Data**

(62) Division of application No. 29/574,179, filed on Aug. 12, 2016, now Pat. No. Des. 821,381.

(51) **LOC (13) Cl.** ..... **14-03**

(52) **U.S. Cl.**  
USPC ..... **D14/250**

(58) **Field of Classification Search**  
USPC ..... D14/143, 189, 203.2-203.7, 217, 238.1, D14/240, 248, 250-253, 440, 447, 496; D3/201, 218, 247-251, 269, 273, 301, D3/303; D13/103, 107-108, 119  
CPC ..... A45C 1/06; A45C 11/00; A45C 13/02; A45C 2011/002; A45F 2005/026; A45F 2200/0525; A45F 2200/0516; H04B 1/3888; H04M 1/0283; H04M 1/0202  
See application file for complete search history.

(56) **References Cited**

**U.S. PATENT DOCUMENTS**

D398,521 S *	9/1998	Coe	.....	D3/203.3
D407,856 S *	4/1999	Orsomando	.....	D28/83
D410,769 S *	6/1999	Dorizas	.....	D3/201
D411,648 S *	6/1999	Markham	.....	D28/77
D570,095 S *	6/2008	Ullersted	.....	D3/203.2
D589,699 S	4/2009	Silvera		

(Continued)

**OTHER PUBLICATIONS**

Design U.S. Appl. No. 29/574,179, filed Aug. 12, 2016, Shervin.

(Continued)

*Primary Examiner* — Sheryl Lane

*Assistant Examiner* — Aula Soroush

(74) *Attorney, Agent, or Firm* — Knobbe Martens Olson & Bear, LLP

(57) **CLAIM**

The ornamental design for an accessory for mobile phone case, as shown and described.

**DESCRIPTION**

FIG. 1 is a right front perspective view of an embodiment of an accessory for mobile phone case embodying the new design in a closed configuration.

FIG. 2 is a left rear perspective view thereof.

FIG. 3 is a front elevation view thereof.

FIG. 4 is a rear elevation view thereof.

FIG. 5 is a right side elevation view thereof.

FIG. 6 is a left side elevation view thereof.

FIG. 7 is a top plan view thereof.

FIG. 8 is a bottom plan view thereof.

FIG. 9 is a right front perspective view of an accessory for mobile phone case according to FIG. 1 in an open configuration.

FIG. 10 is a left rear perspective view thereof.

FIG. 11 is a front elevation view thereof.

FIG. 12 is a rear elevation view thereof.

FIG. 13 is a left side elevation view thereof.

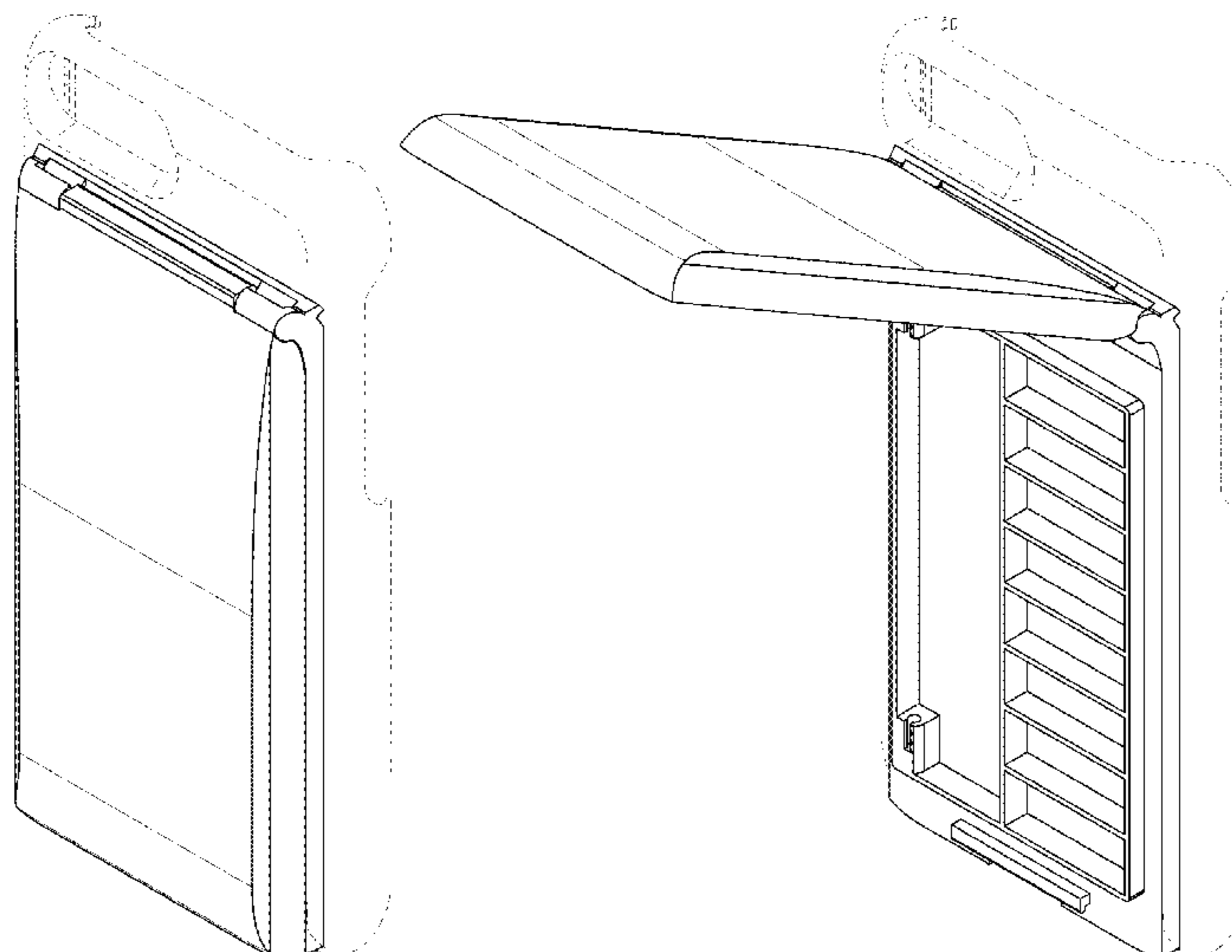
FIG. 14 is a right side elevation view thereof.

FIG. 15 is a top plan view thereof; and,

FIG. 16 is a bottom plan view thereof.

The broken lines in the drawings illustrate portions of the accessory for mobile phone case that form no part of the claimed design.

**1 Claim, 14 Drawing Sheets**



(56)

**References Cited**

## U.S. PATENT DOCUMENTS

D590,151 S 4/2009 Karobkina et al.  
D594,599 S \* 6/2009 Thorpe ..... D28/83  
D637,591 S \* 5/2011 Willes ..... D14/250  
D688,831 S \* 8/2013 Giardina ..... D28/83  
D694,009 S \* 11/2013 D'Amore et al. .... D3/249  
D697,716 S 1/2014 Owen  
D706,536 S \* 6/2014 Nikosey ..... D3/247  
D707,965 S \* 7/2014 Requa ..... D3/247  
D714,058 S \* 9/2014 Owen ..... D3/247  
D714,770 S \* 10/2014 Nolan ..... D14/250  
D719,950 S 12/2014 Smith et al.  
D722,724 S \* 2/2015 Guor ..... D28/83  
D726,171 S 4/2015 Edwards  
D759,966 S 6/2016 Pignotti  
D765,632 S \* 9/2016 Northrup ..... D14/250  
D772,212 S 11/2016 Daniel et al.  
D779,471 S \* 2/2017 Tien ..... D14/250  
D793,379 S 8/2017 Zhang  
D823,291 S \* 7/2018 Akana ..... D14/250  
D834,571 S \* 11/2018 Ravid ..... D14/250  
D835,089 S \* 12/2018 Nelson ..... D14/250

## OTHER PUBLICATIONS

The Pout Case Has a Built-In Slide-Out Drawer for Makeup, posted at trendhunter.com, date posted Jun. 12, 2017, [online], acquired on Jan. 2, 2018. Available from Internet, <https://www.trendhunter.com/trends/pout-case>, 2017.

MedeStat to crowdfund a pillbox case, posted at mobihealthnews.com, date posted Apr. 8, 2014, [online], acquired on Jan. 2, 2018. Available from Internet, <http://www.mobihealthnews.com/31849/medestat-to-crowdfund-a-pillbox-case-for-smartphones>, 2014.

\* cited by examiner

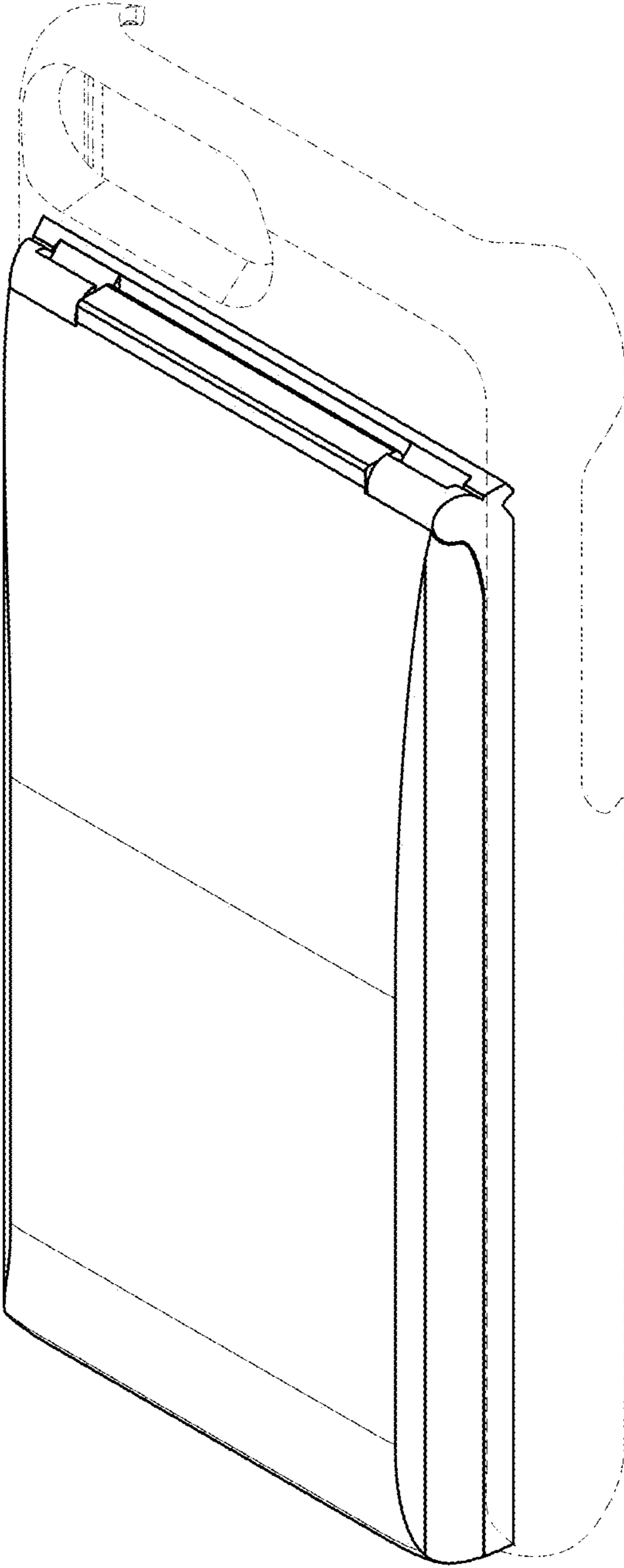


FIG. 1

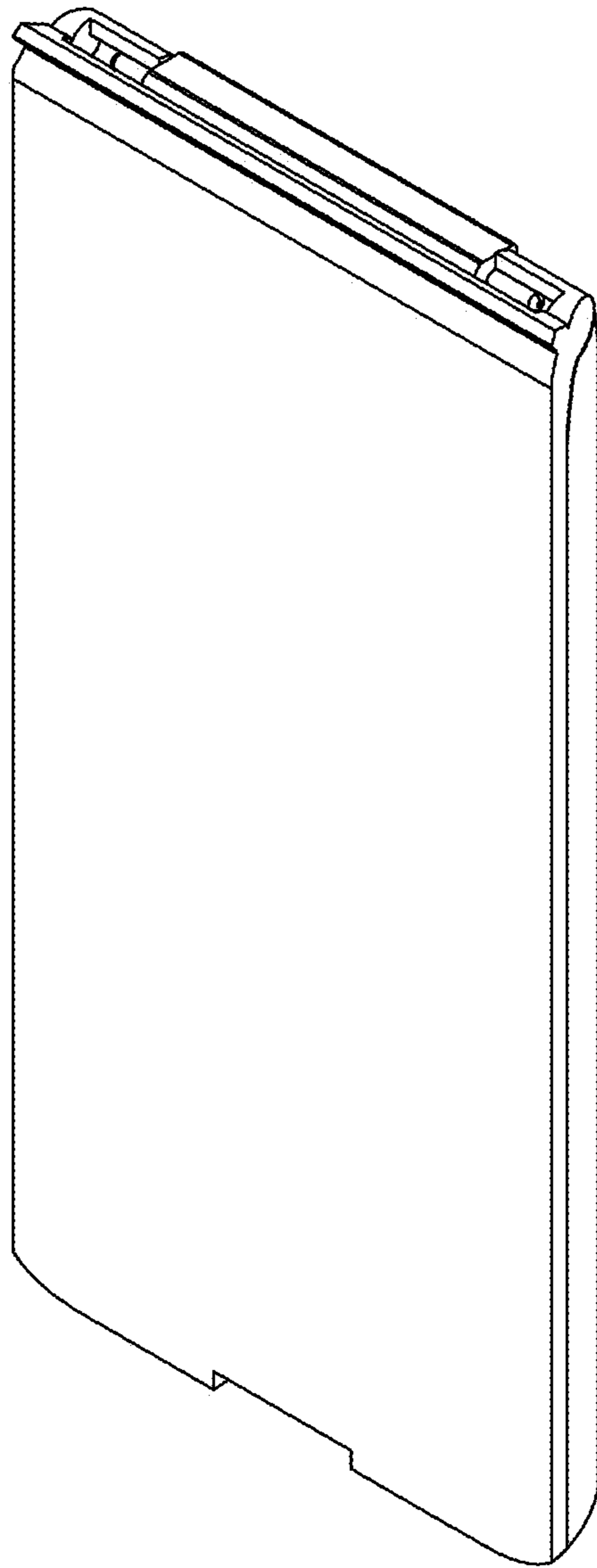


FIG. 2

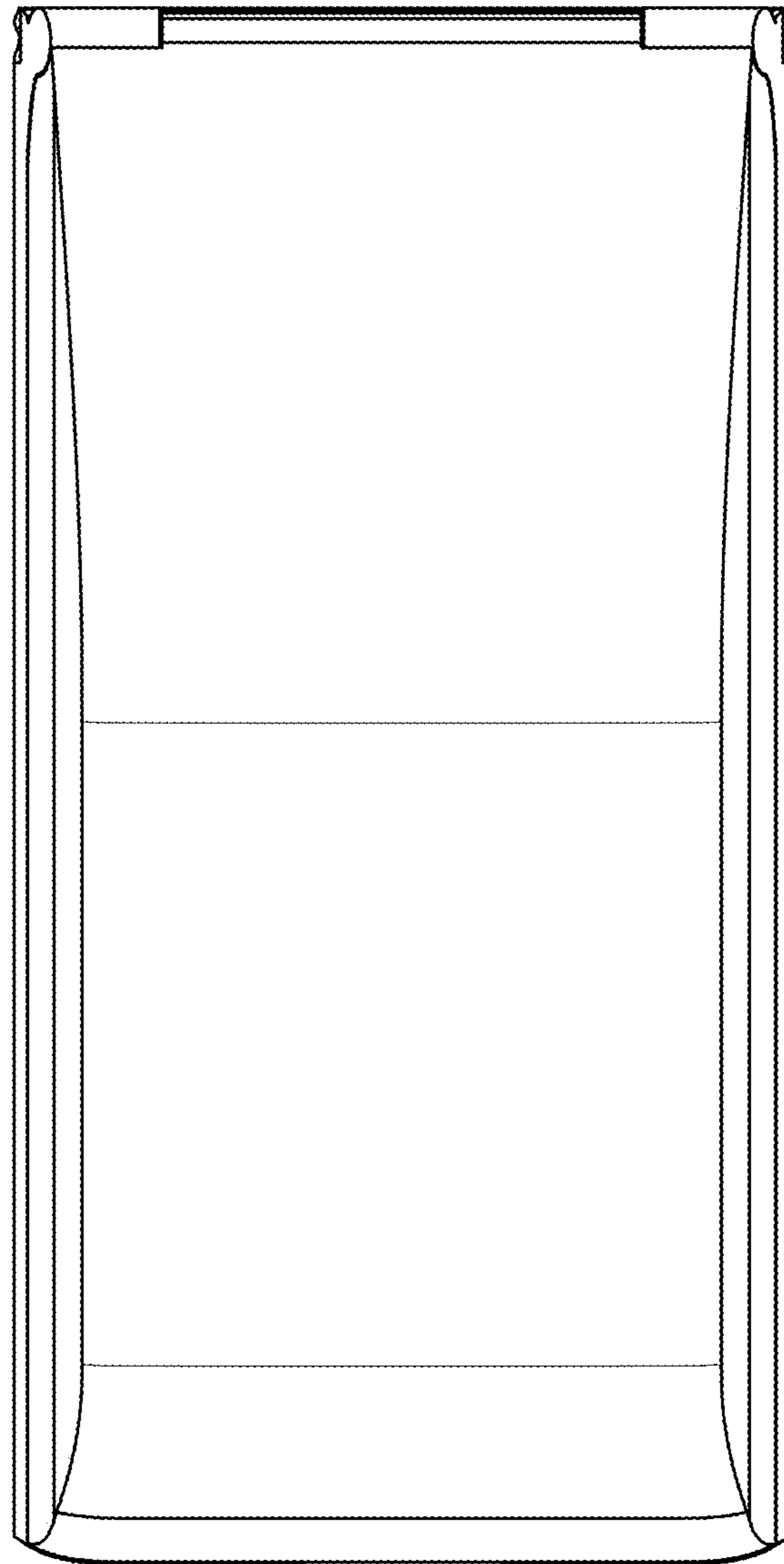


FIG. 3



FIG. 4

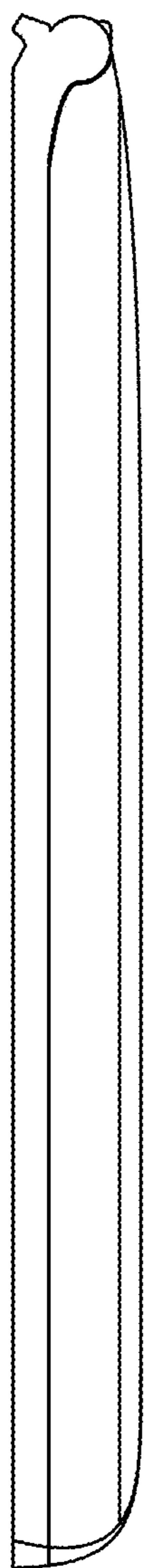


FIG. 5

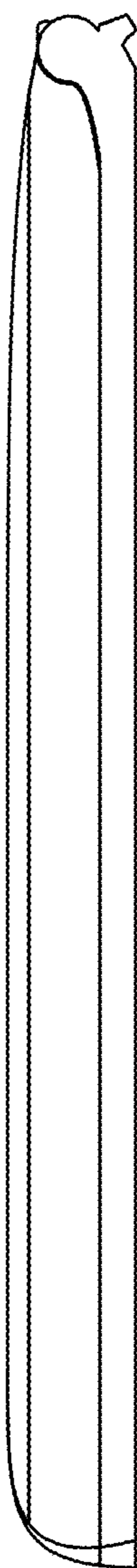


FIG. 6

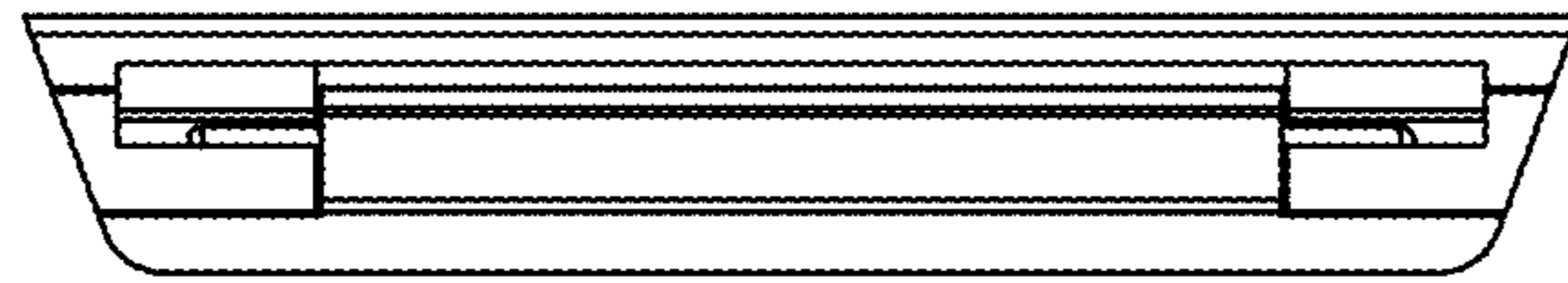


FIG. 7

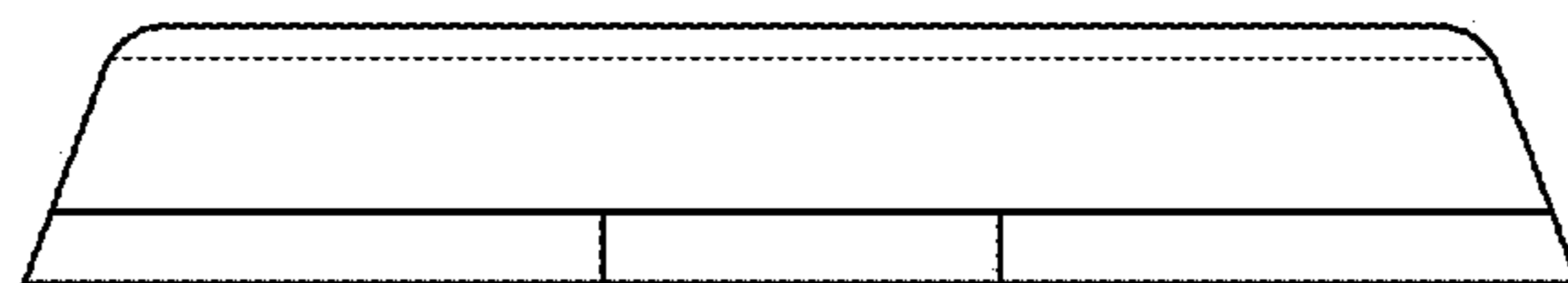


FIG. 8



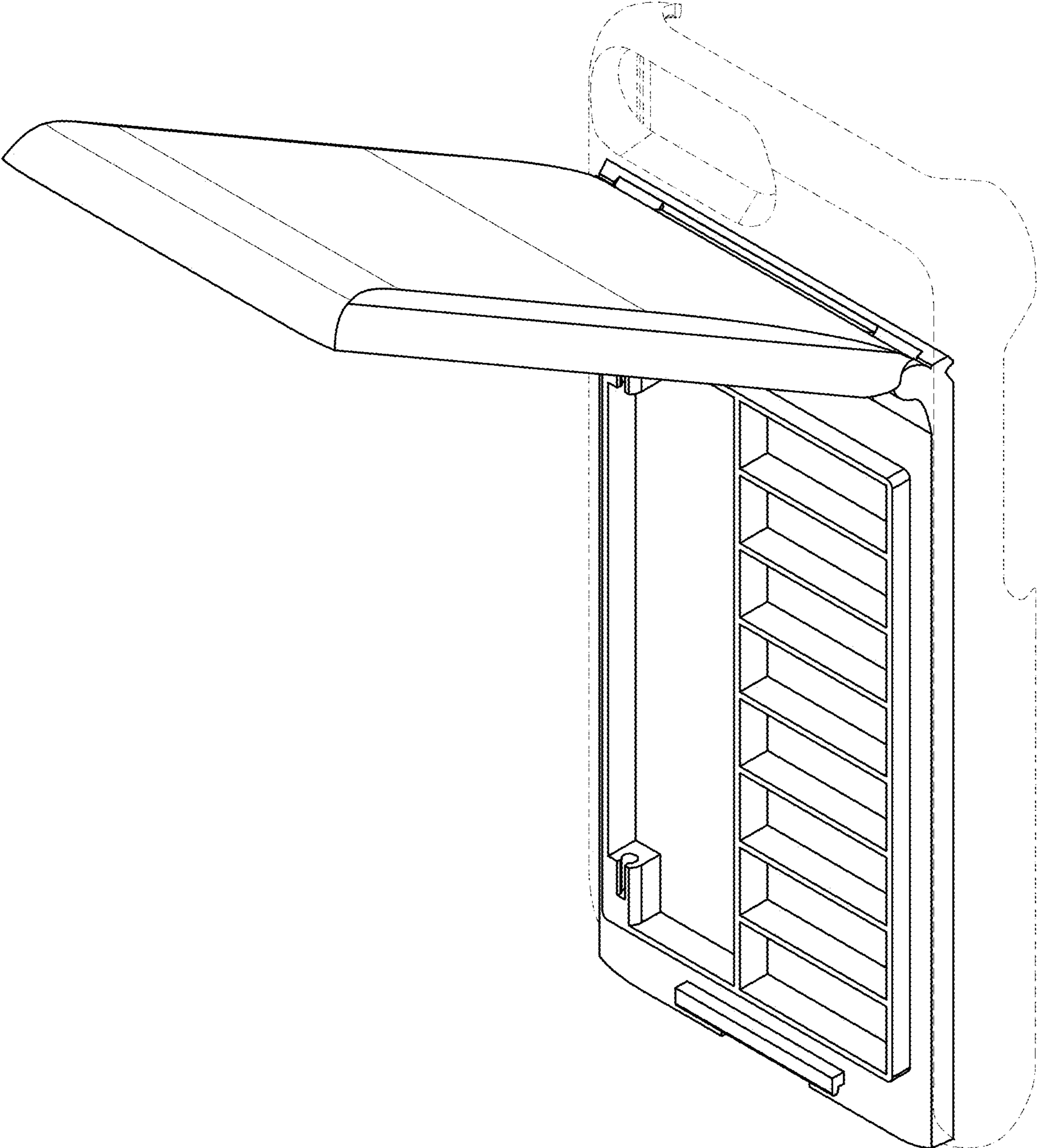


FIG. 9

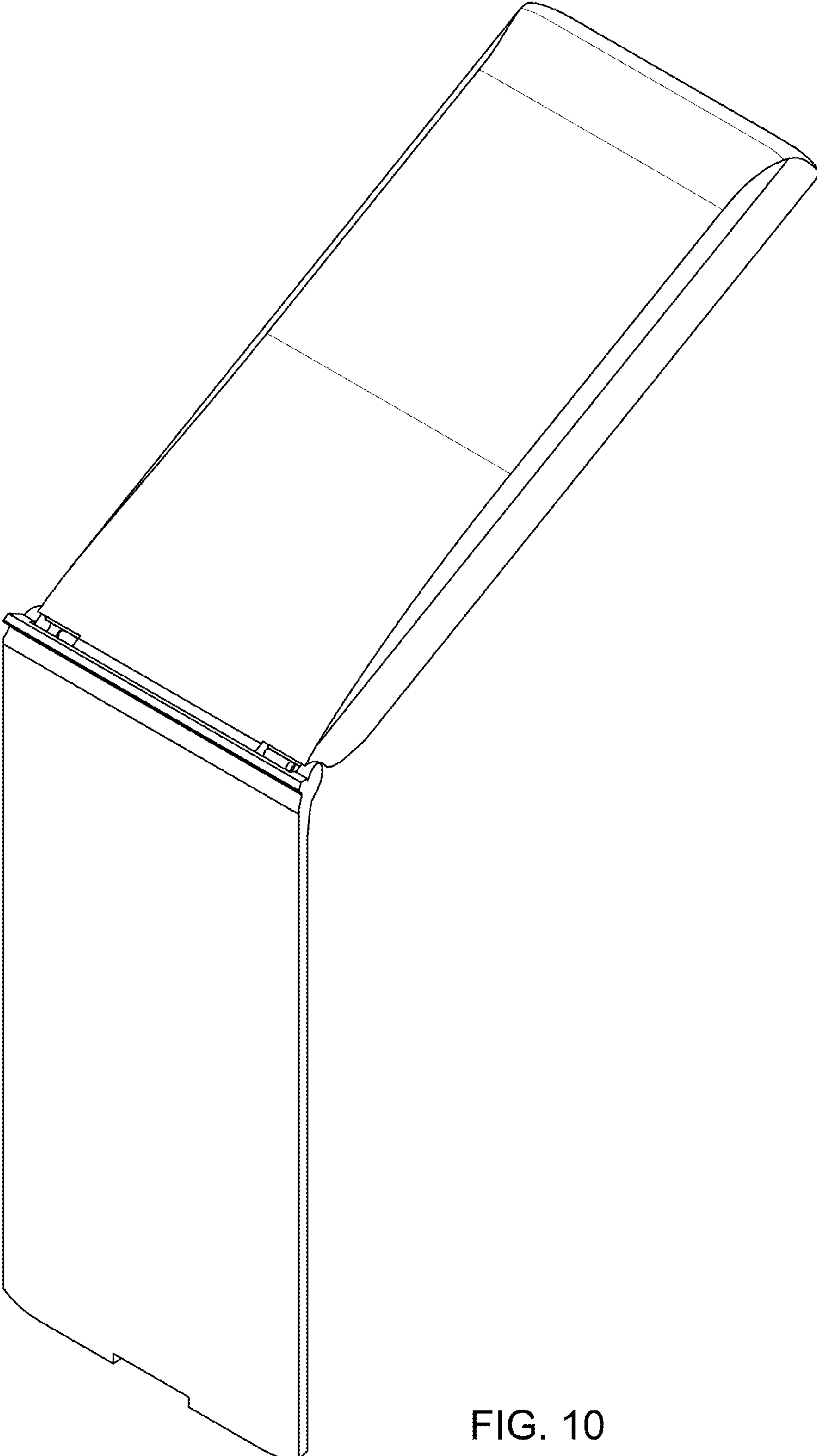


FIG. 10

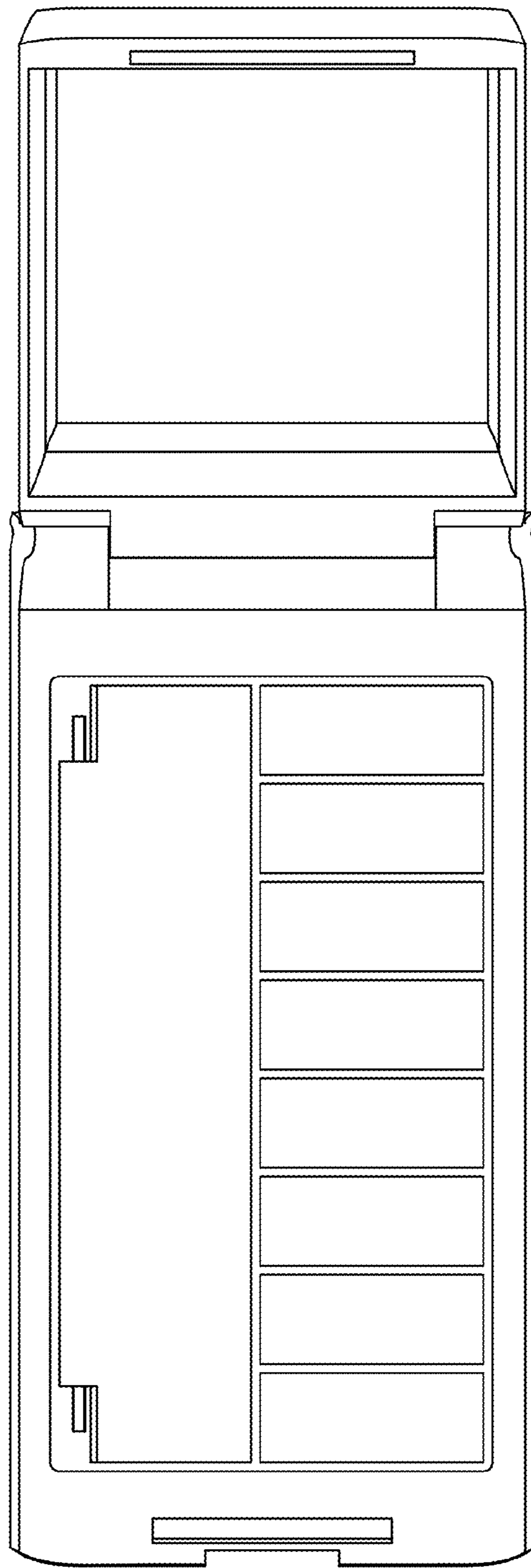


FIG. 11

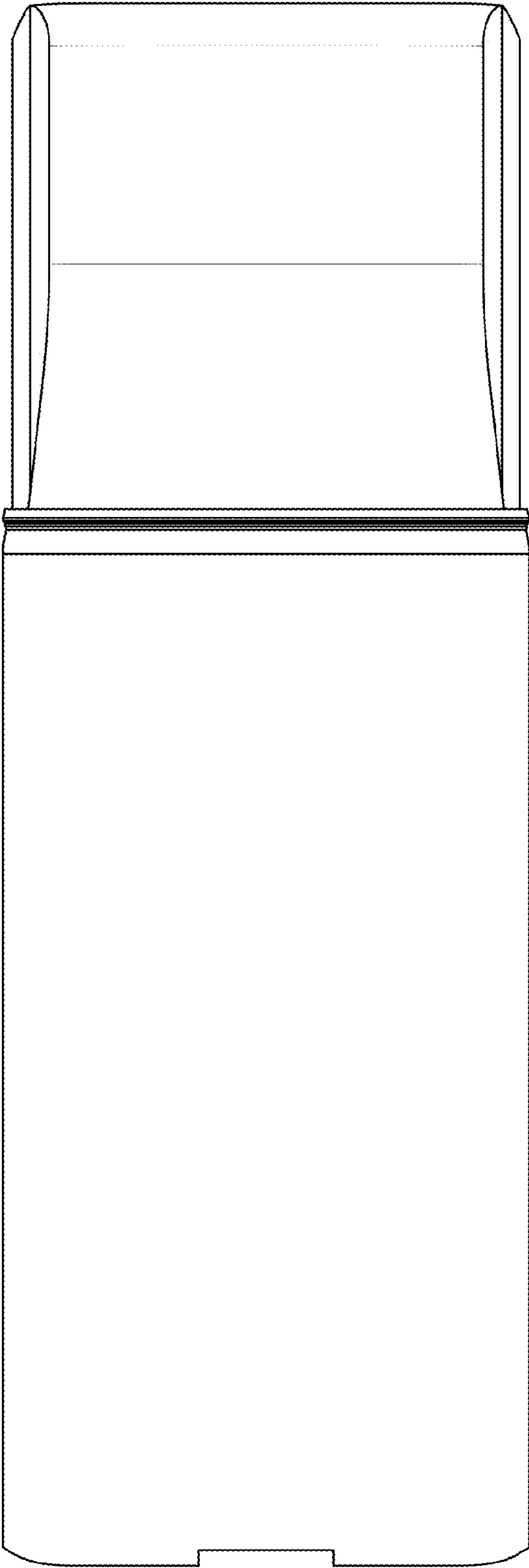


FIG. 12

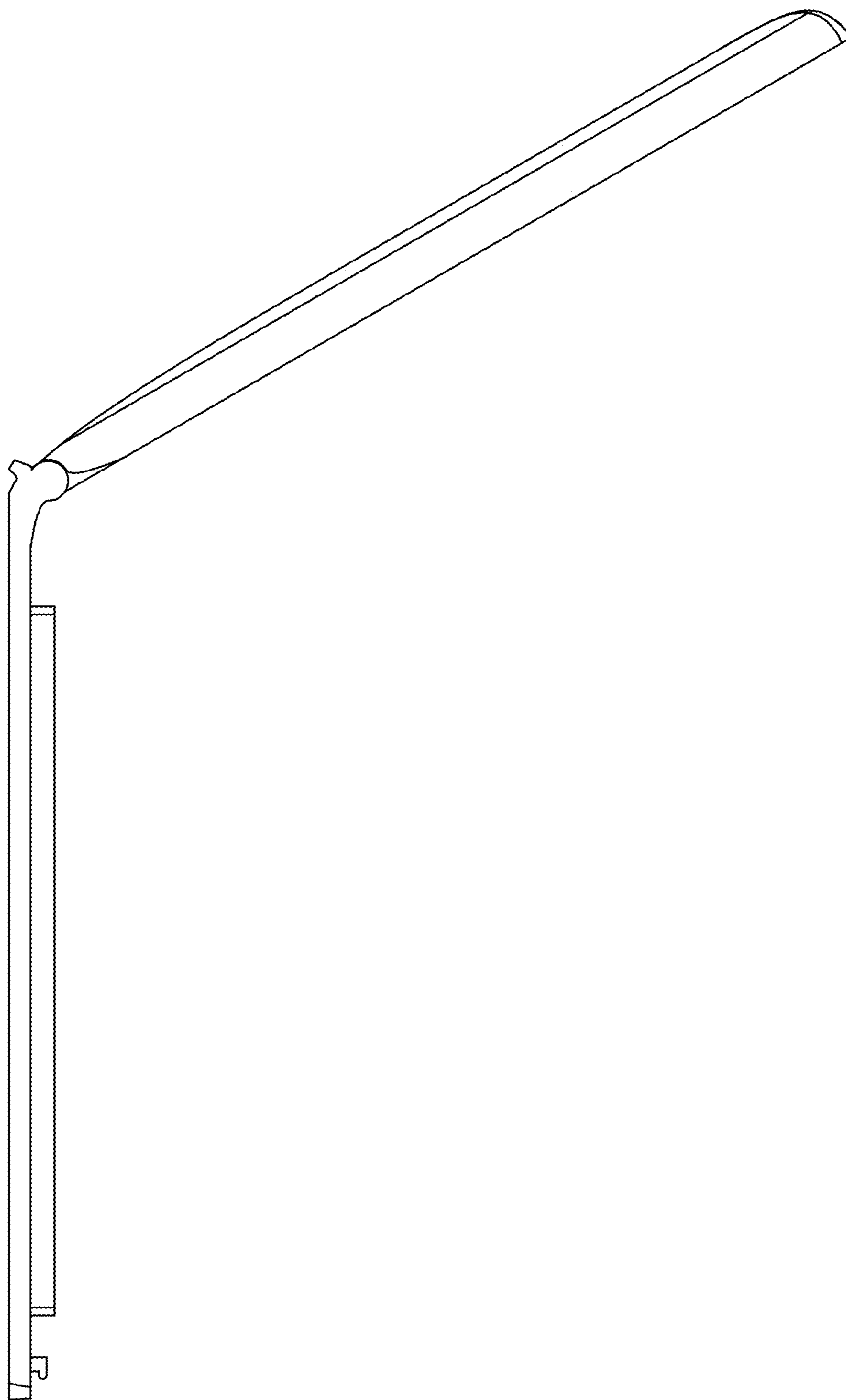


FIG. 13

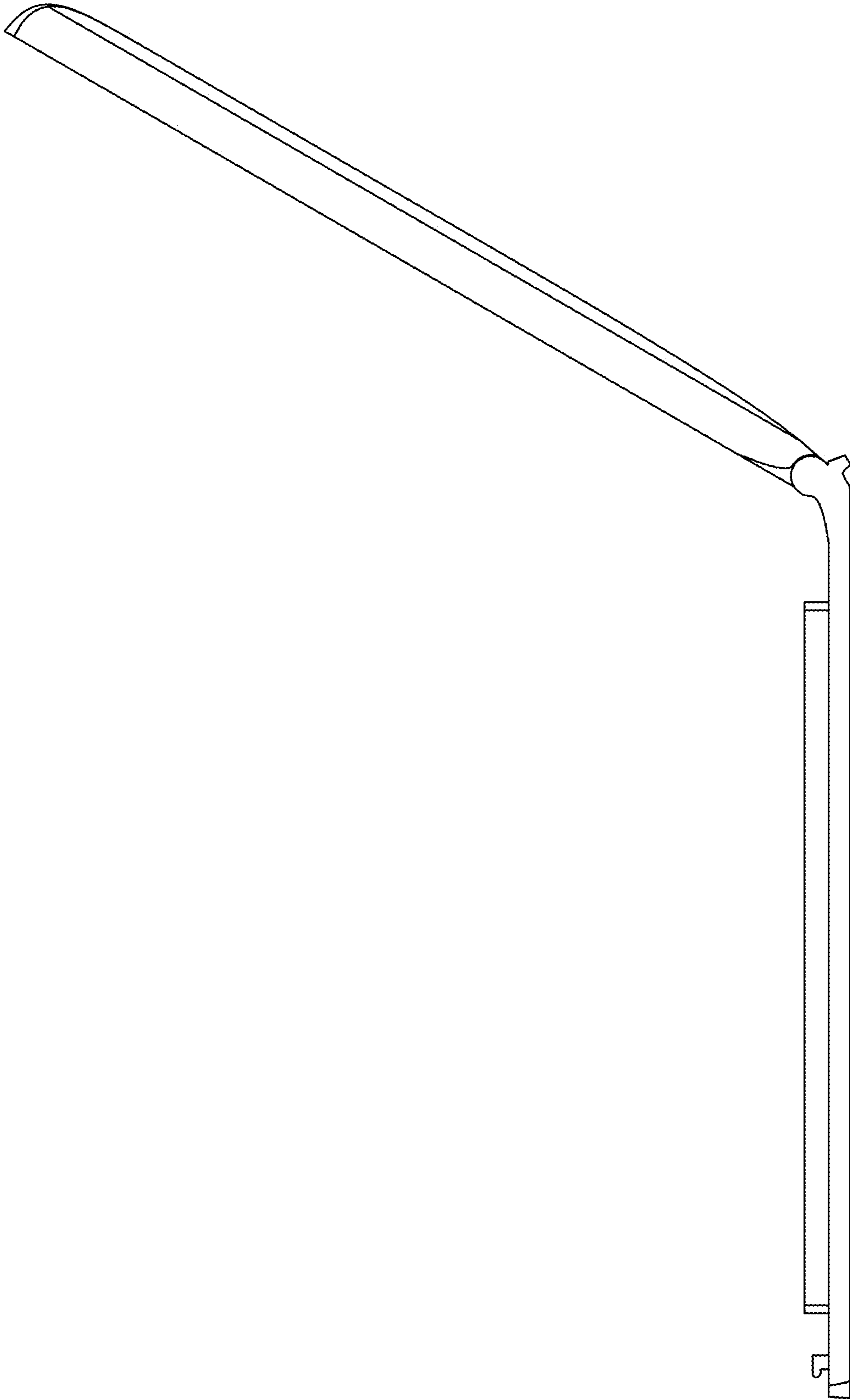


FIG. 14

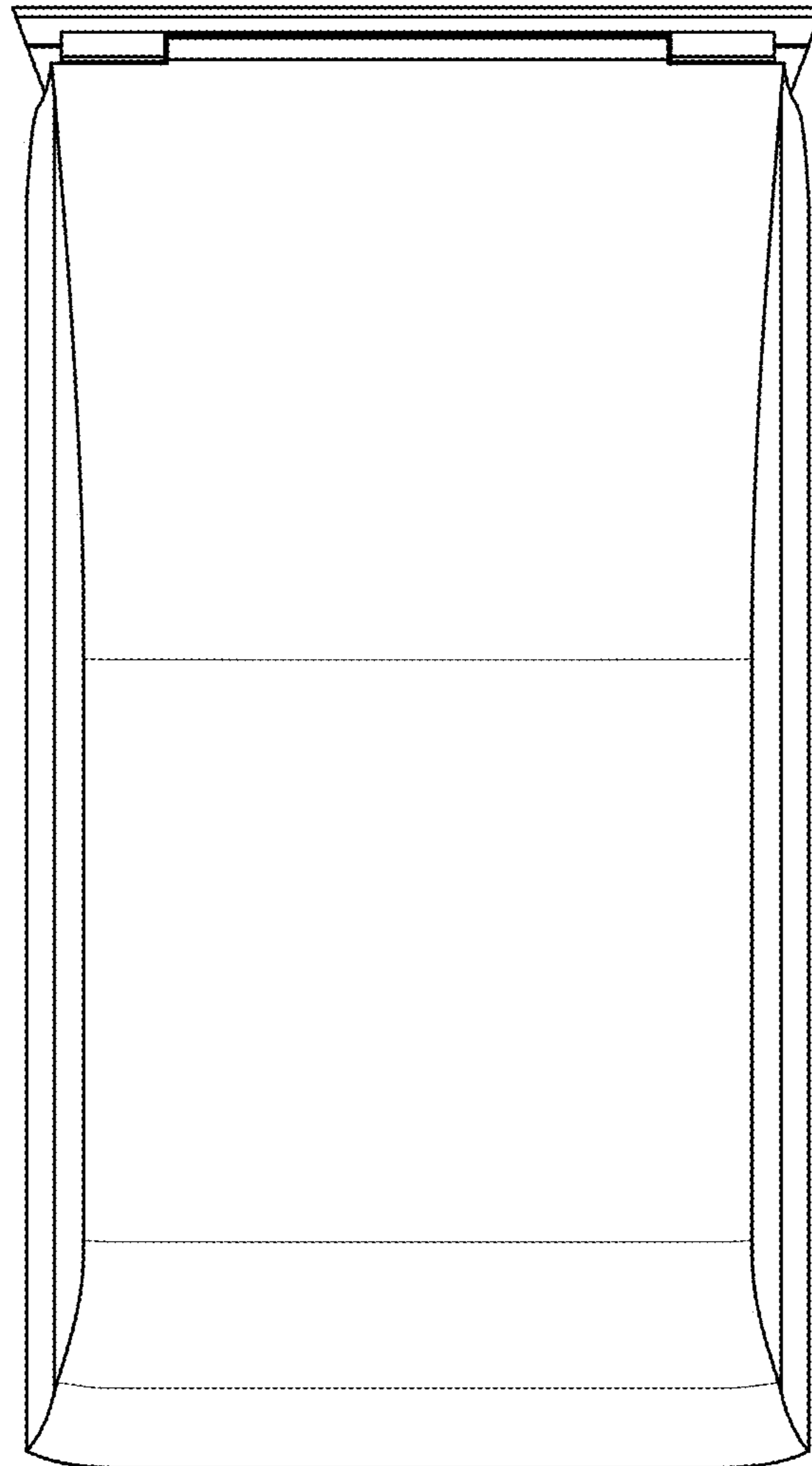


FIG. 15

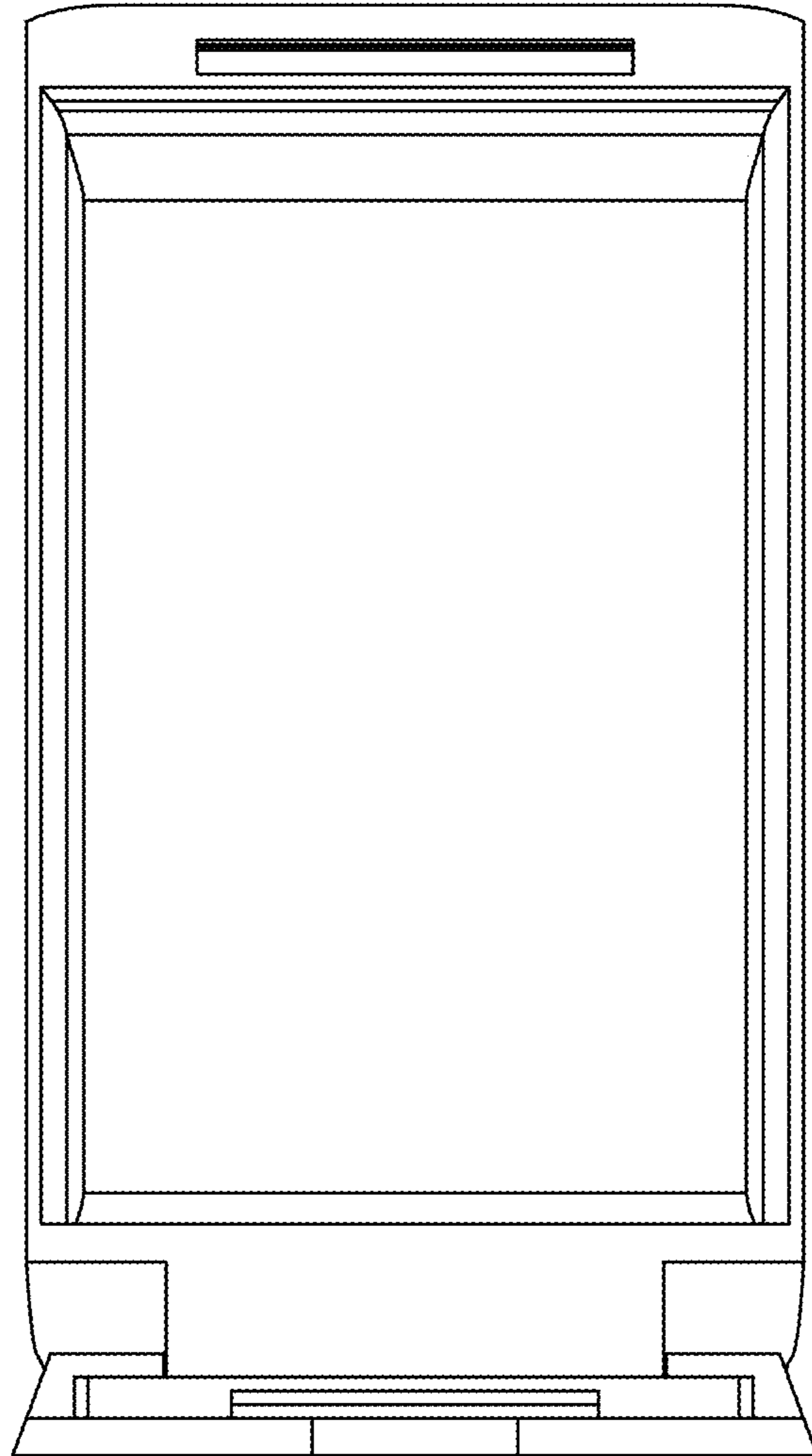


FIG. 16