



US00D930633S

(12) **United States Design Patent** (10) **Patent No.:** **US D930,633 S**  
**Xu et al.** (45) **Date of Patent:** **\*\* Sep. 14, 2021**

(54) **MOBILE STAND FOR DISPLAY DEVICE**  
(71) Applicant: **IWORKHUB LIMITED, KI (HK)**  
(72) Inventors: **Hao Xu, KI (HK); Jia Zhou, KI (HK)**  
(73) Assignee: **IWORKHUB LIMITED, KI (HK)**  
(\*\*) Term: **15 Years**  
(21) Appl. No.: **29/721,564**  
(22) Filed: **Jan. 22, 2020**

(30) **Foreign Application Priority Data**  
Nov. 30, 2019 (CN) ..... 201930666297.9  
(51) **LOC (13) Cl.** ..... **14-03**  
(52) **U.S. Cl.**  
USPC ..... **D14/239**  
(58) **Field of Classification Search**  
USPC ... D14/239, 217, 224, 230, 238, 238.1, 432,  
D14/300, 336, 371-382, 125-129, 337,  
D14/447-452, 492, 335, 376-382, 457,  
D14/439-441, 251-253; D6/672;  
D8/349, 354, 363, 373, 376, 380;  
D21/333; D12/415; D3/218; 348/180,  
348/184, 325, 739, 825  
CPC .. F16M 11/24; F16M 11/045; F16M 11/2014;  
F16M 11/2064; F16M 13/02; F16M  
13/00; F16M 11/10; F16M 11/04; F16M  
2200/08; F16M 11/2021; Y10S 248/92;  
G06F 3/0412; G06F 3/016; G06F 3/0488;  
G06F 3/011; G06F 3/038; G06F 3/03543;  
G06F 3/0338; G06F 3/0202; G06F  
3/0219; G06F 3/0213; G06F 1/1616;  
G06F 3/023; G06F 3/04883; G02F  
1/13338; G02F 1/1313; G02F 1/1333;  
G02F 1/135; G02F 1/132; G02F  
1/133308; G02F 1/134309; G02F  
1/13718; G09G 3/3648; G06K 15/1252;  
B41J 2/465; G03F 7/70291; G02B  
27/0172; G02B 5/30; G02B 2027/0118;

(Continued)

(56) **References Cited**  
U.S. PATENT DOCUMENTS  
D603,412 S \* 11/2009 Wills ..... D14/451  
D615,072 S \* 5/2010 Saitou ..... D14/239  
(Continued)

FOREIGN PATENT DOCUMENTS  
CN 306118727 \* 5/2020  
CN 306196951 \* 7/2020  
KR 301079413.0000 \* 8/2020

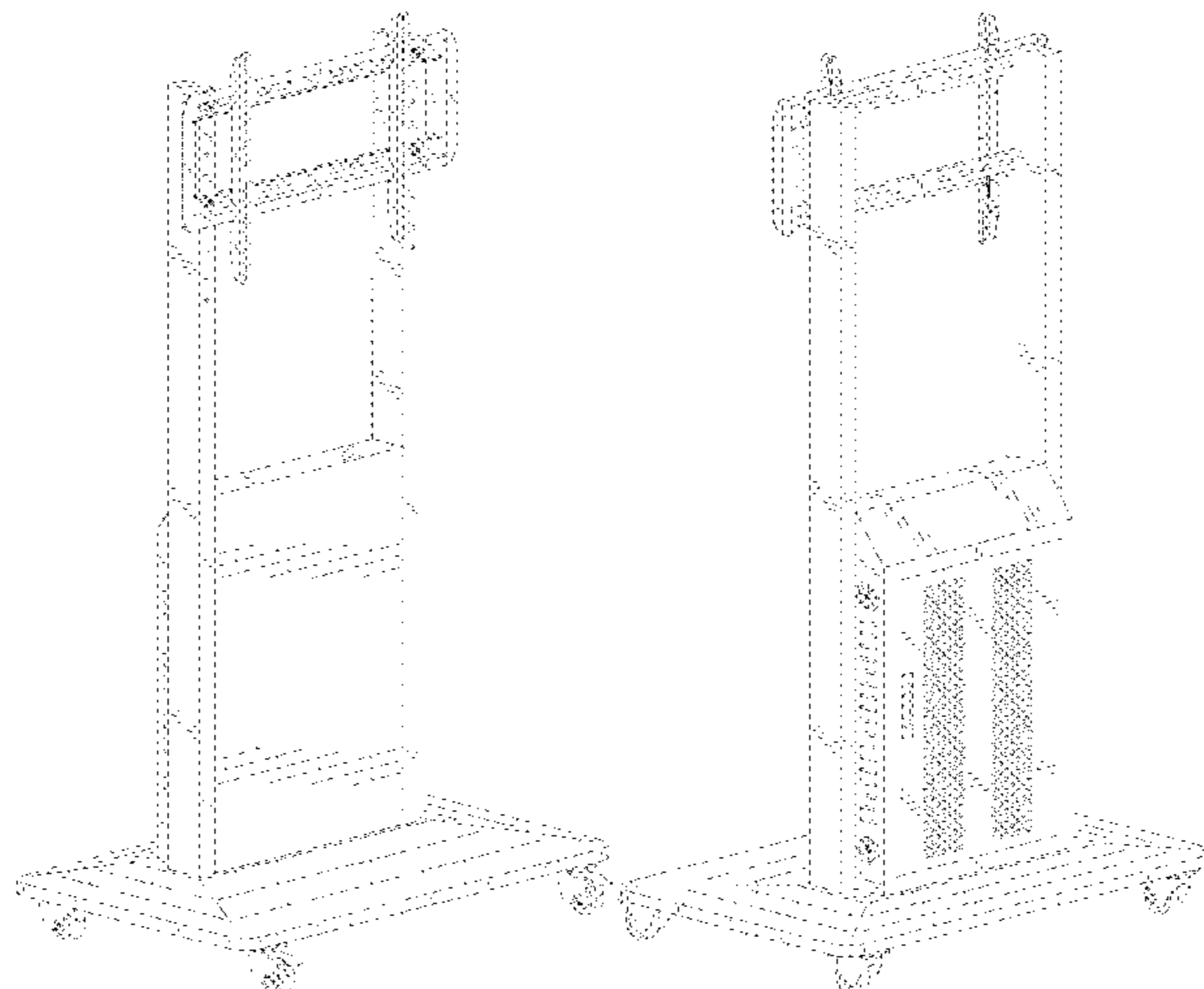
OTHER PUBLICATIONS  
TV Cart Cabinet, northbayouav.com, [online], [site visited Dec. 23, 2020], Available from internet URL: <https://northbayouav.com/product/tv-cart-nb-901002/> (Year: 2020).\*

*Primary Examiner* — Samantha Q Lawrence  
*Assistant Examiner* — Holly M Rodriguez  
(74) *Attorney, Agent, or Firm* — JCIP Global Inc.

(57) **CLAIM**  
The ornamental design for a mobile stand for display device, as shown and described.

**DESCRIPTION**  
FIG. 1 is a perspective view of a mobile stand for display device showing our new design;  
FIG. 2 is another perspective view thereof;  
FIG. 3 is a front view thereof;  
FIG. 4 is a rear view thereof;  
FIG. 5 is a left side view thereof;  
FIG. 6 is a right side view thereof;  
FIG. 7 is a top view thereof; and,  
FIG. 8 is a bottom view thereof.  
The broken lines shown in FIGS. 1-8 illustrate portions of the mobile stand for display device that form no part of the claimed design.

**1 Claim, 8 Drawing Sheets**



(58) **Field of Classification Search**

CPC ..... G02B 27/0101; H02G 3/126; A47G 1/17;  
A47K 2201/00; A47B 21/0314; A47B  
88/044; A47B 2021/0335; F16B 47/00;  
F16B 47/006

See application file for complete search history.

(56) **References Cited**

U.S. PATENT DOCUMENTS

D742,863	S	*	11/2015	Aoyagi	.....	D14/239
9,247,861	B2	*	2/2016	Kan	.....	H04N 5/655
D782,491	S	*	3/2017	Cutler	.....	D14/447
D784,998	S	*	4/2017	Cutler	.....	D14/447
D784,999	S	*	4/2017	Cutler	.....	D14/447
D874,449	S	*	2/2020	Ahrens	.....	D14/239
D880,462	S	*	4/2020	Nakamura	.....	D14/239
2009/0039212	A1	*	2/2009	Whalen	.....	A47B 81/065 248/158
2011/0079687	A1	*	4/2011	Grove	.....	F16M 11/08 248/168
2011/0079688	A1	*	4/2011	Grove	.....	F16M 11/38 248/176.3

\* cited by examiner

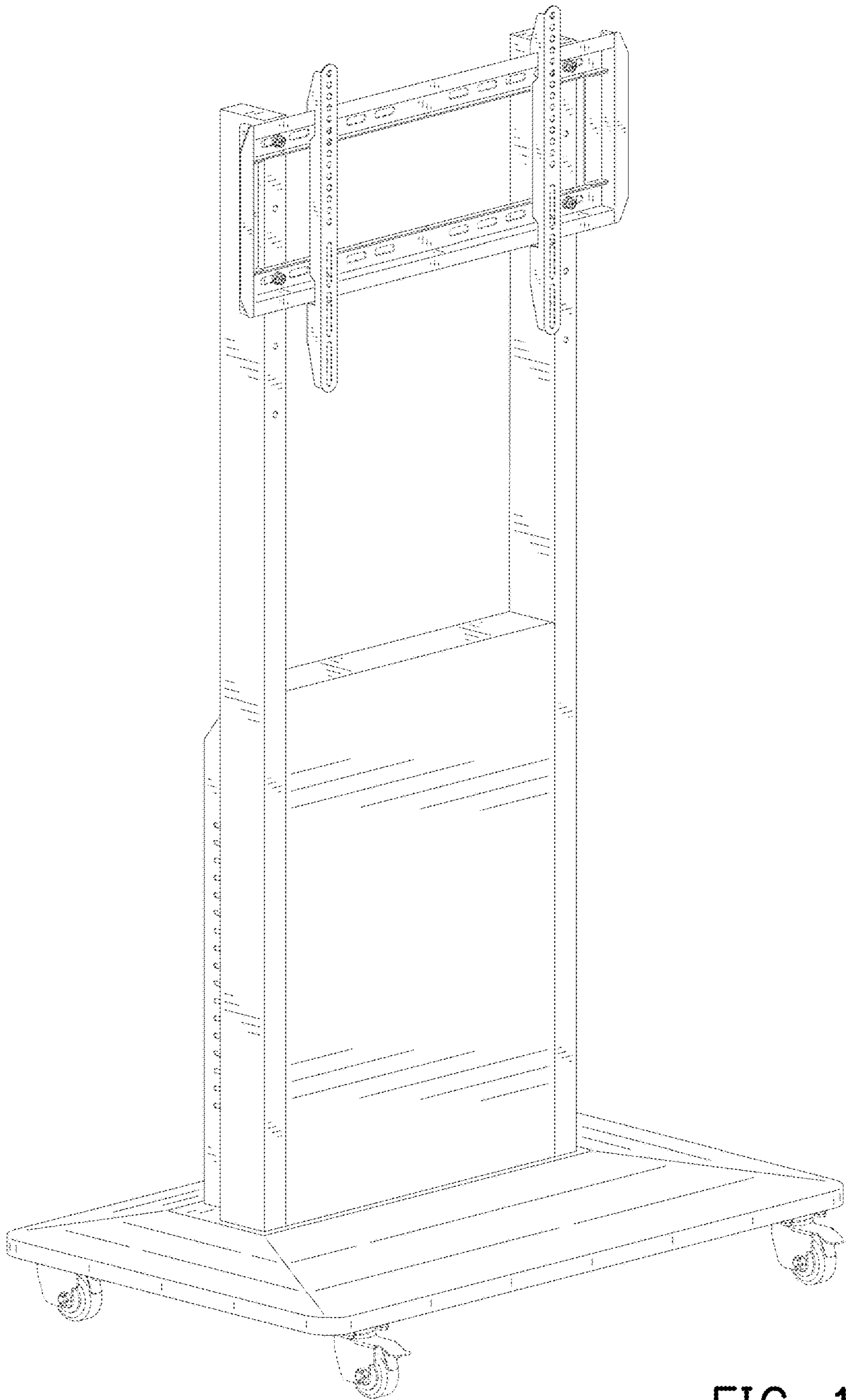


FIG. 1

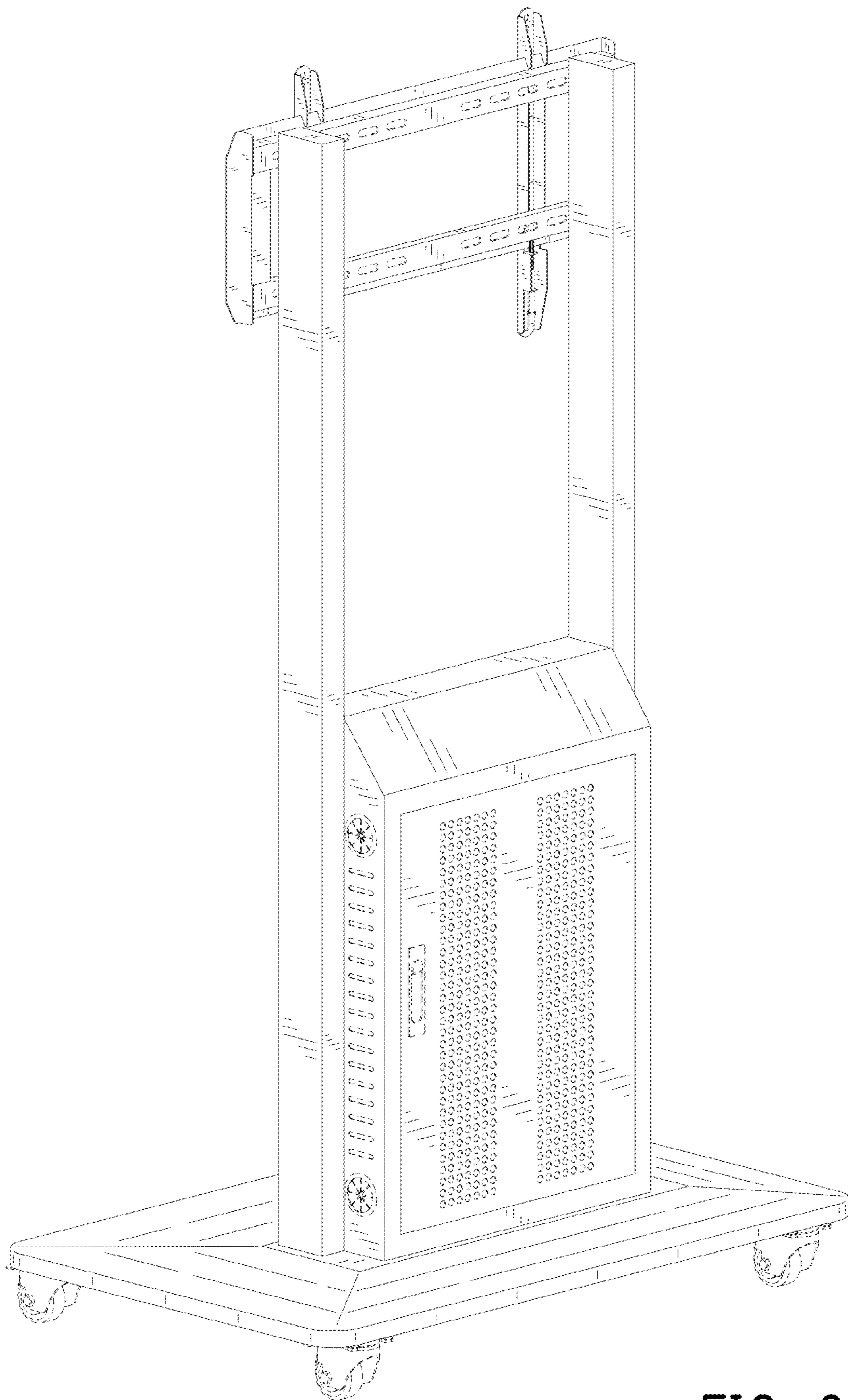


FIG. 2

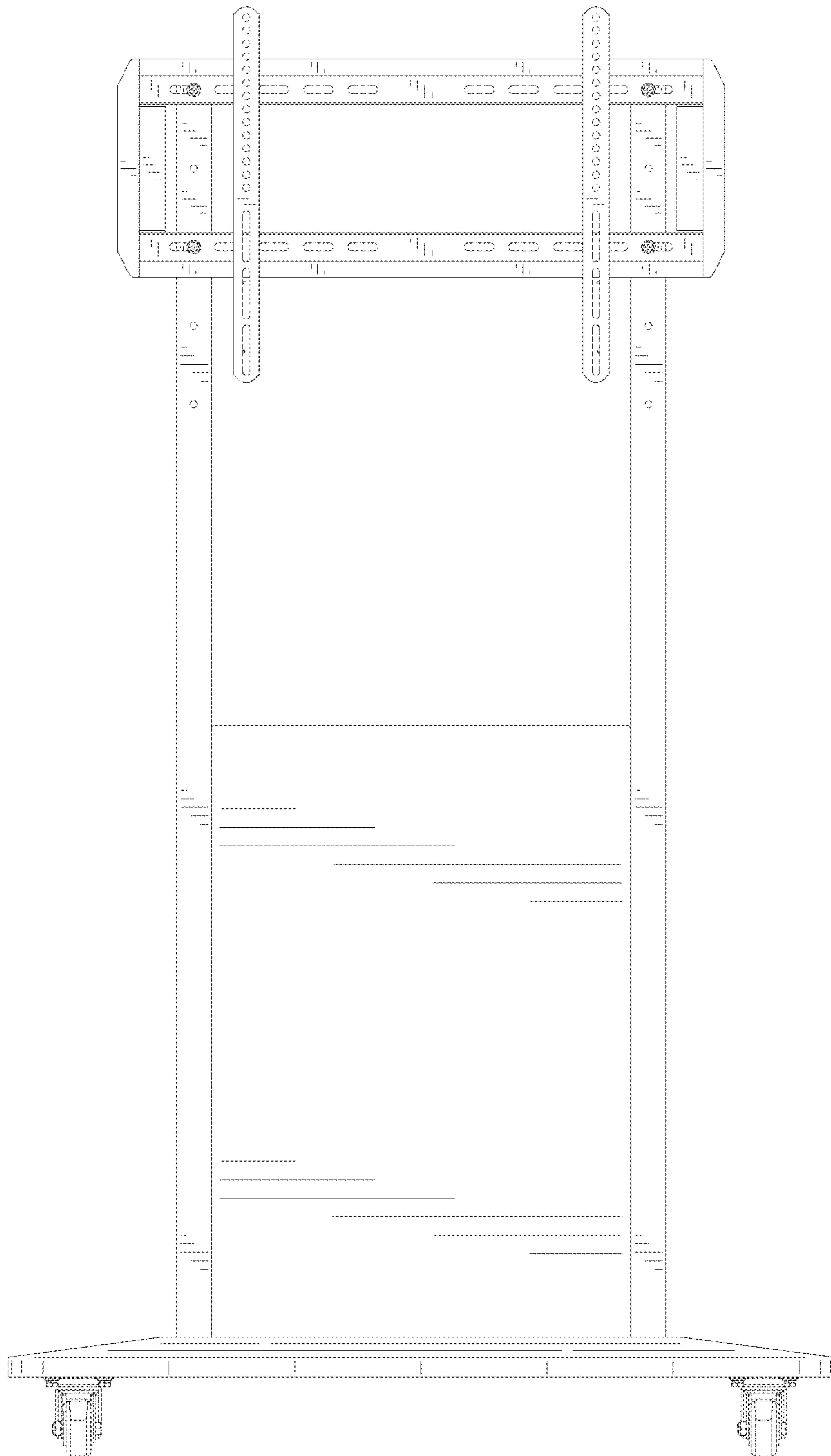


FIG. 3

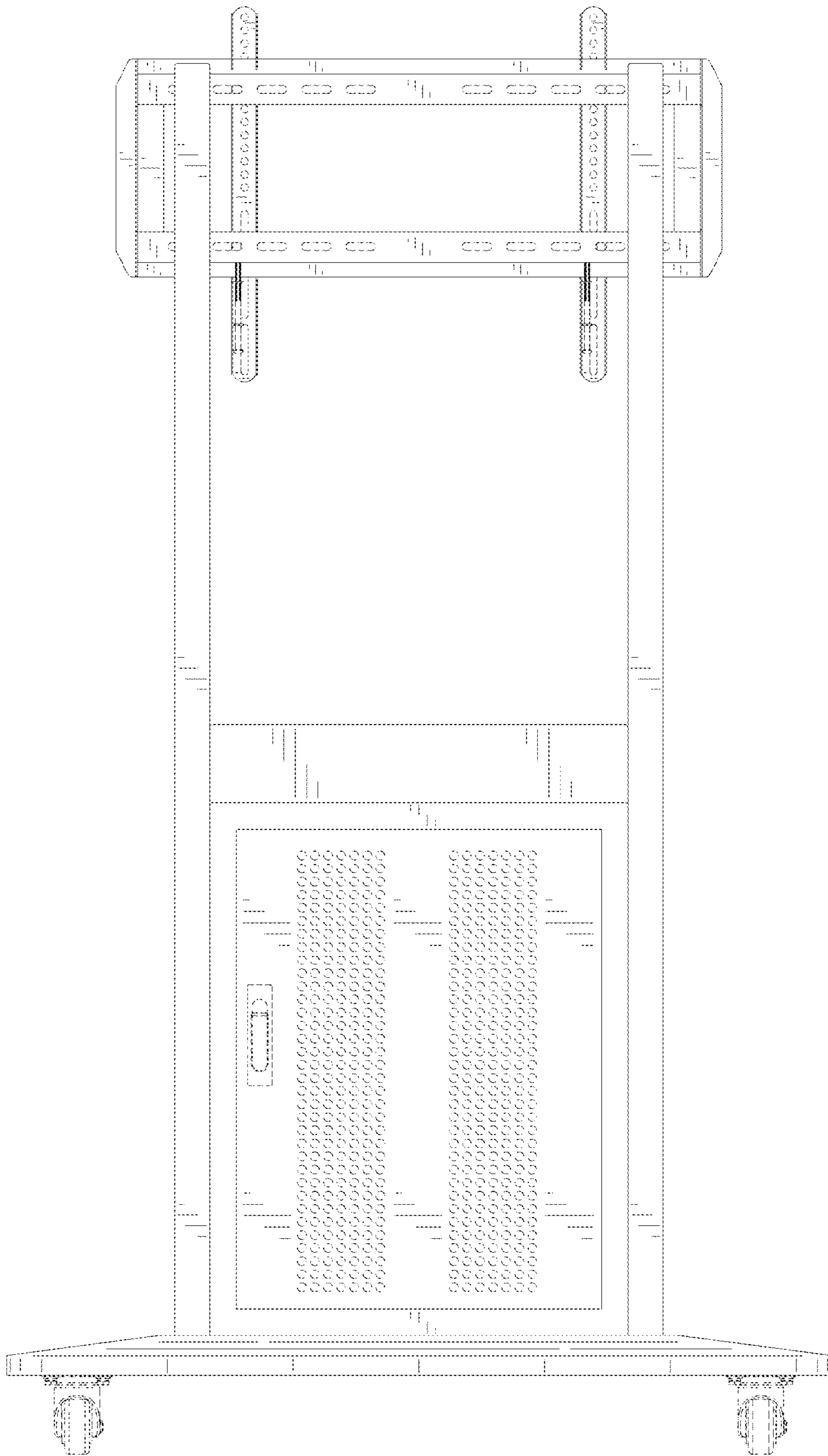


FIG. 4

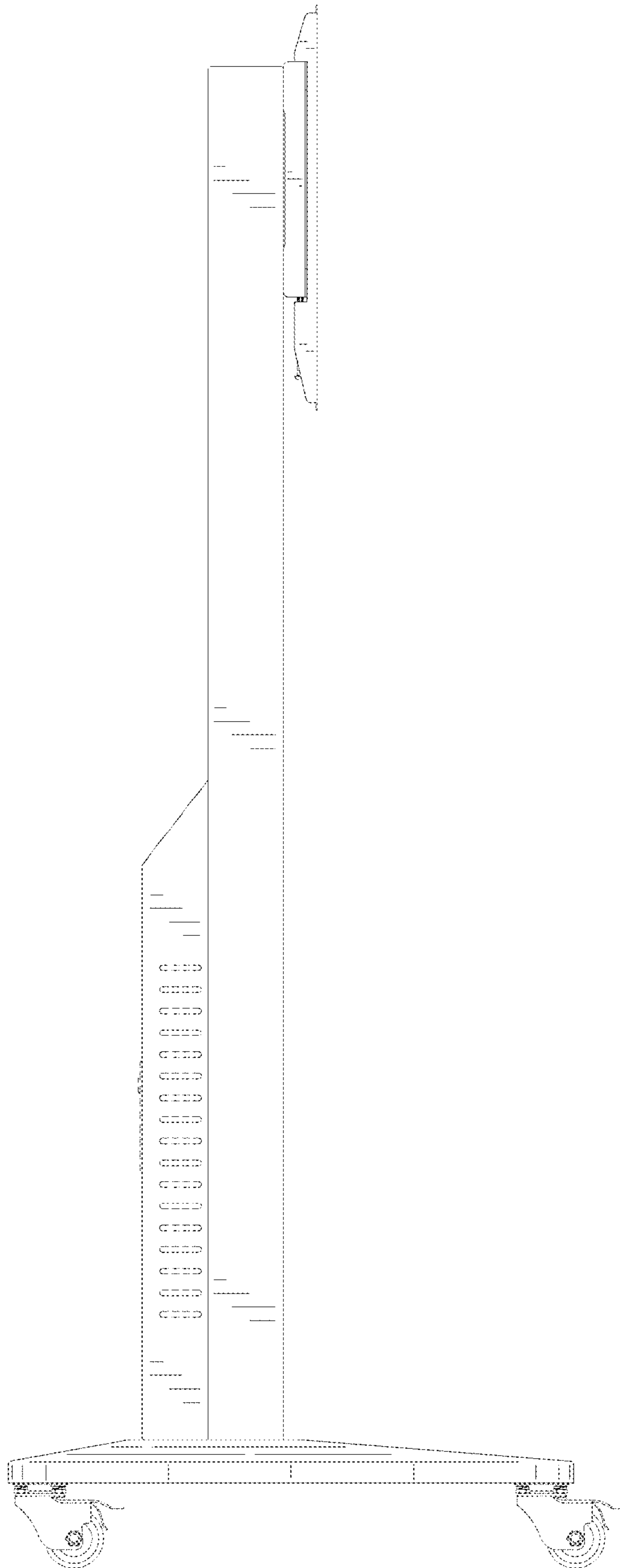


FIG. 5

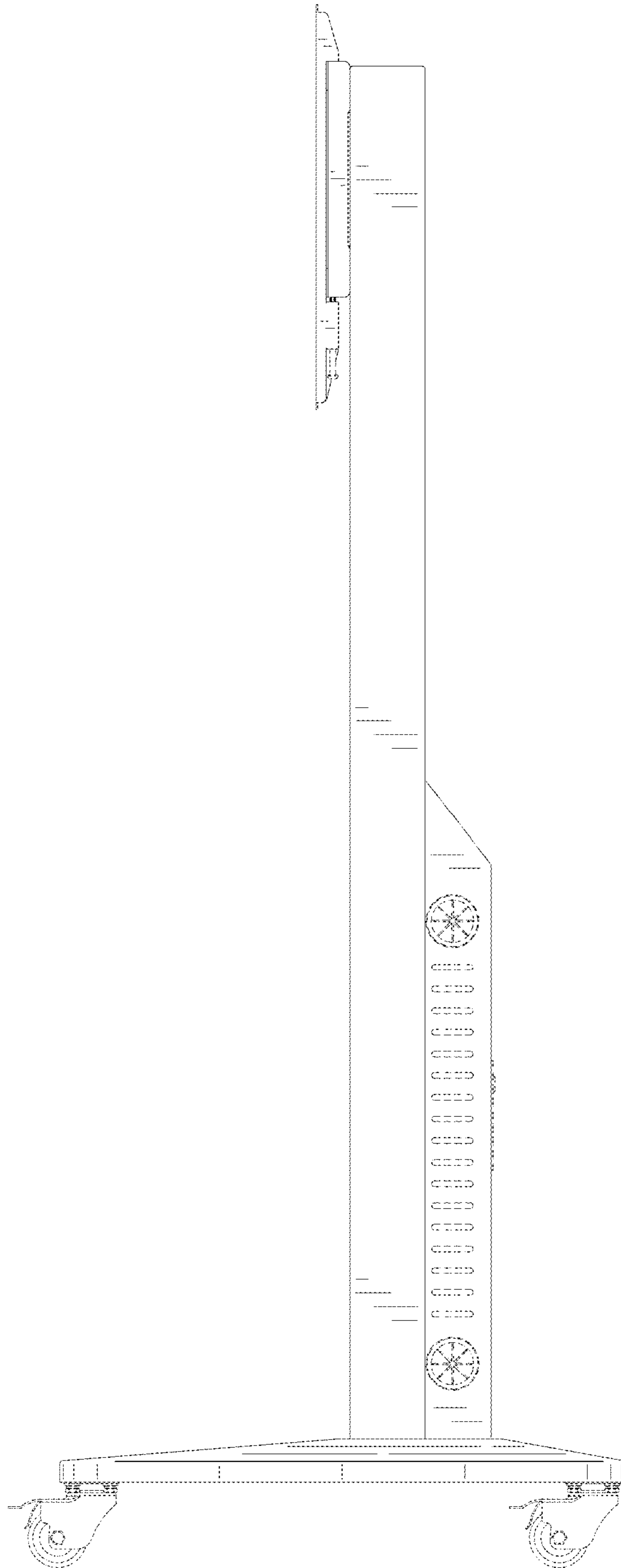


FIG. 6



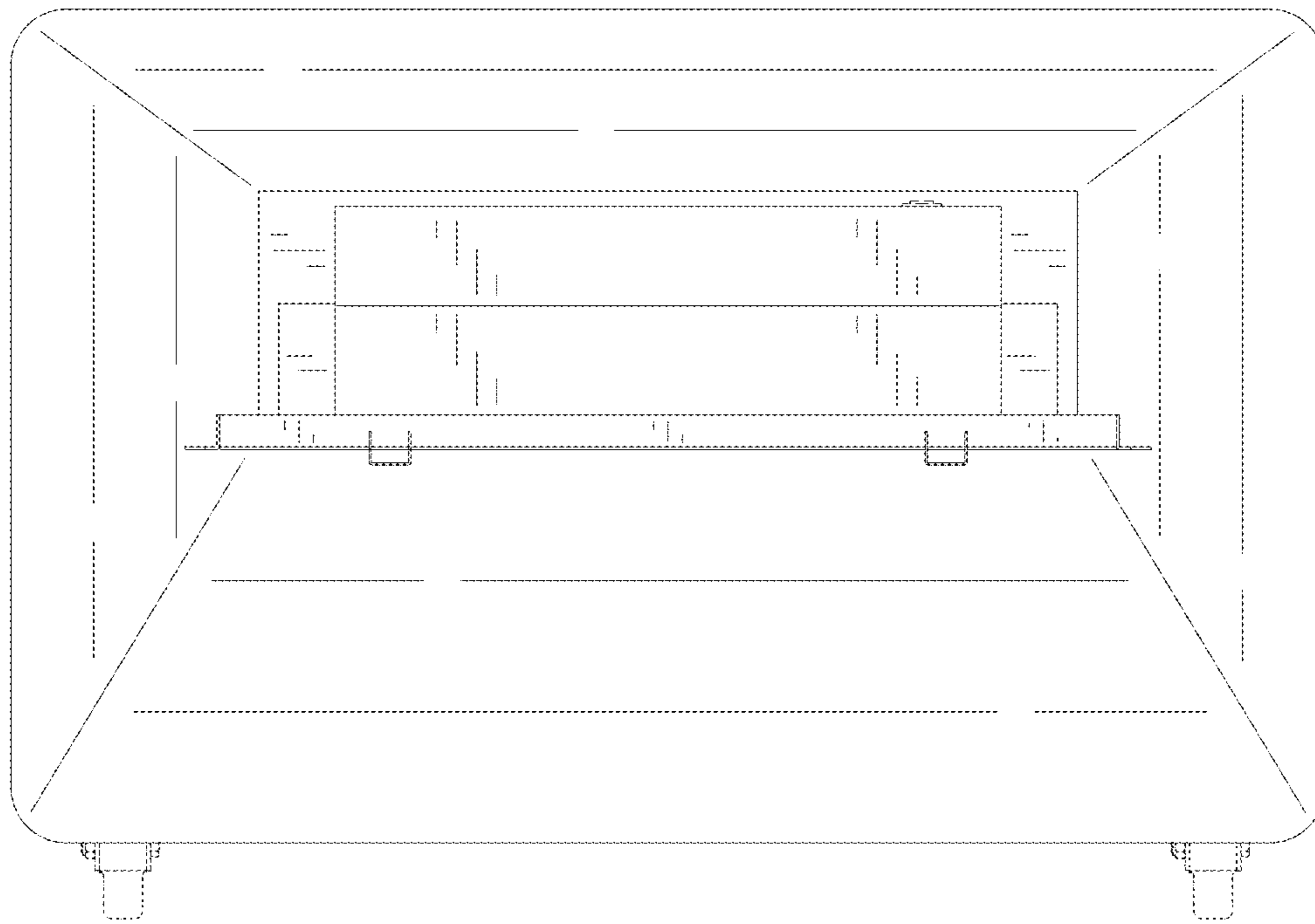


FIG. 7

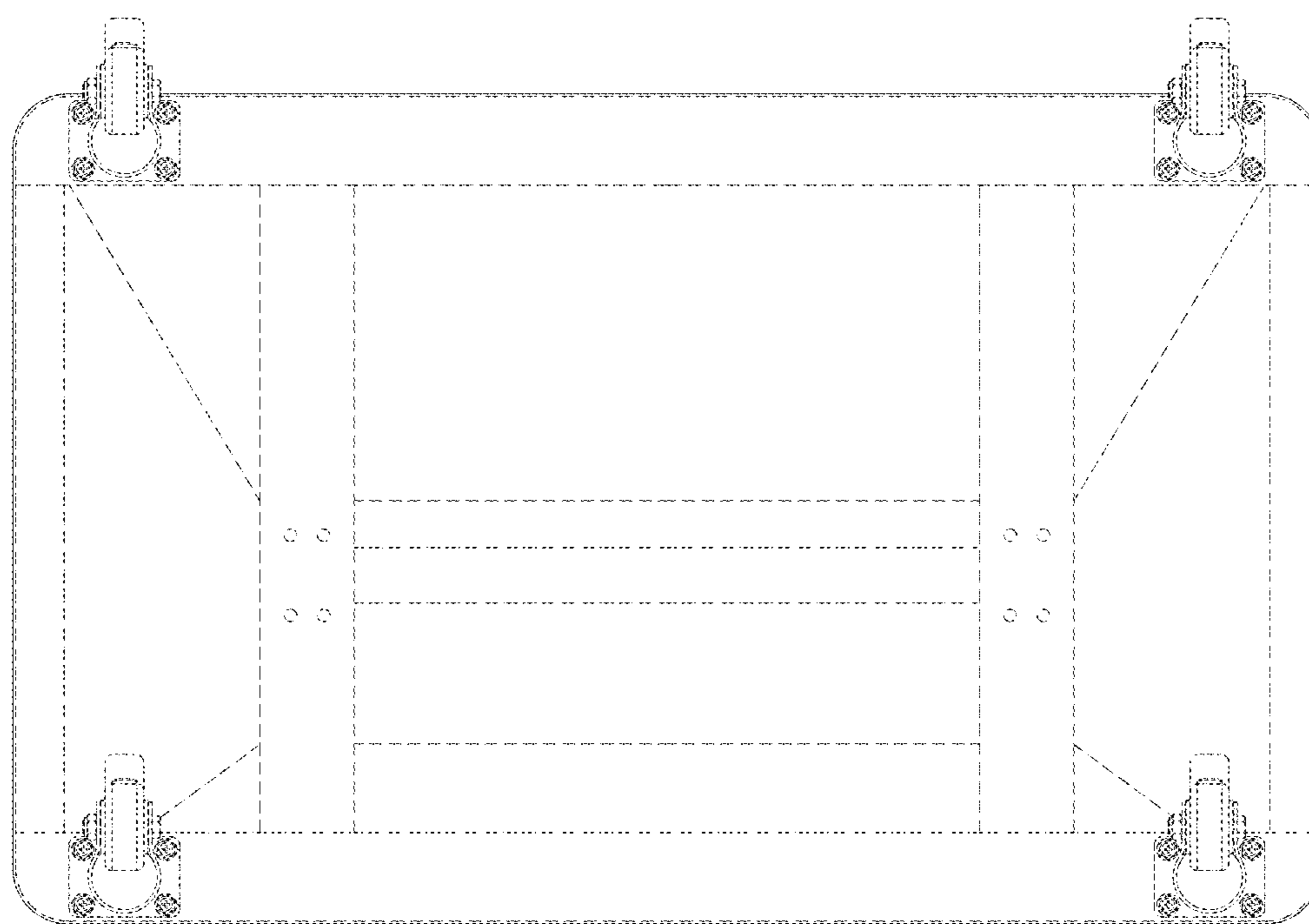


FIG. 8