

US00D930629S

(12) **United States Design Patent** (10) **Patent No.:** **US D930,629 S**
Chen (45) **Date of Patent:** **** Sep. 14, 2021**

(54) **ANTENNA**
(71) Applicant: **Shenzhen Aili Huaxin Technology Co., Ltd.**, Guangdong (CN)
(72) Inventor: **Xiaoqiu Chen**, Jiujiang (CN)
(73) Assignee: **Shenzhen Aili Huaxin Technology Co., Ltd.**, Guangdong (CN)
(**) Term: **15 Years**

D531,624 S * 11/2006 Sun D14/230
D551,217 S * 9/2007 Hagiwara D14/230
D718,142 S * 11/2014 Son D9/529
D823,844 S * 7/2018 Ramones D14/240
D863,270 S 10/2019 Naweed
D877,723 S 3/2020 Keyrouz et al.
D881,856 S * 4/2020 Zhao D14/230
D890,148 S * 7/2020 Zhao D14/230
D896,802 S * 9/2020 Ramones D14/240
D914,653 S * 3/2021 Yang D14/230
D923,613 S * 6/2021 Yu D14/230

* cited by examiner

(21) Appl. No.: **29/752,696**
(22) Filed: **Sep. 29, 2020**
(51) **LOC (13) Cl.** **14-03**
(52) **U.S. Cl.**
USPC **D14/230**
(58) **Field of Classification Search**
USPC D14/138, 230–238, 299, 358
CPC H01Q 7/00; H01Q 13/10; H01Q 9/285;
H01Q 19/30; H01Q 19/12; H01Q 1/38;
H01Q 1/36; H04B 1/0475; H04B 1/034;
H05K 11/00
See application file for complete search history.

Primary Examiner — John Windmuller
(74) *Attorney, Agent, or Firm* — ScienBiziP, P.C.

(57) **CLAIM**

The ornamental design for an antenna, as shown and described.

DESCRIPTION

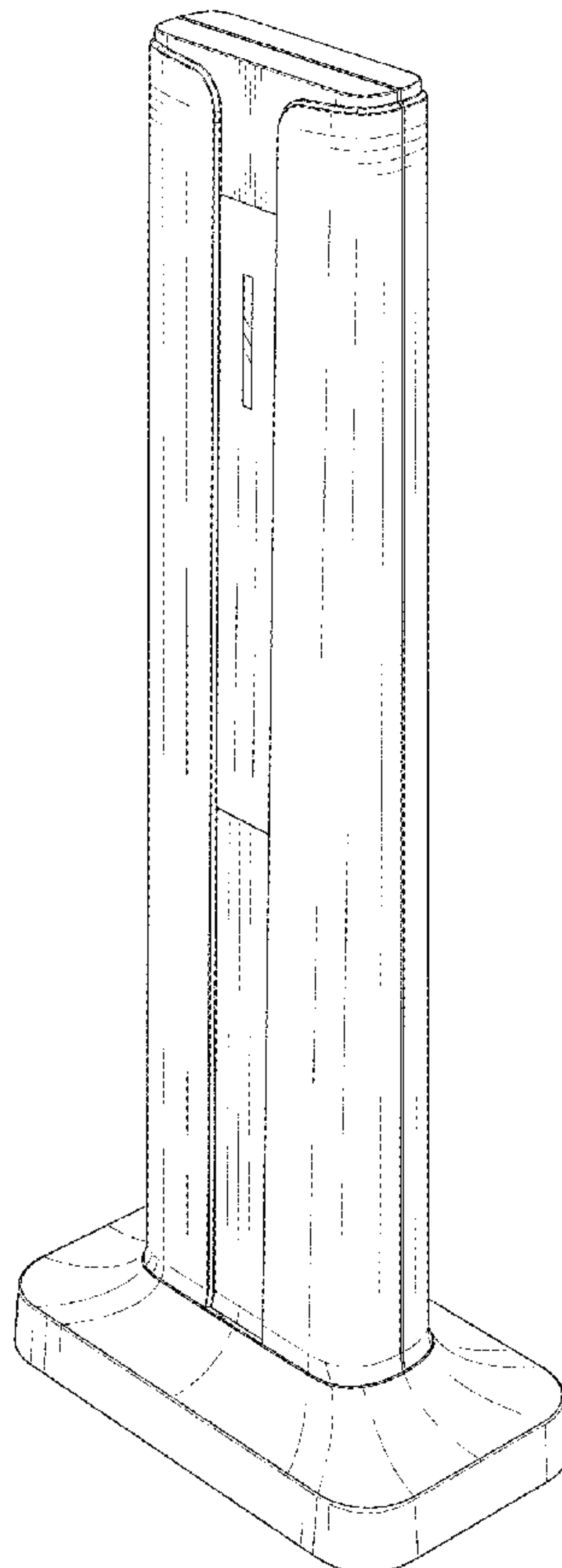
FIG. 1 is a front perspective view of an antenna, showing my design.
FIG. 2 is a front elevation view thereof.
FIG. 3 is a rear elevation view thereof.
FIG. 4 is a left side elevation thereof.
FIG. 5 is a right side elevation thereof.
FIG. 6 is a top plan view thereof; and,
FIG. 7 is a bottom plan view thereof.

(56) **References Cited**

U.S. PATENT DOCUMENTS

D501,000 S * 1/2005 Wang D14/235
D516,060 S * 2/2006 Wu D14/230

1 Claim, 7 Drawing Sheets



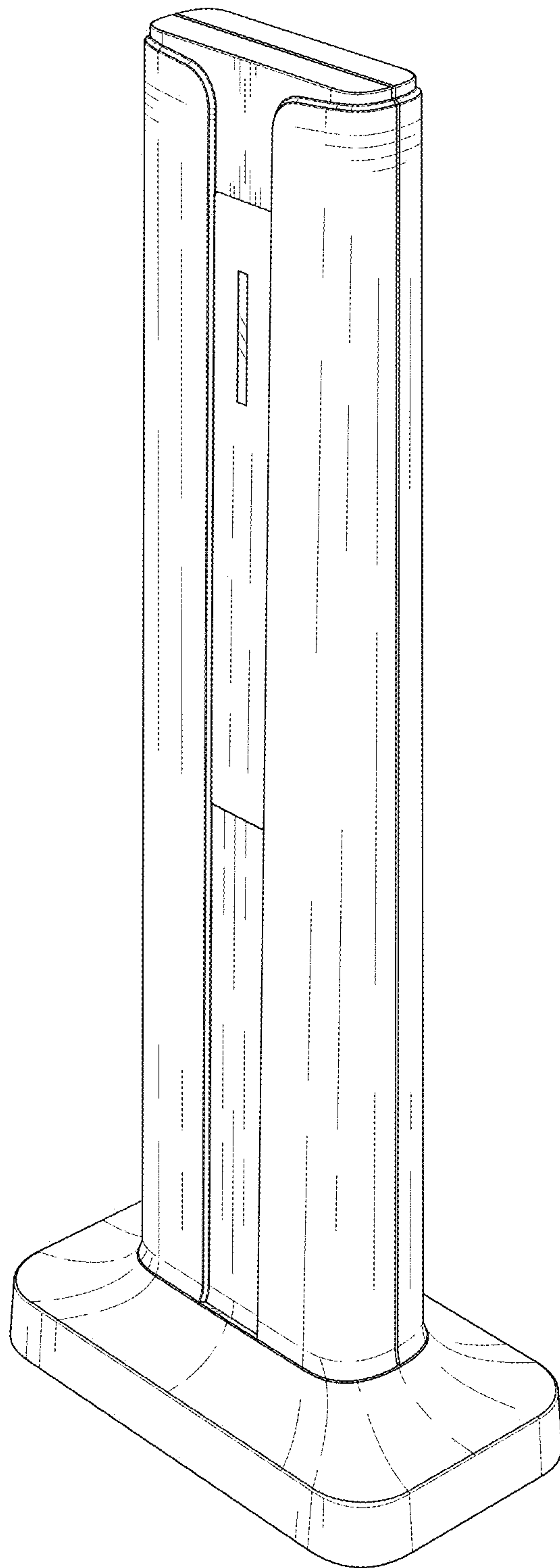


FIG. 1

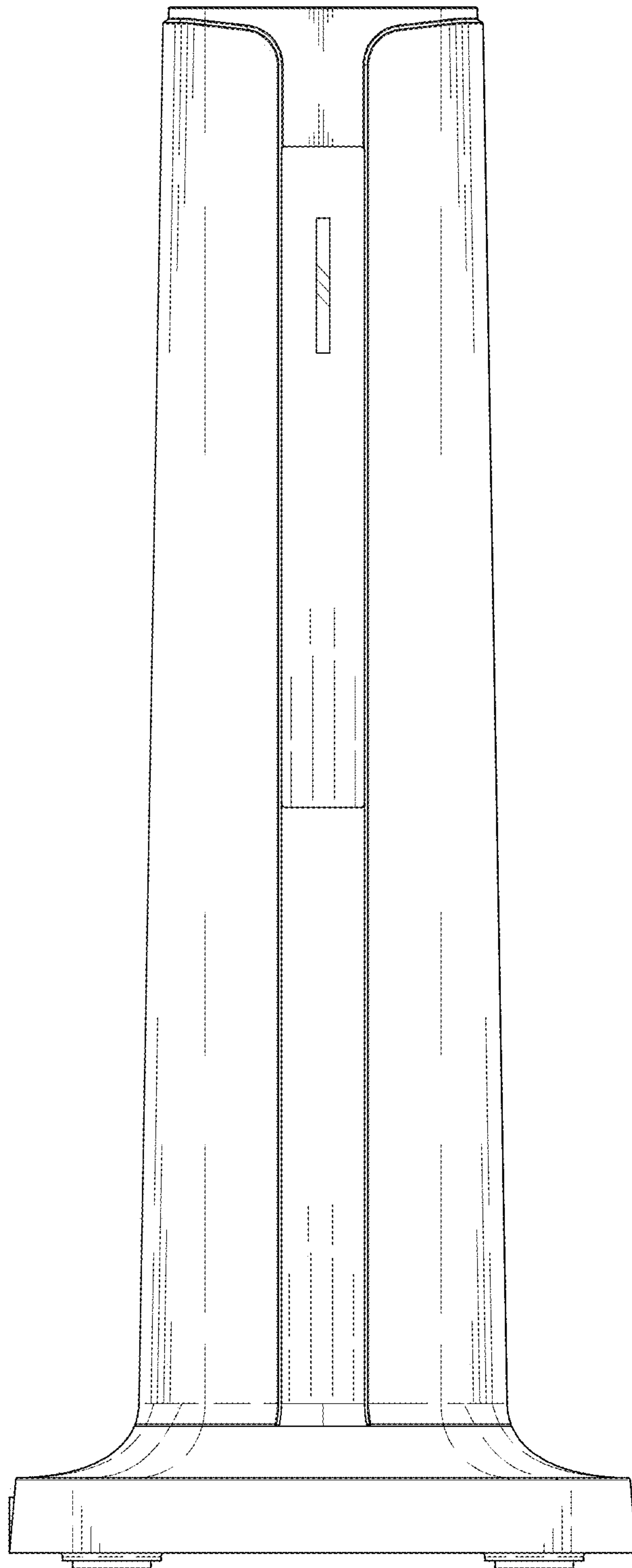


FIG.2

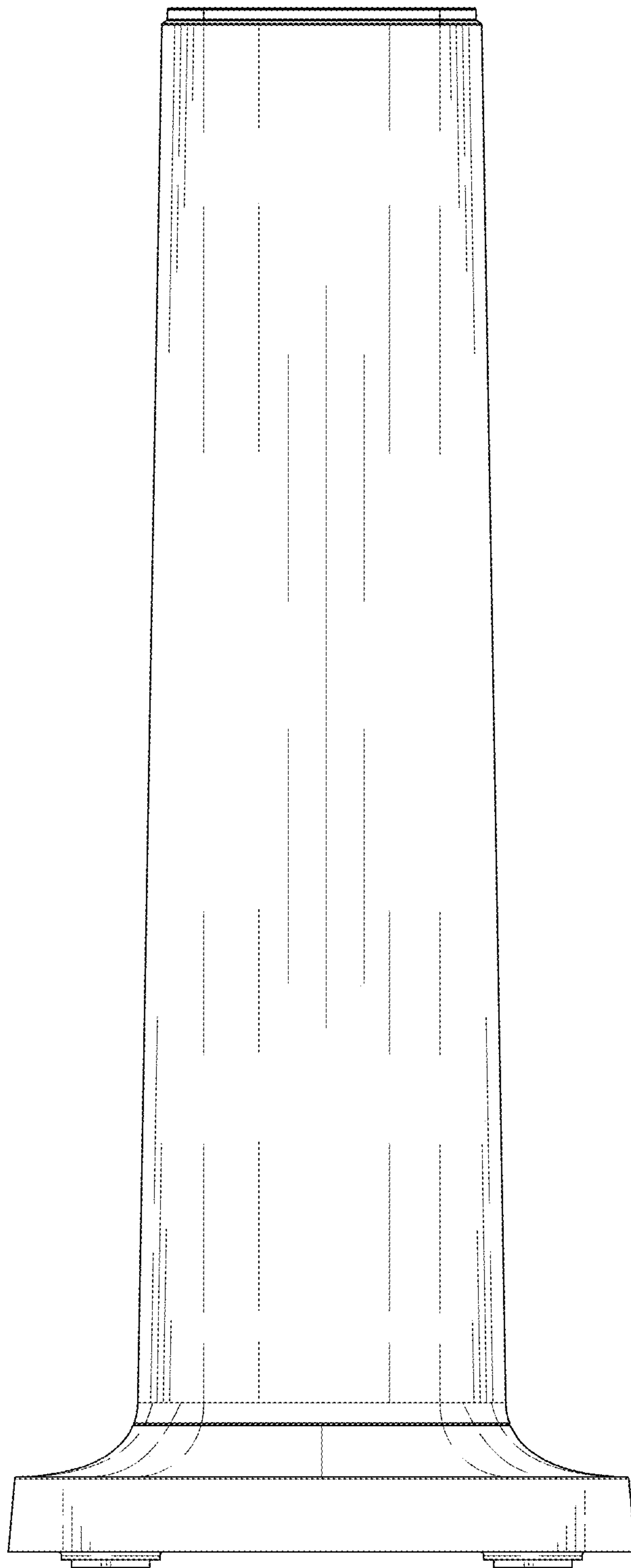


FIG.3

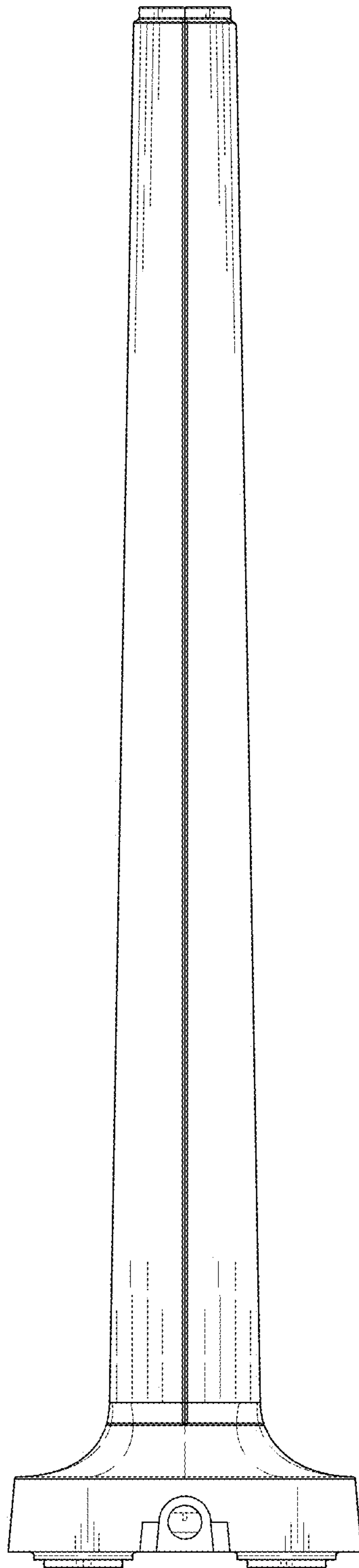


FIG.4

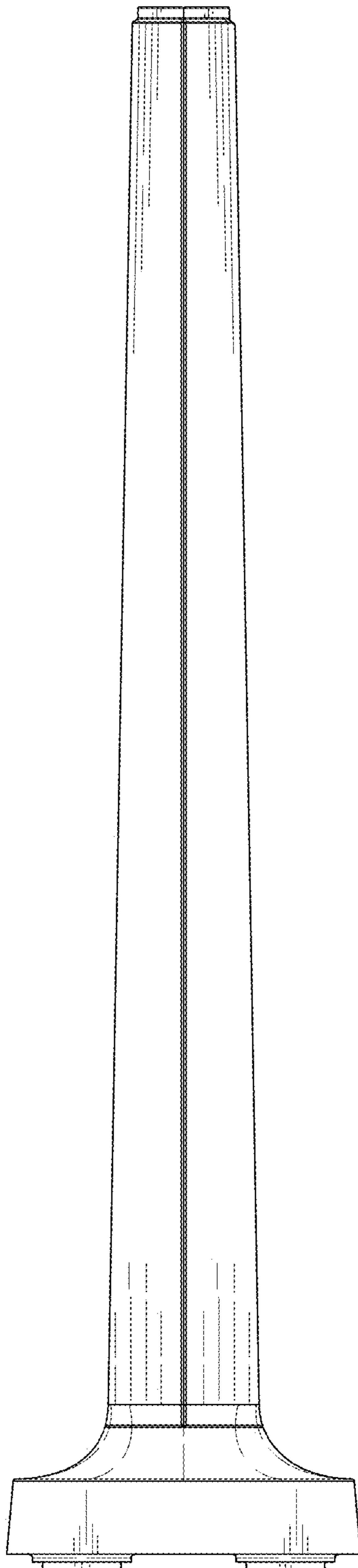


FIG.5

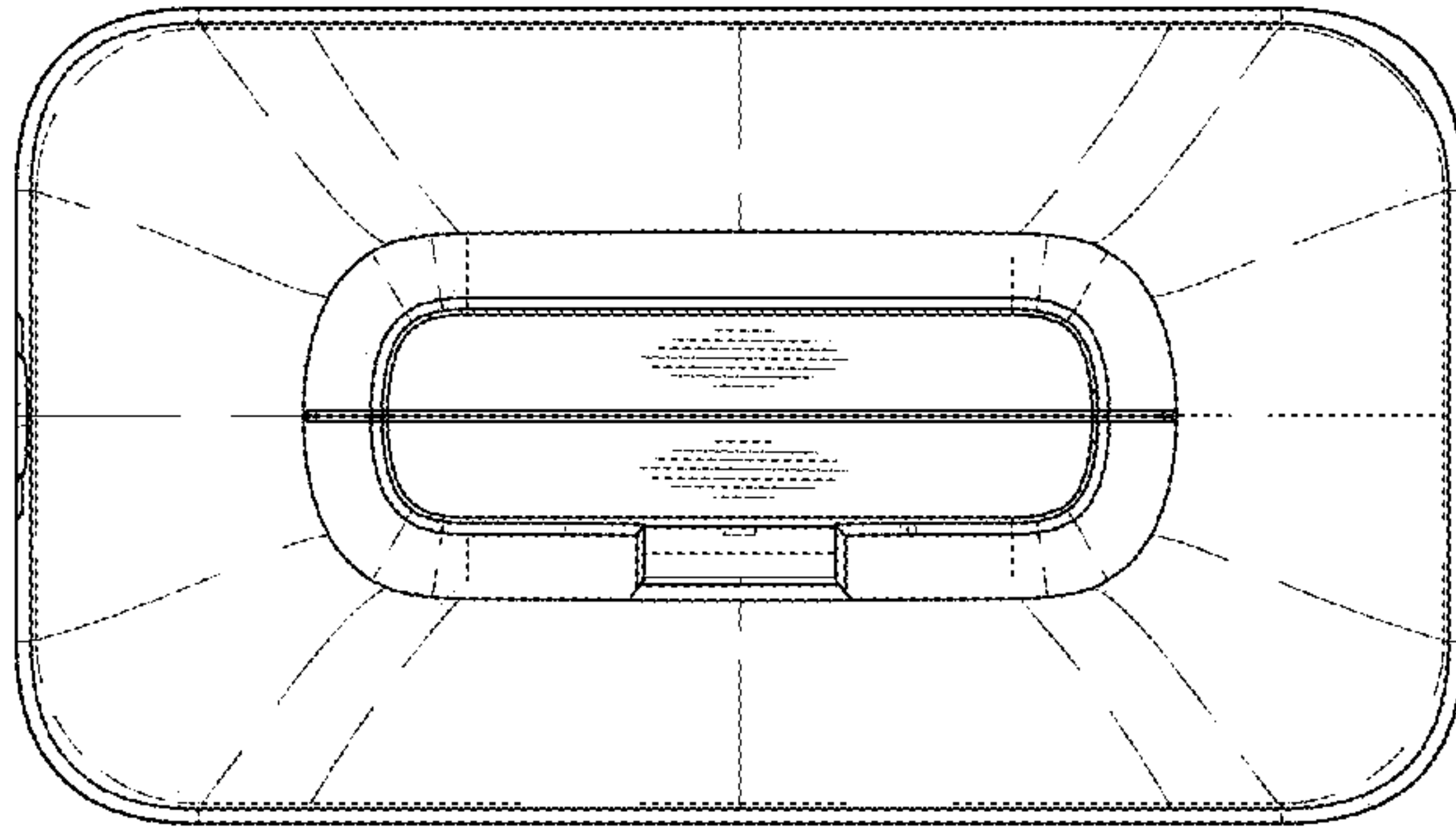


FIG.6

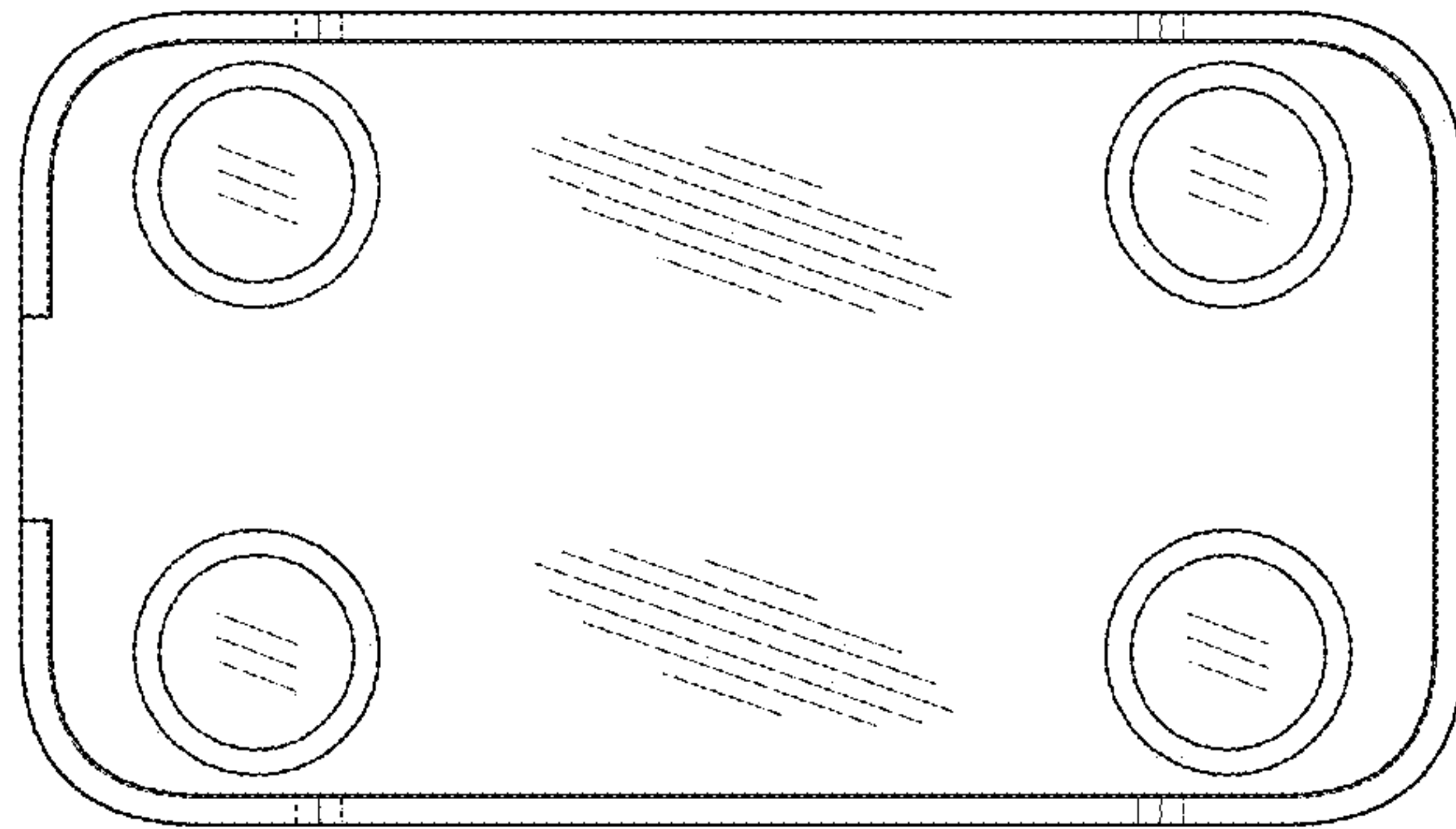


FIG. 7