



US00D930627S

(12) **United States Design Patent** (10) **Patent No.:** **US D930,627 S**
Ruhman et al. (45) **Date of Patent:** **** Sep. 14, 2021**

(54) **ANTENNA**

(71) Applicant: **Wilson Electronics, LLC**, St. George, UT (US)

(72) Inventors: **Brooks Stephen Ruhman**, Dallas, TX (US); **Scot Herbst**, Santa Cruz, CA (US); **Will Hunter**, Denver, CO (US); **Patrick Tufts**, Hamilton, OH (US); **Ellen Posch**, Cleveland Heights, OH (US)

(**) Term: **15 Years**

(21) Appl. No.: **29/686,179**

(22) Filed: **Apr. 2, 2019**

(51) **LOC (13) Cl.** **14-03**

(52) **U.S. Cl.**
USPC **D14/230**

(58) **Field of Classification Search**
USPC D14/138, 230–238, 299, 358
CPC H01Q 7/00; H01Q 13/10; H01Q 9/285;
H01Q 19/30; H01Q 19/12; H01Q 1/38;
H01Q 1/36; H04B 1/0475; H04B 1/034;
H05K 11/00
See application file for complete search history.

(56) **References Cited**

U.S. PATENT DOCUMENTS

| | | | | |
|----------------|---------|------------|-------|-------------|
| D157,090 S * | 1/1950 | Schmidt | | D14/234 |
| D405,090 S * | 2/1999 | Guttadauro | | D14/230 |
| 7,091,912 B2 * | 8/2006 | Iacovella | | H01Q 1/1207 |
| | | | | 343/711 |
| D558,190 S * | 12/2007 | Cislo | | D14/230 |

| | | | | |
|--------------|---------|--------------|-------|---------|
| D558,764 S * | 1/2008 | Kuo | | D14/230 |
| D559,838 S * | 1/2008 | Yuba | | D14/230 |
| D595,700 S * | 7/2009 | Cook | | D14/234 |
| D684,563 S * | 6/2013 | Meek | | D14/230 |
| D711,358 S * | 8/2014 | Jeon | | D14/230 |
| D775,110 S * | 12/2016 | Tsen | | D14/230 |
| D819,632 S * | 6/2018 | Lin | | D14/358 |
| D879,078 S * | 3/2020 | Boggs | | D14/230 |
| D895,585 S * | 9/2020 | Ruhman | | D14/230 |
| D919,607 S * | 5/2021 | Chen | | D14/230 |
| D922,889 S * | 6/2021 | Kentley-Klay | | D10/70 |
| D923,613 S * | 6/2021 | Yu | | D14/230 |

* cited by examiner

Primary Examiner — John Windmuller

(74) *Attorney, Agent, or Firm* — Jones Waldo Holbrook & McDonough, PC; Brent T. Winder

(57) **CLAIM**

The ornamental design for an antenna, as shown and described.

DESCRIPTION

FIG. 1 is a top perspective view of the presently claimed design.

FIG. 2 is a front view of the presently claimed design.

FIG. 3 is rear view of the presently claimed design.

FIG. 4 is a top view of the presently claimed design.

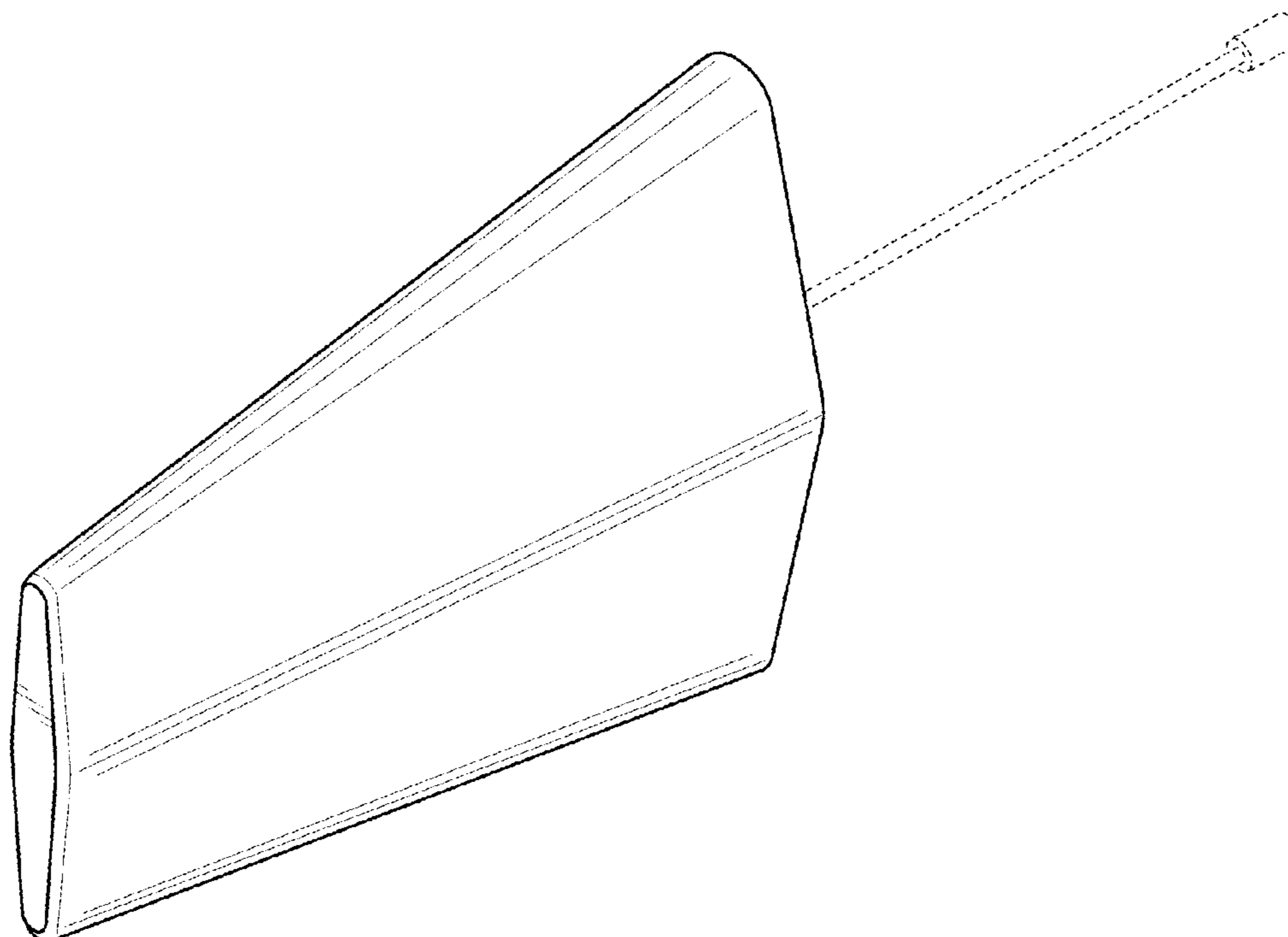
FIG. 5 is a bottom view of the presently claimed design.

FIG. 6 is a side view of the presently claimed design.

FIG. 7 is an opposite side view of the presently claimed design; and,

FIG. 8 is a bottom perspective view of the presently claimed design.

1 Claim, 4 Drawing Sheets



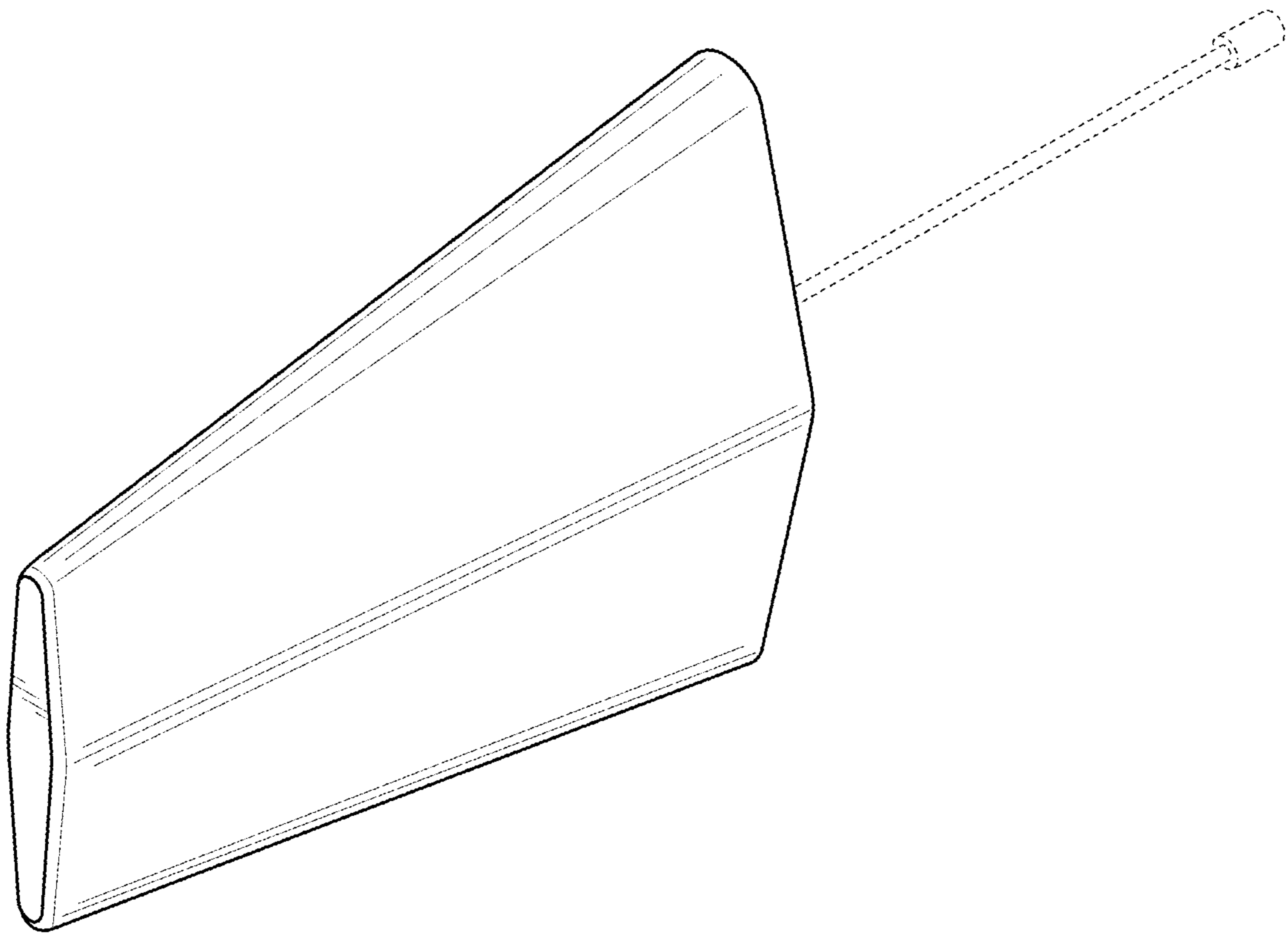


FIG. 1

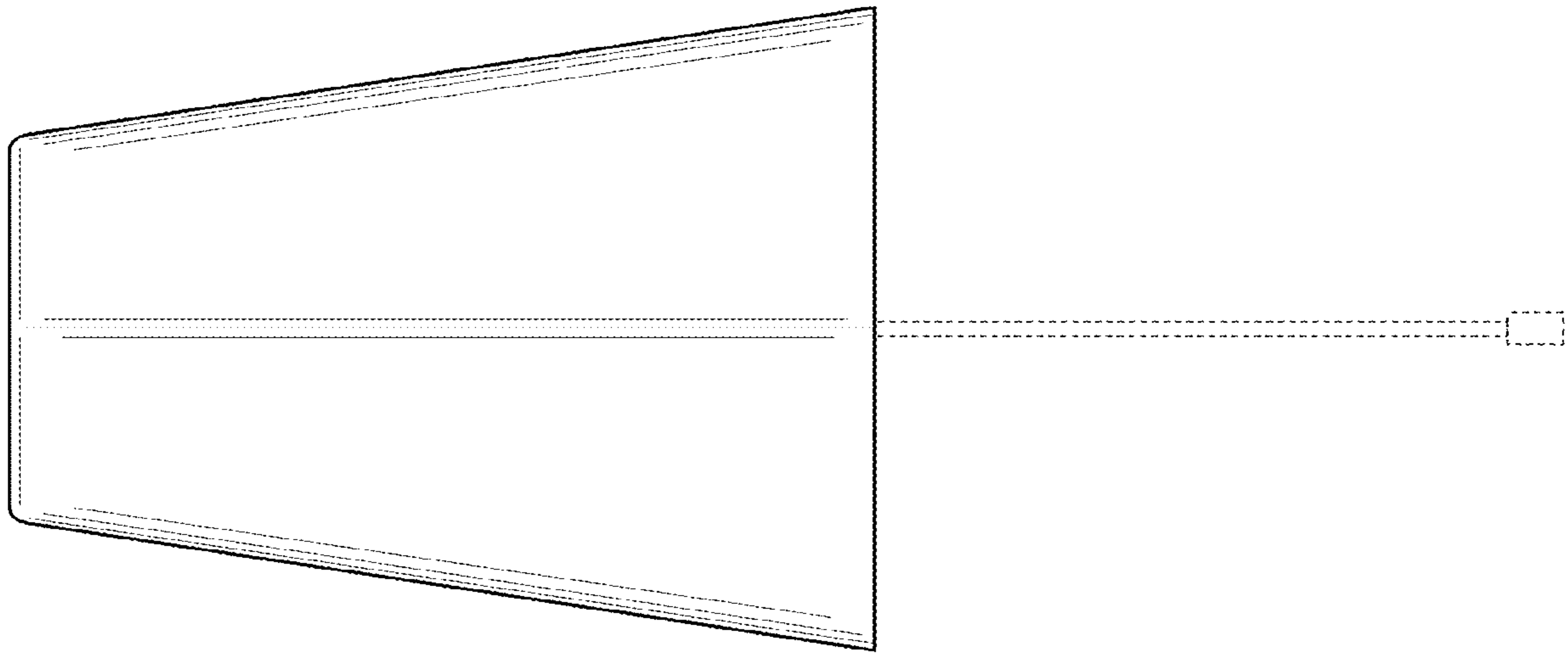


FIG. 2

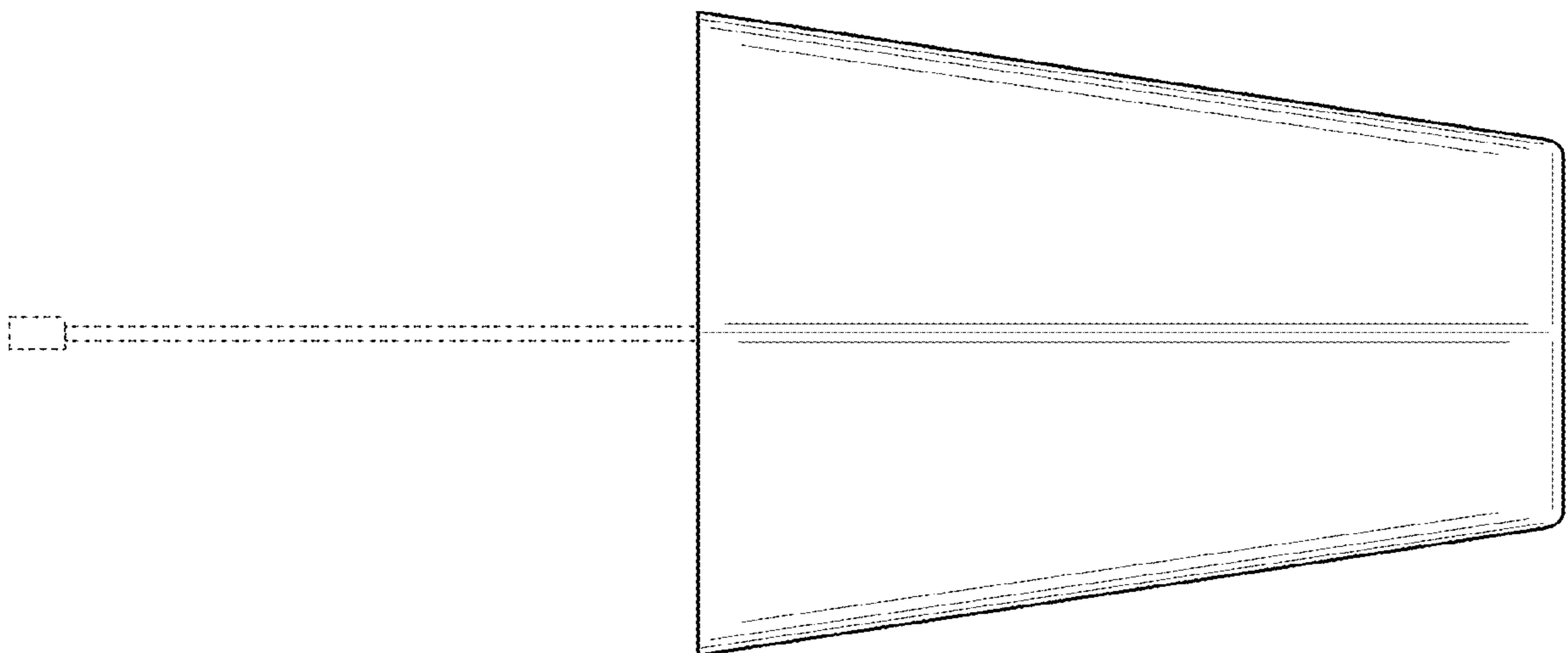


FIG. 3

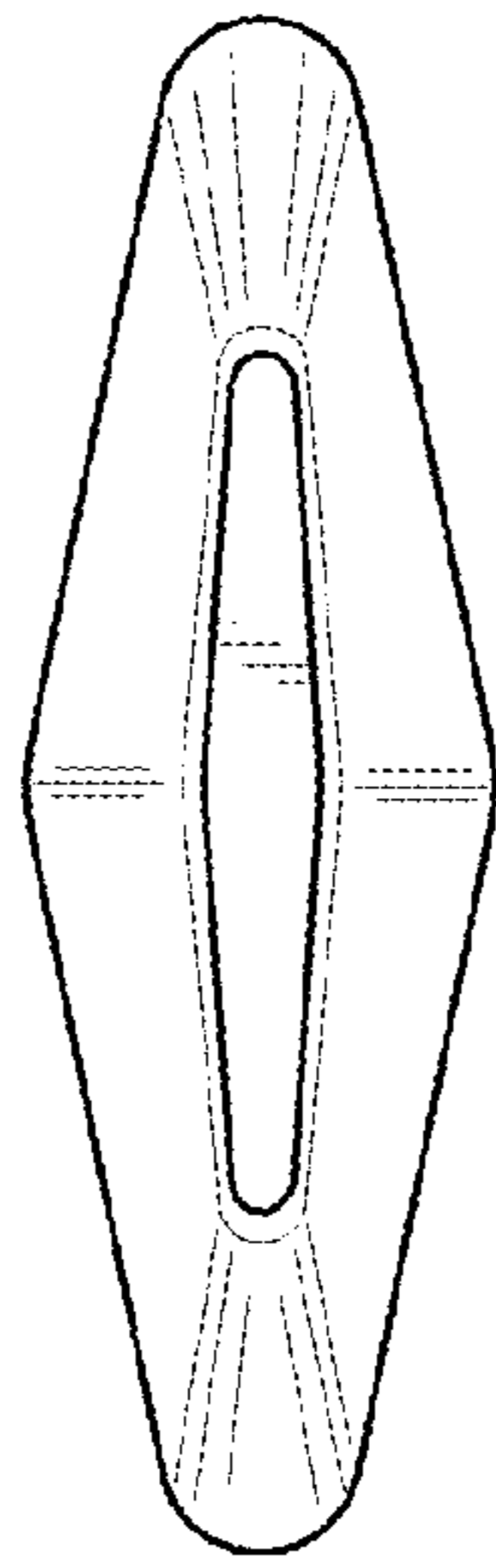


FIG. 4

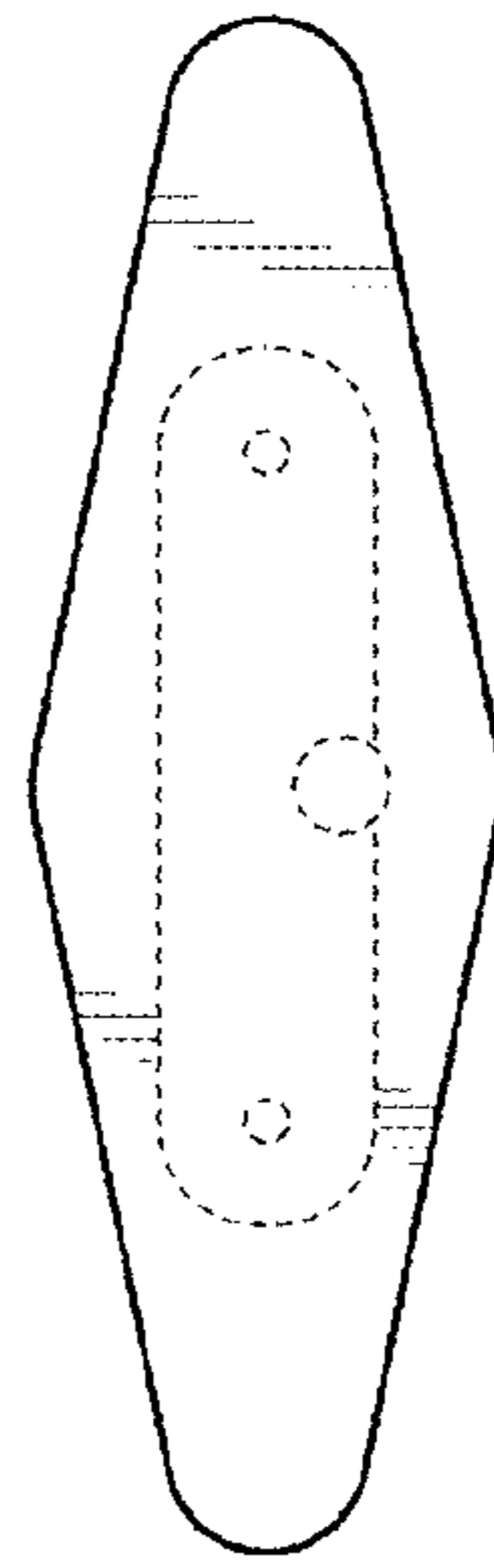


FIG. 5

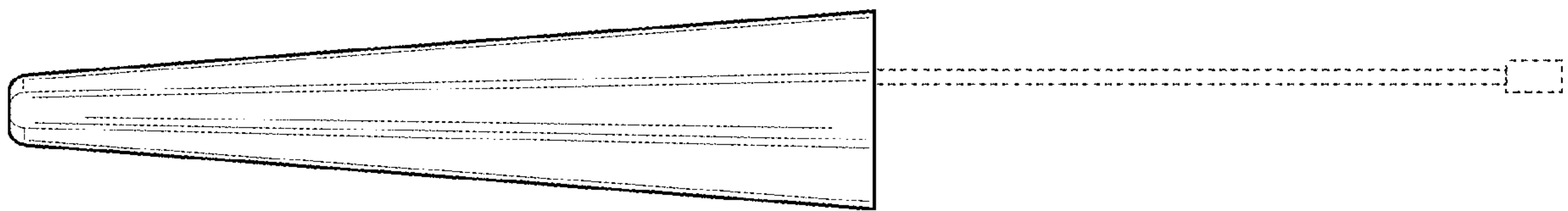


FIG. 6

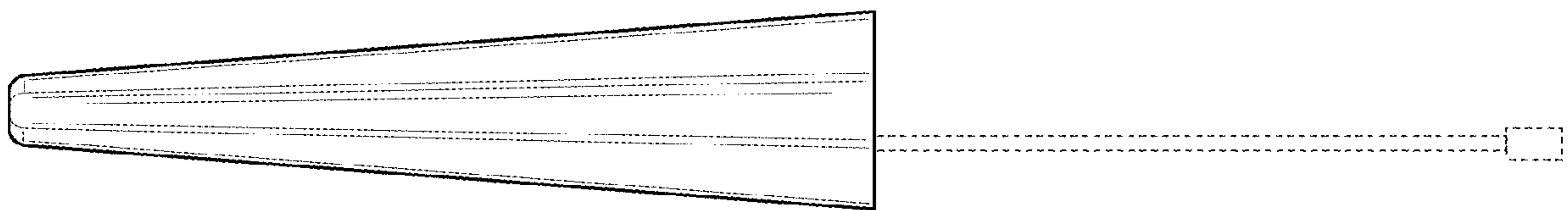


FIG. 7

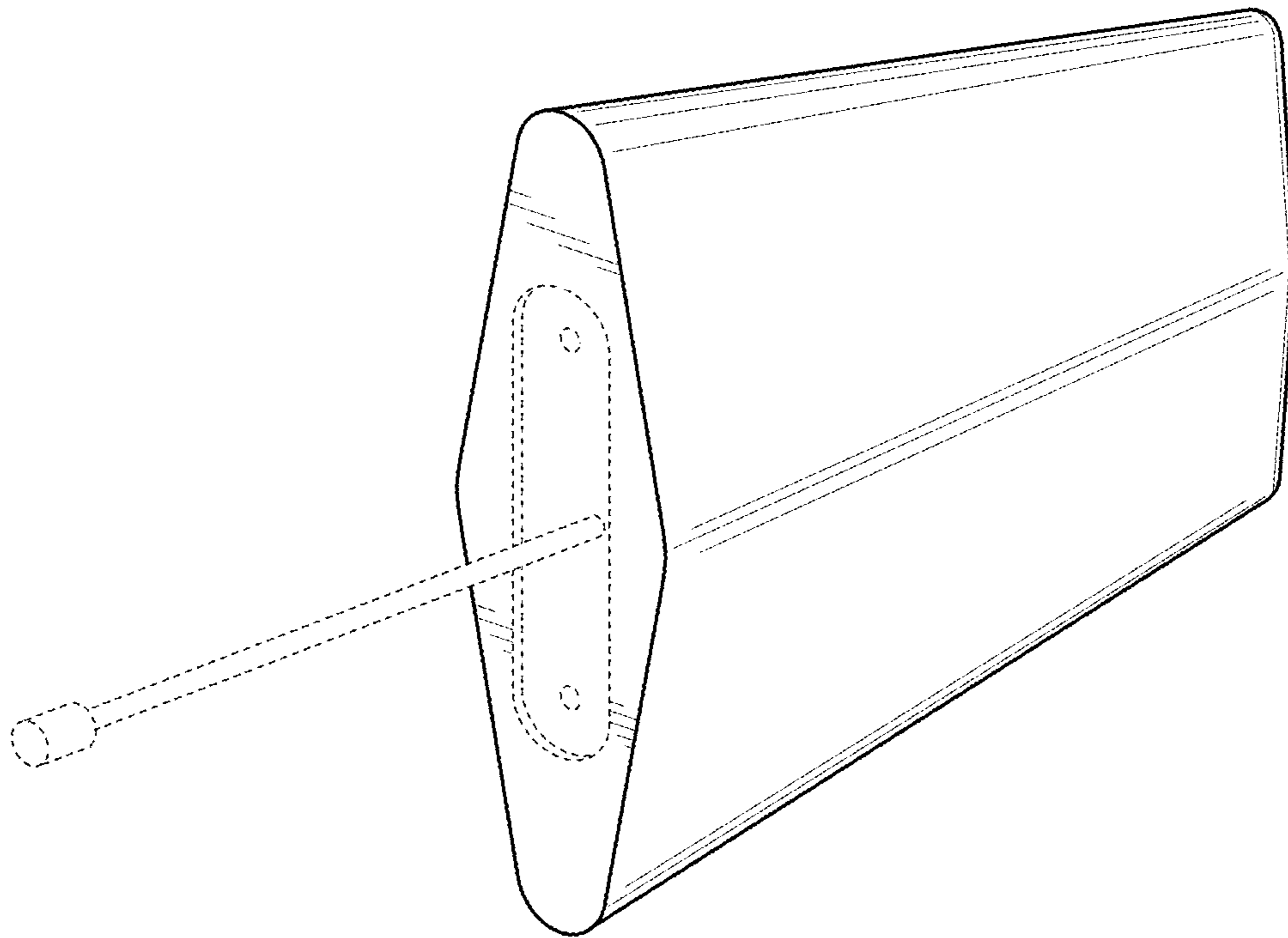


FIG. 8