

US00D930623S

(12) **United States Design Patent** (10) **Patent No.:** **US D930,623 S**  
**Liu** (45) **Date of Patent:** **\*\* Sep. 14, 2021**

(54) **EARPHONE AND EARPHONE BOX**

(74) *Attorney, Agent, or Firm* — ScienBiziP, P.C.

(71) Applicant: **Shenzhen NearbyExpress Technology Development Company Limited,**  
Shenzhen (CN)

(57) **CLAIM**

The ornamental design for an earphone and earphone box, as shown and described.

(72) Inventor: **Yu-Xiang Liu,** Shenzhen (CN)

(73) Assignee: **Shenzhen NearbyExpress Technology Development Company Limited,**  
Shenzhen (CN)

**DESCRIPTION**

(\*\*) Term: **15 Years**

FIG. 1 is a front perspective view of an earphone, of the earphone and earphone box, showing my new design, shown separately for ease of illustration;

(21) Appl. No.: **29/754,769**

FIG. 2 is a rear perspective view of an earphone in FIG. 1.

(22) Filed: **Oct. 14, 2020**

FIG. 3 is a front elevation view of an earphone in FIG. 1.

(30) **Foreign Application Priority Data**

FIG. 4 is a rear elevation view of an earphone in FIG. 1.

Aug. 20, 2020 (CN) ..... 202030479325.9

FIG. 5 is a left side elevation view of an earphone in FIG. 1.

(51) **LOC (13) Cl.** ..... **14-01**

FIG. 6 is a right side elevation view of an earphone in FIG. 1.

(52) **U.S. Cl.**

FIG. 7 is a top plan view of an earphone in FIG. 1.

USPC ..... **D14/223**

FIG. 8 is a bottom plan view of an earphone in FIG. 1.

(58) **Field of Classification Search**

FIG. 9 is an enlarged view of a portion of the earphone labeled 9 in FIG. 2.

USPC ..... D14/223, 205, 224; D13/108; D3/201,  
D3/295, 294; D9/420, 424, 529, 521,

FIG. 10 is a front perspective view of an earphone box, of the earphone and earphone box, shown separately for ease of illustration;

(Continued)

FIG. 11 is a rear perspective view of an earphone box in FIG. 10.

(56) **References Cited**

**U.S. PATENT DOCUMENTS**

FIG. 12 is a front elevation view of an earphone box in FIG. 10.

1,578,165 A \* 3/1926 Mullen ..... H04R 1/12  
379/452

FIG. 13 is a rear elevation view of an earphone box in FIG. 10.

3,836,044 A \* 9/1974 Tilp ..... B65D 83/0805  
221/55

FIG. 14 is a left side elevation view of an earphone box in FIG. 10.

(Continued)

FIG. 15 is a right side elevation view of an earphone box in FIG. 10.

**FOREIGN PATENT DOCUMENTS**

EM 006402152-0001 \* 4/2019  
EM 007711726-0001 \* 2/2020

FIG. 16 is a top plan view of an earphone box in FIG. 10.

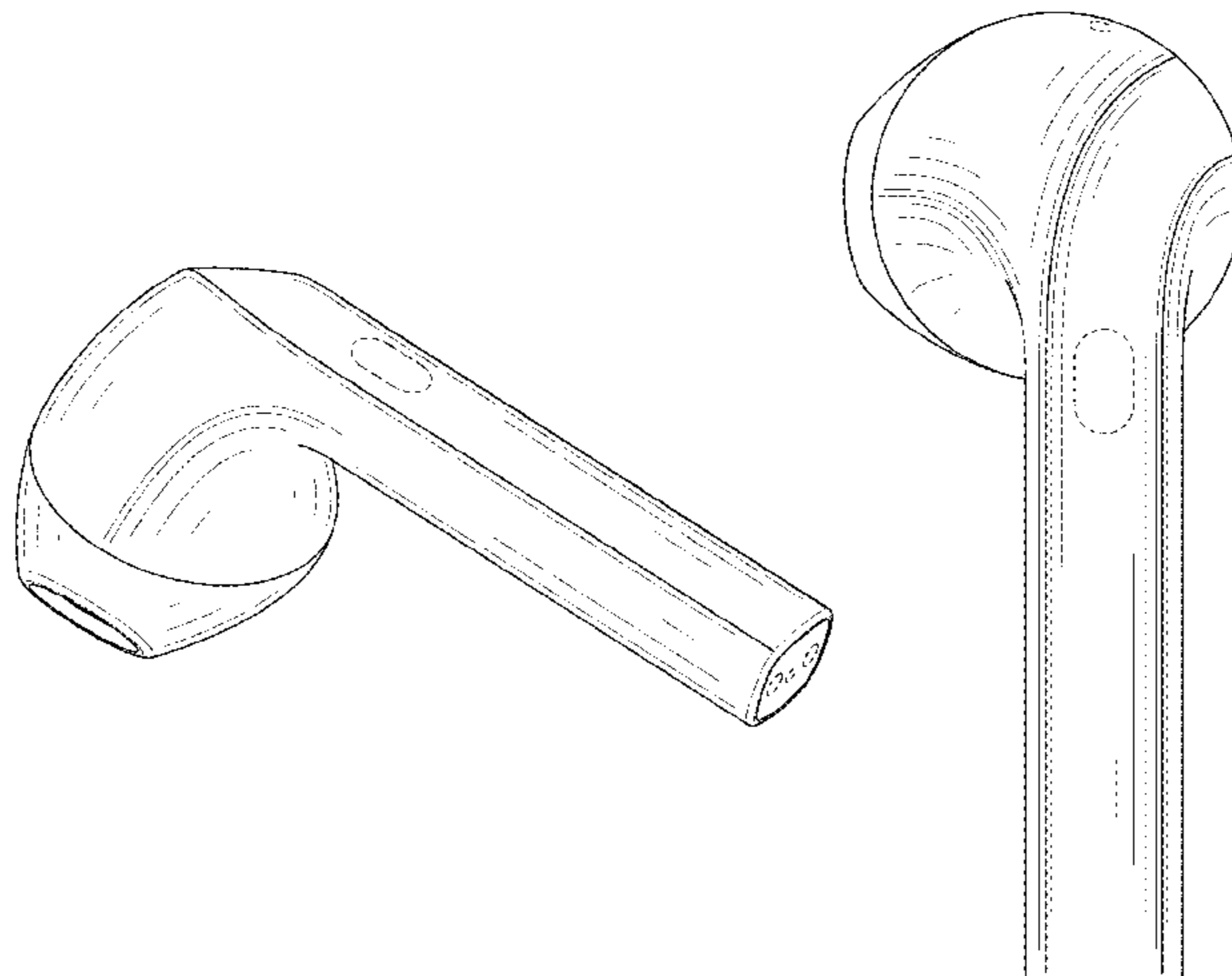
(Continued)

FIG. 17 is a bottom plan view of an earphone box in FIG. 10;

*Primary Examiner* — Paula Allen Greene

FIG. 18 is a front perspective view of assembly of an earphone and an earphone box showing my design, showing the earphone box accommodating the earphone and the earphone box in an open position.

(Continued)



The broken lines depict portions of the earphone and ear-phone box that form no part of the claimed design.

**1 Claim, 18 Drawing Sheets**

**(58) Field of Classification Search**

USPC ..... D9/734; D28/76, 66, 78, 83; 132/301, 132/295; 206/702; 220/4.22; D24/174; 128/864, 865, 866; 381/380, 381, 322, 381/328, 323; 320/110; 455/90.3, 575.1, 455/569.1  
 CPC ..... H02J 7/00034; H04R 1/10; H04R 25/00; H04R 25/02; H04R 1/1066; H04R 1/1016; H04R 5/033; H04R 5/0335; B65D 5/00; B65D 43/02; B65D 25/10  
 See application file for complete search history.

**(56) References Cited**

**U.S. PATENT DOCUMENTS**

5,420,935 A \* 5/1995 Shinohara ..... H04R 1/1016 381/370  
 D386,001 S \* 11/1997 Saffran ..... D9/423  
 D555,152 S \* 11/2007 Wang ..... D14/223  
 D569,720 S \* 5/2008 Lablaine ..... D9/420  
 D627,765 S \* 11/2010 Zheng ..... D14/223  
 D697,050 S \* 1/2014 Thompson ..... D14/206  
 8,965,030 B2 \* 2/2015 Aase ..... H04R 1/1016 381/380  
 D755,759 S \* 5/2016 Cai ..... D14/223  
 D801,314 S \* 10/2017 Akana ..... D14/223  
 D806,388 S \* 1/2018 Akana ..... D3/294  
 D818,268 S \* 5/2018 Akana ..... D3/294  
 D820,682 S \* 6/2018 Morgan ..... D9/529  
 D820,809 S \* 6/2018 Akana ..... D14/205  
 D823,246 S \* 7/2018 Lin ..... D13/108  
 D847,795 S \* 5/2019 Kim ..... D14/223  
 D849,401 S \* 5/2019 Akana ..... D3/274  
 D853,993 S \* 7/2019 Kuh ..... D14/223  
 D853,995 S \* 7/2019 Cai ..... D14/223  
 D861,647 S \* 10/2019 Chen ..... D14/223

D869,445 S \* 12/2019 Hu ..... D14/223  
 D882,259 S \* 4/2020 Liu ..... D3/269  
 D882,553 S \* 4/2020 Wu ..... D14/223  
 D886,453 S \* 6/2020 Wright ..... D3/294  
 D888,408 S \* 6/2020 Lee ..... D3/201  
 D888,662 S \* 6/2020 Cramer ..... D13/108  
 D889,437 S \* 7/2020 Ando ..... D14/223  
 D890,091 S \* 7/2020 Cramer ..... D13/108  
 D893,184 S \* 8/2020 Liu ..... D3/294  
 D893,185 S \* 8/2020 Liu ..... D3/294  
 D896,788 S \* 9/2020 Akana ..... D14/223  
 D897,678 S \* 10/2020 Koh ..... D3/294  
 D897,997 S \* 10/2020 Zhang ..... D14/223  
 D898,664 S \* 10/2020 Bhutani ..... D13/108  
 D901,457 S \* 11/2020 Zhang ..... D14/223  
 D902,588 S \* 11/2020 Zhang ..... D3/294  
 D904,025 S \* 12/2020 Ma ..... D3/295  
 D906,299 S 12/2020 Luo  
 D907,009 S \* 1/2021 Akana ..... D14/223  
 D910,553 S \* 2/2021 Cramer ..... D13/108  
 D910,601 S \* 2/2021 Hu ..... D14/223  
 D911,027 S \* 2/2021 Liang ..... D3/274  
 D911,950 S \* 3/2021 Zhang ..... D13/108  
 10,966,047 B1 \* 3/2021 Tong ..... H04R 29/006  
 D918,138 S \* 5/2021 Ma ..... D13/108  
 D923,609 S \* 6/2021 Li ..... D14/223  
 2012/0275635 A1 \* 11/2012 Chen ..... H04R 1/1075 381/380  
 2015/0382100 A1 \* 12/2015 Azmi ..... H04R 1/1016 381/380  
 2017/0093079 A1 \* 3/2017 Wagman ..... H04R 1/02  
 2017/0164087 A1 \* 6/2017 Kurtz ..... H04R 1/105  
 2019/0373354 A1 \* 12/2019 Sondergaard ..... H01R 13/562  
 2020/0084532 A1 \* 3/2020 Lo ..... H02J 7/342  
 2020/0100010 A1 \* 3/2020 Yang ..... H03K 17/962  
 2020/0107098 A1 \* 4/2020 DiFonzo ..... H01F 41/0246  
 2020/0304896 A1 \* 9/2020 Cohen ..... H04R 1/1016  
 2021/0006889 A1 \* 1/2021 Geng ..... H02J 7/0045  
 2021/0014603 A1 \* 1/2021 Wei ..... G01V 3/088

**FOREIGN PATENT DOCUMENTS**

EM 007811294-0001 \* 4/2020  
 EM 008397962-0001 \* 1/2021  
 GB 9008172506-0001 \* 9/2020

\* cited by examiner

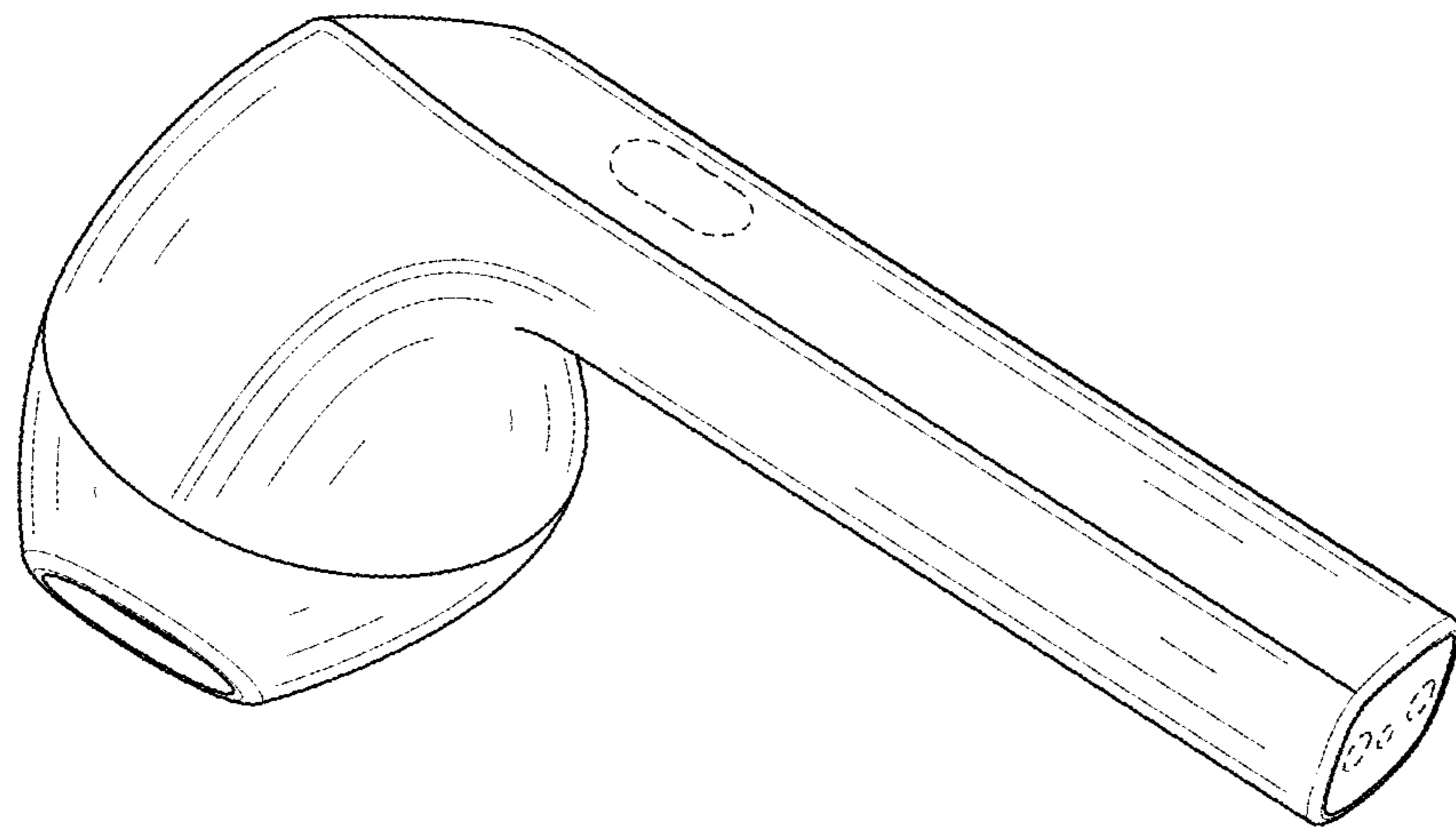


FIG. 1

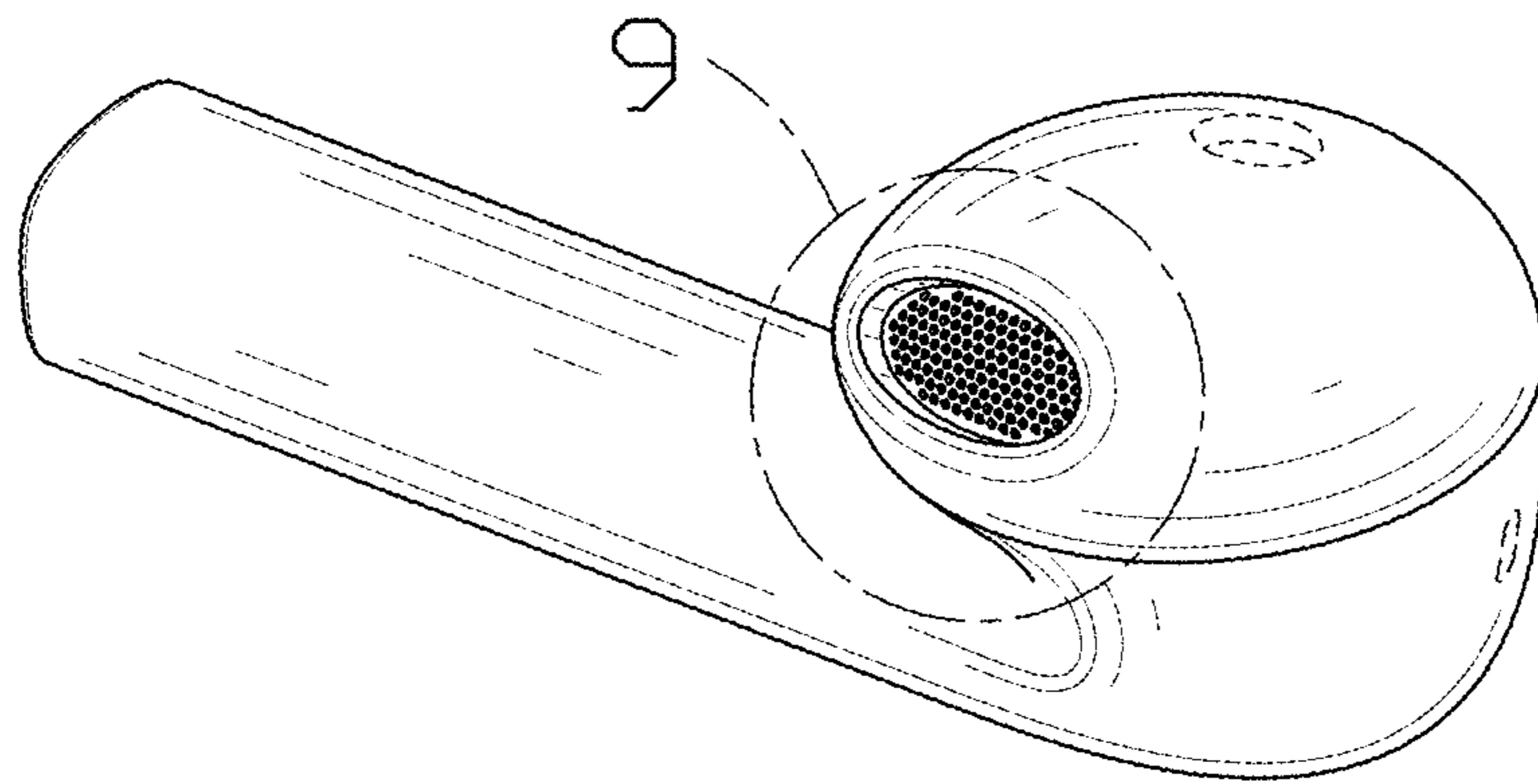


FIG. 2

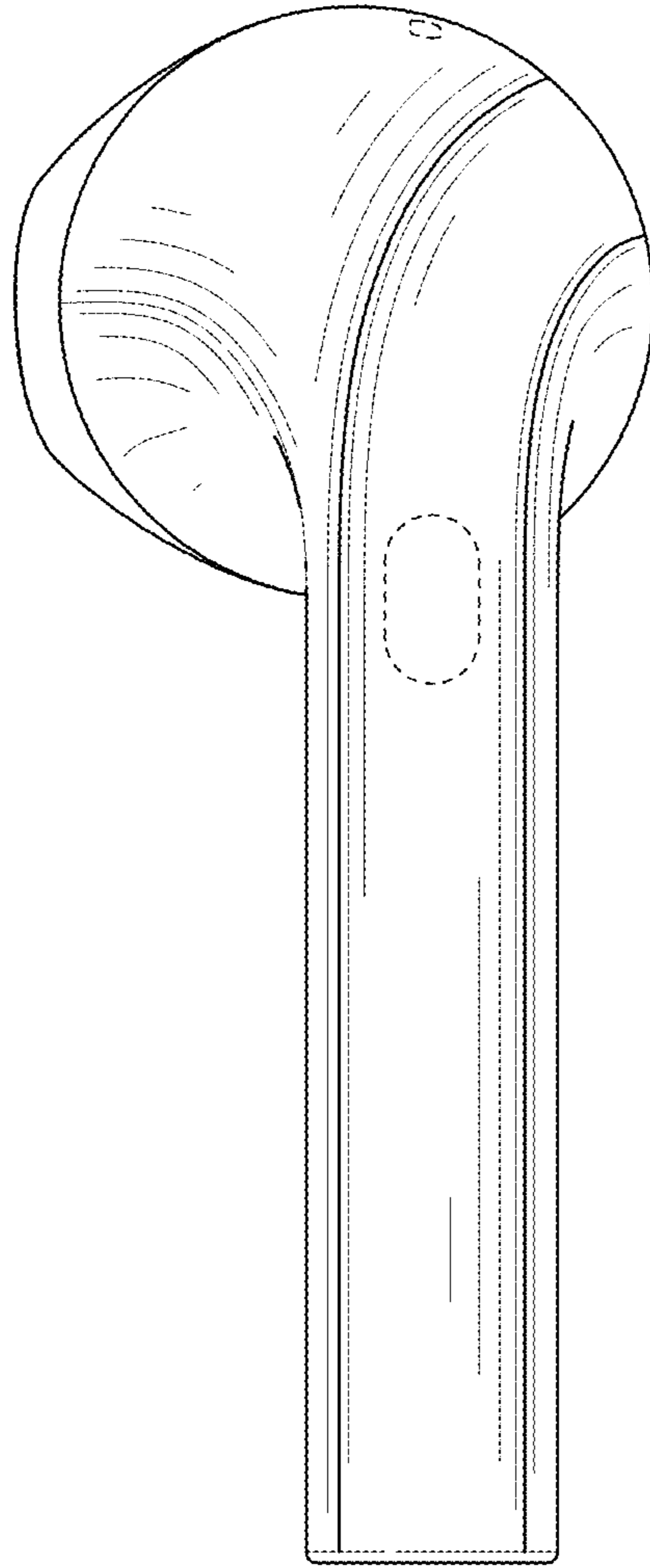


FIG. 3

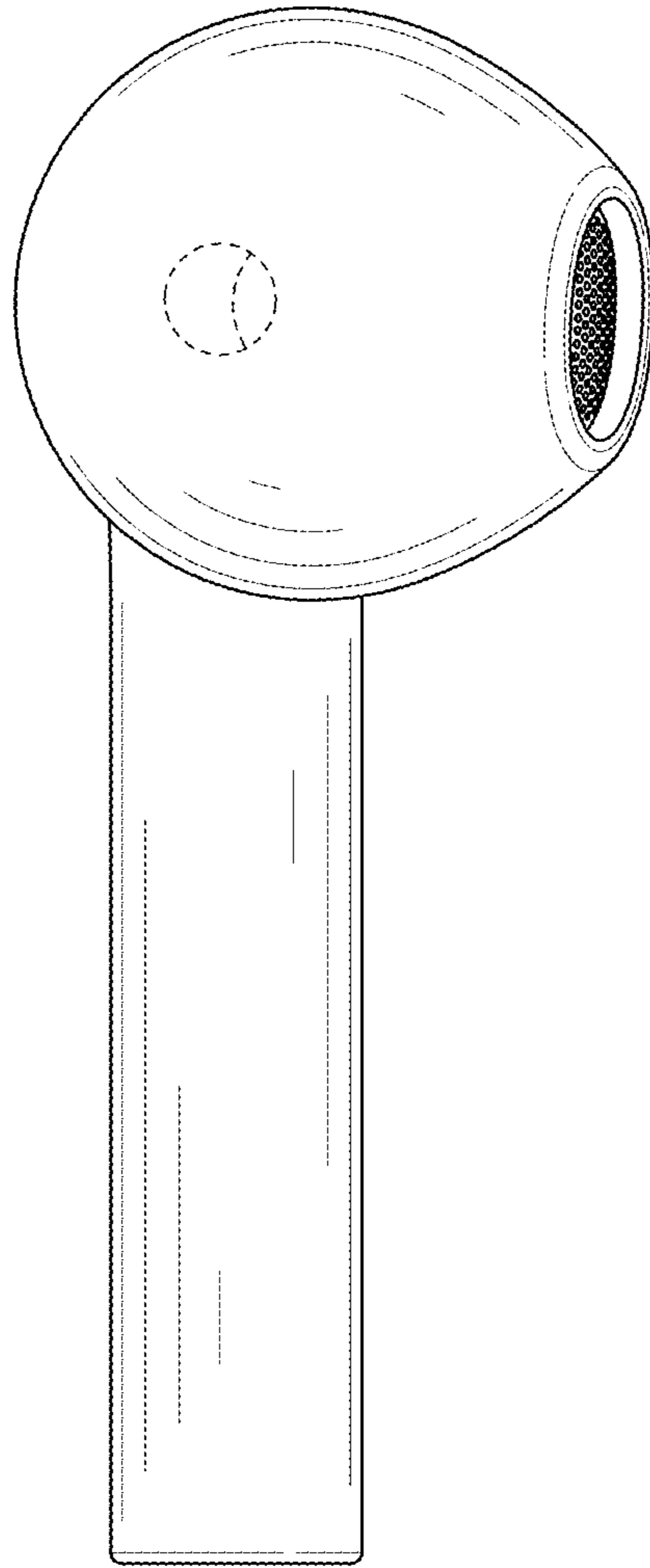


FIG. 4

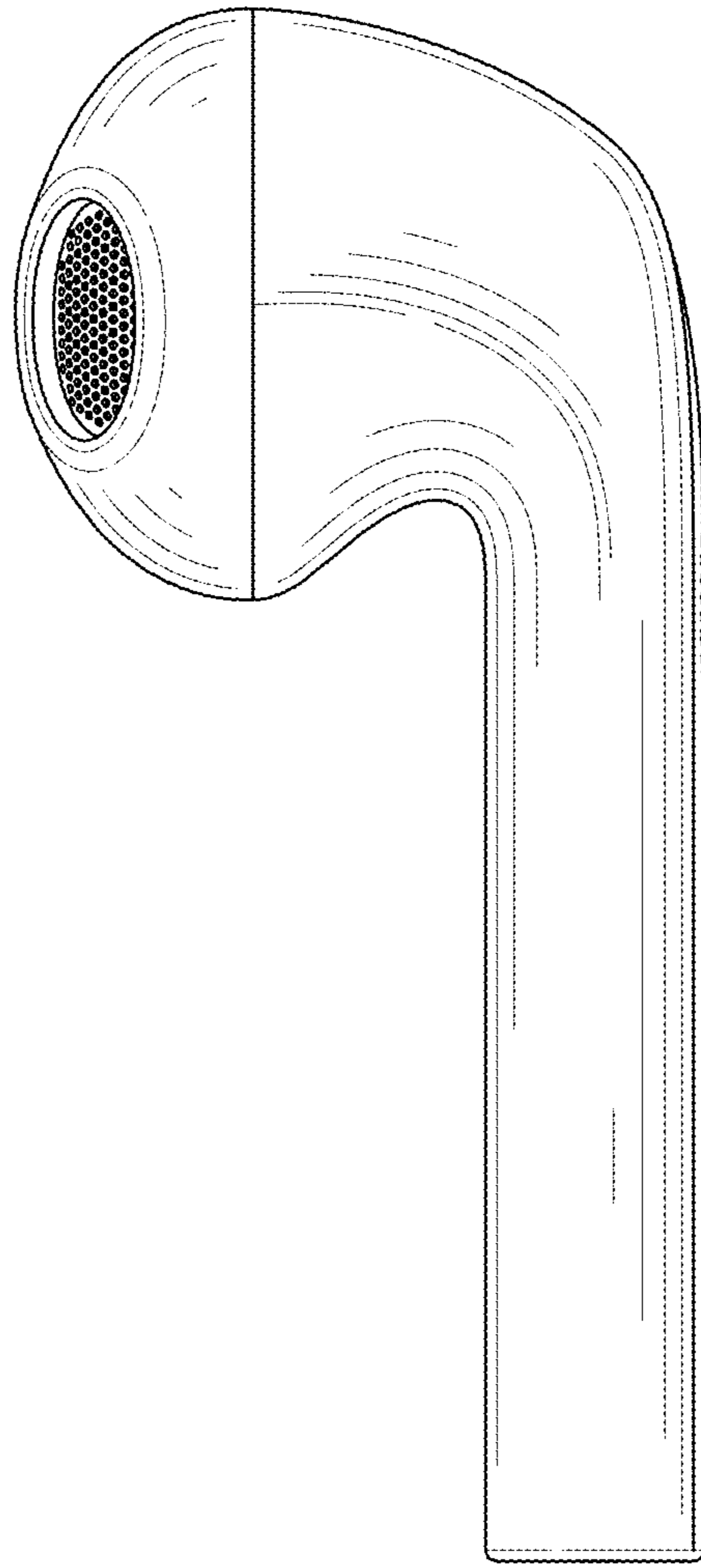


FIG. 5

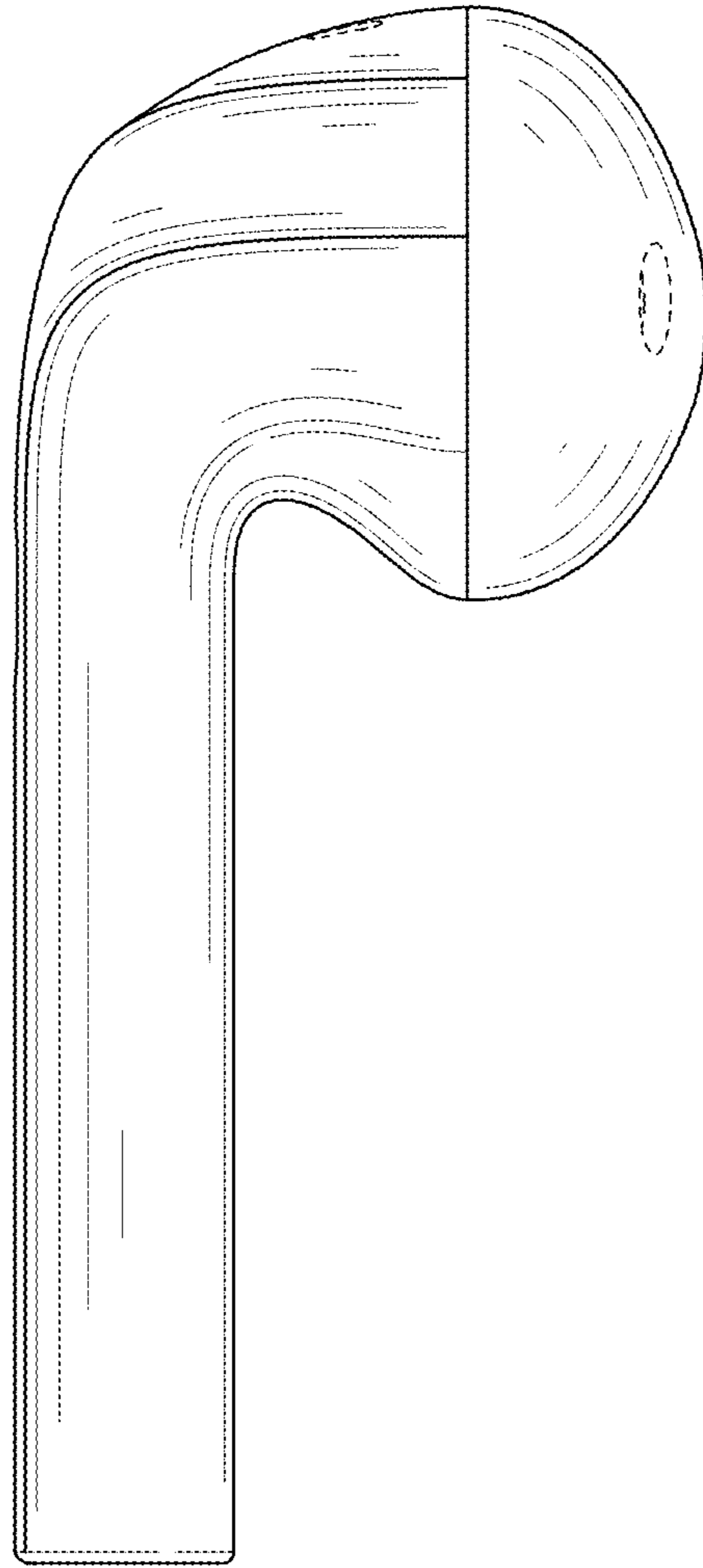


FIG. 6



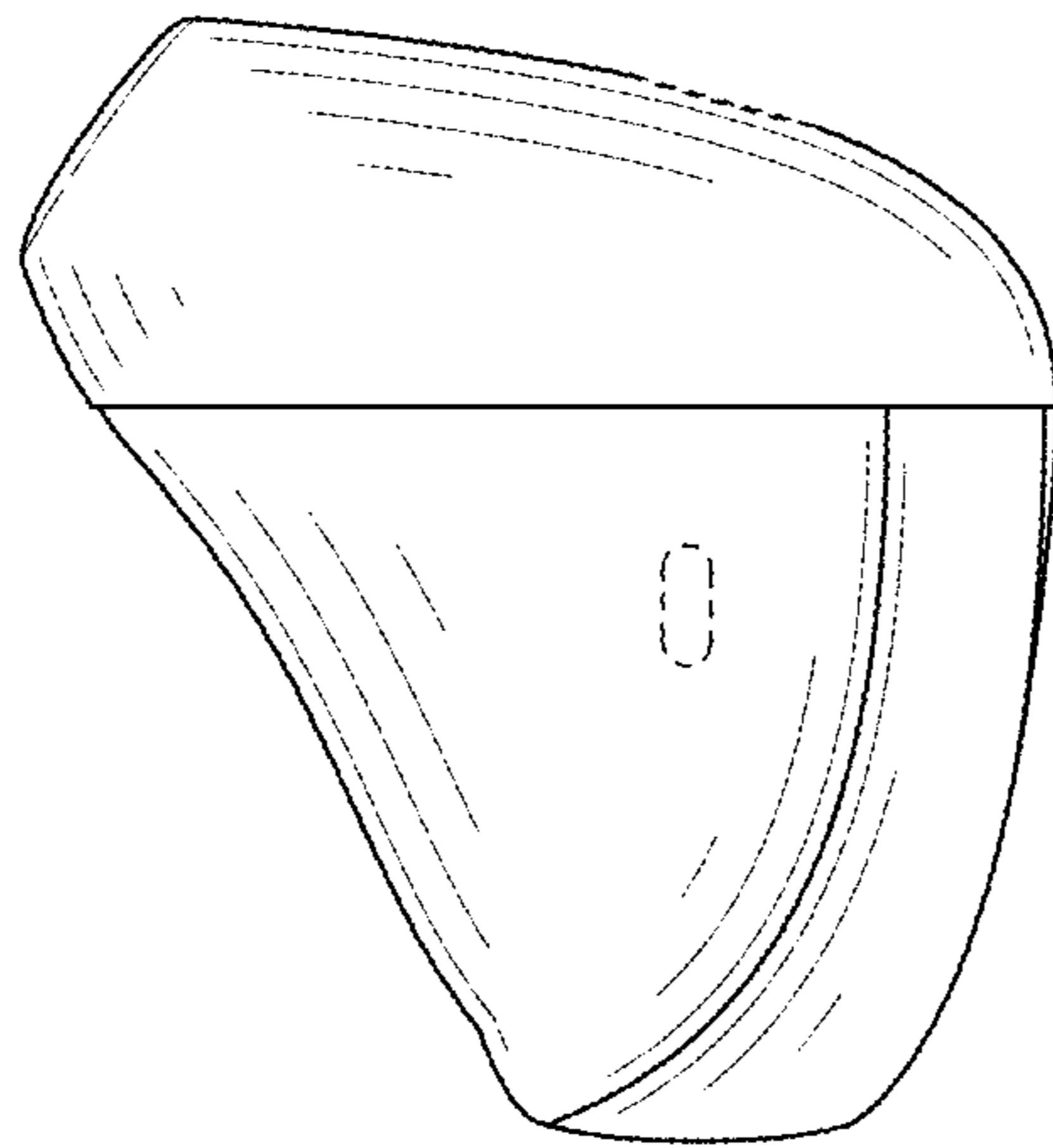


FIG. 7

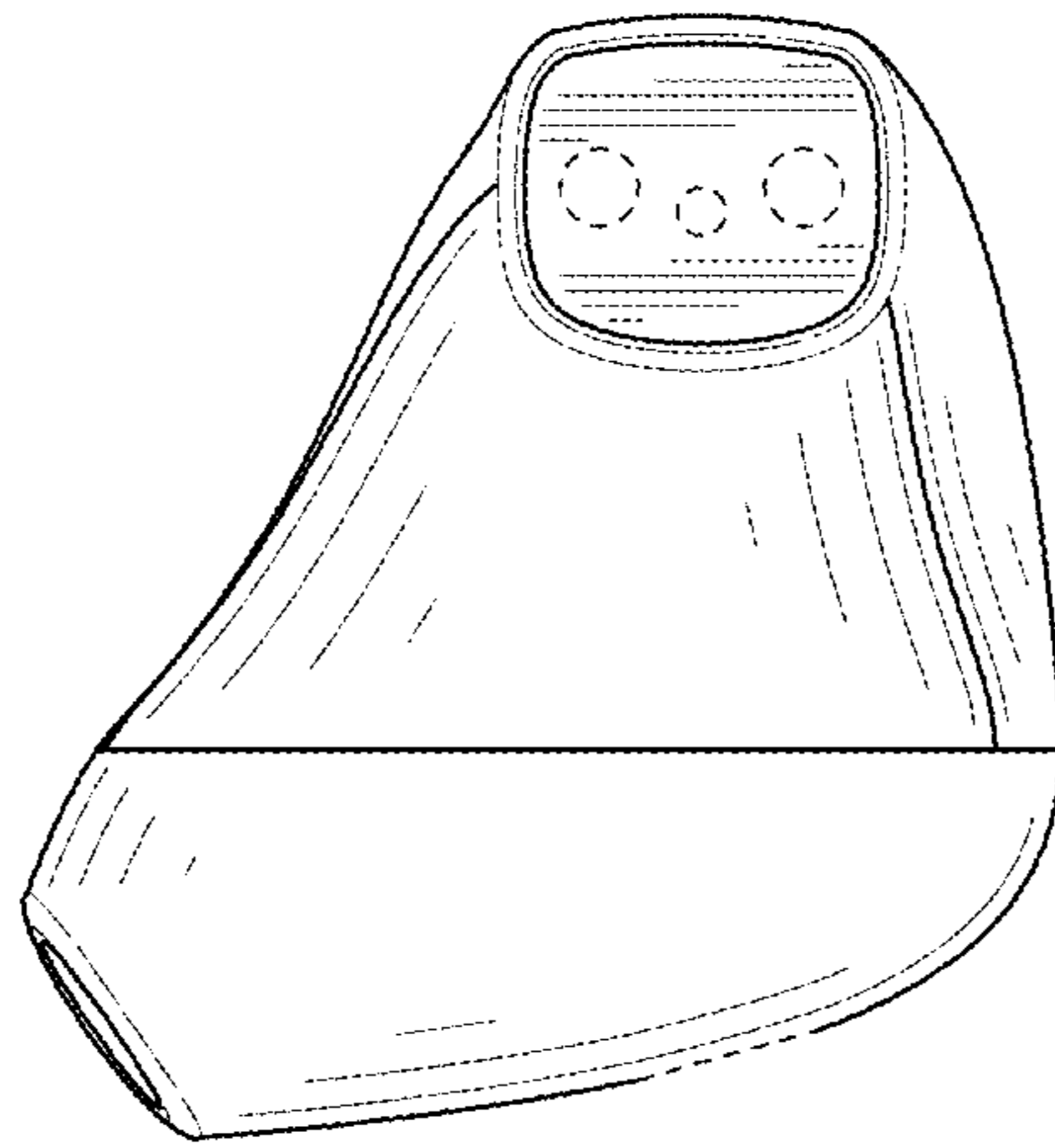


FIG. 8

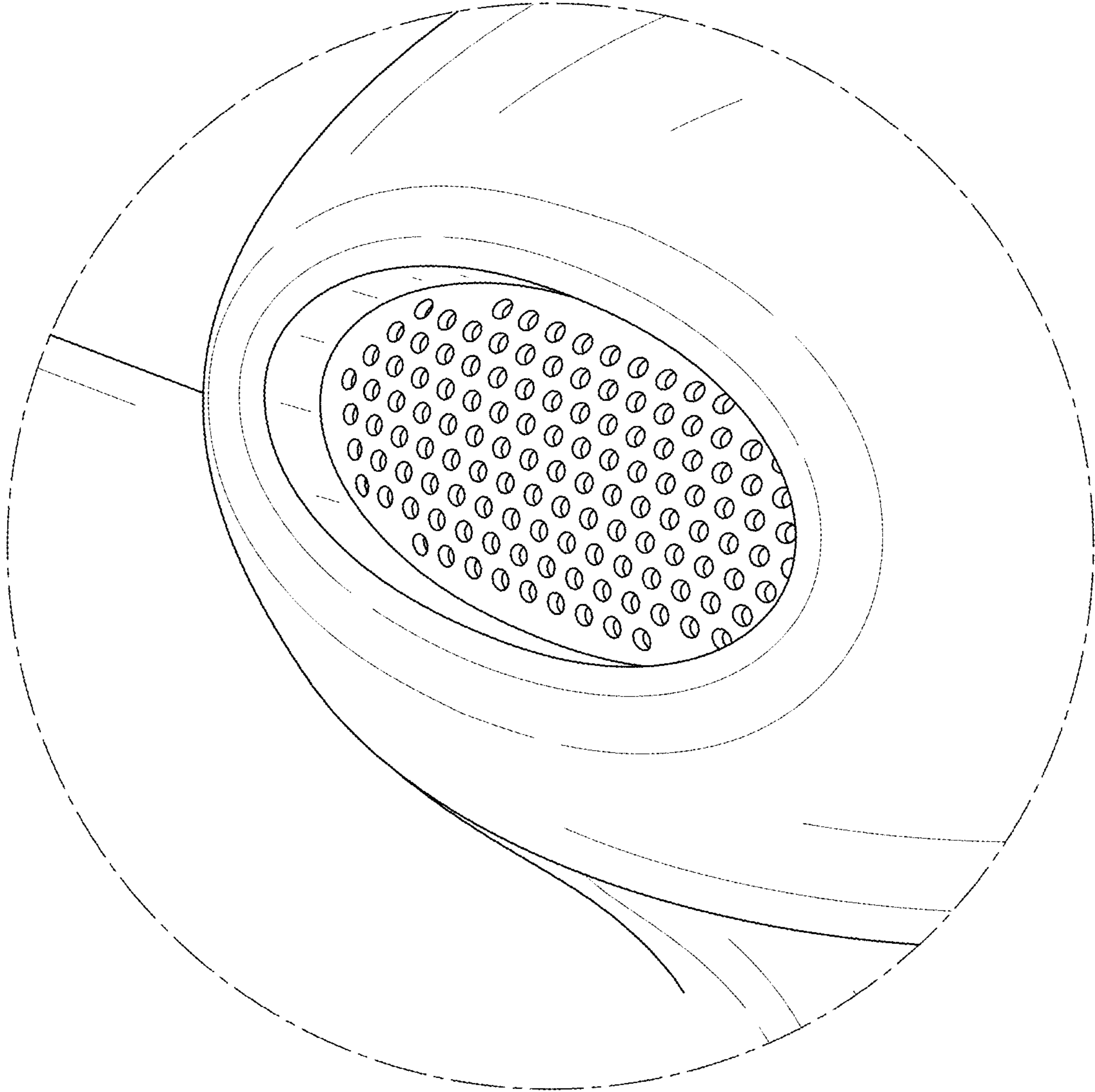


FIG. 9

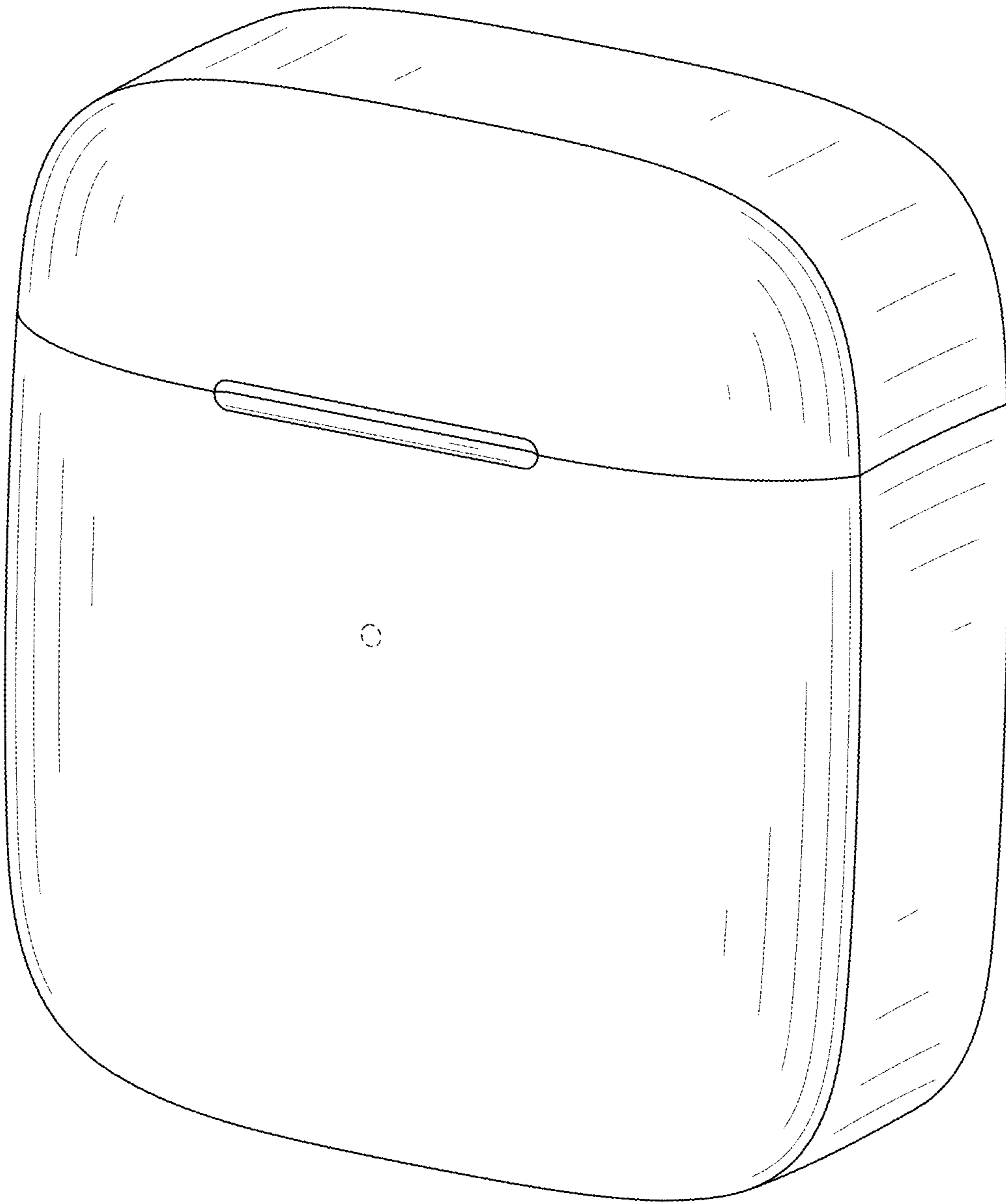


FIG. 10

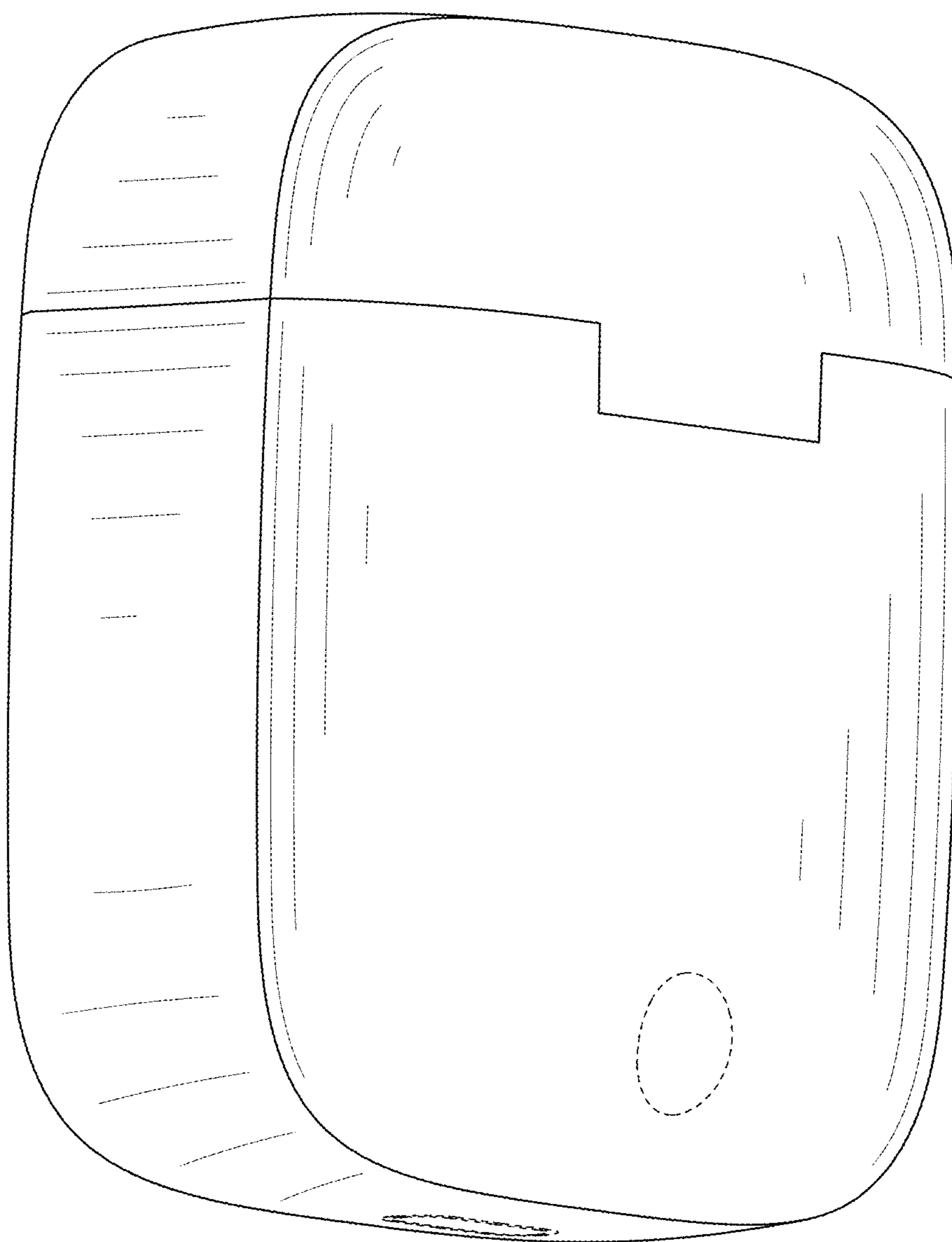


FIG. 11

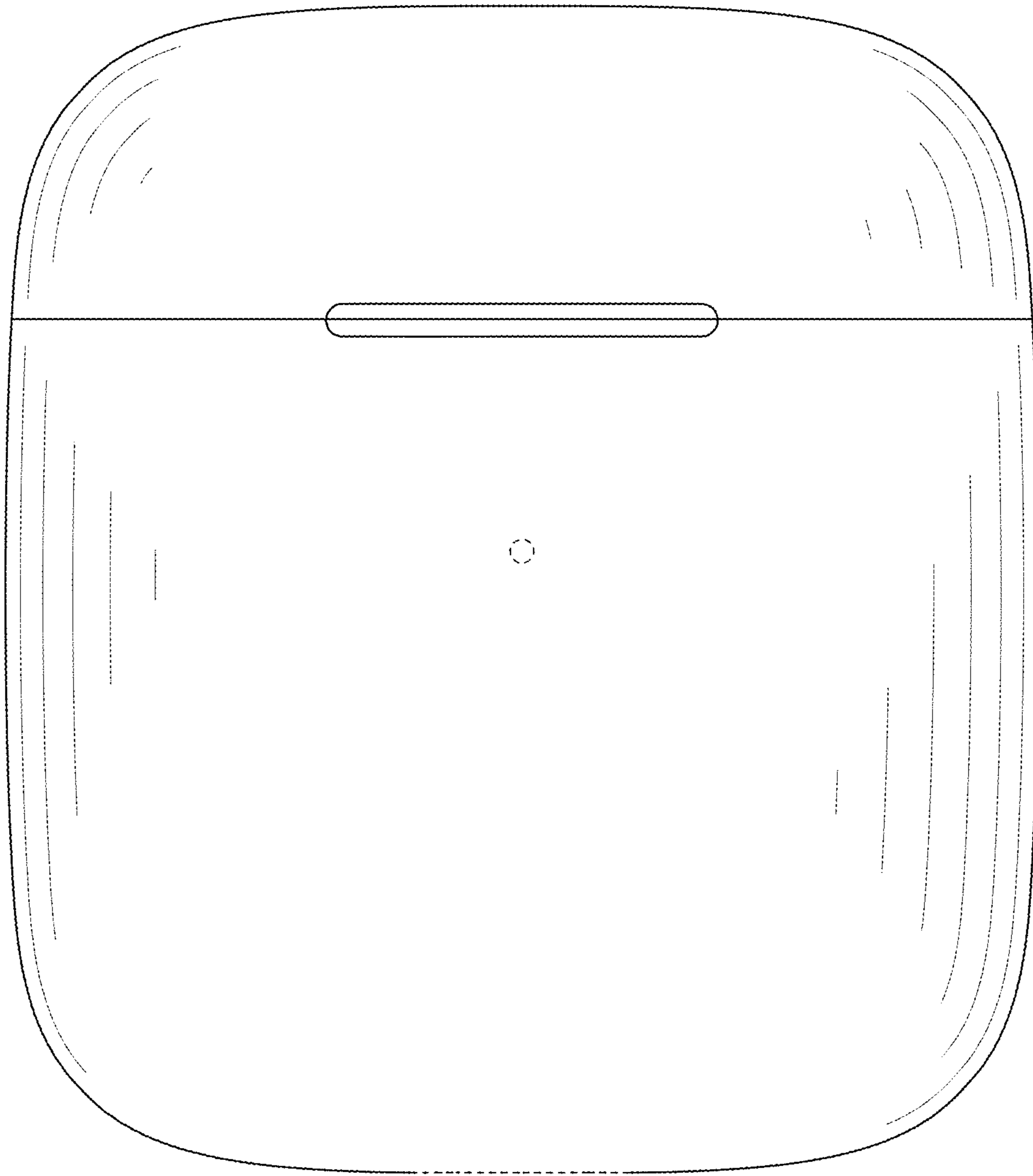


FIG. 12

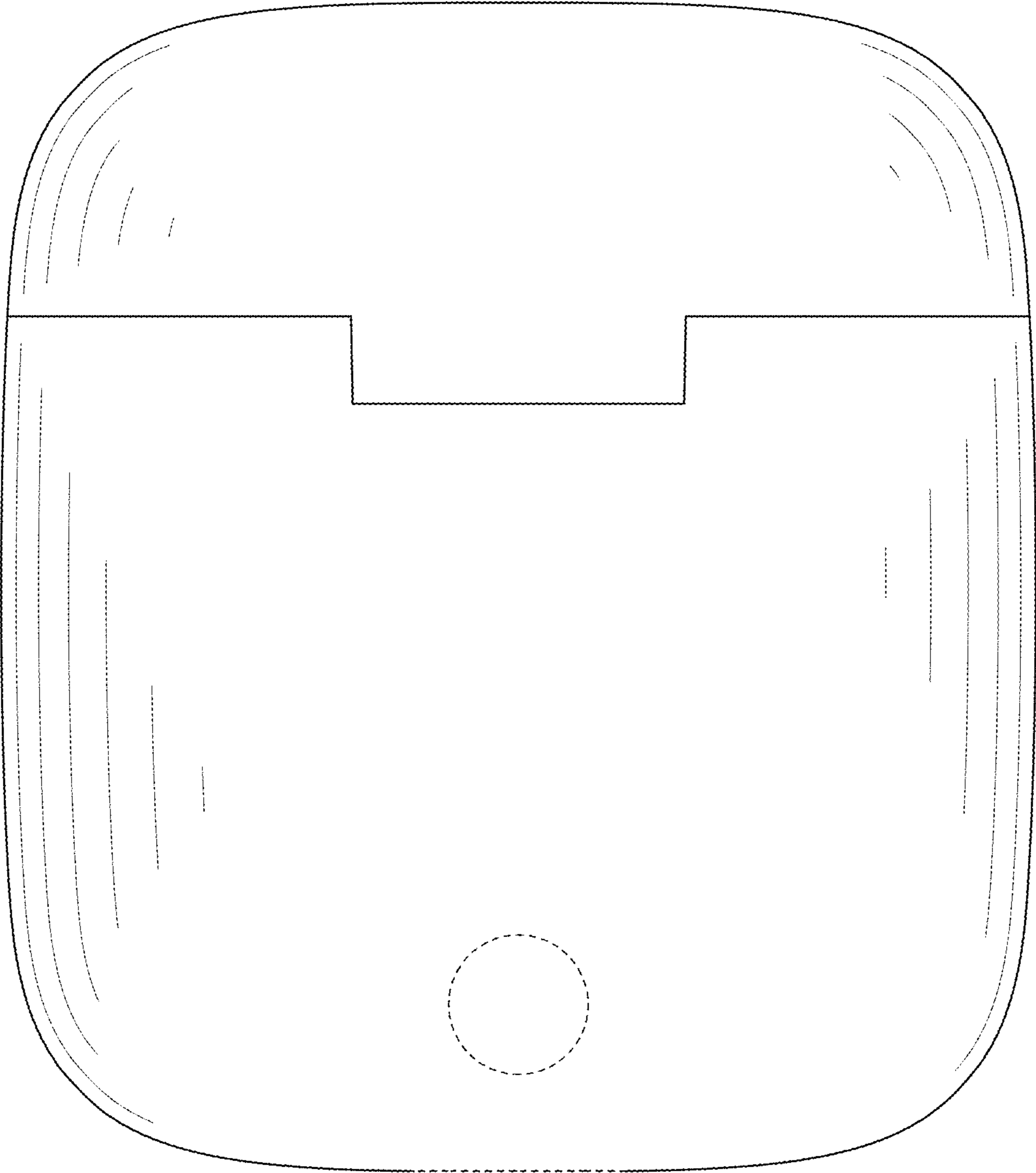


FIG. 13

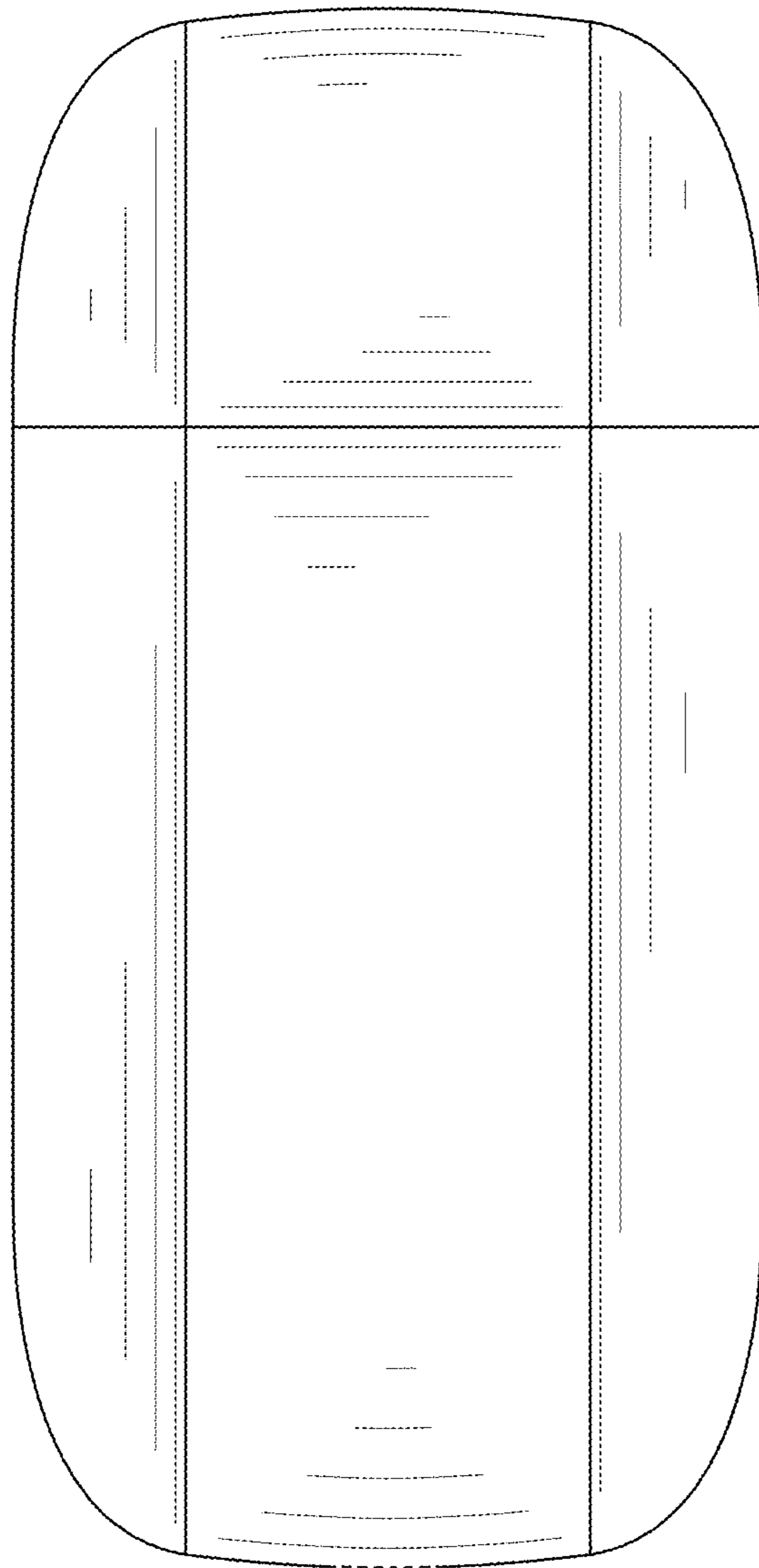


FIG. 14



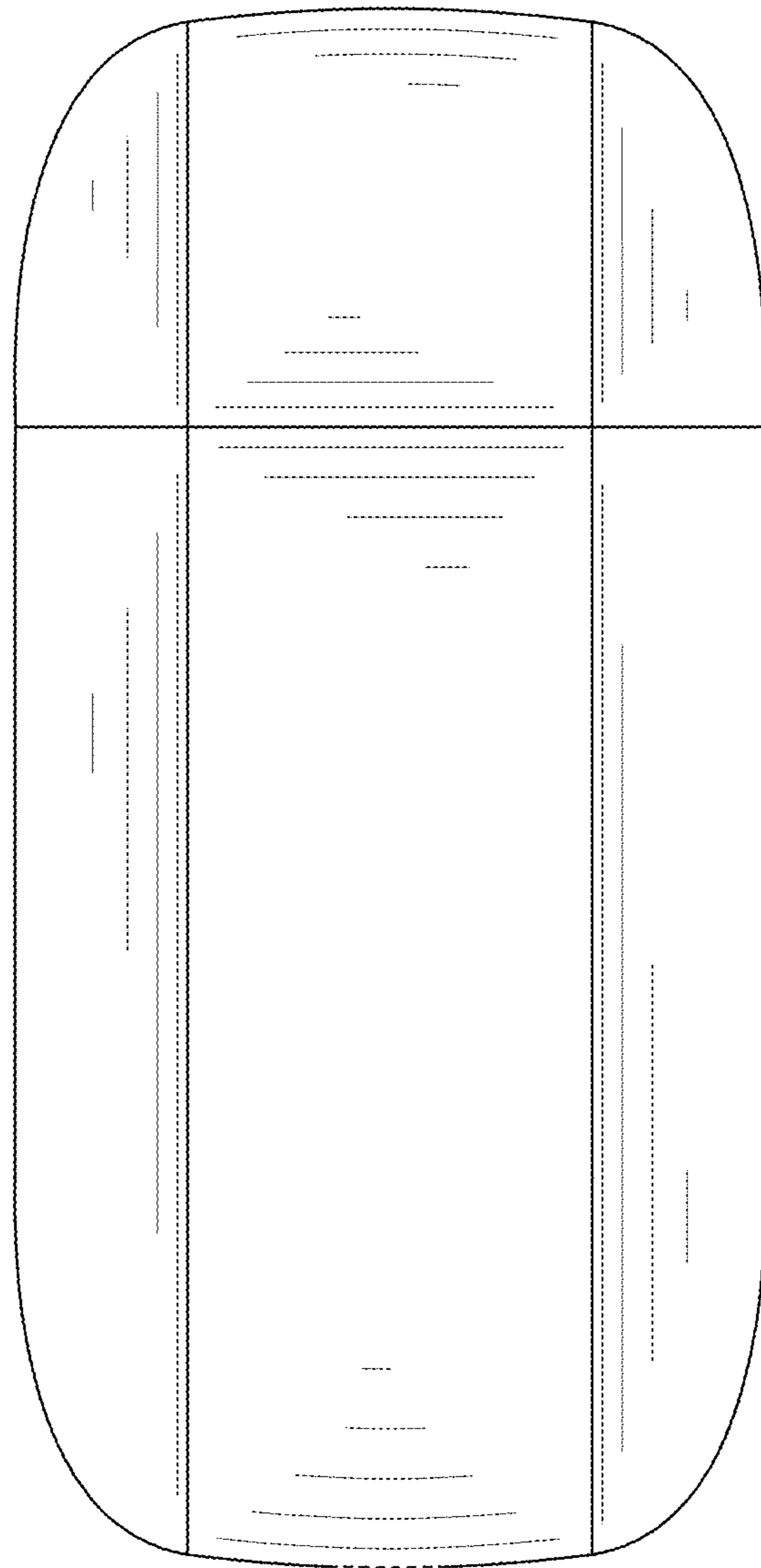


FIG. 15

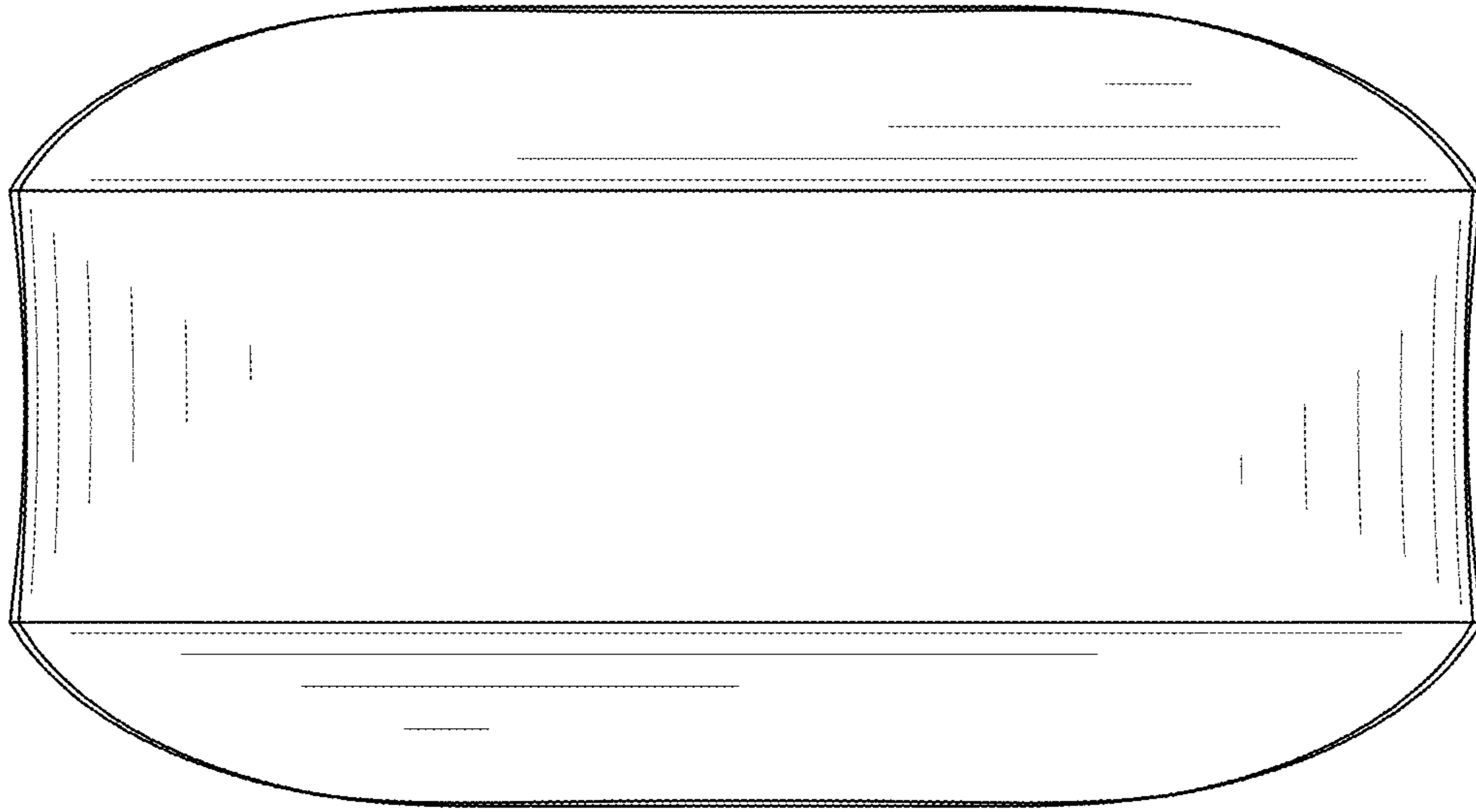


FIG. 16

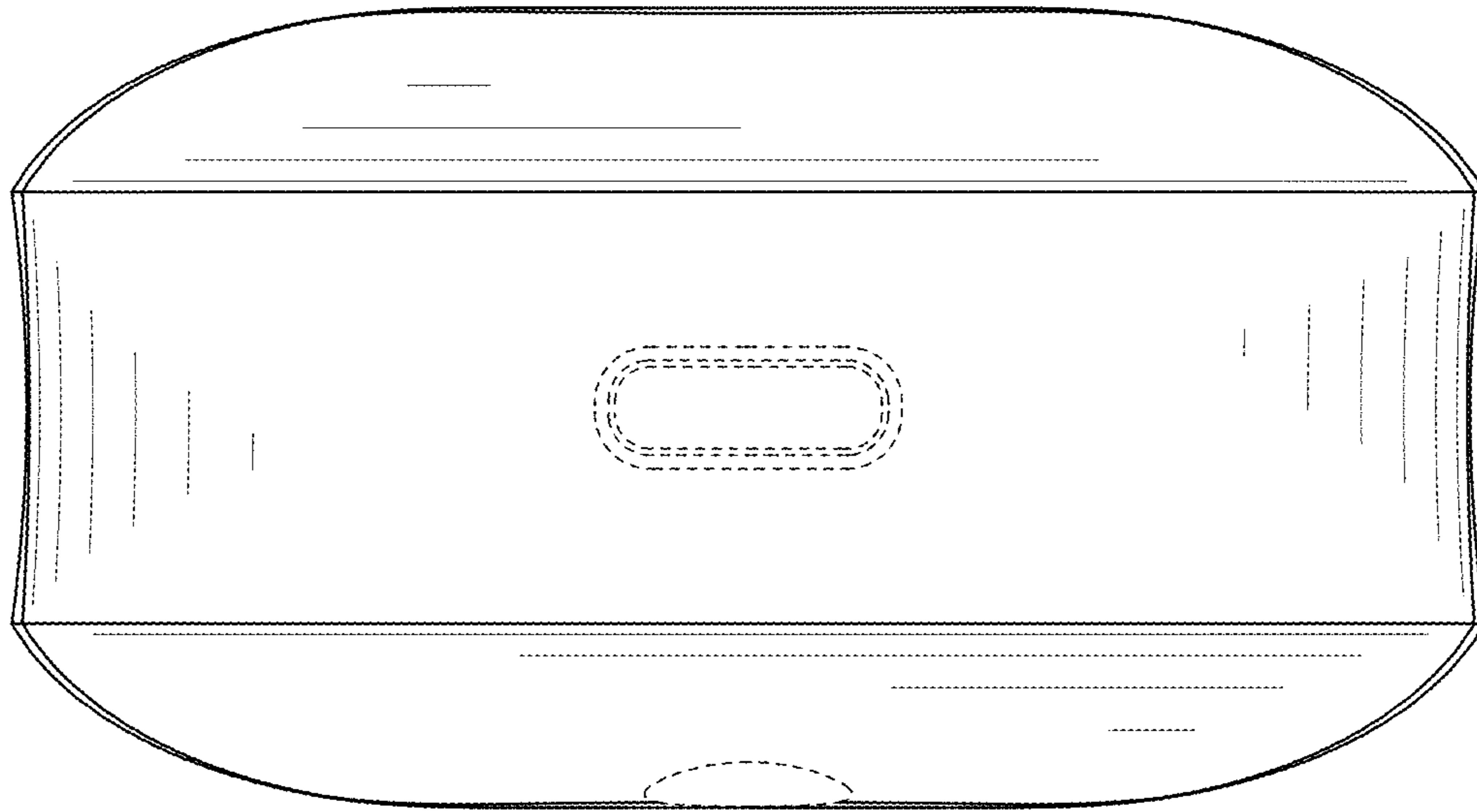


FIG. 17

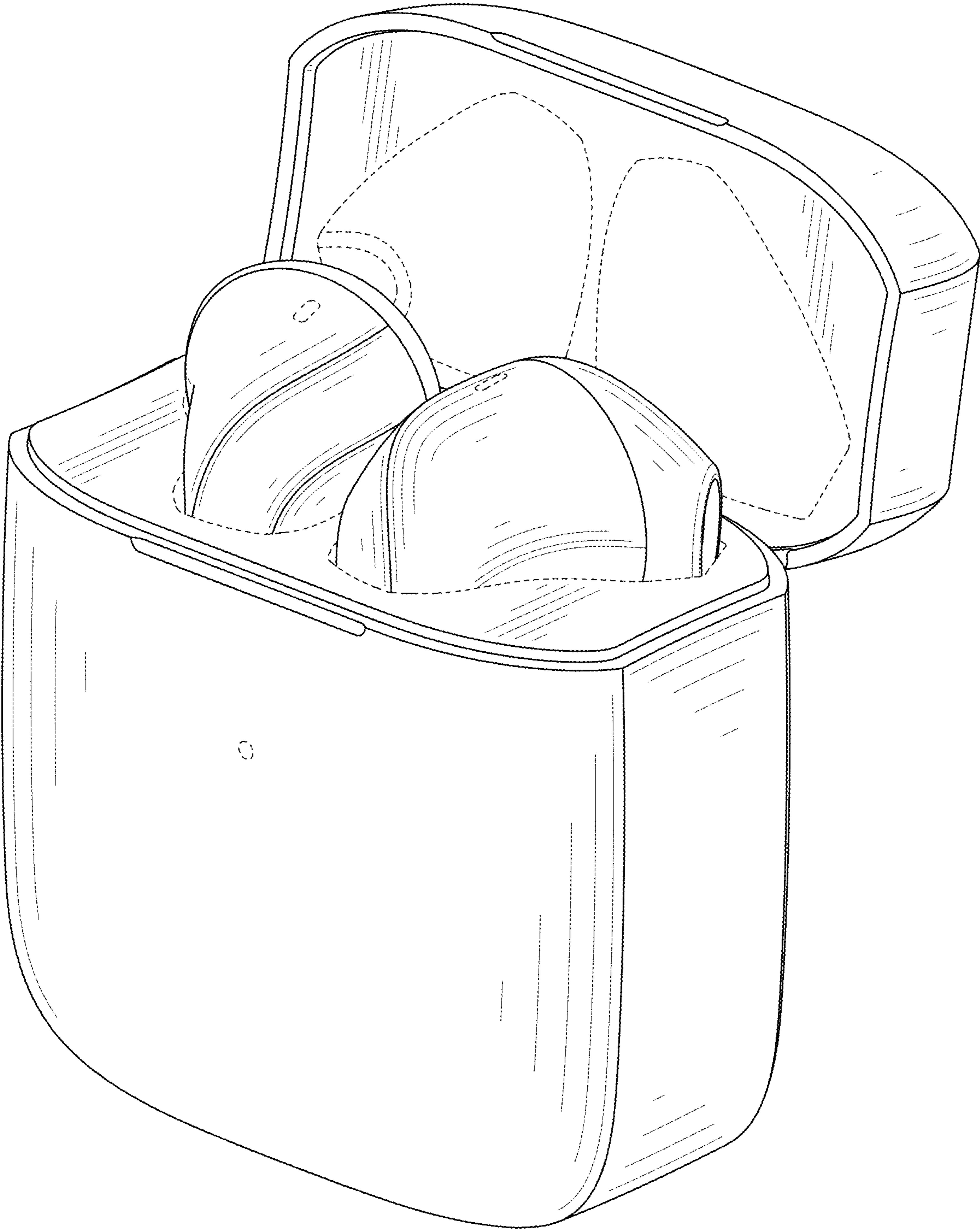


FIG. 18