



US00D930621S

(12) **United States Design Patent**
Rong et al.

(10) **Patent No.:** **US D930,621 S**

(45) **Date of Patent:** **** Sep. 14, 2021**

(54) **EARPHONES**

(71) Applicant: **Shenzhen NearbyExpress Technology Development Company Limited**,
Shenzhen (CN)

(72) Inventors: **Bo Rong**, Shenzhen (CN); **Yu-Zhao Liu**, Shenzhen (CN)

(73) Assignee: **Shenzhen NearbyExpress Technology Development Company Limited**,
Shenzhen (CN)

(**) Term: **15 Years**

(21) Appl. No.: **29/746,707**

(22) Filed: **Aug. 17, 2020**

(51) **LOC (13) Cl.** **14-01**

(52) **U.S. Cl.**
USPC **D14/223**

(58) **Field of Classification Search**
USPC D14/233, 205; D24/174; 128/864, 865,
128/866; 381/380, 381; 455/90.3, 575.1,
455/569.1

CPC H04R 1/10; H04R 25/00; H04R 25/02;
H04R 1/1066; H04R 5/033; H04R
5/0335; H04R 1/1058; H04R 1/1091

See application file for complete search history.

(56) **References Cited**

U.S. PATENT DOCUMENTS

D337,589 S *	7/1993	Wada	D14/223
D353,379 S *	12/1994	Nakamura	D14/223
D554,109 S *	10/2007	Ledbetter	D14/223
D572,242 S *	7/2008	Yang	D14/205
D573,977 S *	7/2008	Ledbetter	D14/205
D575,269 S *	8/2008	Ledbetter	D14/205
D578,269 S *	10/2008	Landingham, Jr.	D34/17
D590,371 S *	4/2009	Leinvuo	D14/205
D593,537 S *	6/2009	Arimoto	D14/205

D641,738 S *	7/2011	Perez	D14/223
D643,416 S *	8/2011	Chong et al.		
D652,823 S *	1/2012	Chen	H04R 1/1016 D14/223
D657,780 S *	4/2012	Dahlberg	D14/223
D660,292 S *	5/2012	Rautiainen	D14/223
D662,493 S *	6/2012	Chen	D14/223
D666,581 S *	9/2012	Perez	D14/223
D671,531 S *	11/2012	Kim	D14/223
D681,015 S *	4/2013	Akana	H04R 1/10 D14/223
D691,594 S *	10/2013	Akana	D14/223
D695,721 S *	12/2013	Thompson	D14/223

(Continued)

FOREIGN PATENT DOCUMENTS

CN	305790784	5/2020
EM	006690277-0001	* 8/2019

(Continued)

Primary Examiner — Paula Allen Greene

(74) *Attorney, Agent, or Firm* — ScienBiziP, P.C.

(57) **CLAIM**

The ornamental design for earphones, as shown and described.

DESCRIPTION

FIG. 1 is a top, rear, left side perspective view of earphones, showing our design.

FIG. 2 is a top, front, right side perspective view thereof.

FIG. 3 is a front elevation view thereof.

FIG. 4 is a rear elevation view thereof.

FIG. 5 is a left side elevation view thereof.

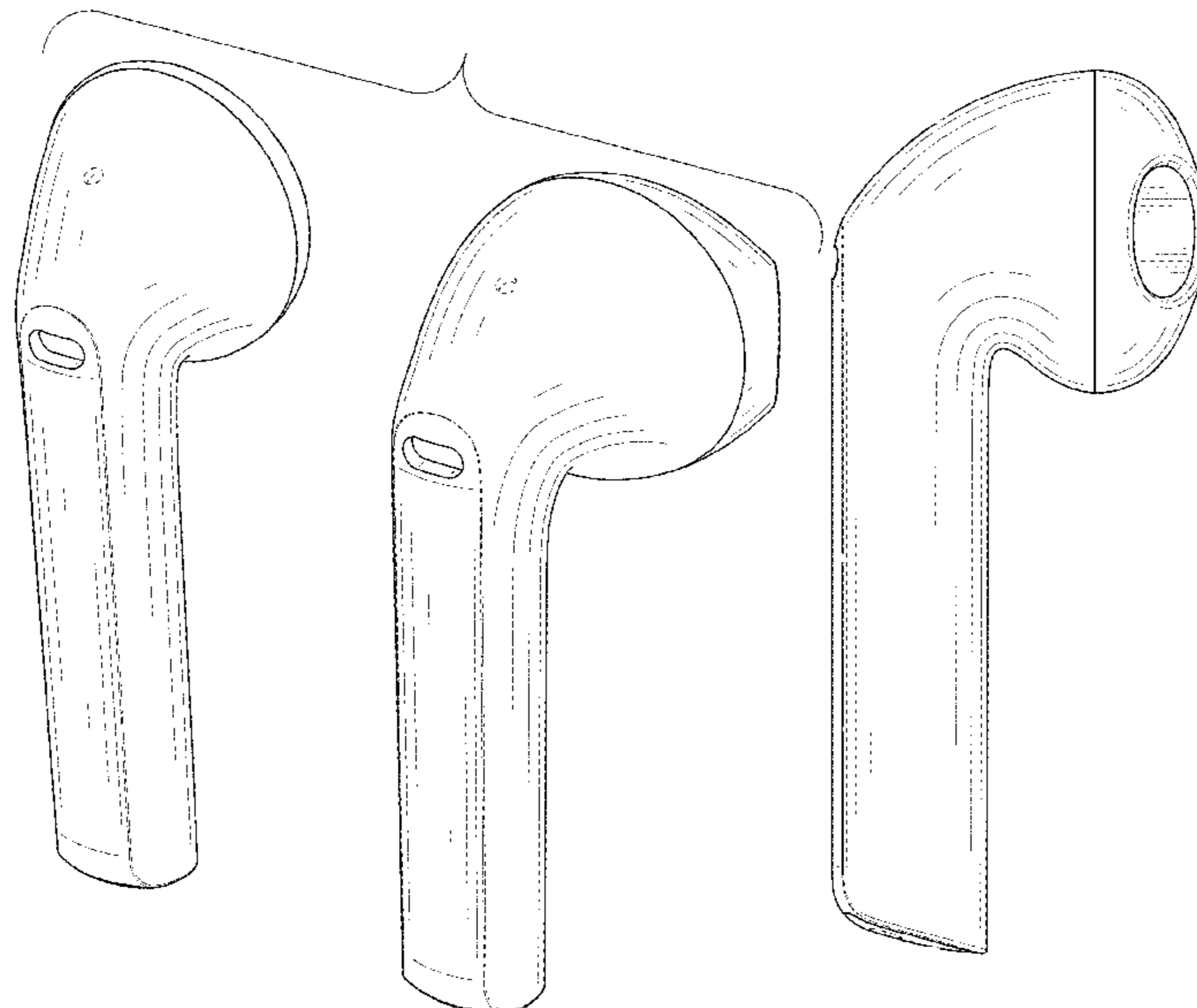
FIG. 6 is a right side elevation view thereof.

FIG. 7 is a top plan view thereof; and,

FIG. 8 is a bottom plan view thereof.

The broken lines shown in the drawings are included for the purpose of illustrating portions of the earphones that form no part of the claimed design.

1 Claim, 8 Drawing Sheets



(56)

References Cited

U.S. PATENT DOCUMENTS

D707,206 S * 6/2014 Akana H04R 1/10
 D14/223
 D711,857 S * 8/2014 Burgett D14/223
 D718,284 S * 11/2014 Shibusawa D14/223
 D730,876 S * 6/2015 Dahlberg D14/223
 D732,008 S * 6/2015 Akana H04R 1/10
 D14/223
 D733,101 S * 6/2015 Pi D14/223
 D738,864 S * 9/2015 Lee D14/223
 D741,287 S * 10/2015 Harata D14/205
 D757,682 S * 5/2016 Perez D14/205
 D770,412 S * 11/2016 Son D14/205
 D801,314 S * 10/2017 Akana D14/223
 D803,184 S * 11/2017 Loh Jun Kern et al.
 D847,794 S * 5/2019 Guo D14/223
 D869,445 S * 12/2019 Hu D14/223
 RE47,915 E 3/2020 Akana
 D878,337 S * 3/2020 Yang D14/223
 D885,373 S * 5/2020 Lundback D14/223
 D889,440 S * 7/2020 Yan D14/223
 D890,138 S * 7/2020 Peng D14/223
 D890,724 S * 7/2020 Li D14/223
 D896,788 S * 9/2020 Akana D14/223
 D900,065 S * 10/2020 Distefano D14/223
 D905,017 S * 12/2020 Chen D14/223

D906,297 S * 12/2020 Akana D14/223
 D914,645 S 3/2021 Akana
 D914,646 S 3/2021 Yang
 D915,355 S * 4/2021 Xiang D14/223
 D921,615 S * 6/2021 Wu D14/223
 D924,209 S * 7/2021 Wu D14/223
 2012/0237074 A1* 9/2012 Aase H04R 1/1075
 381/380
 2013/0004011 A1* 1/2013 Hayashida H04R 1/345
 381/380
 2013/0343595 A1* 12/2013 Zorkendorfer H04R 1/1016
 381/380
 2015/0382100 A1* 12/2015 Azmi H04R 1/1016
 381/380
 2017/0164087 A1* 6/2017 Kurtz H04R 1/105
 2019/0373354 A1* 12/2019 Sondergaard H01R 13/562
 2021/0013917 A1* 1/2021 McGaughey H01Q 19/30
 2021/0014603 A1* 1/2021 Wei G01V 3/088

FOREIGN PATENT DOCUMENTS

EM 007694153-0001 * 2/2020
 EM 008132765-0003 * 8/2020
 EM 008464150-0001 * 3/2021
 EM 008482319-0003 * 3/2021
 GB 9008157887-0001 * 9/2020

* cited by examiner

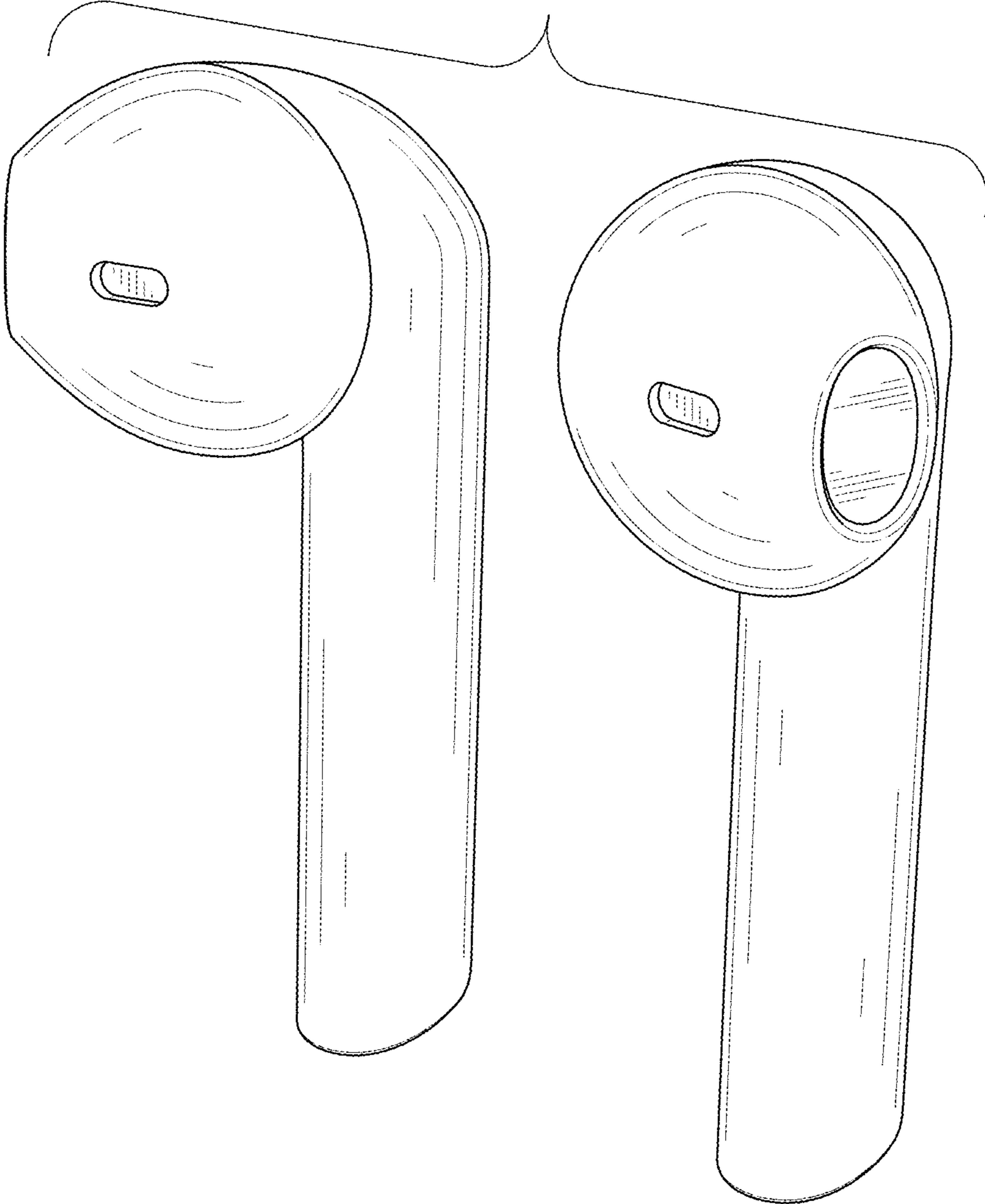


FIG. 1

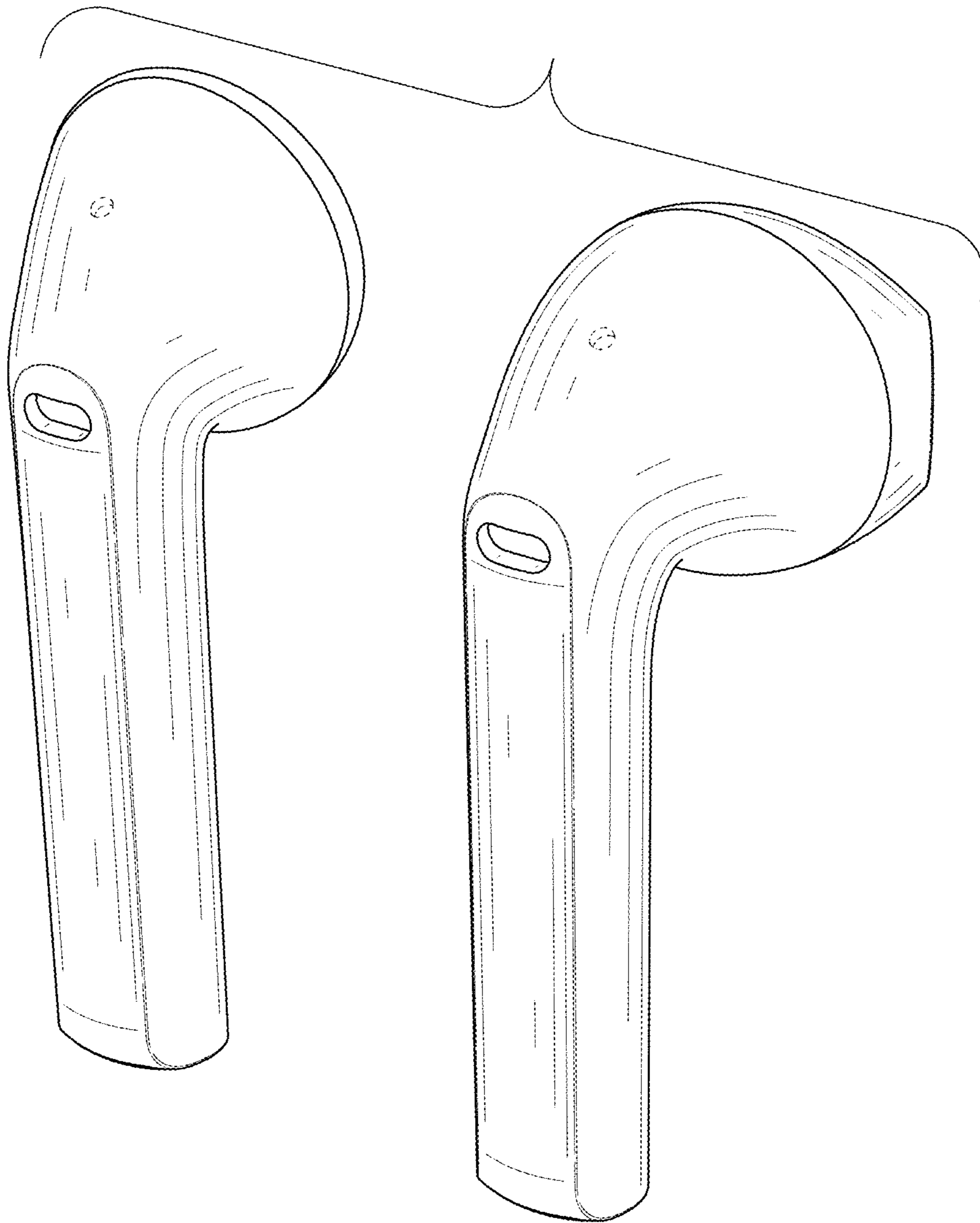


FIG. 2

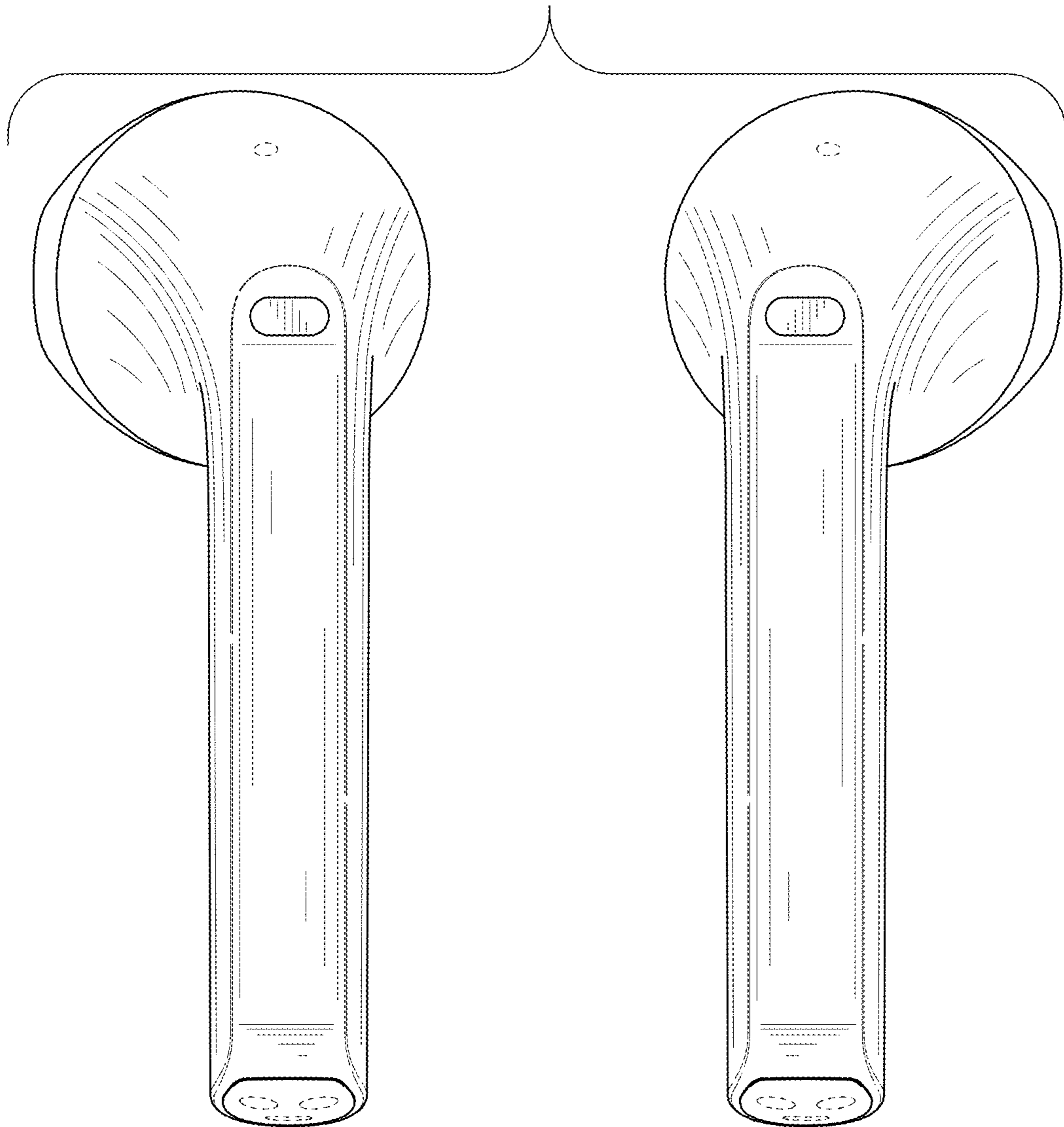


FIG. 3

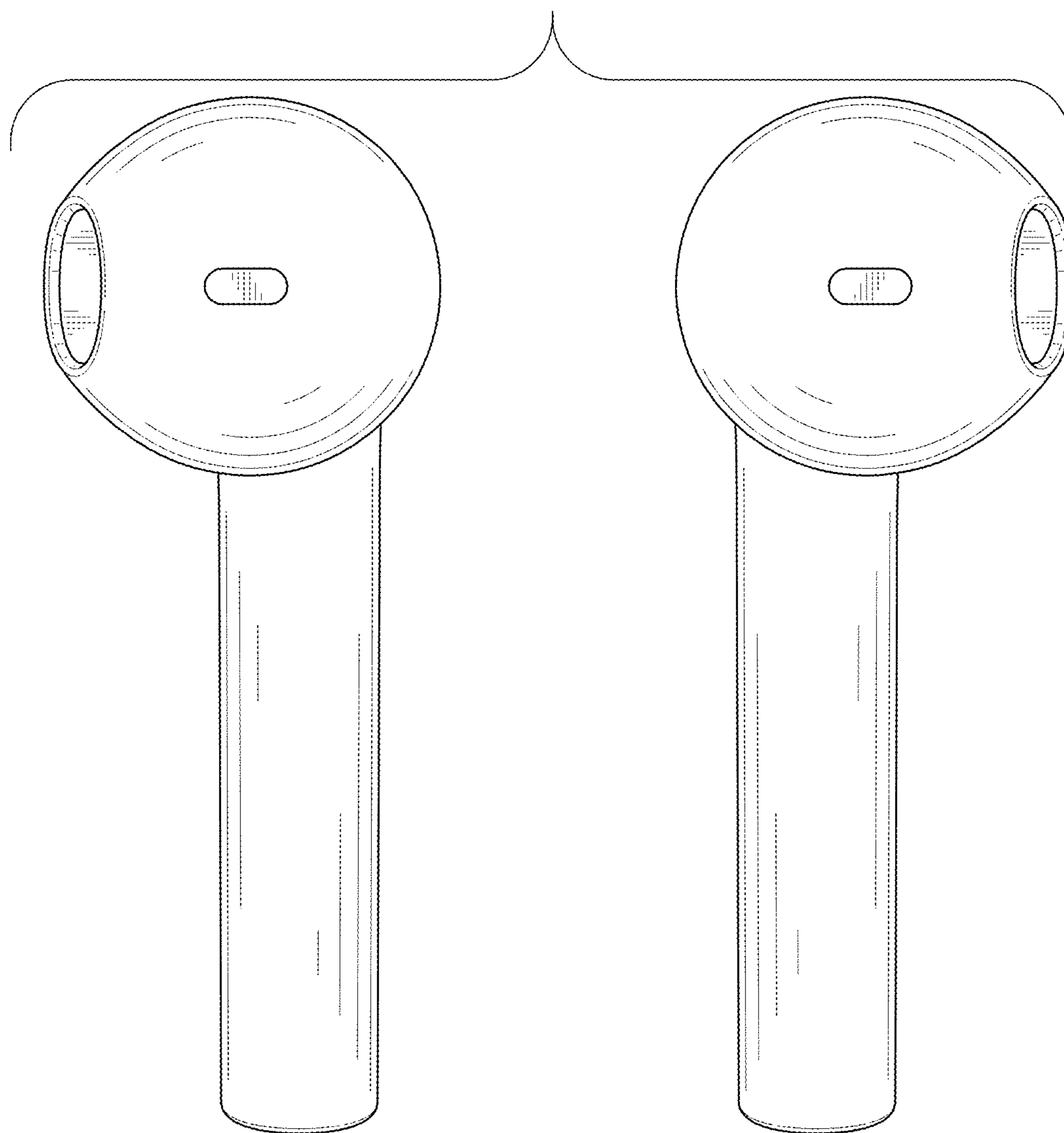


FIG. 4

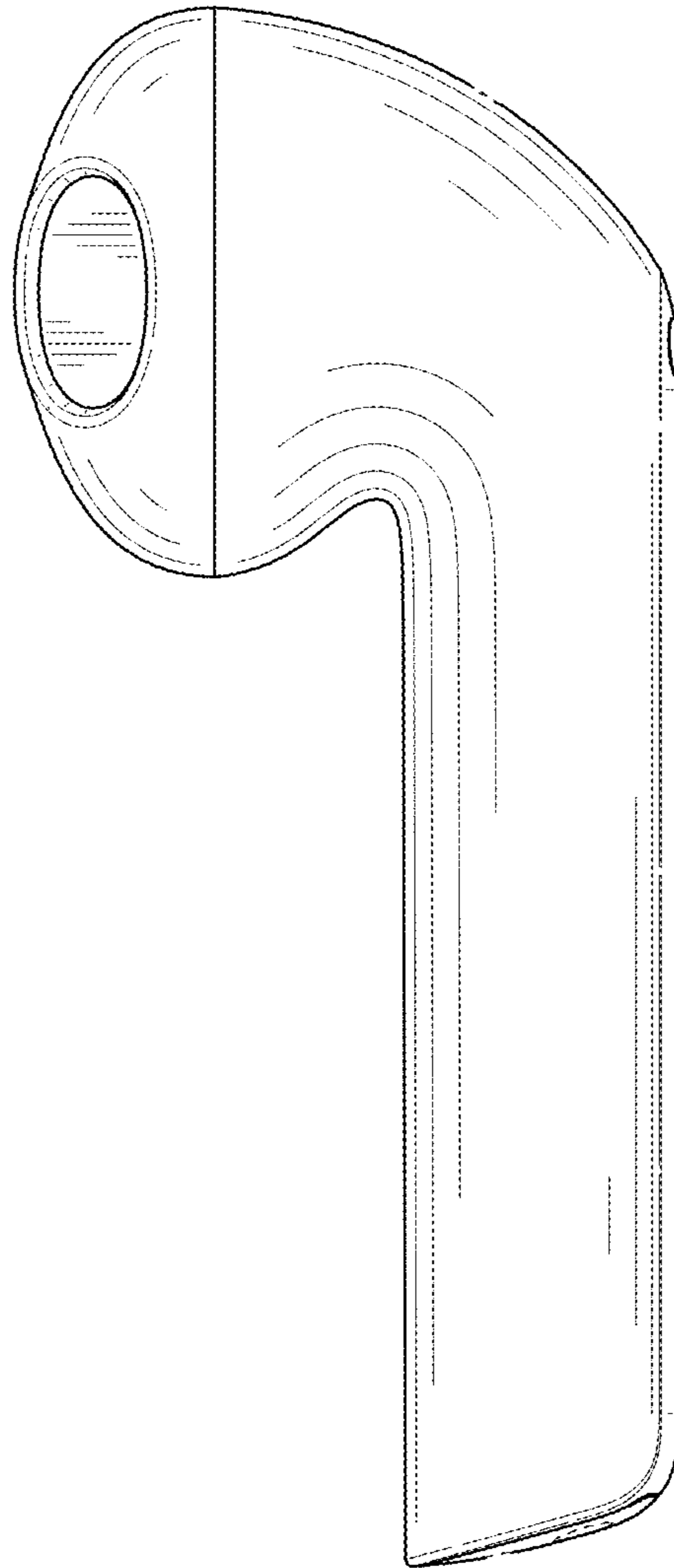


FIG. 5

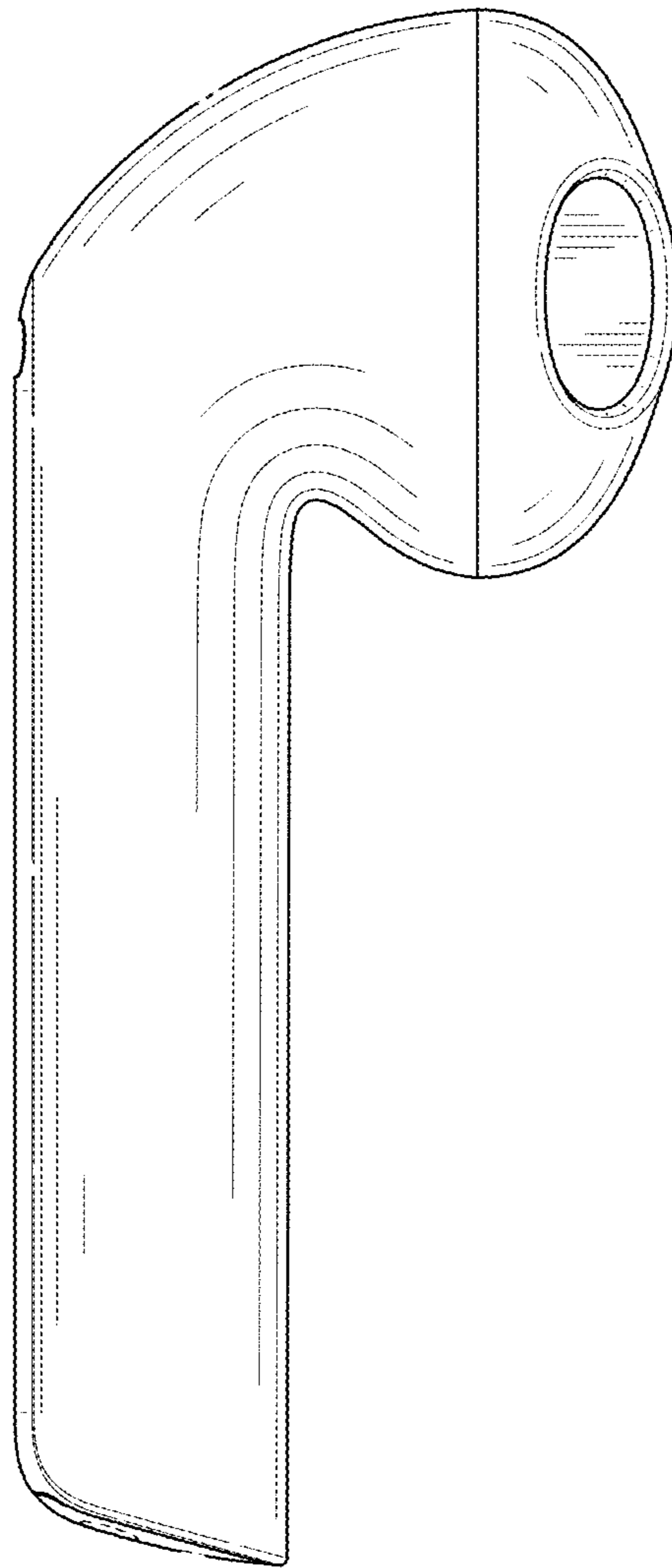


FIG. 6

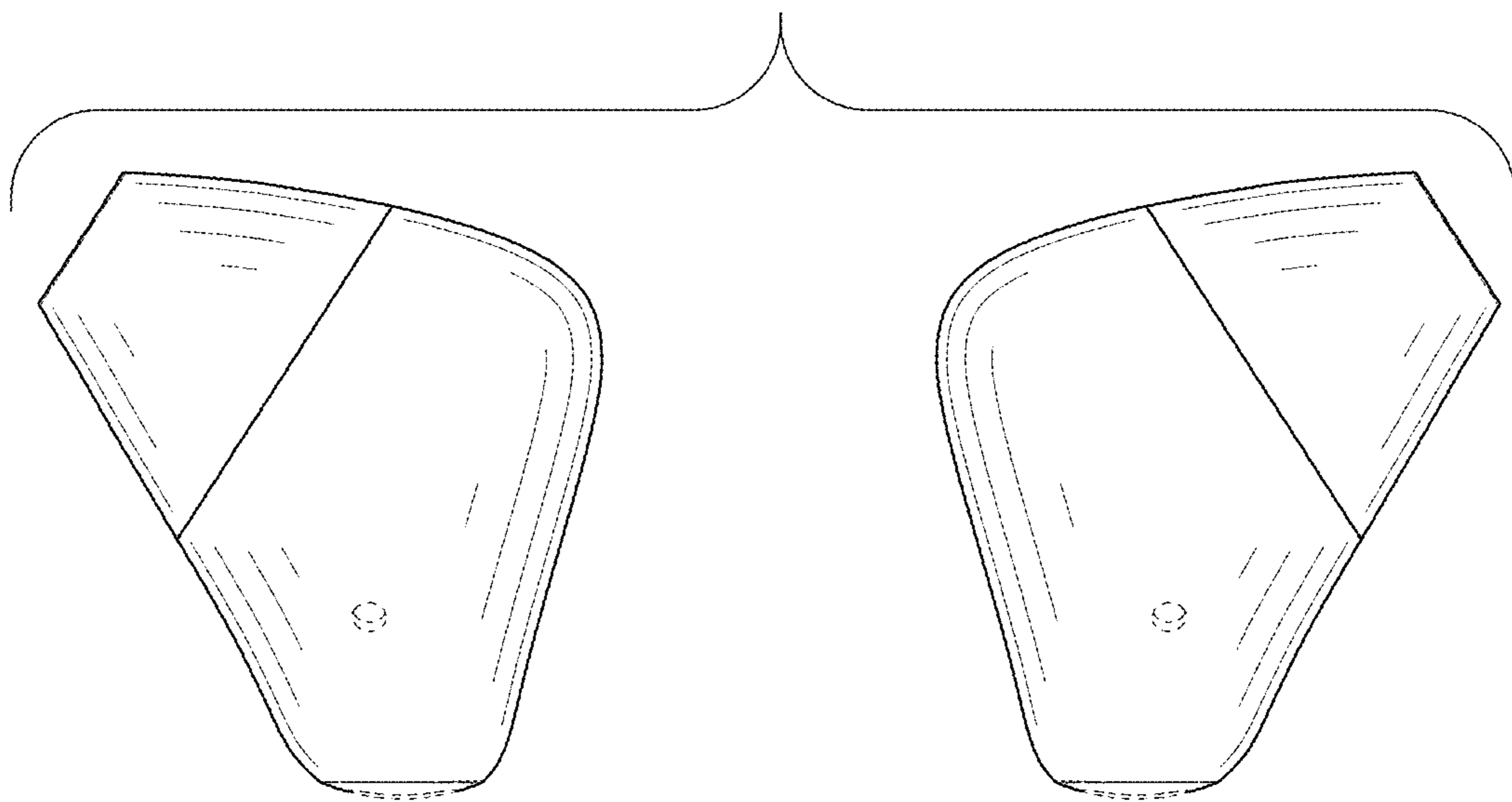


FIG. 7

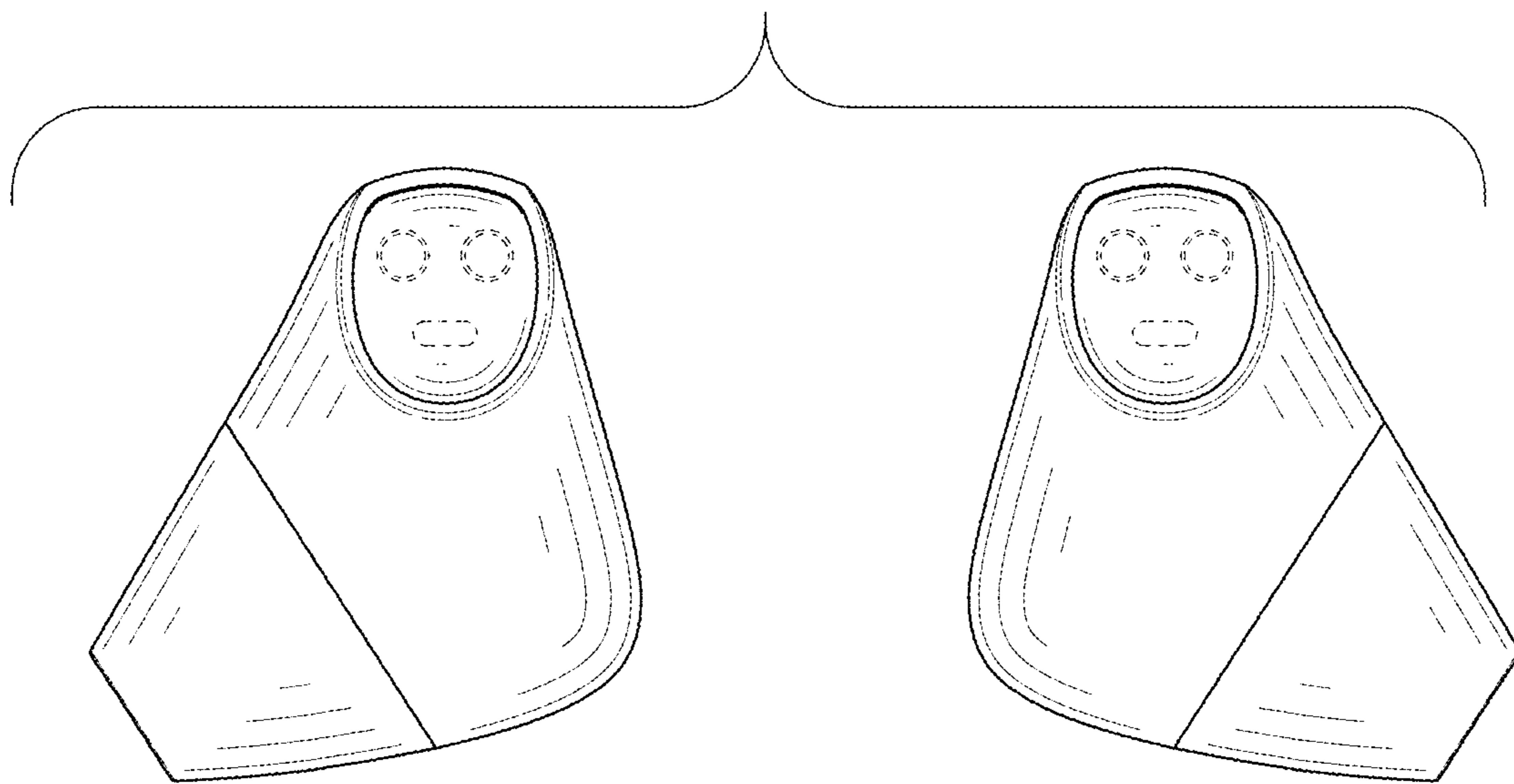


FIG. 8