



US00D930620S

(12) **United States Design Patent**
Lindenberger

(10) **Patent No.:** **US D930,620 S**

(45) **Date of Patent:** **** Sep. 14, 2021**

(54) **HEADPHONE**

(71) Applicant: **Harman International Industries, Incorporated**, Northridge, CA (US)

(72) Inventor: **Laurent Lindenberger**, Shenzhen (CN)

(73) Assignee: **Harman International Industries, Incorporated**, Northridge, CA (US)

(**) Term: **15 Years**

(21) Appl. No.: **29/719,185**

(22) Filed: **Jan. 1, 2020**

(51) **LOC (13) Cl.** **14-01**

(52) **U.S. Cl.**
USPC **D14/223**

(58) **Field of Classification Search**
USPC ... D14/205, 207, 217, 221, 223, 224, 224.1, D14/225, 216; D24/173, 174
CPC H04R 1/10; H04R 1/1016; H04R 1/1066; H04R 1/105; H04R 1/1033; H04R 1/08; H04R 5/033; H04R 5/0335; H04R 25/00
See application file for complete search history.

(56) **References Cited**

U.S. PATENT DOCUMENTS

D618,218 S	6/2010	Burgett et al.
D618,219 S	6/2010	Burgett et al.
D673,530 S	1/2013	Feng et al.
D678,856 S	3/2013	Feng et al.
D678,857 S	3/2013	Feng et al.
D678,858 S	3/2013	Feng et al.
D678,868 S	3/2013	Feng et al.
D695,718 S	12/2013	Burgett et al.

(Continued)

FOREIGN PATENT DOCUMENTS

CN	305938560	*	7/2020
CN	305973162	*	8/2020

(Continued)

OTHER PUBLICATIONS

Samsung Unveils AKG N400 True Wireless Earbuds, announced Apr. 1, 2020 [online], retrieved May 5, 2021, retrieved from internet, <https://www.firstpost.com/tech/news-analysis/samsung-unveils-akg-n400-true-wireless-earbuds-with-support-for-anc-and-wireless-charging-8215121.html>.*

(Continued)

Primary Examiner — Dana K Weiland

Assistant Examiner — Messina L Smith

(74) *Attorney, Agent, or Firm* — Plumsea Law Group, LLC

(57) **CLAIM**

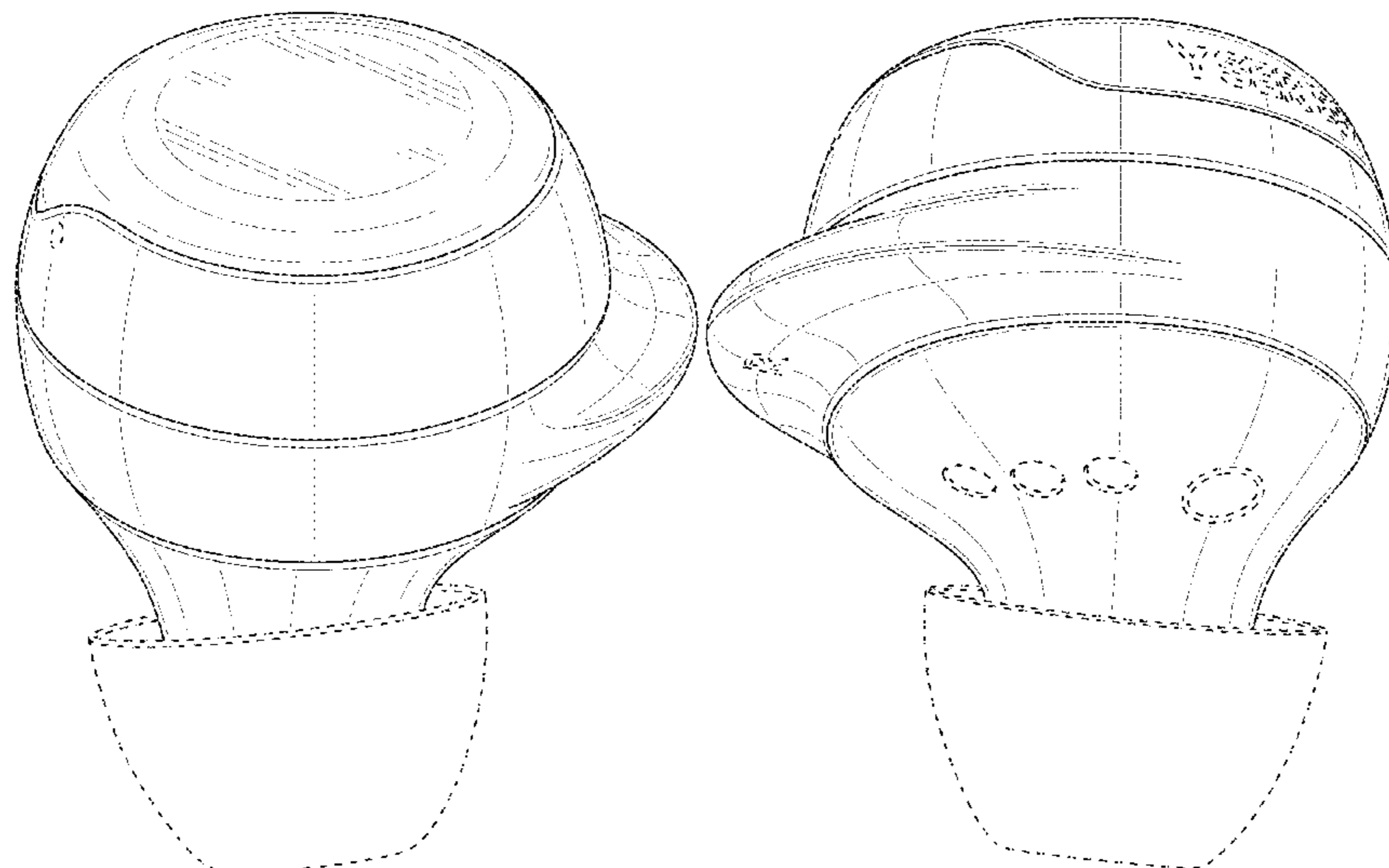
The ornamental design for a headphone, as shown and described.

DESCRIPTION

FIG. 1 is a rear perspective view of a headphone showing the new design;
FIG. 2 is a frontal perspective view thereof;
FIG. 3 is a side elevational view thereof;
FIG. 4 is an opposite side elevational view thereof;
FIG. 5 is a rear elevational view thereof;
FIG. 6 is a front elevational view thereof;
FIG. 7 is a top view thereof;
FIG. 8 is a bottom view thereof;
FIG. 9 is a frontal perspective view of another embodiment of the headphone, illustrating a mirror image of the headphone of FIGS. 1-8;
FIG. 10 is a rear perspective view thereof;
FIG. 11 is a side elevational view thereof;
FIG. 12 is an opposite side elevational view thereof;
FIG. 13 is a rear elevational view thereof;
FIG. 14 is a front elevational view thereof;
FIG. 15 is a top view thereof; and,
FIG. 16 is a bottom view thereof.

The broken lines in the figures depict portions of the headphone that form no part of the claimed design.

1 Claim, 16 Drawing Sheets



(56)

References Cited

U.S. PATENT DOCUMENTS

D695,719 S 12/2013 Burgett et al.
 D696,230 S 12/2013 Burgett et al.
 D699,213 S 2/2014 Burgett et al.
 D700,905 S 3/2014 Pavitsich
 D710,326 S 8/2014 Burgett et al.
 D711,857 S 8/2014 Burgett et al.
 D713,385 S 9/2014 Burgett et al.
 D716,771 S 11/2014 Burgett et al.
 D725,081 S 3/2015 Burgett et al.
 D725,634 S 3/2015 Burgett et al.
 D725,635 S 3/2015 Burgett et al.
 D746,268 S 12/2015 Karayiannis et al.
 D764,445 S 8/2016 Czaniecki
 D769,220 S 10/2016 Burgett et al.
 D770,426 S 11/2016 LaBerge et al.
 D771,011 S 11/2016 Ott et al.
 D772,844 S 11/2016 Ott et al.
 D773,435 S 12/2016 Ott et al.
 D773,438 S 12/2016 Walker et al.
 D773,439 S 12/2016 Walker
 D796,485 S 9/2017 Sia et al.
 D800,097 S * 10/2017 Chen D14/223
 D800,703 S 10/2017 Vaclavik
 D803,816 S 11/2017 Bolster
 D806,059 S 12/2017 Ott et al.
 D806,685 S 1/2018 Park
 D806,686 S 1/2018 Ott et al.
 D810,724 S 2/2018 Czaniecki et al.
 D813,205 S * 3/2018 Palmborg D14/223
 D813,848 S * 3/2018 Palmborg D14/223
 D817,309 S 5/2018 Czaniecki et al.
 D821,362 S 6/2018 Vaclavik
 D824,359 S 7/2018 Czaniecki
 D824,875 S 8/2018 Czaniecki
 D833,420 S 11/2018 Lindenberger
 D845,932 S 4/2019 Lu
 D853,351 S 7/2019 Ott et al.
 D862,412 S 10/2019 Yook
 D862,422 S 10/2019 Lindenberger
 D863,261 S * 10/2019 Zhu D14/223
 D863,263 S * 10/2019 Yu D14/223
 D864,167 S * 10/2019 Wu D14/223
 D868,729 S 12/2019 Czaniecki
 D868,752 S * 12/2019 Zhu D14/223
 D869,431 S 12/2019 Czaniecki
 D870,708 S 12/2019 Lindenberger
 D870,709 S 12/2019 Meyer
 D870,711 S 12/2019 Karayiannis et al.
 D871,374 S 12/2019 Karayiannis et al.
 D871,375 S 12/2019 Meyer
 D871,376 S * 12/2019 Zhou D14/223
 D872,063 S * 1/2020 Arimoto D14/223
 D872,064 S * 1/2020 Cai D14/223
 D873,248 S * 1/2020 Weicheng D14/223
 D880,457 S * 4/2020 Zhu D14/223
 D883,262 S * 5/2020 Wu D14/223
 D887,395 S * 6/2020 Wang D14/223
 D892,085 S * 8/2020 Kim D14/223
 D892,086 S * 8/2020 Bonahoom D14/223
 D895,580 S * 9/2020 Yu D14/223
 D896,205 S * 9/2020 Zhang D14/223
 D897,319 S * 9/2020 Wang D14/223
 D897,322 S * 9/2020 Wei D14/223
 D900,064 S * 10/2020 Laffon de Mazieres D14/223
 D902,182 S * 11/2020 Wang D14/223

10,827,249 B1 * 11/2020 Pine H04R 1/1016
 D903,638 S * 12/2020 Li D14/223
 D904,350 S * 12/2020 Zhou D14/223
 D905,664 S * 12/2020 He D14/223
 D906,292 S * 12/2020 Wang D14/223
 D908,667 S * 1/2021 He D14/223
 D909,346 S * 2/2021 Wang D14/223
 D909,995 S * 2/2021 Cai D14/223
 D909,998 S * 2/2021 Du D14/223
 D910,602 S * 2/2021 Feng D14/223
 D915,358 S * 4/2021 Ma D14/223
 D916,054 S * 4/2021 Sretovic D14/223
 2021/0044885 A1 * 2/2021 Fukahori G06F 3/044
 2021/0076131 A1 * 3/2021 Minich H04R 1/1016

FOREIGN PATENT DOCUMENTS

CN 306363381 * 4/2021
 CN 306479104 * 4/2021

OTHER PUBLICATIONS

Samsung's AKG quietly launches noise-cancelling Galaxy Buds Plus rival, announced Mar. 31, 2020 [online], retrieved May 5, 2021, retrieved from internet, <https://www.theverge.com/2020/3/31/21201277/samsung-aky-n400-true-wireless-noise-cancelling-earbuds-price-features-release-date-south-korea>.*

Samsung AKG N400 TWS earbuds could outshine the Galaxy Buds+, announced Mar. 31, 2020 [online], retrieved May 5, 2021, retrieved from internet, <https://www.slashgear.com/samsung-akg-n400-tws-earbuds-could-outshine-the-galaxy-buds-31614930/>.*

Jabra Elite 85t, no announcement date [online], retrieved May 5, 2021, retrieved from internet, <https://www.jabra.com/bluetooth-headsets/jabra-elite-85t##100-99190700-98>.*

Samsung Galaxy Buds Pro tips and tricks, announced Feb. 13, 2021 [online], retrieved May 5, 2021, retrieved from internet, <https://www.cnet.com/how-to/samsung-galaxy-buds-pro-tips-and-tricks-get-the-most-from-your-new-wireless-earbuds/>.*

Anker Soundcore Life Dot 2 True Wireless Earbuds, announced May 31, 2020 [online], retrieved May 5, 2021, retrieved from internet, <https://www.walmart.com/ip/Anker-Soundcore-Life-Dot-2-True-Wireless-Earbuds-100-Hour-Playtime-8mm-Driver-Superior-Sound-Secure-Fit-AirWings-Bluetooth-5-Comfortable-Design-Comm/547088646>.*

Design U.S. Appl. No. 29/631,197, filed Dec. 28, 2017.
 Design U.S. Appl. No. 29/631,265, filed Dec. 28, 2017.
 Design U.S. Appl. No. 29/661,340, filed Aug. 27, 2018.
 Design U.S. Appl. No. 29/661,384, filed Aug. 27, 2018.
 Design U.S. Appl. No. 29/661,456, filed Aug. 28, 2018.
 Design U.S. Appl. No. 29/675,151, filed Dec. 28, 2018.
 Design U.S. Appl. No. 29/675,537, filed Jan. 3, 2019.
 Design U.S. Appl. No. 29/688,619, filed Apr. 23, 2019.
 Design U.S. Appl. No. 29/695,334, filed Jun. 18, 2019.
 Design U.S. Appl. No. 29/711,484, filed Oct. 31, 2019.
 Design U.S. Appl. No. 29/717,872, filed Dec. 19, 2019.
 Design U.S. Appl. No. 29/719,091, filed Dec. 31, 2019.
 Design U.S. Appl. No. 29/720,428, filed Jan. 13, 2020.
 Design U.S. Appl. No. 29/734,436, filed May 12, 2020.
 Design U.S. Appl. No. 29/719,154, filed Dec. 31, 2019.
 Design U.S. Appl. No. 29/719,159, filed Dec. 31, 2019.
 Design U.S. Appl. No. 29/719,410, filed Jan. 3, 2020.
 Design U.S. Appl. No. 29/719,419, filed Jan. 3, 2020.

* cited by examiner

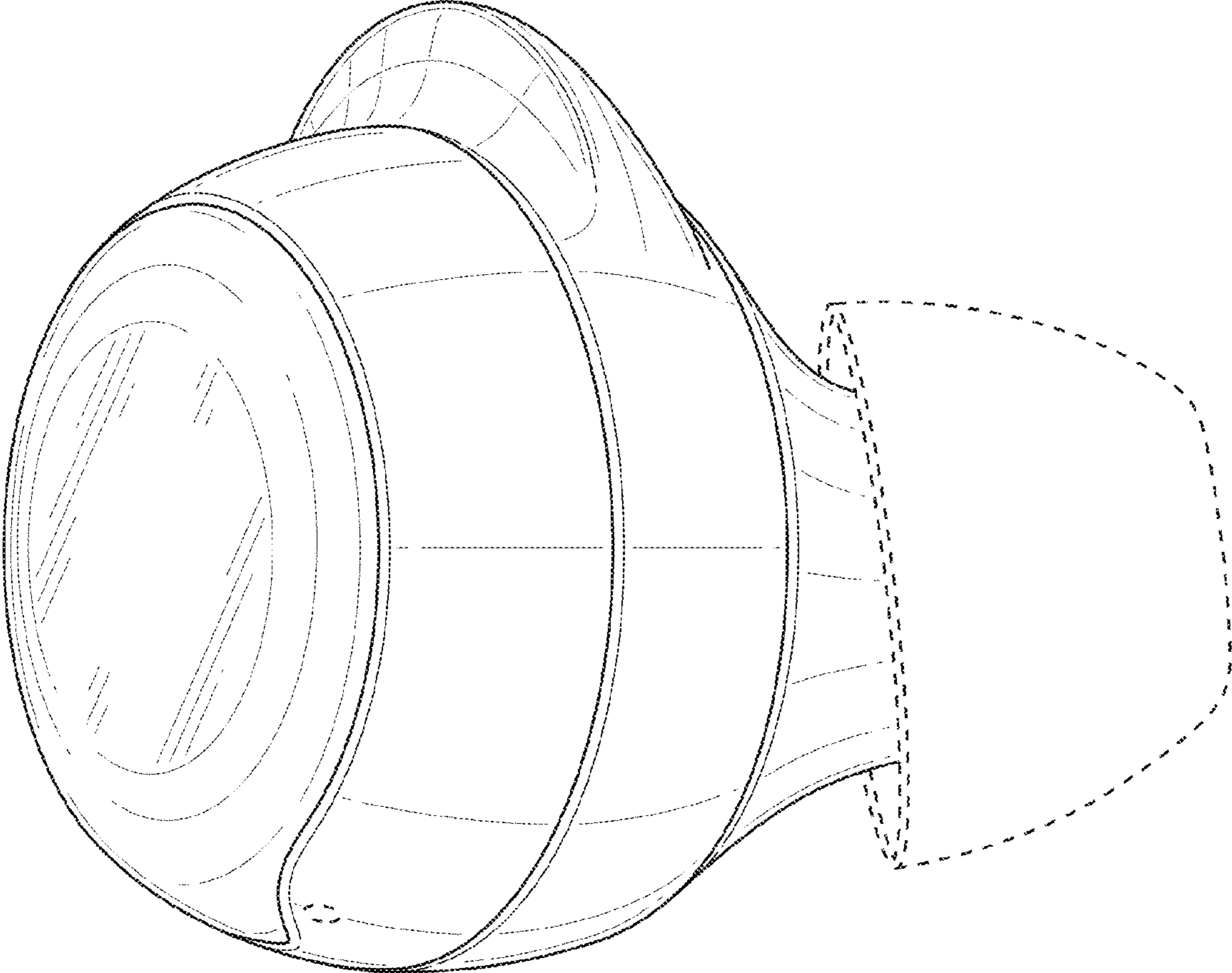


FIG. 1

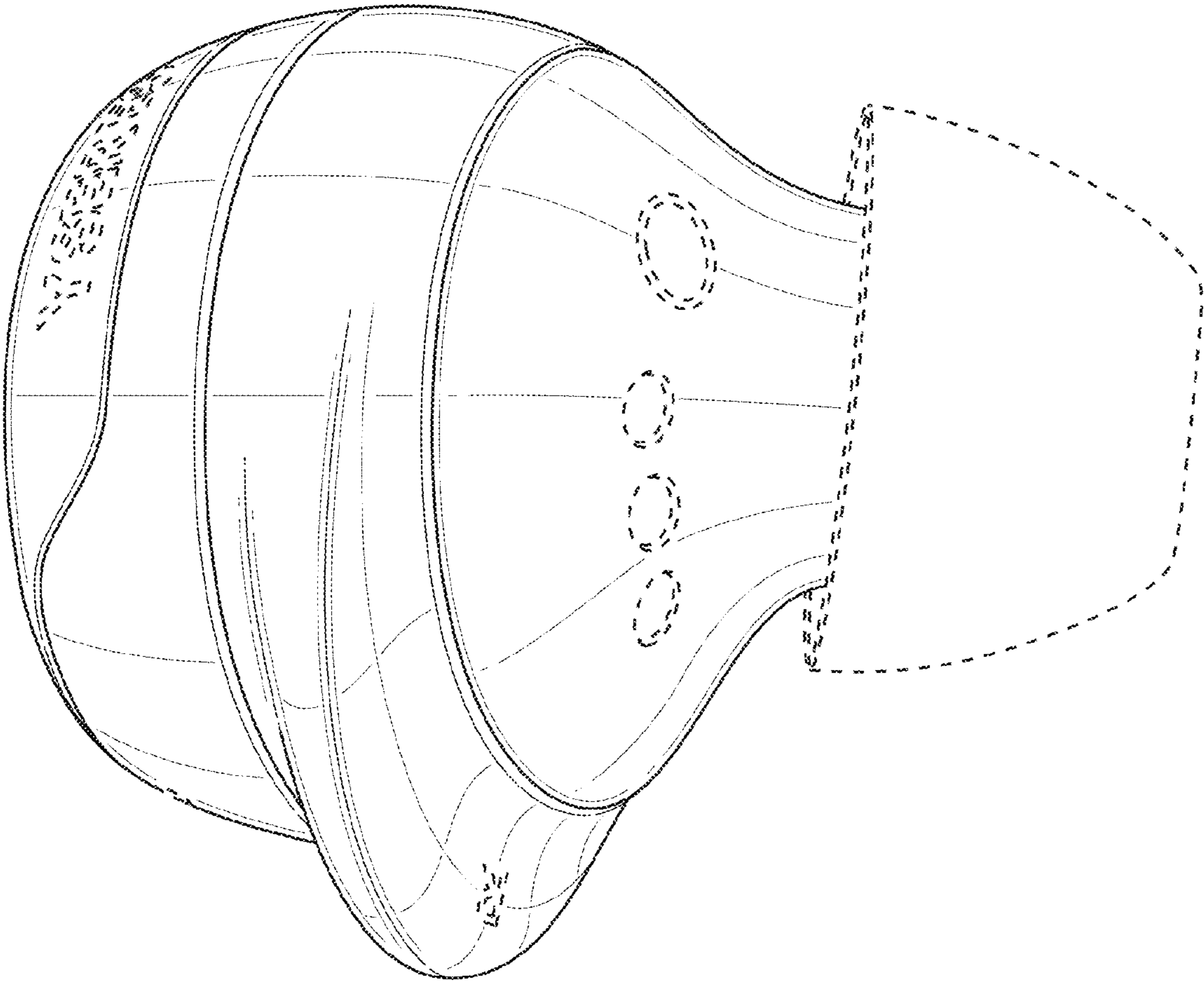


FIG. 2

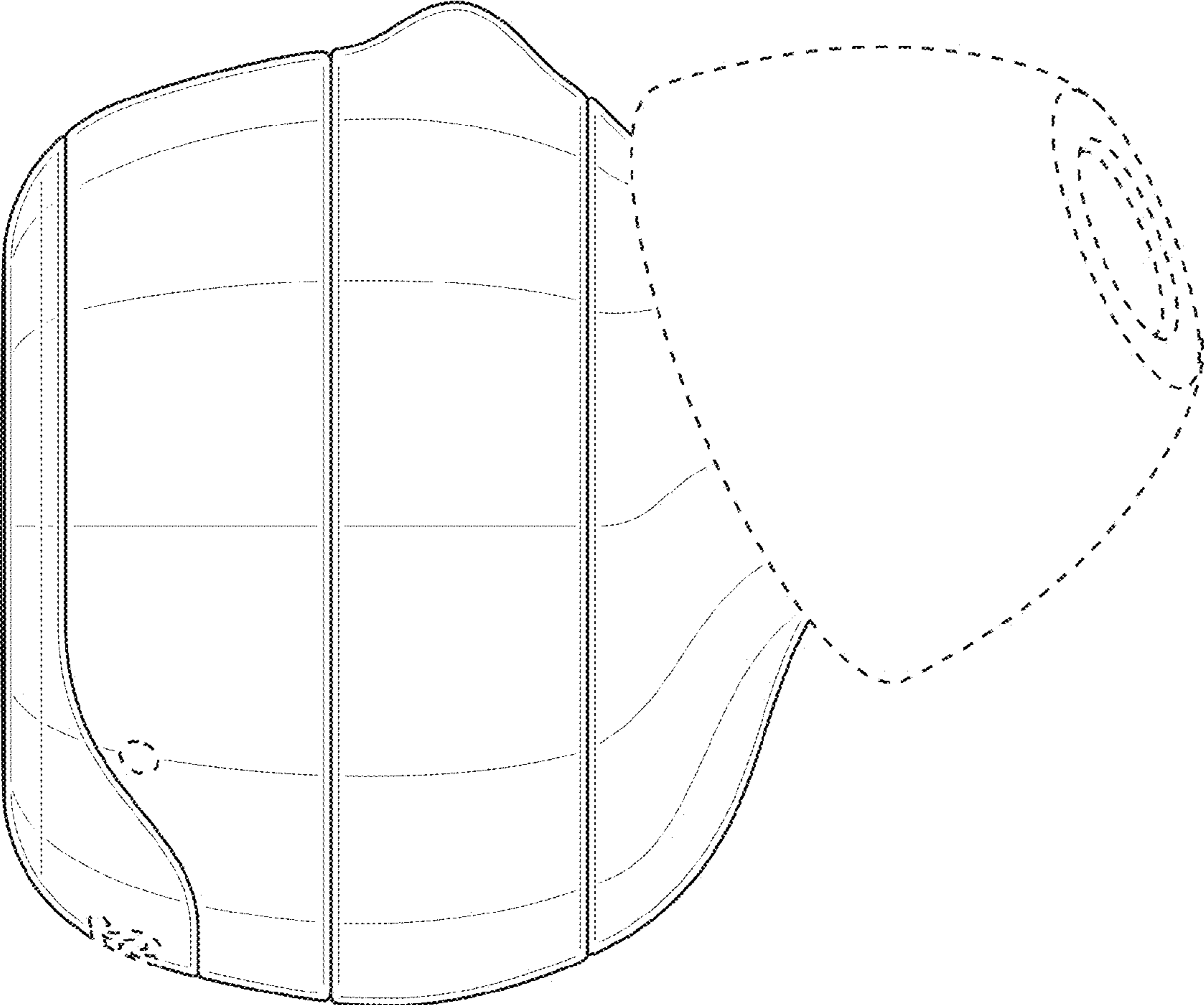


FIG. 3

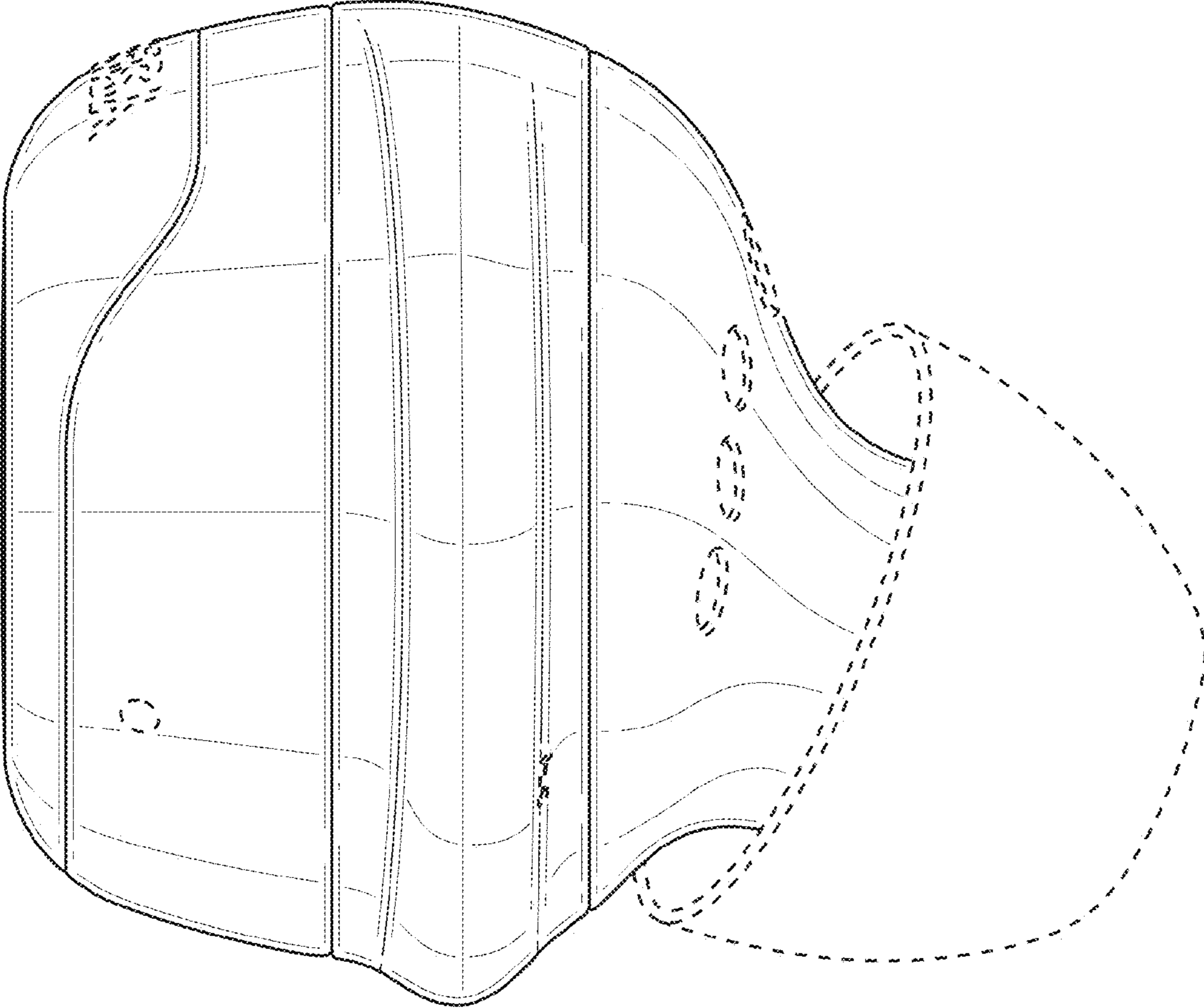


FIG. 4

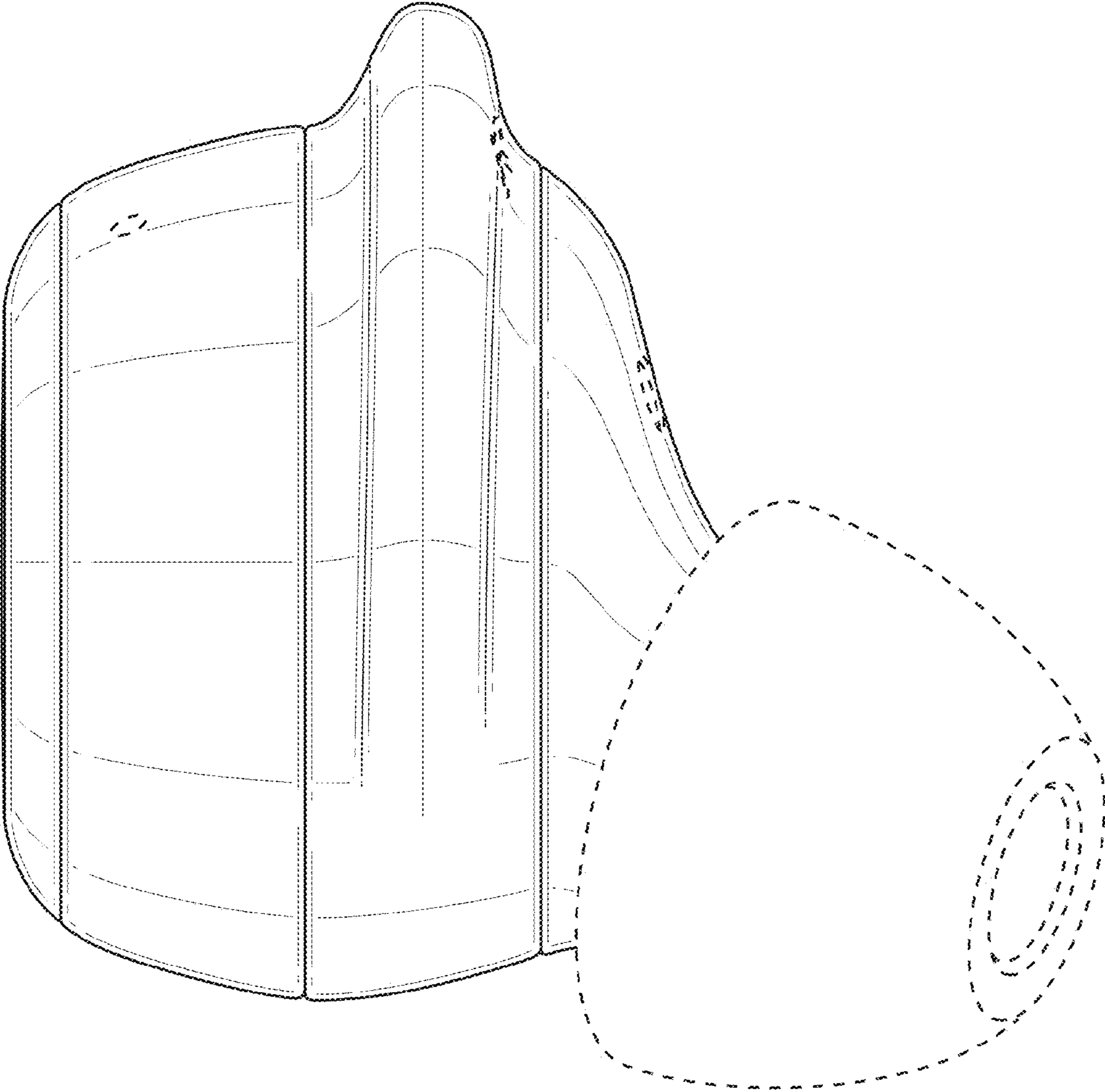


FIG. 5

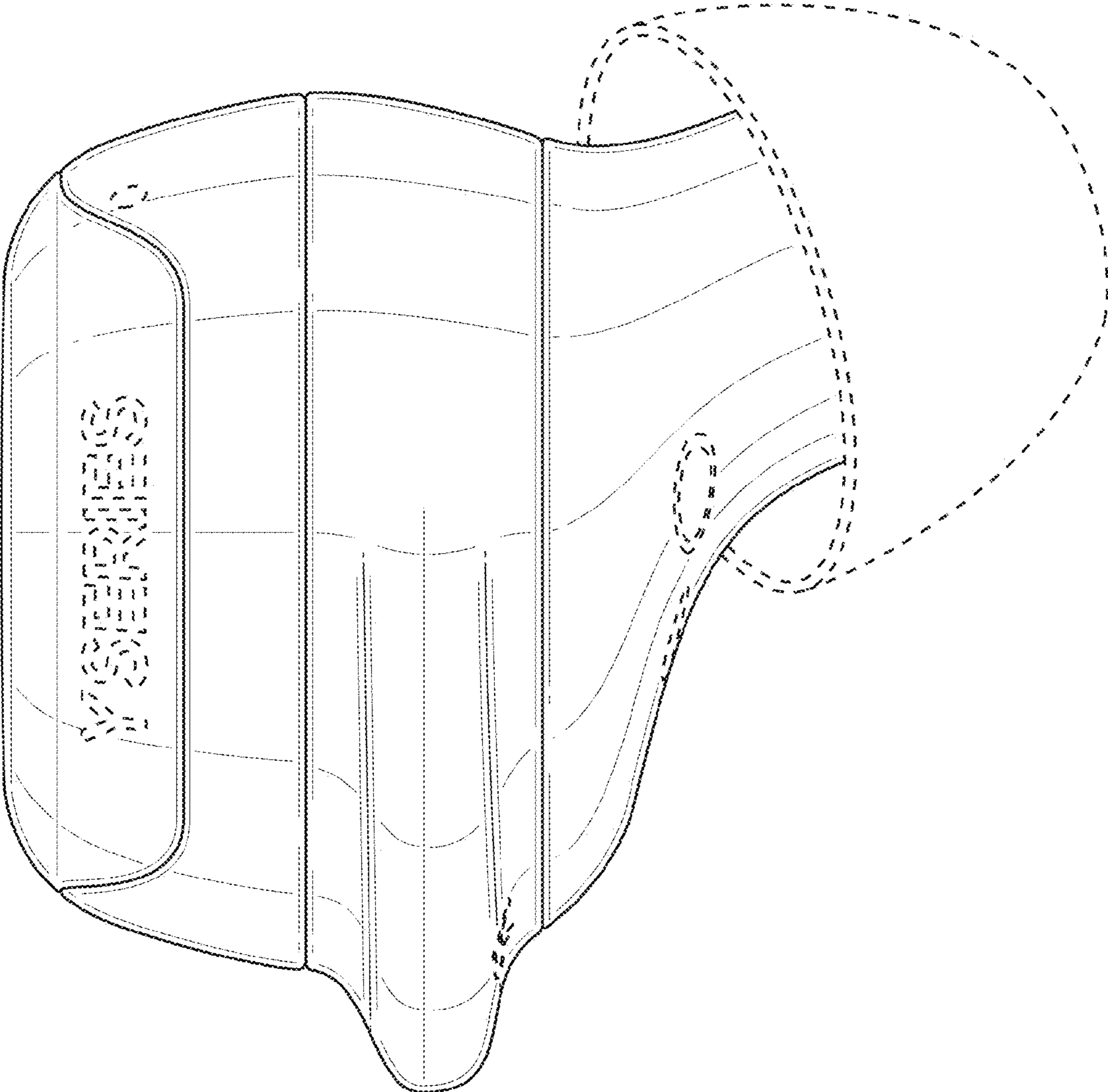


FIG. 6

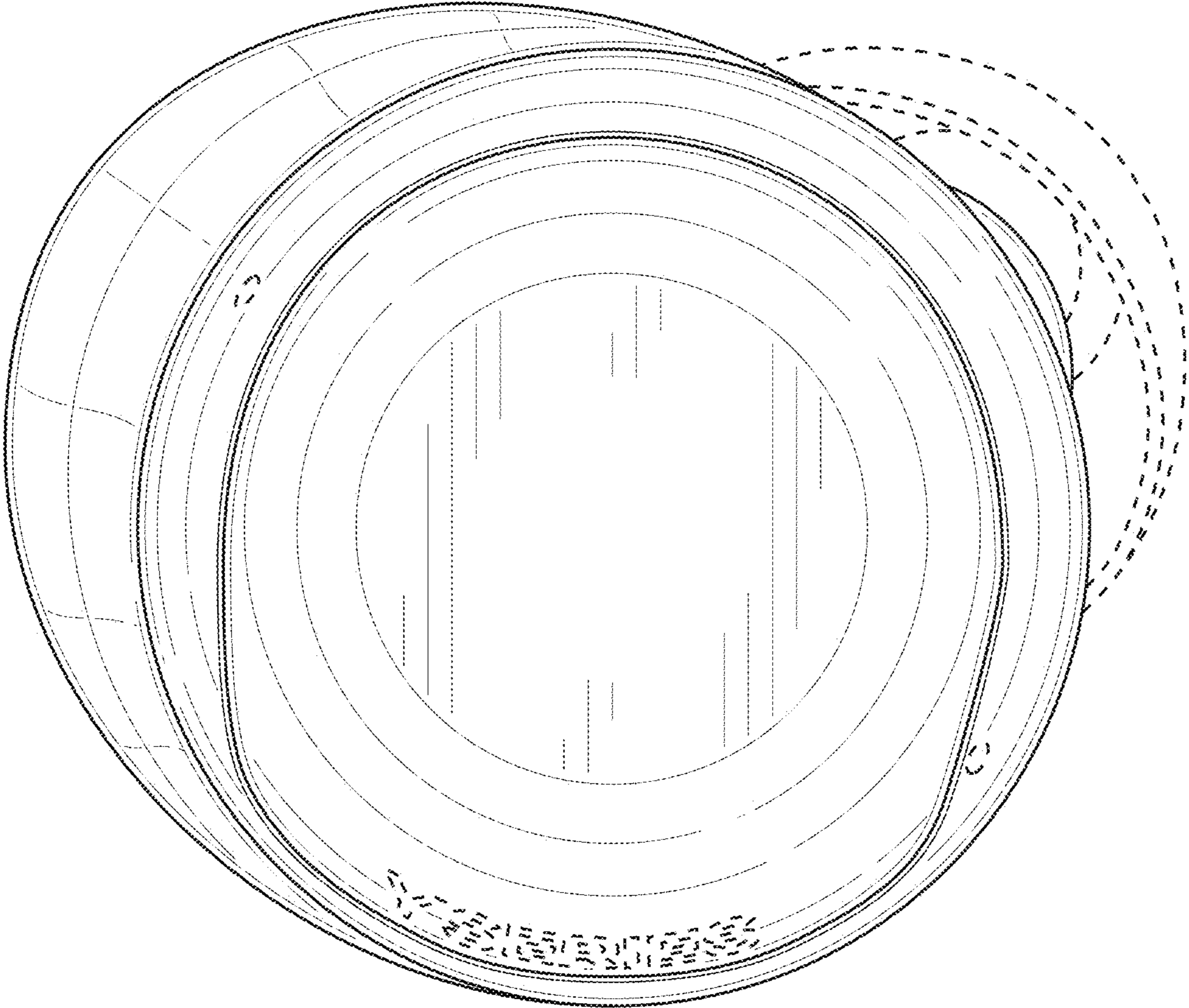


FIG. 7

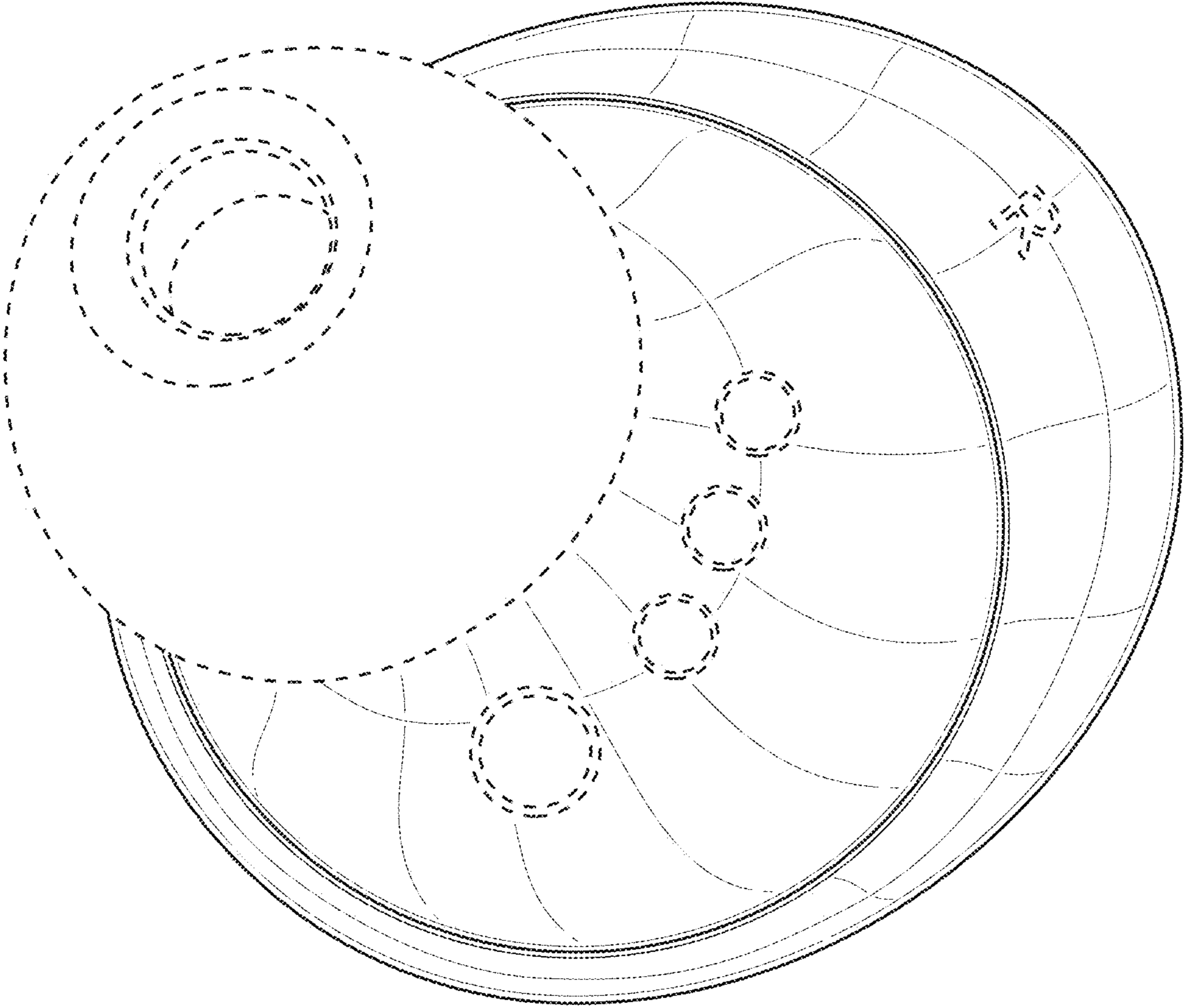


FIG. 8

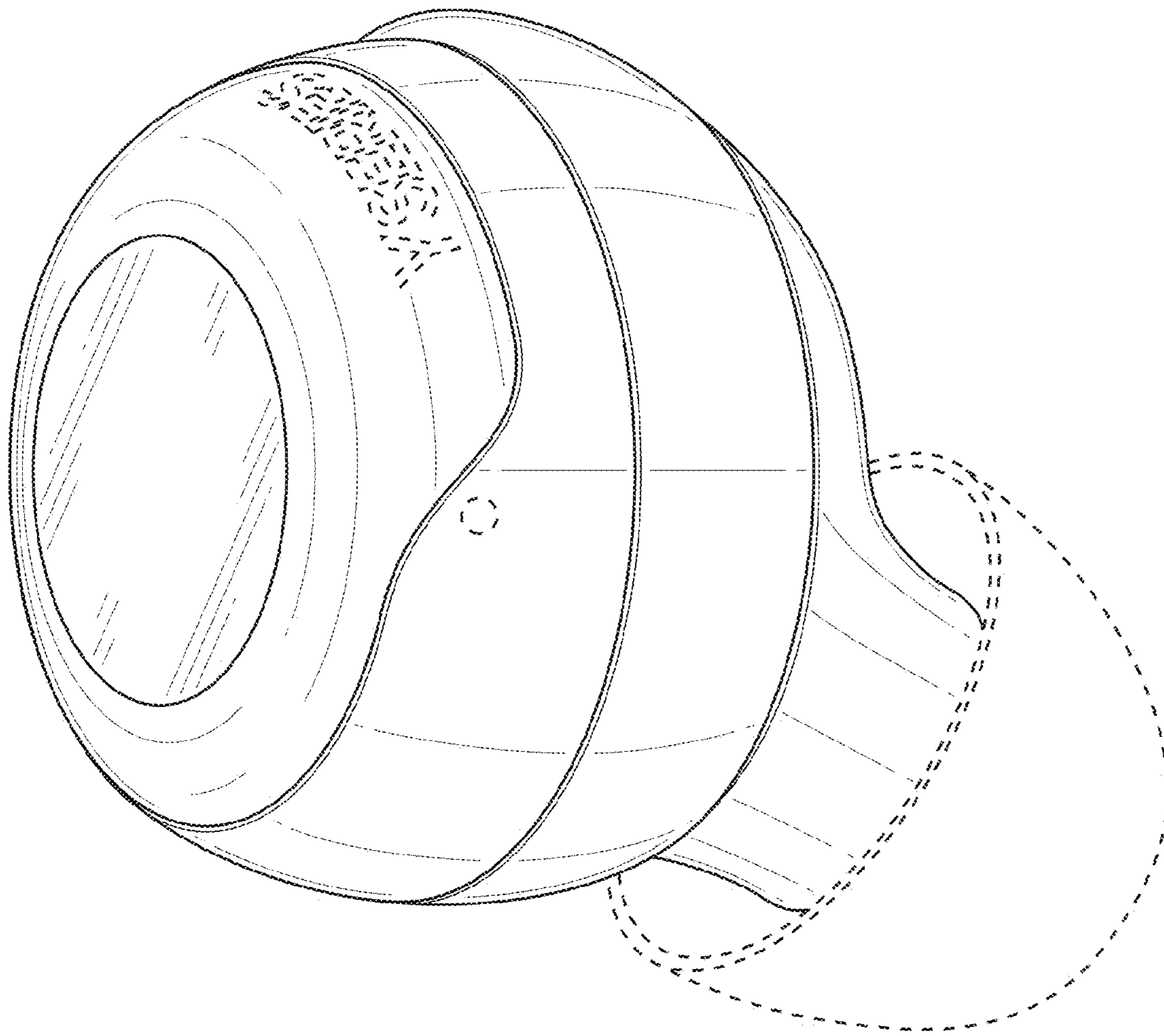


FIG. 9

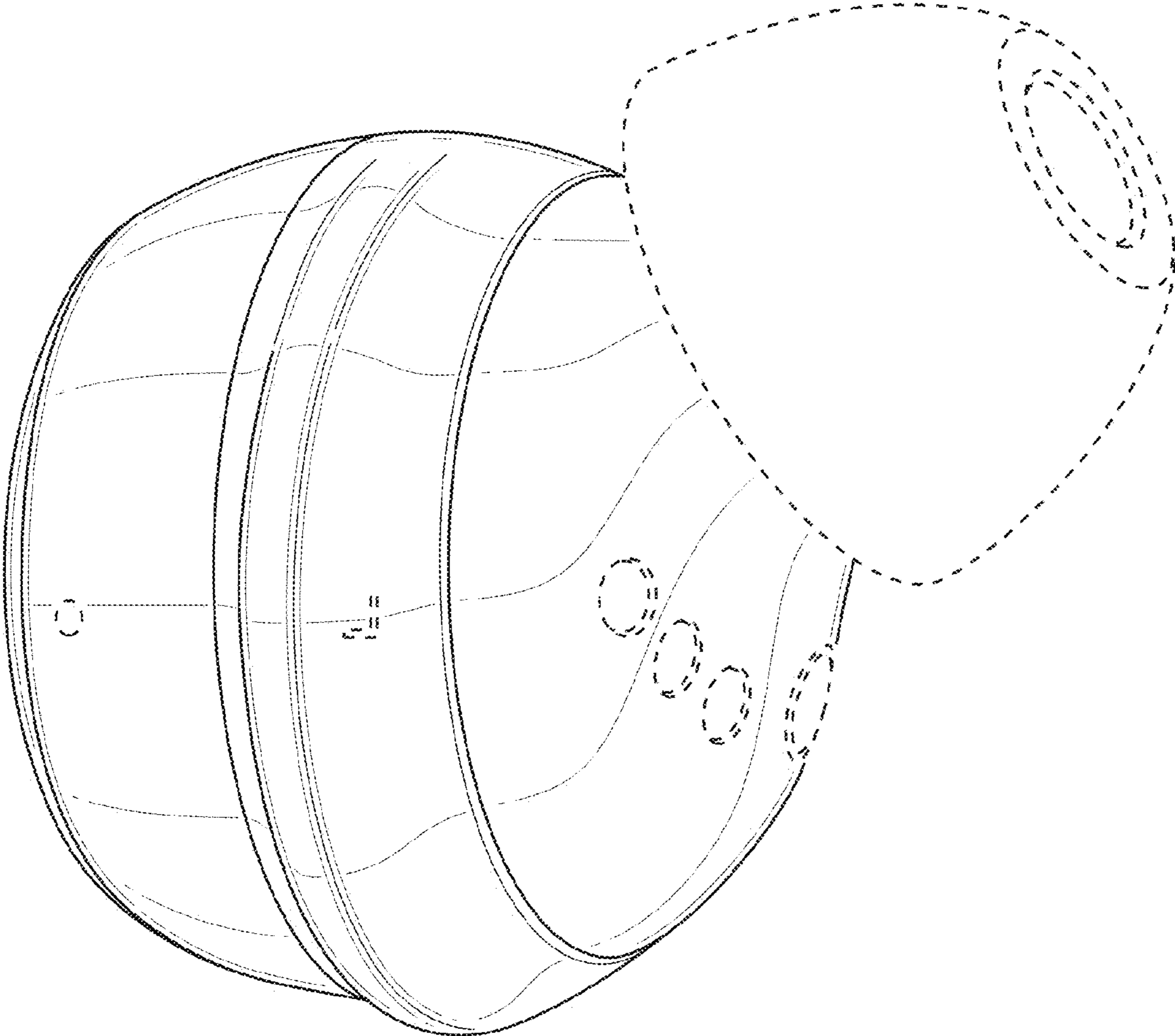


FIG. 10

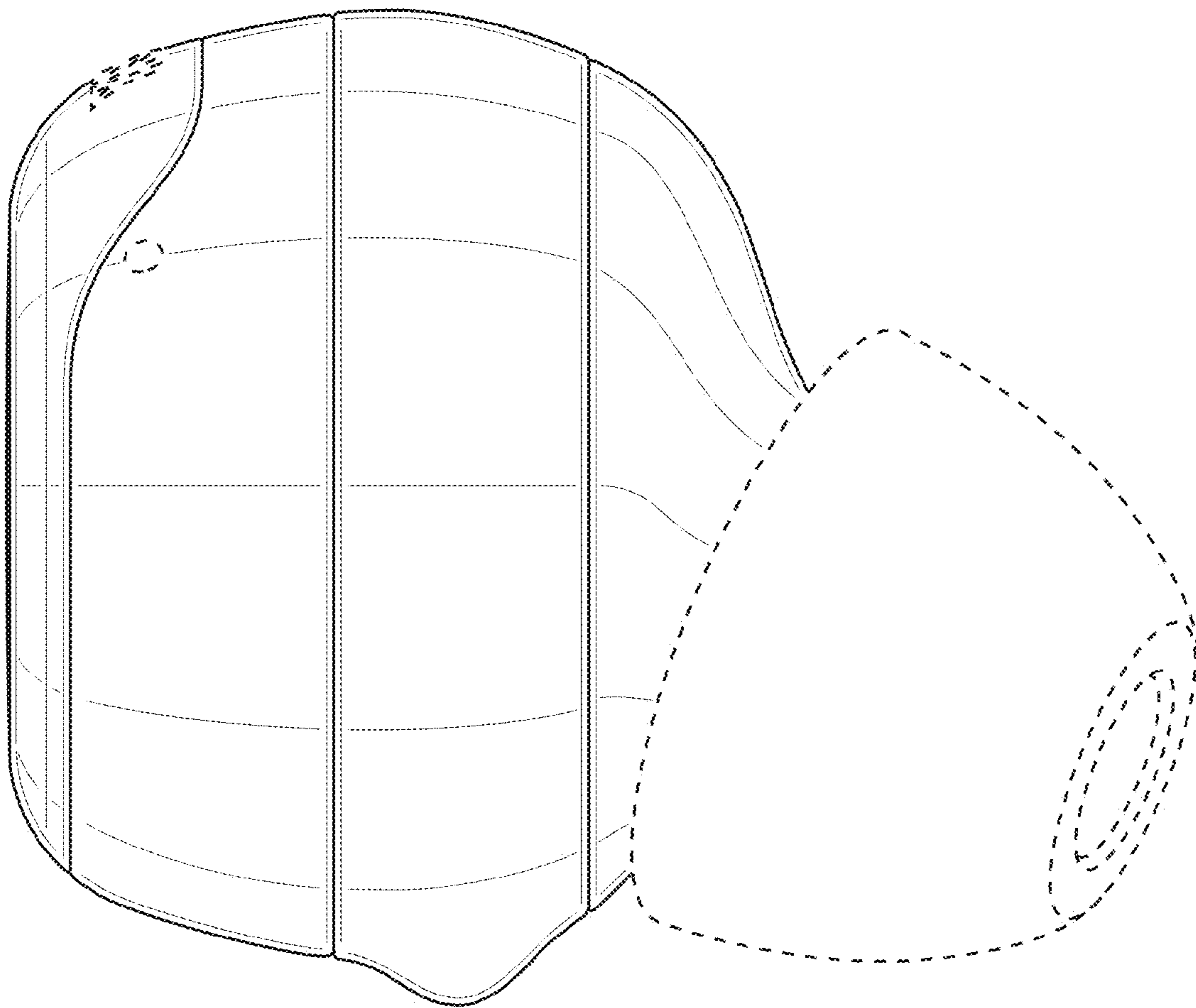


FIG. 11

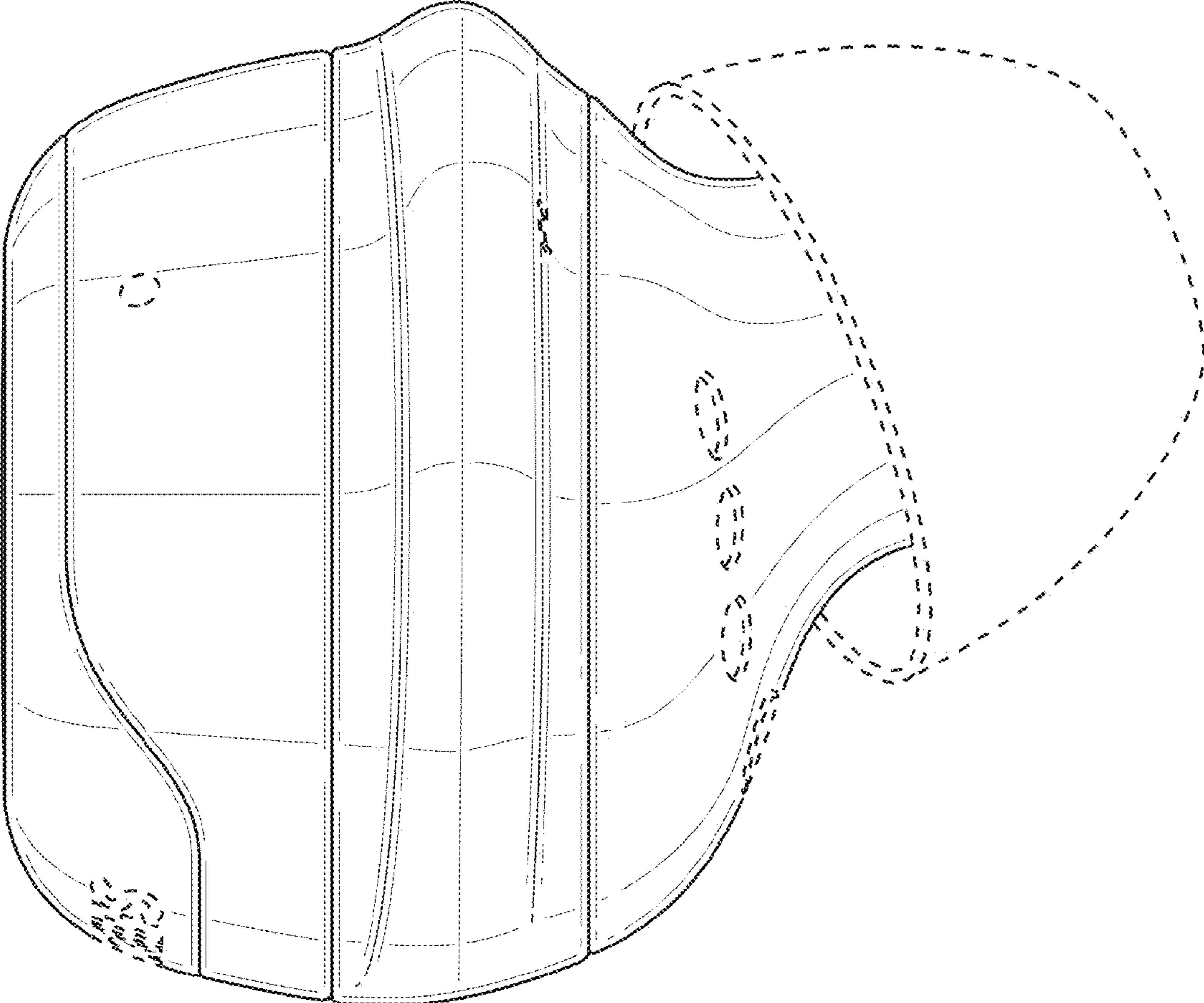


FIG. 12

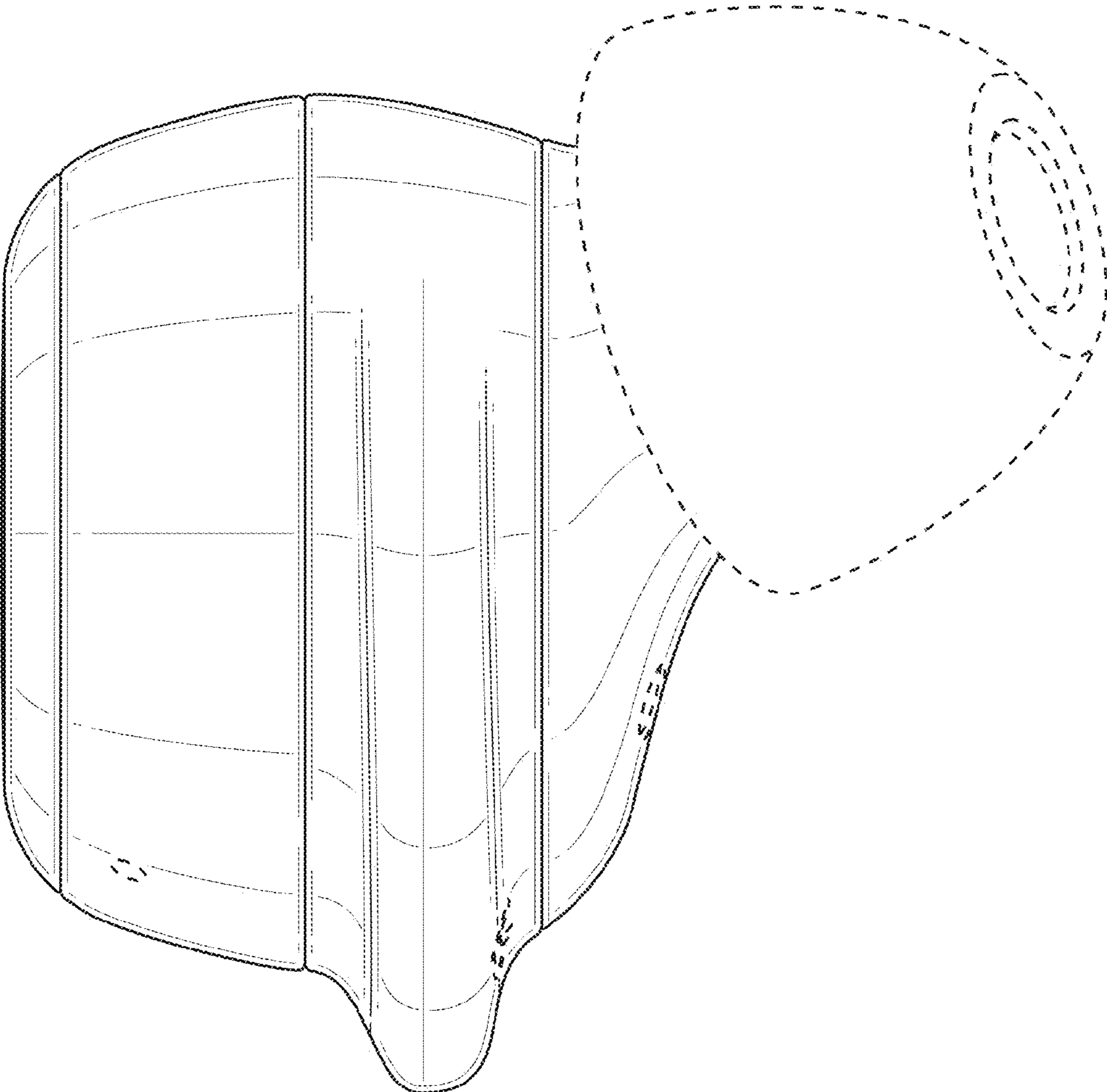


FIG. 13

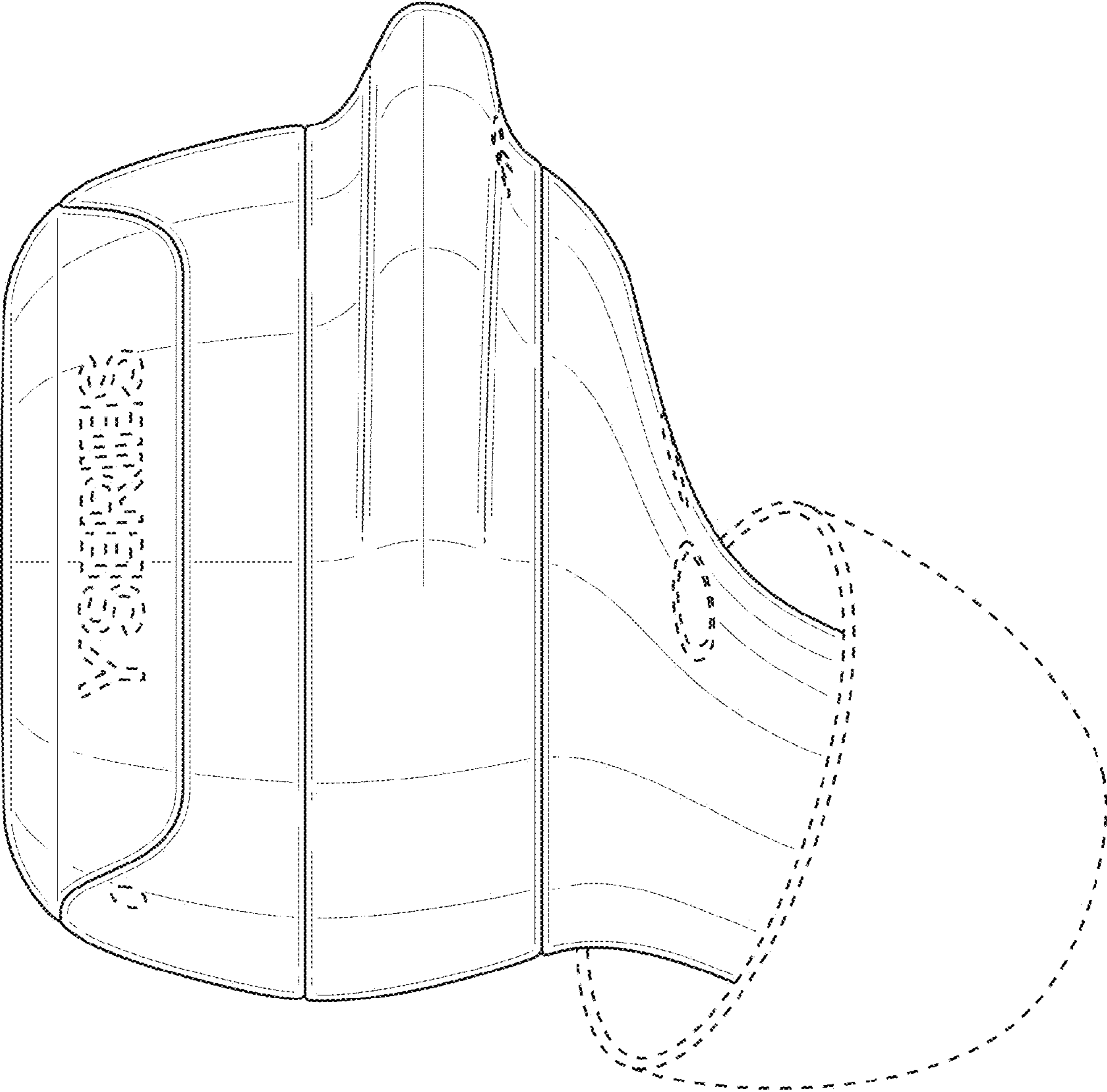


FIG. 14

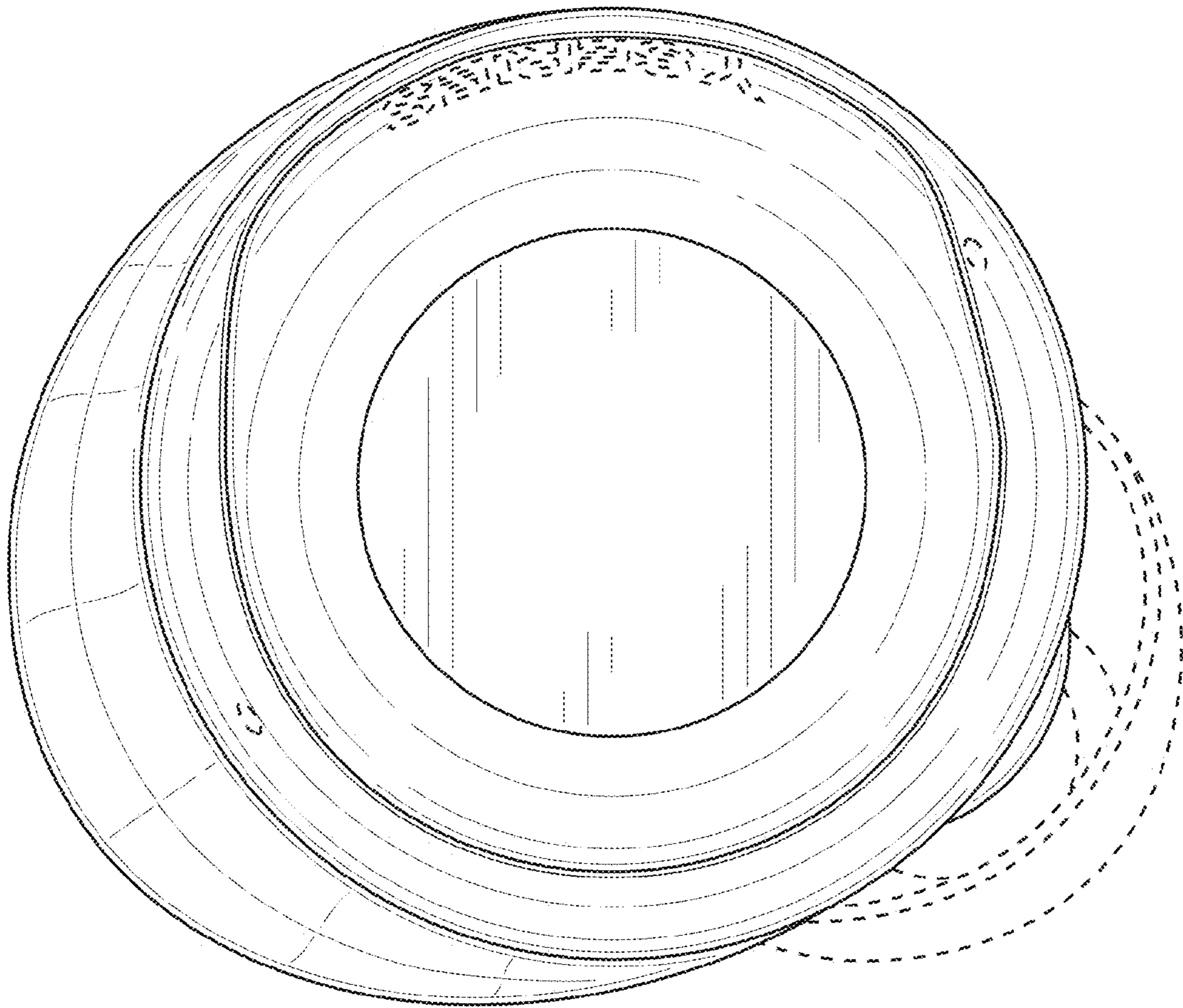


FIG. 15

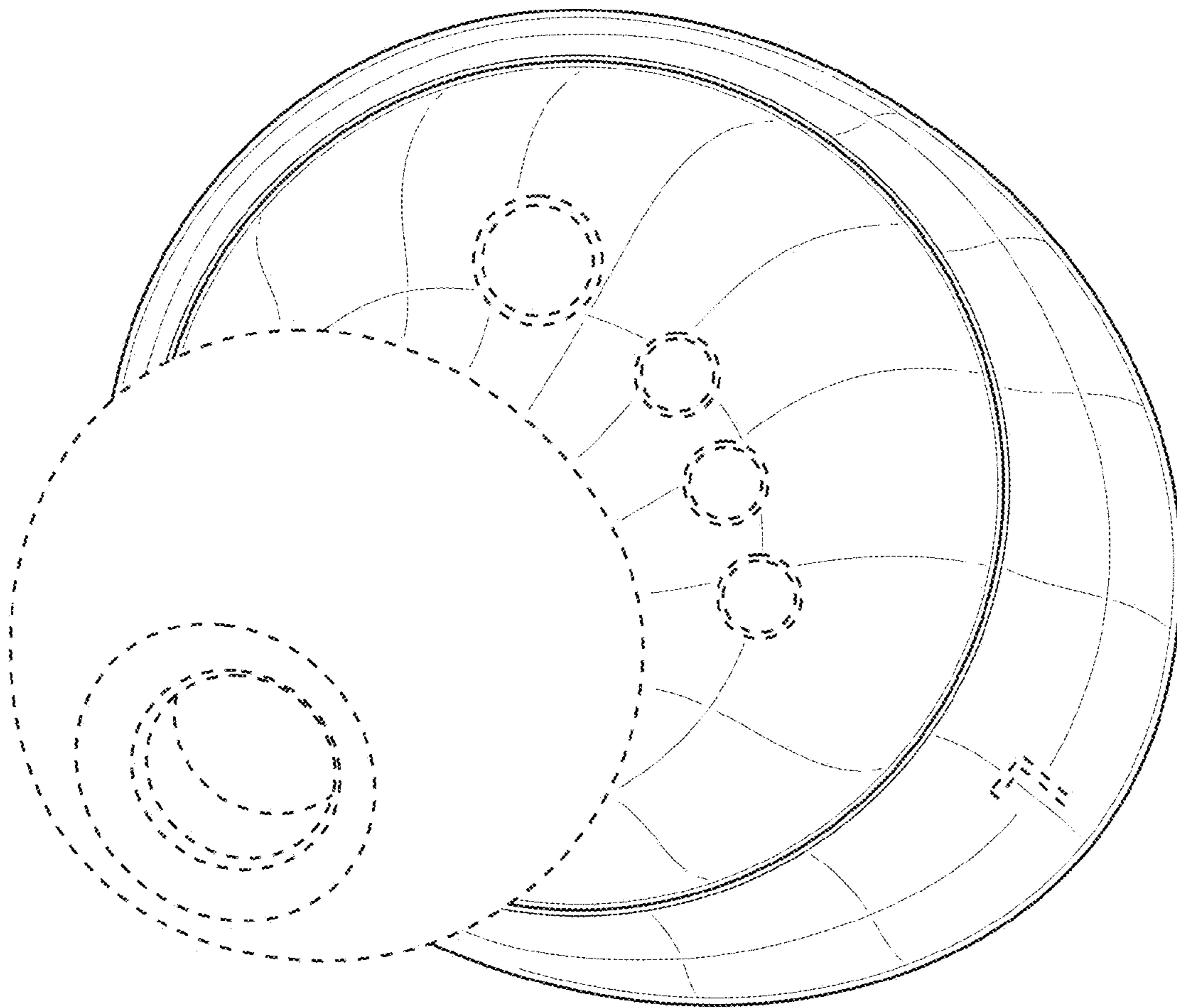


FIG. 16