



US00D930619S

(12) **United States Design Patent**
Lindenberger

(10) **Patent No.:** **US D930,619 S**

(45) **Date of Patent:** **** Sep. 14, 2021**

(54) **HEADPHONE**

(71) Applicant: **Harman International Industries, Incorporated**, Northridge, CA (US)

(72) Inventor: **Laurent Lindenberger**, Shenzhen (CN)

(73) Assignee: **Harman International Industries, Incorporated**, Northridge, CA (US)

(**) Term: **15 Years**

(21) Appl. No.: **29/719,159**

(22) Filed: **Dec. 31, 2019**

(51) **LOC (13) Cl.** **14-01**

(52) **U.S. Cl.**
USPC **D14/223**

(58) **Field of Classification Search**
USPC ... D14/205, 207, 217, 221, 223, 224, 224.1,
D14/225, 216; D24/173, 174
CPC H04R 1/10; H04R 1/1016; H04R 1/1066;
H04R 1/105; H04R 1/1033; H04R 1/08;
H04R 5/033; H04R 5/0335; H04R 25/00
See application file for complete search history.

(56) **References Cited**

U.S. PATENT DOCUMENTS

D618,218 S	6/2010	Burgett et al.
D618,219 S	6/2010	Burgett et al.
D673,530 S	1/2013	Feng et al.
D678,856 S	3/2013	Feng et al.
D678,857 S	3/2013	Feng et al.
D678,858 S	3/2013	Feng et al.
D678,868 S	3/2013	Feng et al.
D695,718 S	12/2013	Burgett et al.
D695,719 S	12/2013	Burgett et al.
D696,230 S	12/2013	Burgett et al.
D699,213 S	2/2014	Burgett et al.
D700,905 S	3/2014	Pavitsich

(Continued)

FOREIGN PATENT DOCUMENTS

CN 306297371 * 1/2021
CN 306314793 * 2/2021

(Continued)

OTHER PUBLICATIONS

Best sports headphones 2021: keep active with these earbuds, announced Apr. 13, 2021 [online], retrieved May 5, 2021, retrieved from internet, <https://www.whathifi.com/us/best-buys/best-running-headphones-great-sports-headphones-for-the-gym>.*

(Continued)

Primary Examiner — Dana K Weiland

Assistant Examiner — Messina L Smith

(74) *Attorney, Agent, or Firm* — Plumsea Law Group, LLC

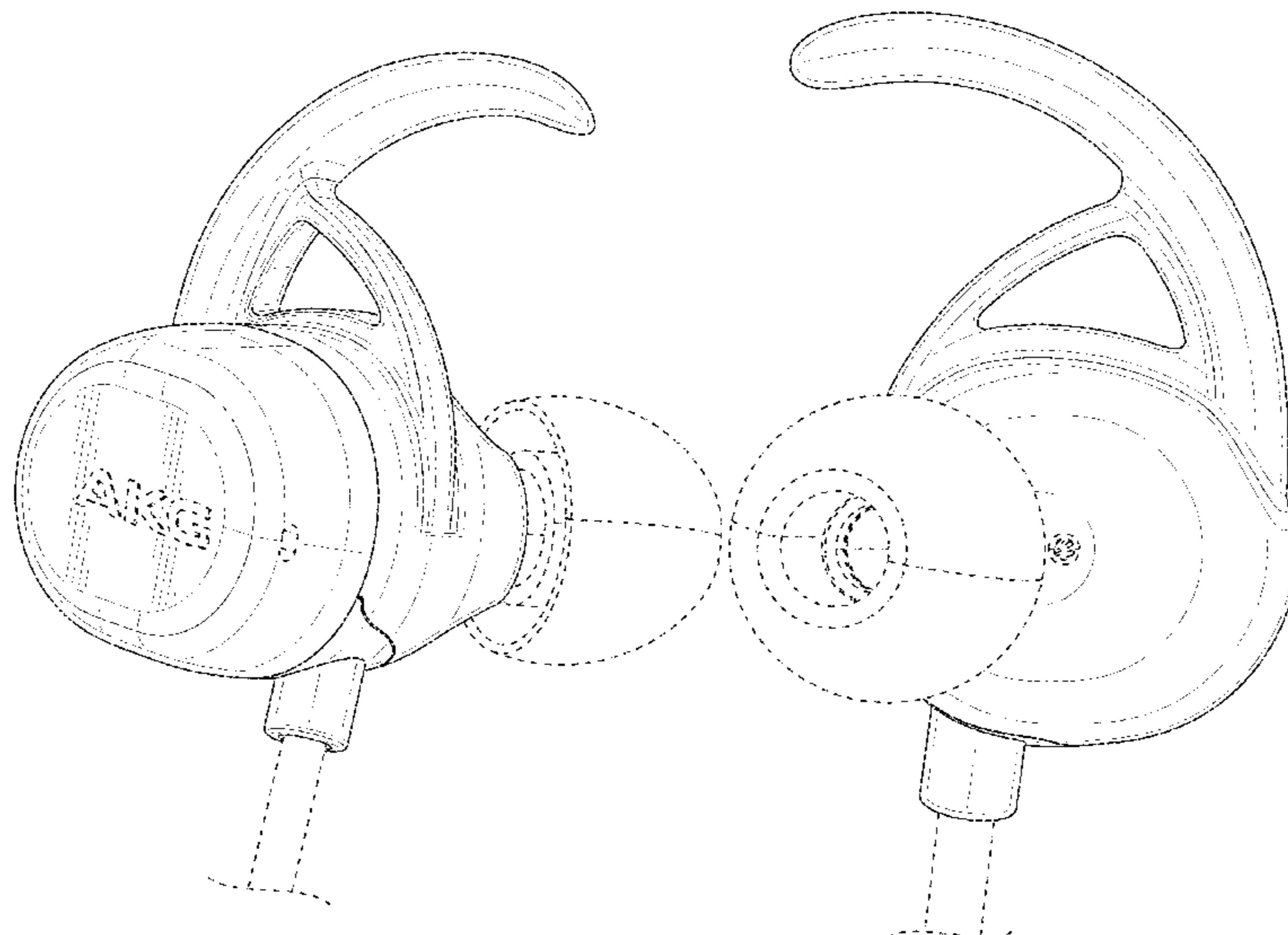
(57) **CLAIM**

The ornamental design for a headphone, as shown and described.

DESCRIPTION

FIG. 1 is a perspective view of a headphone showing the new design;
FIG. 2 is a front elevational view thereof;
FIG. 3 is a rear elevational view thereof;
FIG. 4 is a side elevational view thereof;
FIG. 5 is an opposite side elevational view thereof;
FIG. 6 is a top view thereof;
FIG. 7 is a perspective view of another embodiment of the headphone, illustrating a mirror image of the headphone of FIGS. 1-6;
FIG. 8 is a front elevational view thereof;
FIG. 9 is a rear elevational view thereof;
FIG. 10 is a side elevational view thereof;
FIG. 11 is an opposite side elevational view thereof; and,
FIG. 12 is a top view thereof.
The broken lines in the figures depict portions of the headphone that form no part of the claimed design.

1 Claim, 12 Drawing Sheets



(56)

References Cited

U.S. PATENT DOCUMENTS

D710,326 S 8/2014 Burgett et al.
 D711,857 S 8/2014 Burgett et al.
 D713,385 S 9/2014 Burgett et al.
 D716,771 S 11/2014 Burgett et al.
 D725,081 S 3/2015 Burgett et al.
 D725,634 S 3/2015 Burgett et al.
 D725,635 S 3/2015 Burgett et al.
 D746,268 S 12/2015 Karayiannis et al.
 D764,445 S 8/2016 Czaniecki
 D769,220 S 10/2016 Burgett et al.
 D770,426 S 11/2016 LaBerge et al.
 D771,011 S 11/2016 Ott et al.
 D772,844 S 11/2016 Ott et al.
 D773,435 S 12/2016 Ott et al.
 D773,438 S 12/2016 Walker et al.
 D773,439 S 12/2016 Walker
 D796,485 S 9/2017 Sia et al.
 D800,703 S 10/2017 Vaclavik
 D803,816 S 11/2017 Bolster
 D806,059 S 12/2017 Ott et al.
 D806,685 S 1/2018 Park
 D806,686 S 1/2018 Ott et al.
 D810,724 S 2/2018 Czaniecki et al.
 D817,309 S 5/2018 Czaniecki et al.
 D821,362 S 6/2018 Vaclavik
 D824,359 S 7/2018 Czaniecki
 D824,875 S 8/2018 Czaniecki
 D833,420 S 11/2018 Lindenberger
 D840,972 S * 2/2019 Luo D14/205
 D845,932 S 4/2019 Lu
 D853,351 S 7/2019 Ott et al.
 D862,412 S 10/2019 Yook
 D862,422 S 10/2019 Lindenberger
 D866,532 S * 11/2019 Zhang D14/223
 D868,729 S 12/2019 Czaniecki
 D869,431 S 12/2019 Czaniecki
 D870,708 S 12/2019 Lindenberger
 D870,709 S 12/2019 Meyer
 D870,711 S 12/2019 Karayiannis et al.
 D871,374 S 12/2019 Karayiannis et al.
 D871,375 S 12/2019 Meyer
 D873,238 S * 1/2020 Wen D14/205
 D875,709 S * 2/2020 Yuanfa D14/205
 D876,399 S * 2/2020 Duddy D14/223
 D890,122 S * 7/2020 Krakovski D14/205
 D894,158 S * 8/2020 Gu D14/223
 D895,572 S * 9/2020 Maeda D14/205
 D897,321 S * 9/2020 Wei D14/223
 D897,995 S * 10/2020 Duddy D14/223
 D899,399 S * 10/2020 Jung D14/205
 D902,890 S * 11/2020 Williamson D14/223

D906,293 S * 12/2020 Williamson D14/223
 D906,298 S * 12/2020 Wang D14/223
 D907,599 S * 1/2021 Dryden D14/205
 D912,648 S * 3/2021 Williamson D14/223
 D914,650 S * 3/2021 Hu D14/223
 2018/0376237 A1 * 12/2018 Schlesinger H04R 1/1083
 2019/0261079 A1 * 8/2019 Okawa H04R 1/1016
 2020/0037058 A1 * 1/2020 Ueda G06F 3/017

FOREIGN PATENT DOCUMENTS

CN 306391066 * 3/2021
 CN 306451023 * 4/2021
 IN 328403-001-0001 * 3/2020

OTHER PUBLICATIONS

AKG N200, announced 2019 [online], retrieved May 5, 2021, retrieved from internet, <https://www.headphonecheck.com/test/akg-n200/>.*

AKG N400 truly wireless earbuds, announced Jul. 9, 2019 [online], retrieved May 5, 2021, retrieved from internet, <https://www.fonearena.com/blog/286556/akg-n400-akg-y400-akg-y600-samsung-smarthings-app.html>.*

AKG N200 Wireless Bluetooth Earbuds, announced Oct. 25, 2018 [online], retrieved May 5, 2021, retrieved from internet, <https://www.amazon.com/AKG-N200-Wireless-Bluetooth-Earbuds/dp/B07HFQJKYV>.*

The 5 Best Sport Earbuds, announced Feb. 27, 2015 [online], retrieved May 5, 2021, retrieved from internet, <https://www.wsj.com/articles/the-5-best-sport-earbuds-1425073783>.*

Design U.S. Appl. No. 29/631,197, filed Dec. 28, 2017.
 Design U.S. Appl. No. 29/631,265, filed Dec. 28, 2017.
 Design U.S. Appl. No. 29/661,340, filed Aug. 27, 2018.
 Design U.S. Appl. No. 29/661,384, filed Aug. 27, 2018.
 Design U.S. Appl. No. 29/661,456, filed Aug. 28, 2018.
 Design U.S. Appl. No. 29/675,151, filed Dec. 28, 2018.
 Design U.S. Appl. No. 29/675,537, filed Jan. 3, 2019.
 Design U.S. Appl. No. 29/688,619, filed Apr. 23, 2019.
 Design U.S. Appl. No. 29/695,334, filed Jun. 18, 2019.
 Design U.S. Appl. No. 29/711,484, filed Oct. 31, 2019.
 Design U.S. Appl. No. 29/717,872, filed Dec. 19, 2019.
 Design U.S. Appl. No. 29/719,091, filed Dec. 31, 2019.
 Design U.S. Appl. No. 29/720,428, filed Jan. 13, 2020.
 Design U.S. Appl. No. 29/734,436, filed May 12, 2020.
 Design U.S. Appl. No. 29/719,154, filed Dec. 31, 2019.
 Design U.S. Appl. No. 29/719,185, filed Jan. 1, 2020.
 Design U.S. Appl. No. 29/719,410, filed Jan. 3, 2020.
 Design U.S. Appl. No. 29/719,419, filed Jan. 3, 2020.

* cited by examiner

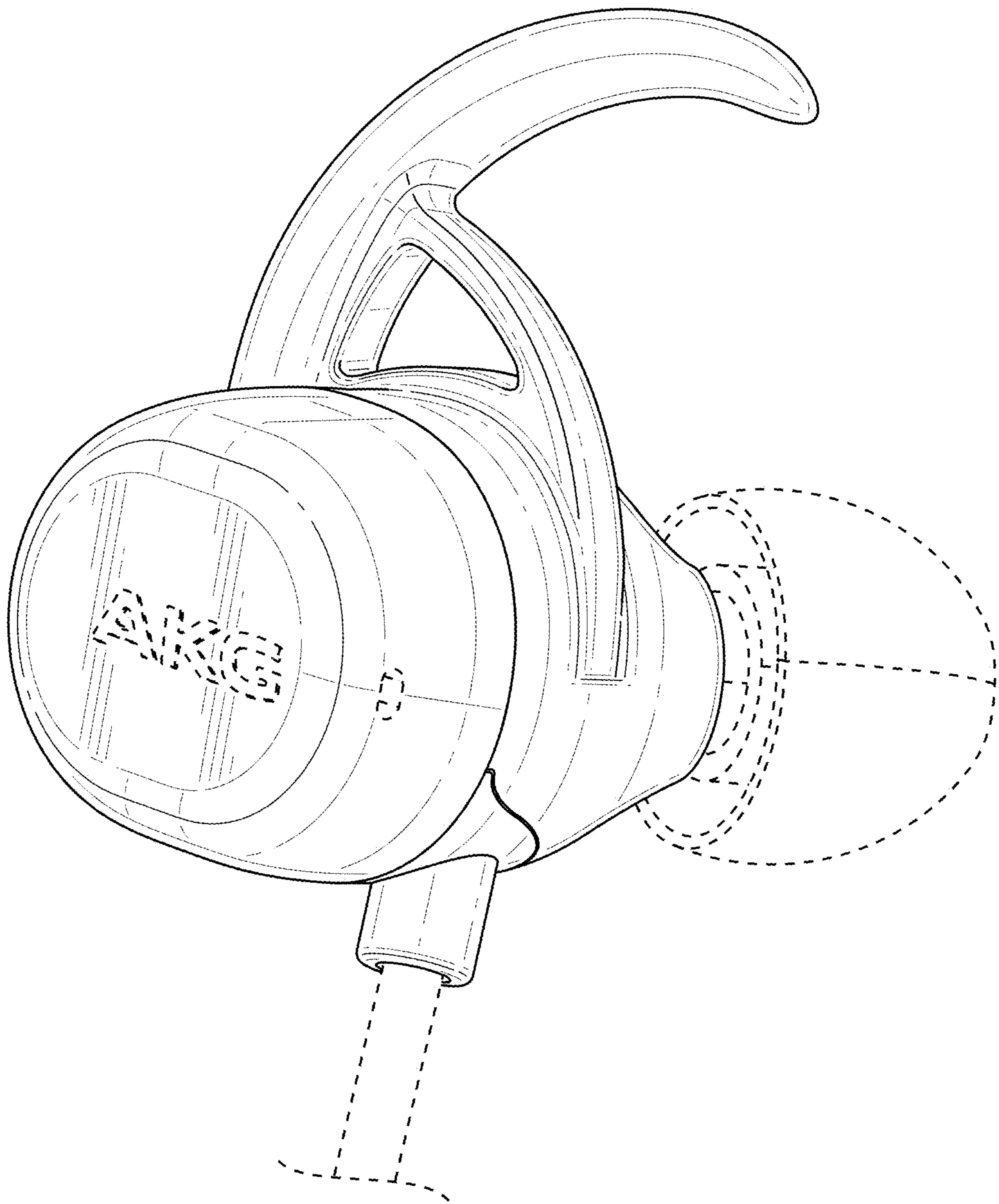


FIG. 1

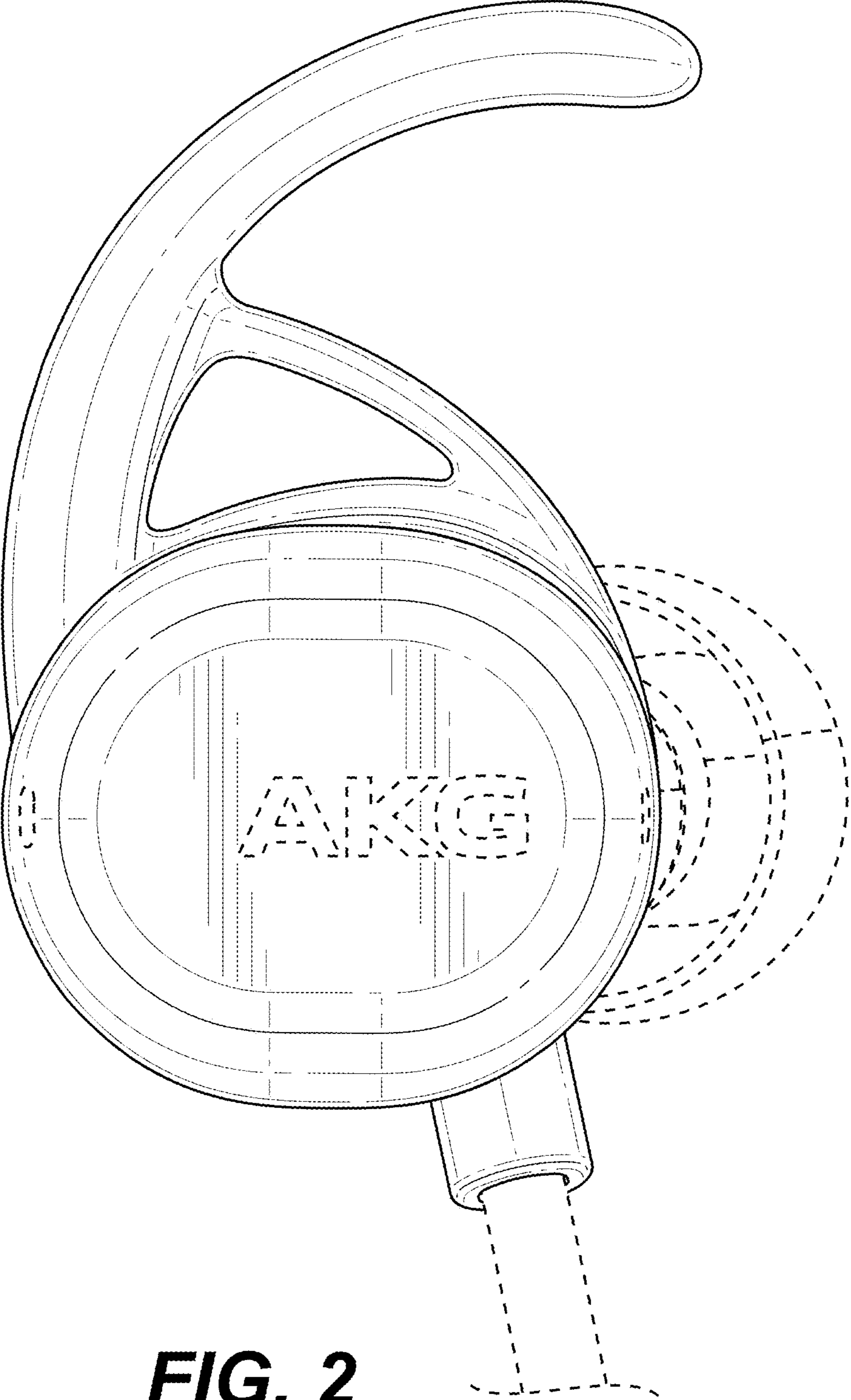
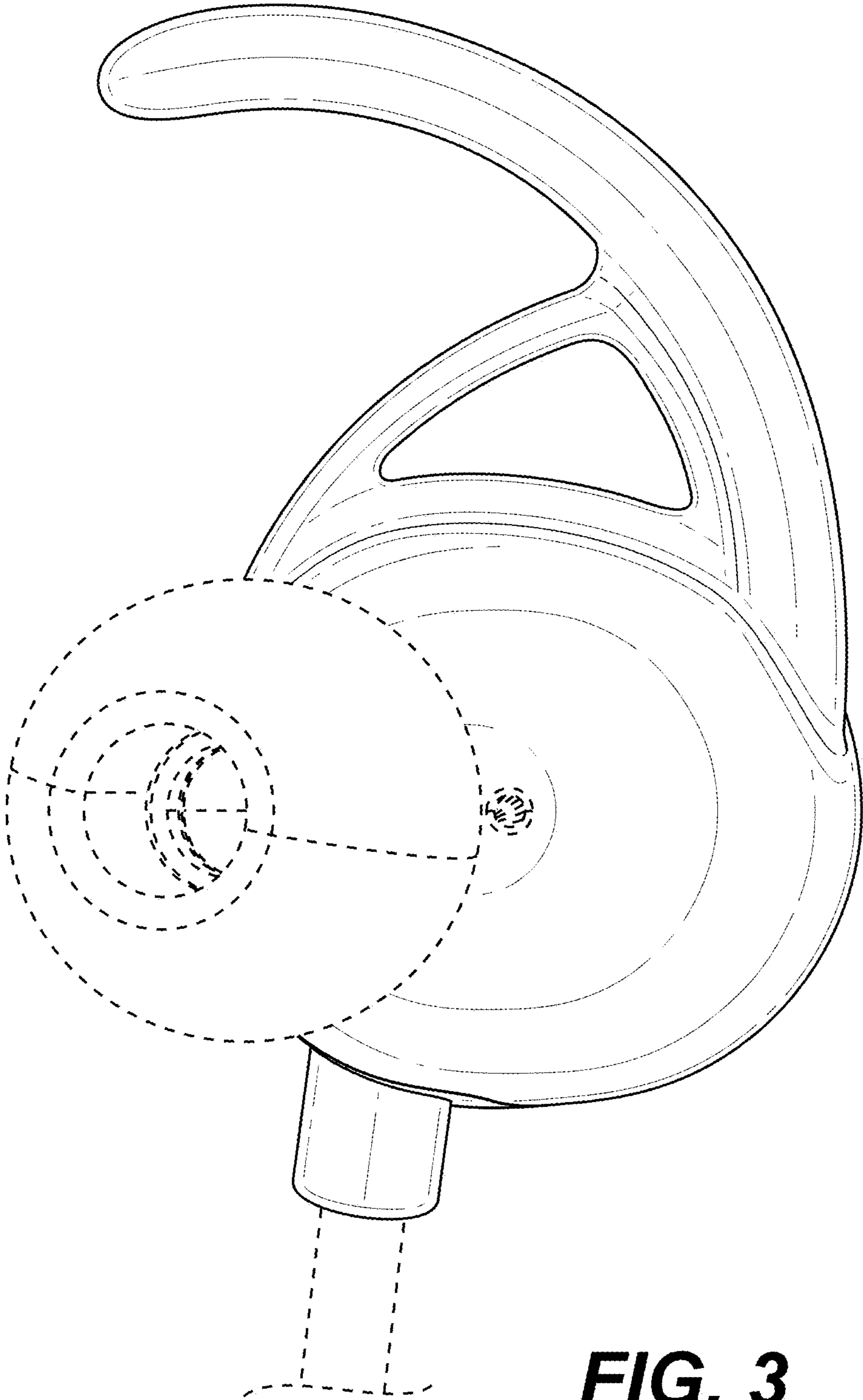


FIG. 2



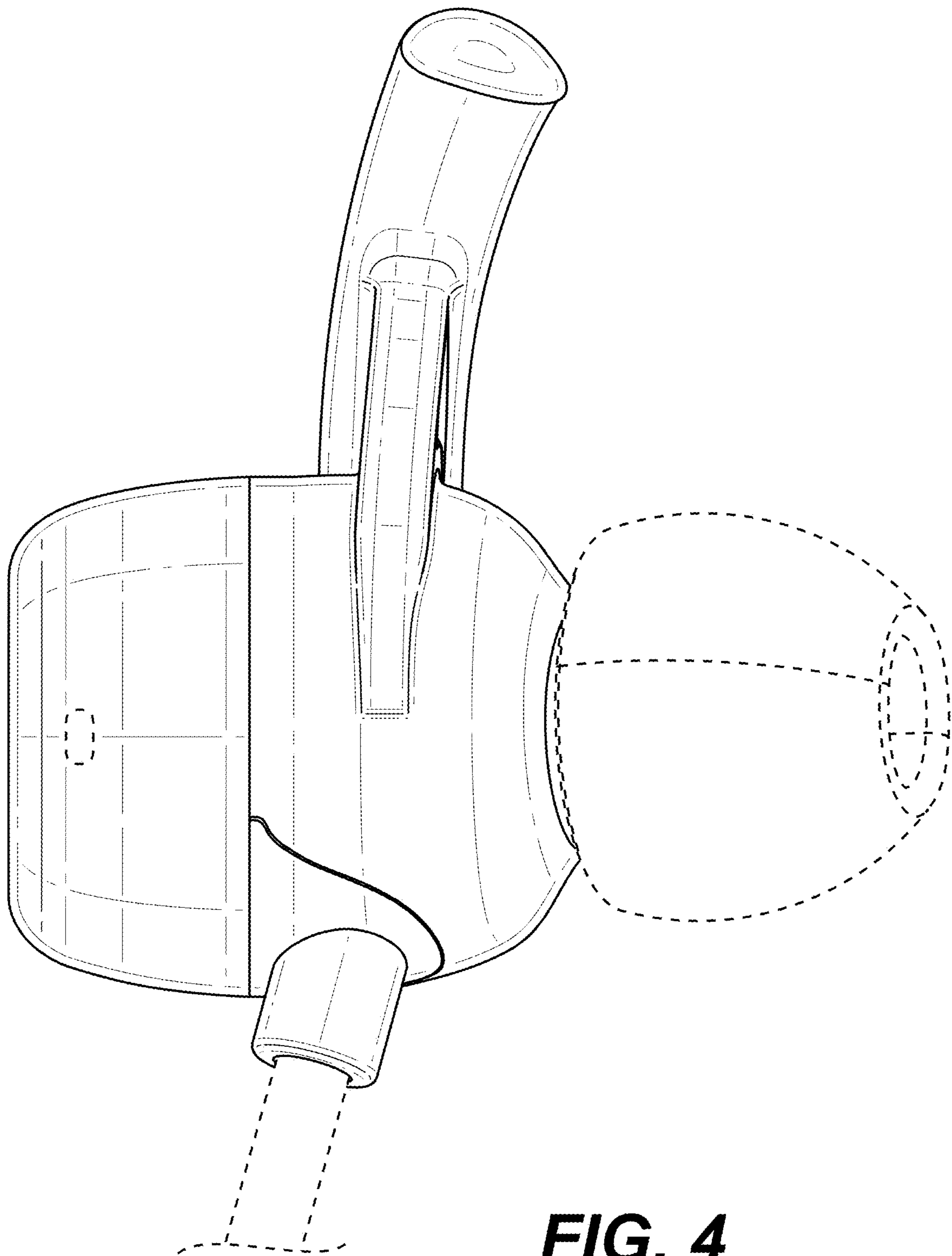


FIG. 4

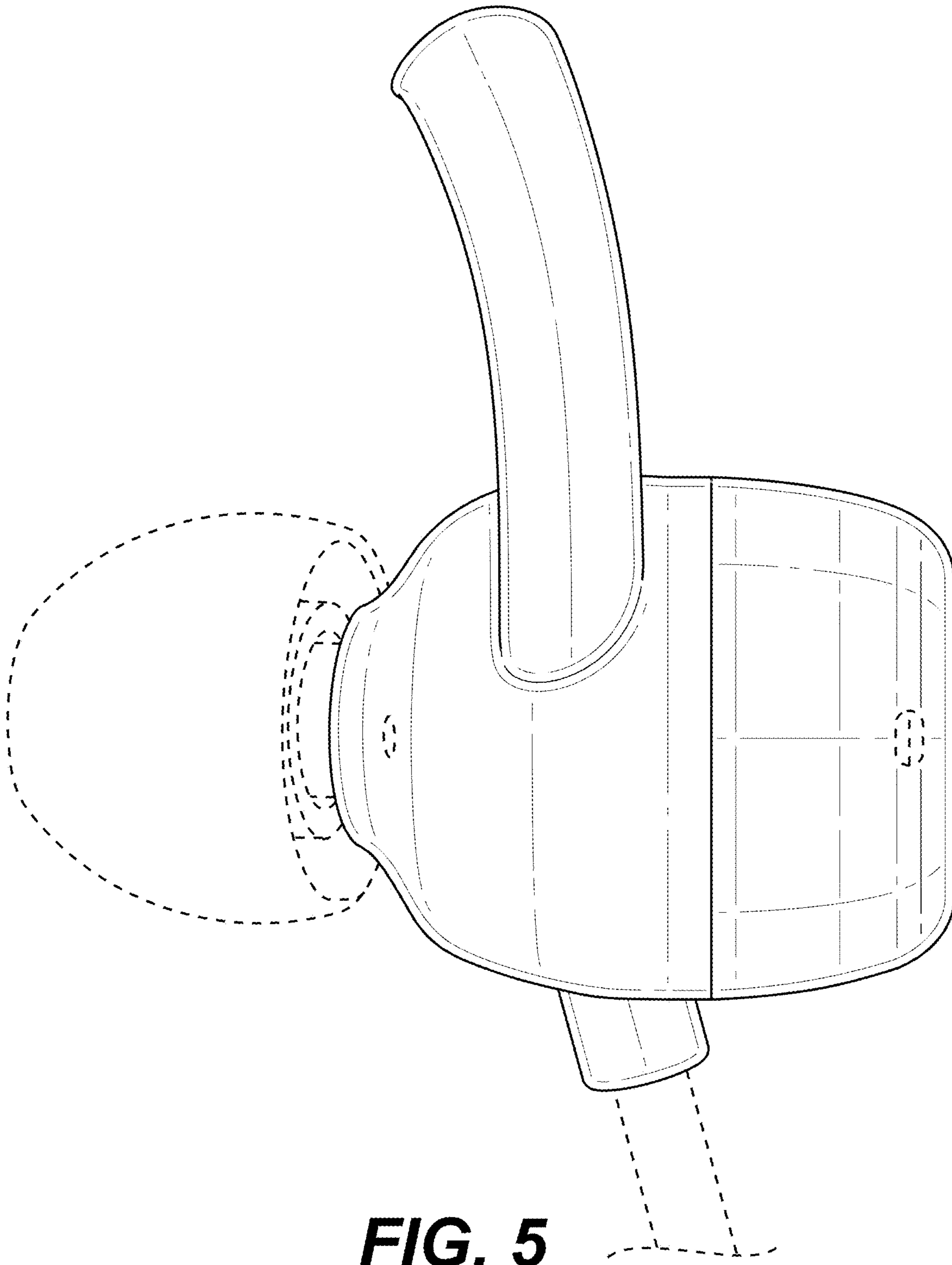


FIG. 5

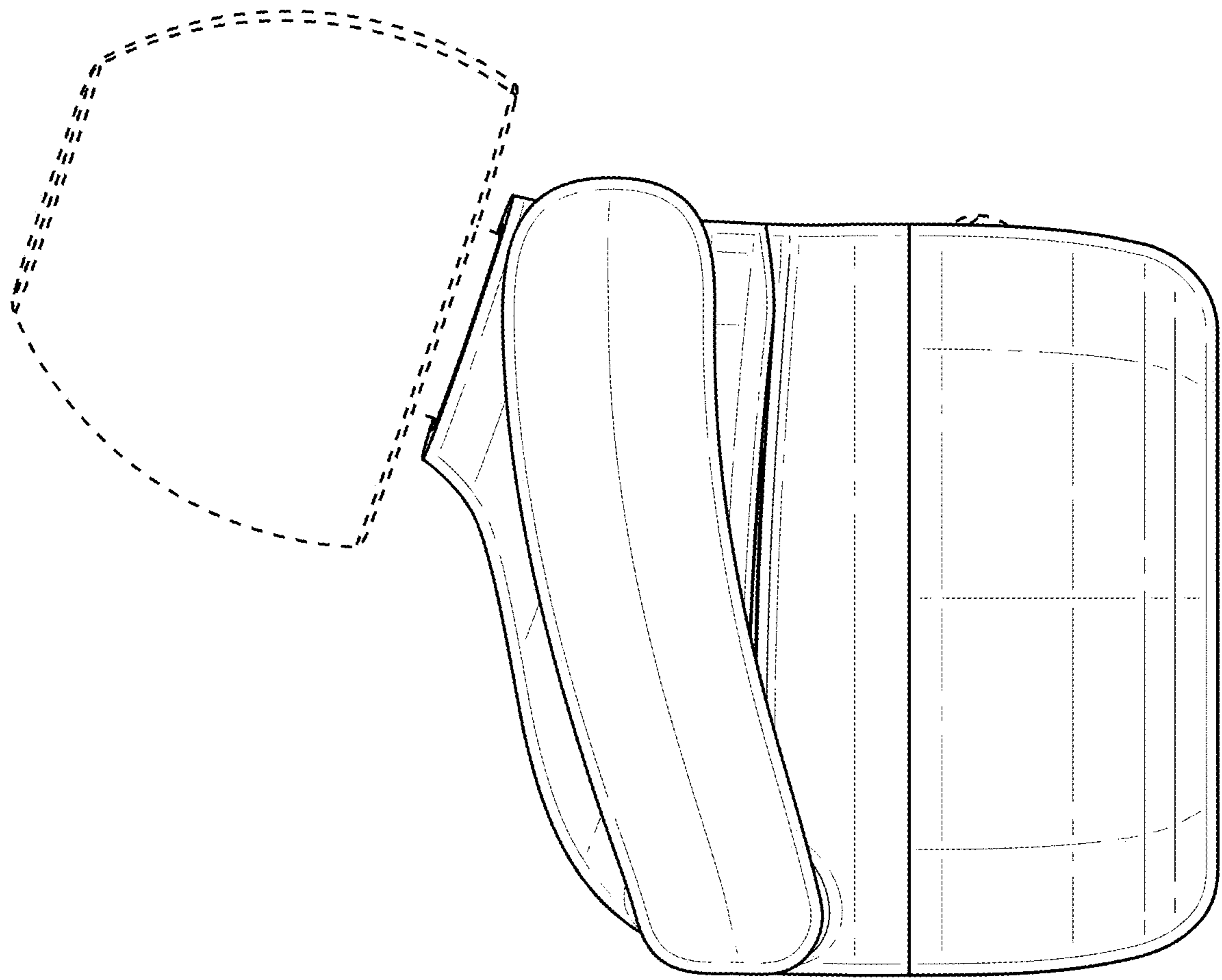


FIG. 6

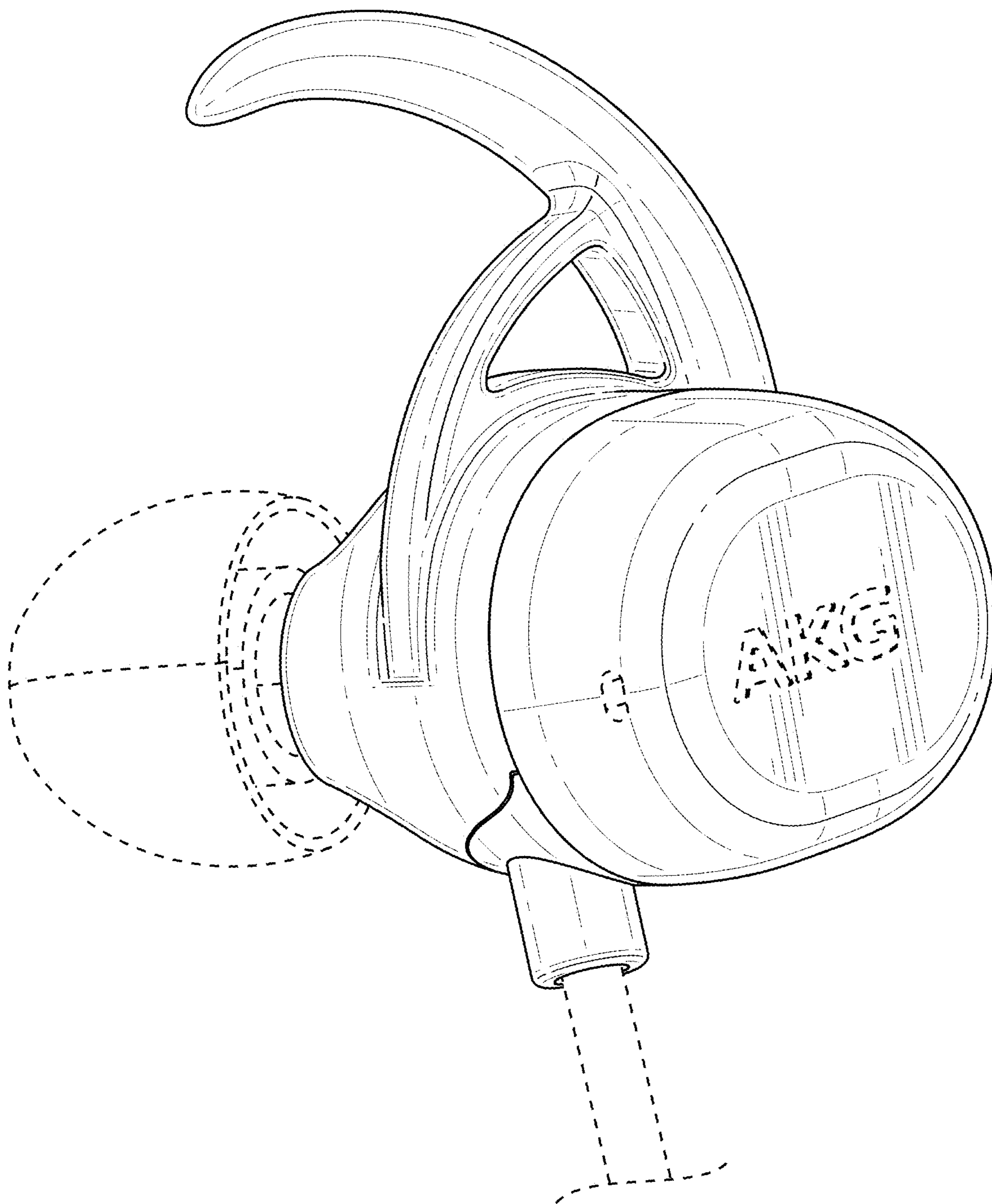


FIG. 7

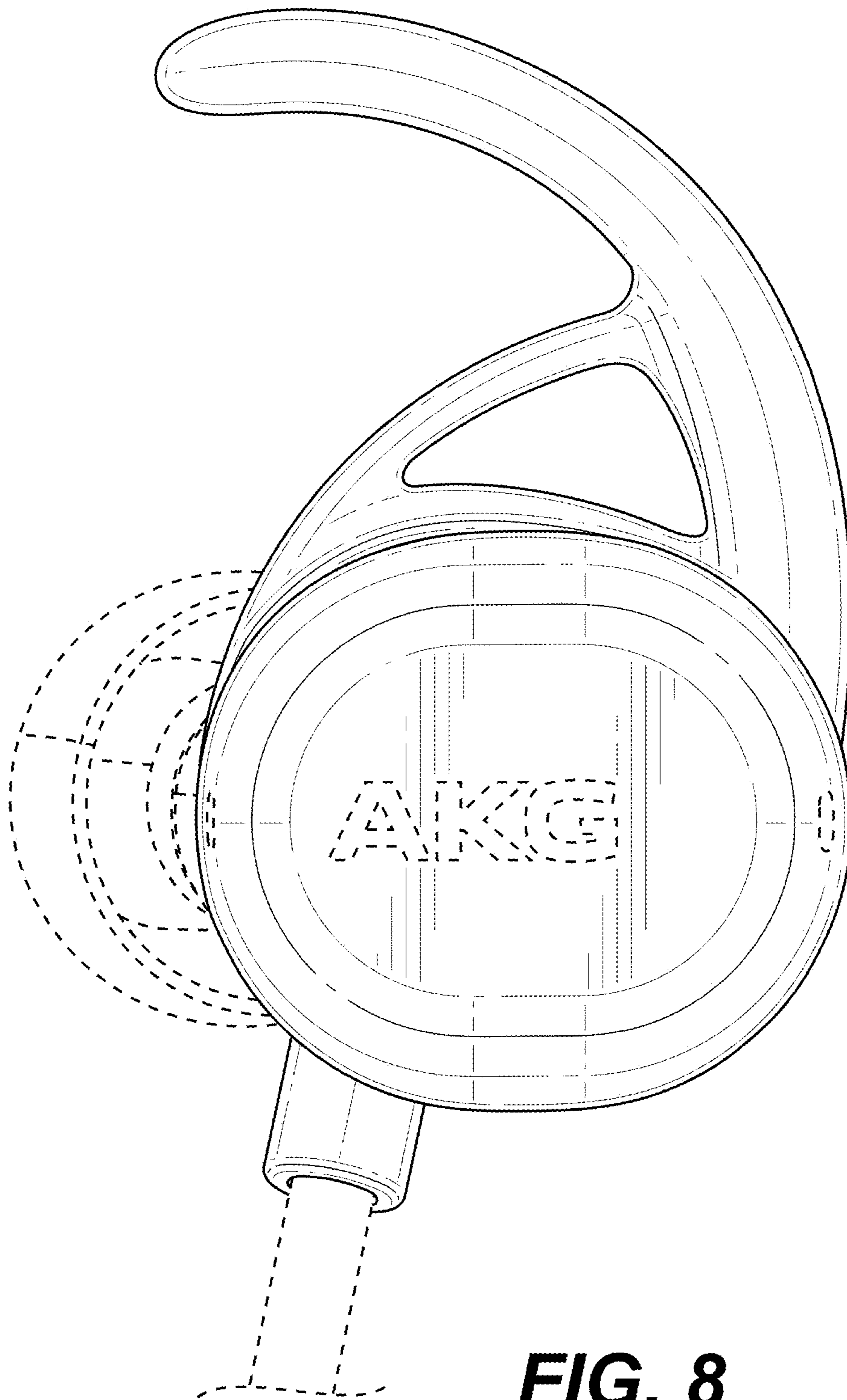


FIG. 8

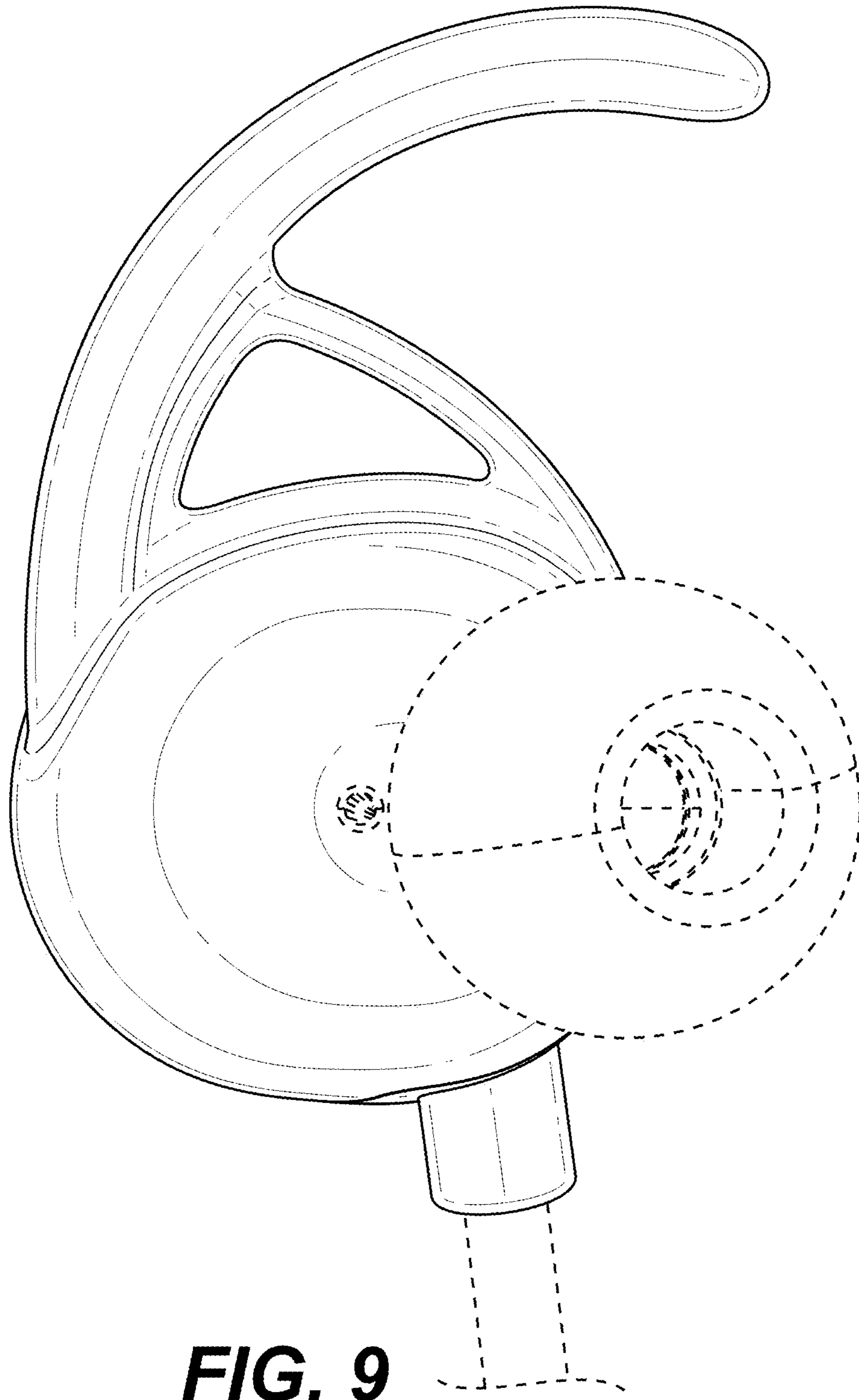


FIG. 9

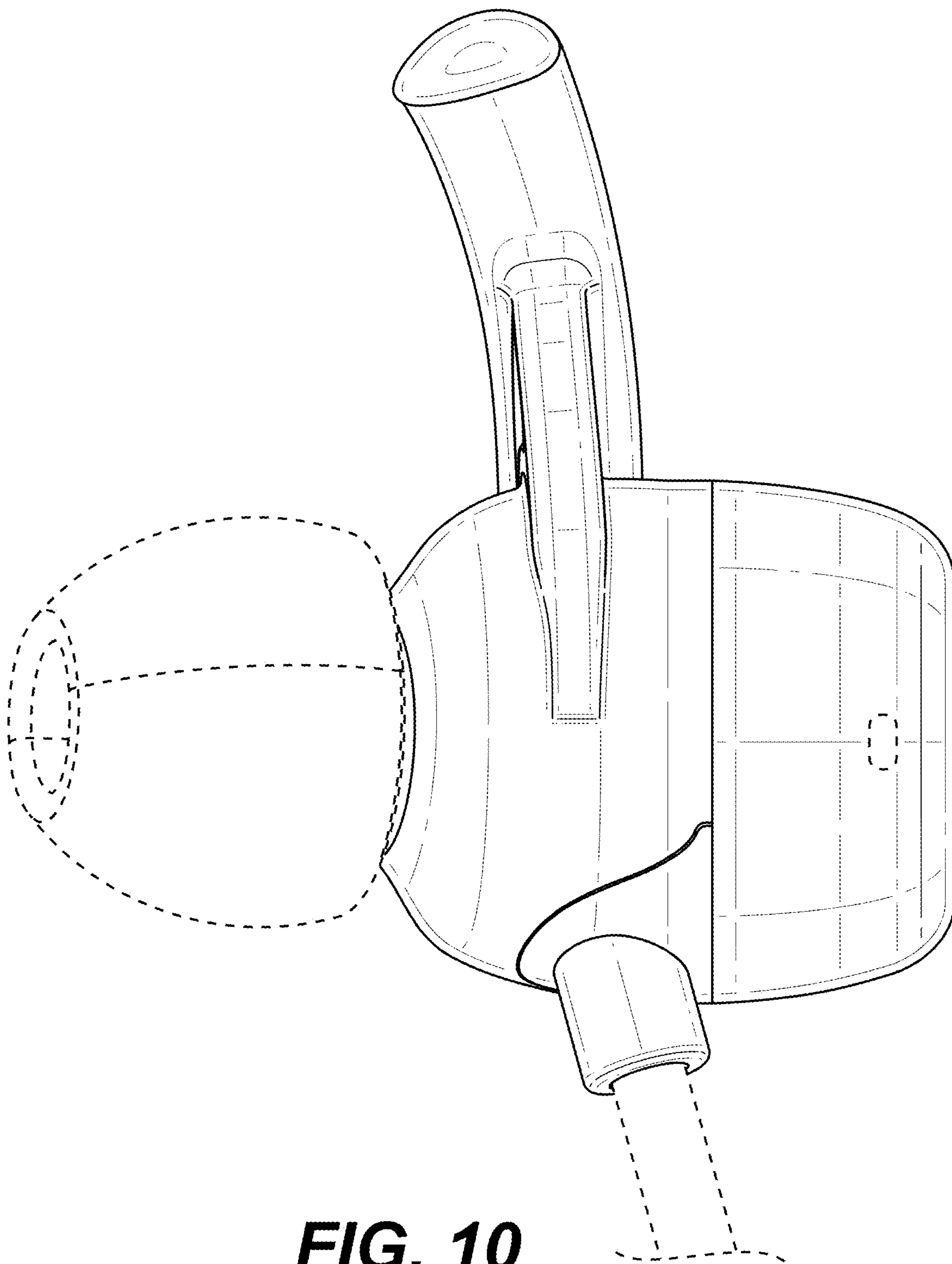


FIG. 10

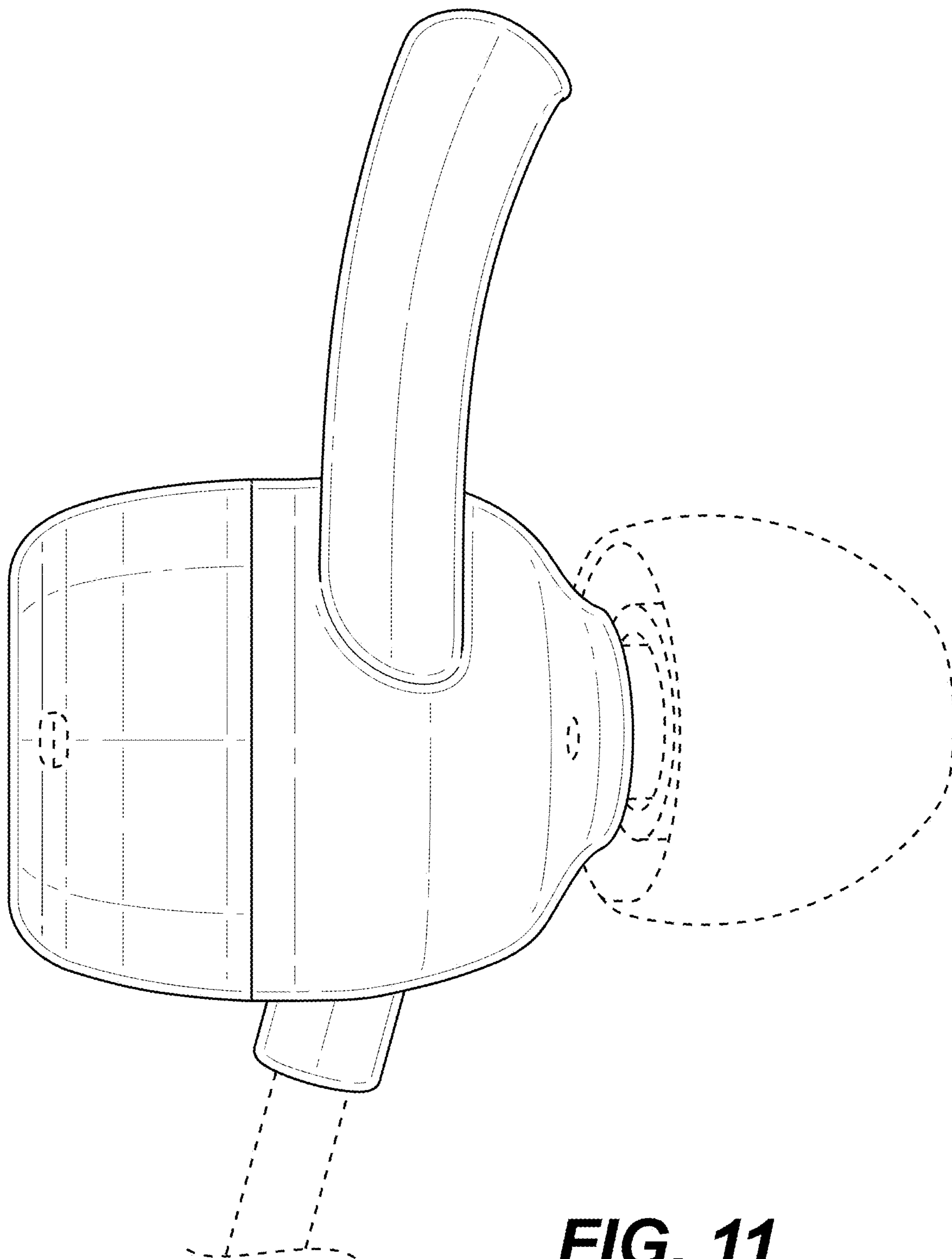


FIG. 11

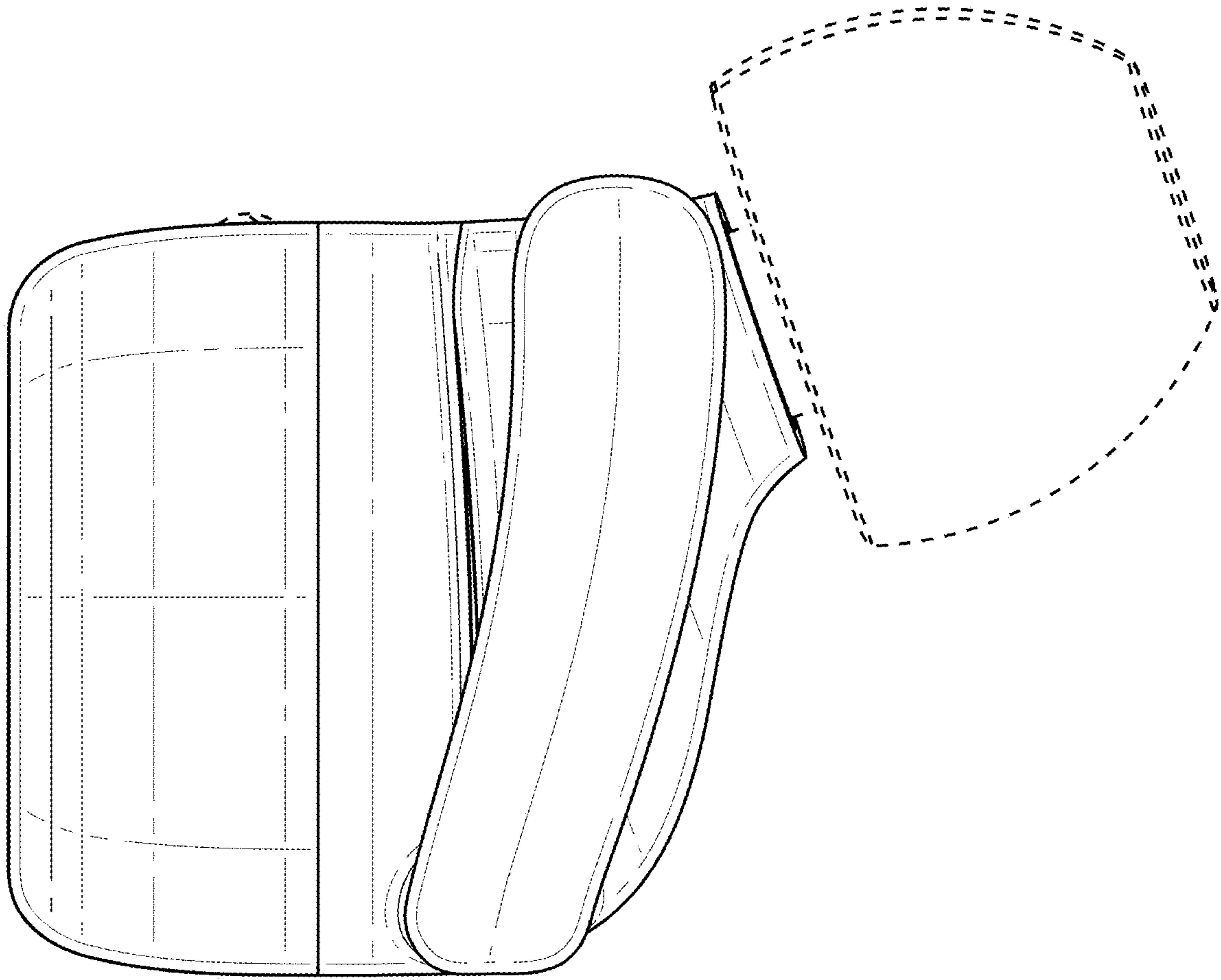


FIG. 12