



US00D930618S

(12) **United States Design Patent** (10) **Patent No.:** **US D930,618 S**  
**Lindenberger** (45) **Date of Patent:** **\*\* Sep. 14, 2021**

(54) **HEADPHONE**

- (71) Applicant: **Harman International Industries, Incorporated**, Northridge, CA (US)
- (72) Inventor: **Laurent Lindenberger**, Shenzhen (CN)
- (73) Assignee: **Harman International Industries, Incorporated**, Northridge, CA (US)
- (\*\*) Term: **15 Years**
- (21) Appl. No.: **29/719,154**
- (22) Filed: **Dec. 31, 2019**
- (51) **LOC (13) Cl.** ..... **14-01**
- (52) **U.S. Cl.**  
USPC ..... **D14/223**
- (58) **Field of Classification Search**  
USPC ... D14/205, 207, 217, 221, 223, 224, 224.1, D14/225, 216; D24/173, 174  
CPC ..... H04R 1/10; H04R 1/1016; H04R 1/1066; H04R 1/105; H04R 1/1033; H04R 1/08; H04R 5/033; H04R 5/0335; H04R 25/00  
See application file for complete search history.

(56) **References Cited**

**U.S. PATENT DOCUMENTS**

D618,218 S	6/2010	Burgett et al.
D618,219 S	6/2010	Burgett et al.
D673,530 S	1/2013	Feng et al.
D678,856 S	3/2013	Feng et al.
D678,857 S	3/2013	Feng et al.
D678,858 S	3/2013	Feng et al.
D678,868 S	3/2013	Feng et al.
D695,718 S	12/2013	Burgett et al.
D695,719 S	12/2013	Burgett et al.
D696,230 S	12/2013	Burgett et al.
D699,213 S	2/2014	Burgett et al.

(Continued)

**FOREIGN PATENT DOCUMENTS**

CN	306336128	*	2/2021
CN	306363380	*	3/2021

(Continued)

**OTHER PUBLICATIONS**

AKG N200WIRELESS, announced 2018 [online], retrieved May 5, 2021, retrieved from internet, [https://www.akg.com/Headphones/Wireless%20Headphones/AKG+N200WIRELESS.html?dwvar\\_AKG%20N200WIRELESS\\_color=Green-GLOBAL-Current&cgid=Wireless%20Headphones#start=1](https://www.akg.com/Headphones/Wireless%20Headphones/AKG+N200WIRELESS.html?dwvar_AKG%20N200WIRELESS_color=Green-GLOBAL-Current&cgid=Wireless%20Headphones#start=1).\*

(Continued)

*Primary Examiner* — Dana K Weiland

*Assistant Examiner* — Messina L Smith

(74) *Attorney, Agent, or Firm* — Plumsea Law Group, LLC

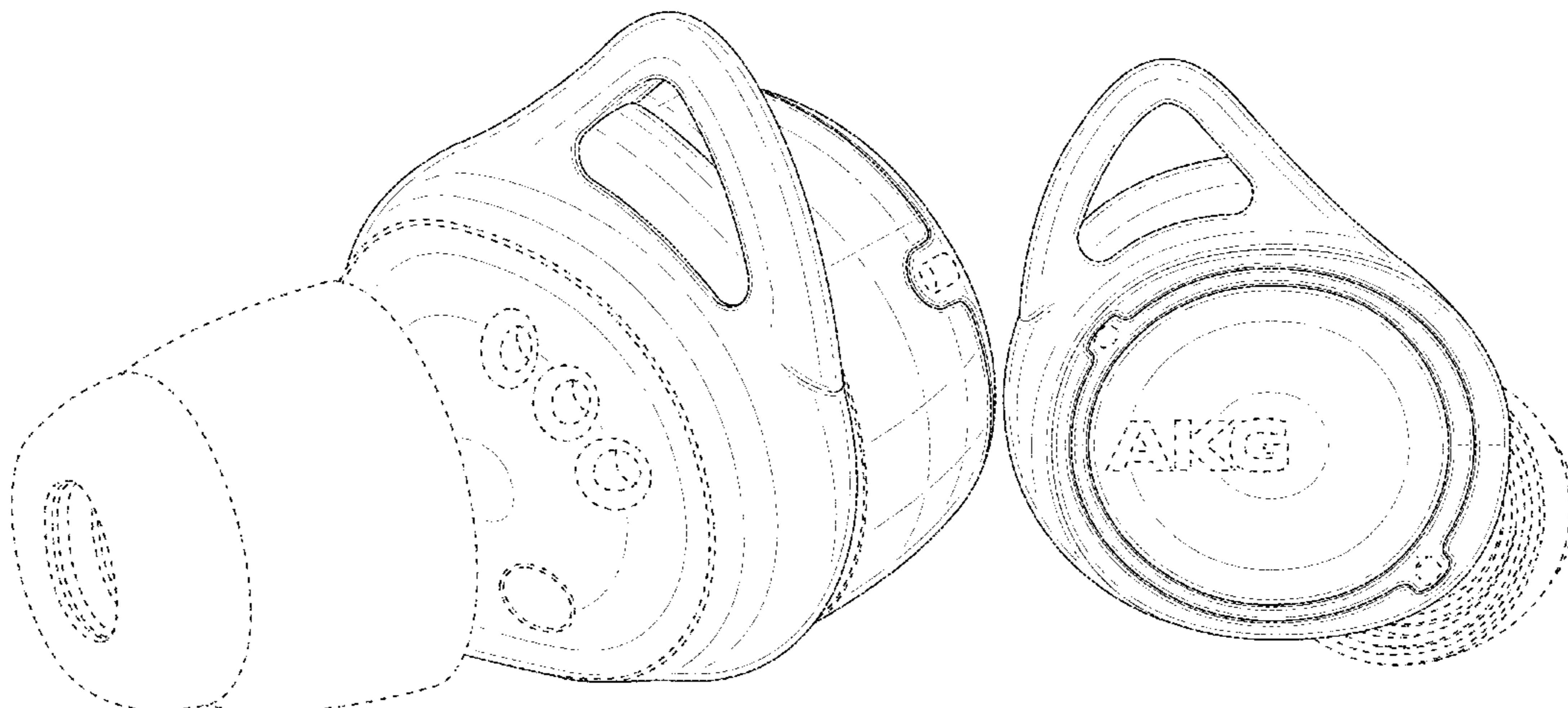
(57) **CLAIM**

The ornamental design for a headphone, as shown and described.

**DESCRIPTION**

FIG. 1 is a perspective view of a headphone showing the new design;  
 FIG. 2 is a front elevational view thereof;  
 FIG. 3 is a rear elevational view thereof;  
 FIG. 4 is a side elevational view thereof;  
 FIG. 5 is an opposite side elevational view thereof;  
 FIG. 6 is a top view thereof;  
 FIG. 7 is a bottom view thereof;  
 FIG. 8 is a perspective view of another embodiment of the headphone, illustrating a mirror image of the headphone of FIGS. 1-7;  
 FIG. 9 is a front elevational view thereof;  
 FIG. 10 is a rear elevational view thereof;  
 FIG. 11 is a side elevational view thereof;  
 FIG. 12 is an opposite side elevational view thereof;  
 FIG. 13 is a top view thereof; and,  
 FIG. 14 is a bottom view thereof.  
 The broken lines in the figures illustrate portions of the headphone that form no part of the claimed design.

**1 Claim, 14 Drawing Sheets**



(56)

References Cited

U.S. PATENT DOCUMENTS

D700,905 S 3/2014 Pavitsich  
 D710,326 S 8/2014 Burgett et al.  
 D711,857 S 8/2014 Burgett et al.  
 D713,385 S 9/2014 Burgett et al.  
 D716,771 S 11/2014 Burgett et al.  
 D725,081 S 3/2015 Burgett et al.  
 D725,634 S 3/2015 Burgett et al.  
 D725,635 S 3/2015 Burgett et al.  
 D746,268 S 12/2015 Karayiannis et al.  
 D764,445 S 8/2016 Czaniecki  
 D769,220 S 10/2016 Burgett et al.  
 D770,426 S 11/2016 LaBerge et al.  
 D771,011 S 11/2016 Ott et al.  
 D772,844 S 11/2016 Ott et al.  
 D773,435 S 12/2016 Ott et al.  
 D773,438 S 12/2016 Walker et al.  
 D773,439 S 12/2016 Walker  
 D796,485 S 9/2017 Sia et al.  
 D800,703 S 10/2017 Vaclavik  
 D803,816 S 11/2017 Bolster  
 D806,059 S 12/2017 Ott et al.  
 D806,685 S 1/2018 Park  
 D806,686 S 1/2018 Ott et al.  
 D810,724 S 2/2018 Czaniecki et al.  
 D817,309 S 5/2018 Czaniecki et al.  
 D821,362 S 6/2018 Vaclavik  
 D824,359 S 7/2018 Czaniecki  
 D824,875 S 8/2018 Czaniecki  
 D833,420 S 11/2018 Lindenberger  
 D845,932 S 4/2019 Lu  
 D853,351 S 7/2019 Ott et al.  
 D862,412 S 10/2019 Yook  
 D862,422 S 10/2019 Lindenberger  
 D863,261 S \* 10/2019 Zhu ..... D14/223  
 D864,919 S \* 10/2019 Bonahoom ..... D14/223  
 D868,729 S 12/2019 Czaniecki  
 D869,431 S 12/2019 Czaniecki  
 D870,708 S 12/2019 Lindenberger  
 D870,709 S 12/2019 Meyer  
 D870,711 S 12/2019 Karayiannis et al.  
 D871,374 S 12/2019 Karayiannis et al.  
 D871,375 S 12/2019 Meyer  
 D871,376 S \* 12/2019 Zhou ..... D14/223  
 D873,248 S \* 1/2020 Weicheng ..... D14/223  
 D875,071 S \* 2/2020 Wei ..... D14/205  
 D875,719 S \* 2/2020 Wen ..... D14/223  
 D883,262 S \* 5/2020 Wu ..... D14/223  
 D892,085 S \* 8/2020 Kim ..... D14/223  
 D896,205 S \* 9/2020 Zhang ..... D14/223  
 D902,890 S \* 11/2020 Williamson ..... D14/223  
 D904,349 S \* 12/2020 Saxton ..... D14/223  
 D906,298 S \* 12/2020 Wang ..... D14/223  
 D909,346 S \* 2/2021 Wang ..... D14/223  
 D909,998 S \* 2/2021 Du ..... D14/223  
 D914,650 S \* 3/2021 Hu ..... D14/223  
 D916,054 S \* 4/2021 Sretovic ..... D14/223

D917,426 S \* 4/2021 Yang ..... D14/223  
 2018/0132031 A1 \* 5/2018 Seo ..... H04R 1/1041  
 2019/0014403 A1 \* 1/2019 Lee ..... H04R 1/1016

FOREIGN PATENT DOCUMENTS

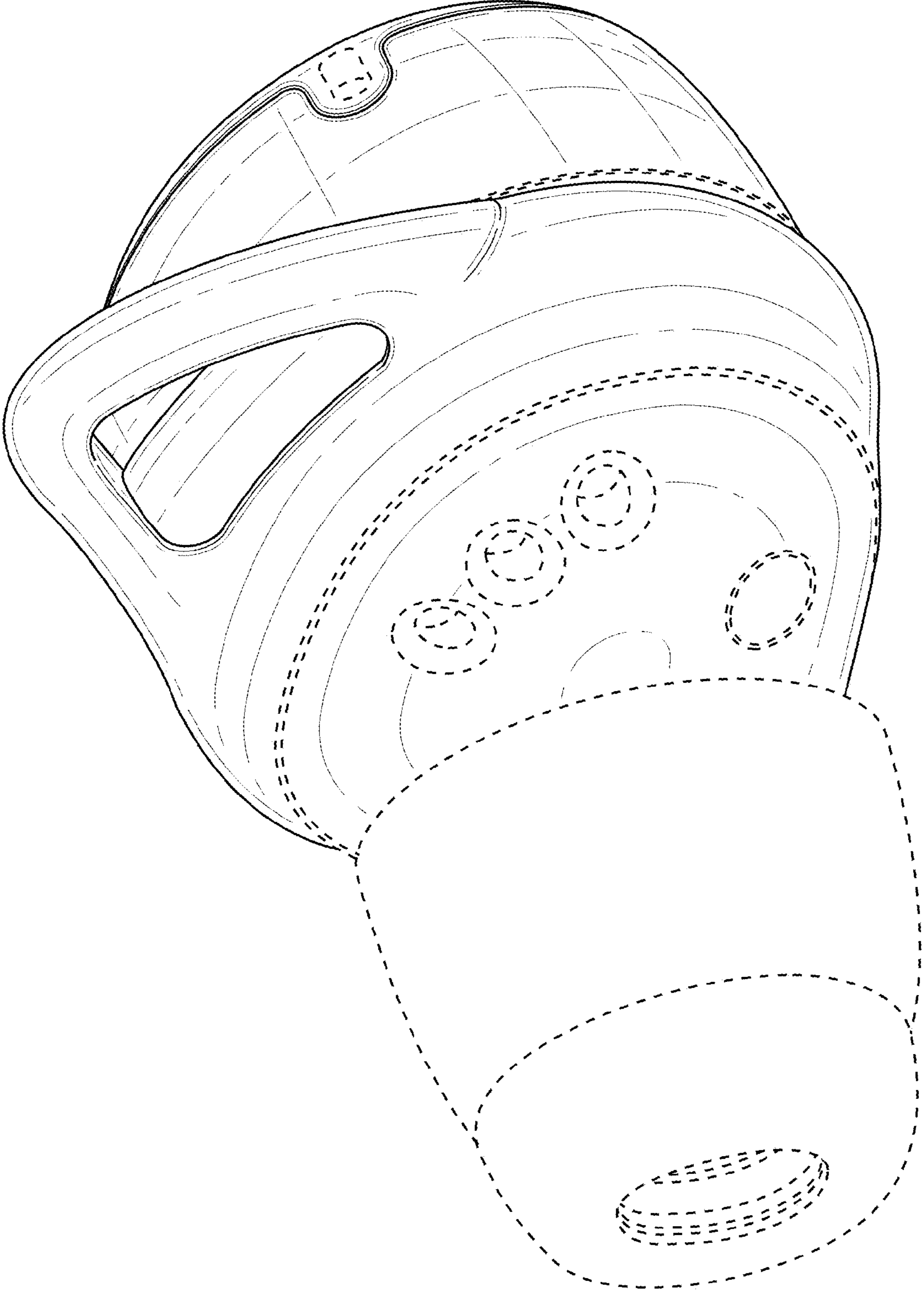
CN 306412463 \* 3/2021  
 CN 306431915 \* 4/2021  
 CN 306441641 \* 4/2021

OTHER PUBLICATIONS

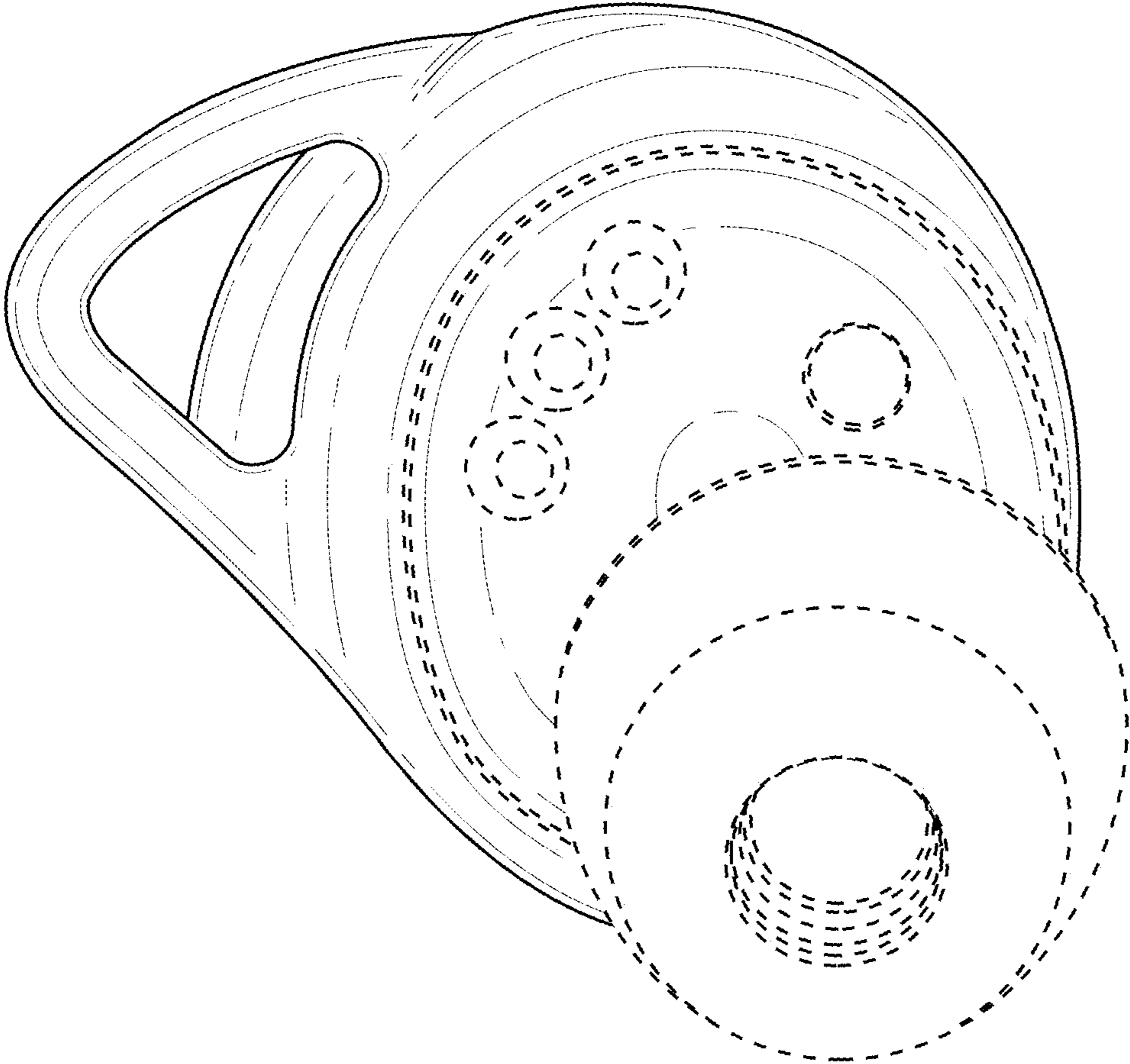
Samsung AKG N400 TWS earbuds could outshine the Galaxy Buds+, announced Mar. 31, 2020 [online], retrieved May 5, 2021, retrieved from internet, <https://www.slashgear.com/samsung-akg-n400-tws-earbuds-could-outshine-the-galaxy-buds-31614930/>.  
 AKG N400 True Wireless Bluetooth Earphones, announced May 9, 2020 [online], retrieved May 5, 2021, retrieved from internet, <https://www.amazon.com/AGK-Wireless-Bluetooth-Earphones-Silver/dp/B088CZR6TY>.  
 AKG N200 Wireless Bluetooth Earbuds, announced Oct. 25, 2018 [online], retrieved May 5, 2021, retrieved from internet, <https://www.amazon.com/AGK-N200-Wireless-Bluetooth-Earbuds/dp/B07HFQJKYV>.  
 Samsung SmartThings app leaks 2 new AKG headphones and new wireless earbuds, announced Jul. 8, 2019 [online], retrieved May 5, 2021, retrieved from internet, <https://www.xda-developers.com/smartthings-app-leaks-2-new-akg-headphones-wireless-earbuds/>.  
 The Best Cheap Wireless Earbuds for Runners, announced Mar. 9, 2021 [online], retrieved May 5, 2021, retrieved from internet, <https://www.runnersworld.com/gear/a28870759/cheap-wireless-headphones/>.  
 Truly Wireless Headphones, announced © 2021 [online], retrieved May 5, 2021, retrieved from internet, [https://www.licotronic.com/1more-stylish-e1026bt-i-truly-wireless/cat-p/c36176/p1000404413/1\\_en](https://www.licotronic.com/1more-stylish-e1026bt-i-truly-wireless/cat-p/c36176/p1000404413/1_en).  
 Design U.S. Appl. No. 29/631,197, filed Dec. 28, 2017.  
 Design U.S. Appl. No. 29/631,265, filed Dec. 28, 2017.  
 Design U.S. Appl. No. 29/661,340, filed Aug. 27, 2018.  
 Design U.S. Appl. No. 29/661,384, filed Aug. 27, 2018.  
 Design U.S. Appl. No. 29/661,456, filed Aug. 28, 2018.  
 Design U.S. Appl. No. 29/675,151, filed Dec. 28, 2018.  
 Design U.S. Appl. No. 29/675,537, filed Jan. 3, 2019.  
 Design U.S. Appl. No. 29/688,619, filed Apr. 23, 2019.  
 Design U.S. Appl. No. 29/695,334, filed Jun. 18, 2019.  
 Design U.S. Appl. No. 29/711,484, filed Oct. 31, 2019.  
 Design U.S. Appl. No. 29/717,872, filed Dec. 19, 2019.  
 Design U.S. Appl. No. 29/719,091, filed Dec. 31, 2019.  
 Design U.S. Appl. No. 29/720,428, filed Jan. 13, 2020.  
 Design U.S. Appl. No. 29/734,436, filed May 12, 2020.  
 Design U.S. Appl. No. 29/719,159, filed Dec. 31, 2019.  
 Design U.S. Appl. No. 29/719,185, filed Jan. 1, 2020.  
 Design U.S. Appl. No. 29/719,410, filed Jan. 3, 2020.  
 Design U.S. Appl. No. 29/719,419, filed Jan. 3, 2020.

\* cited by examiner

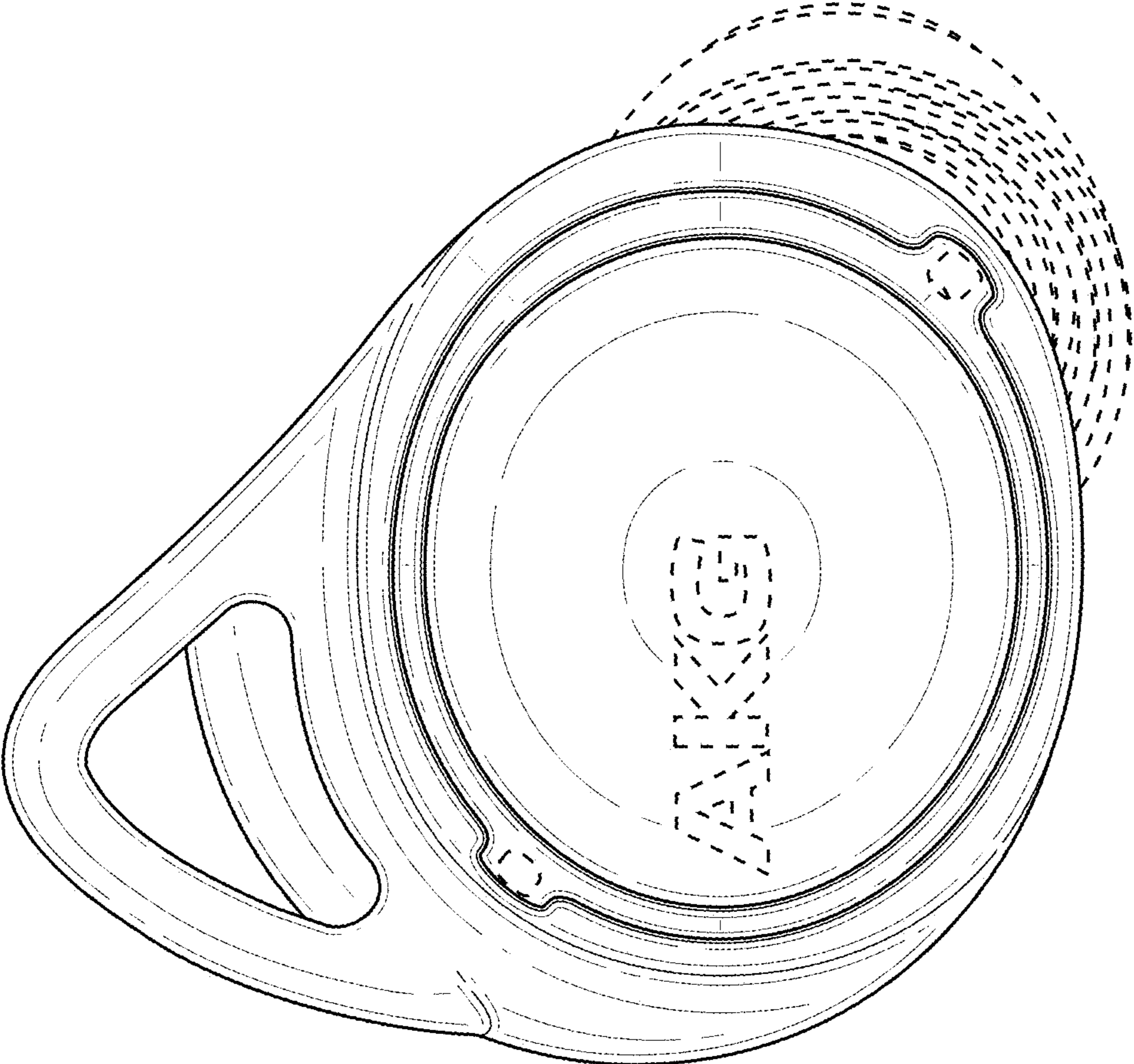




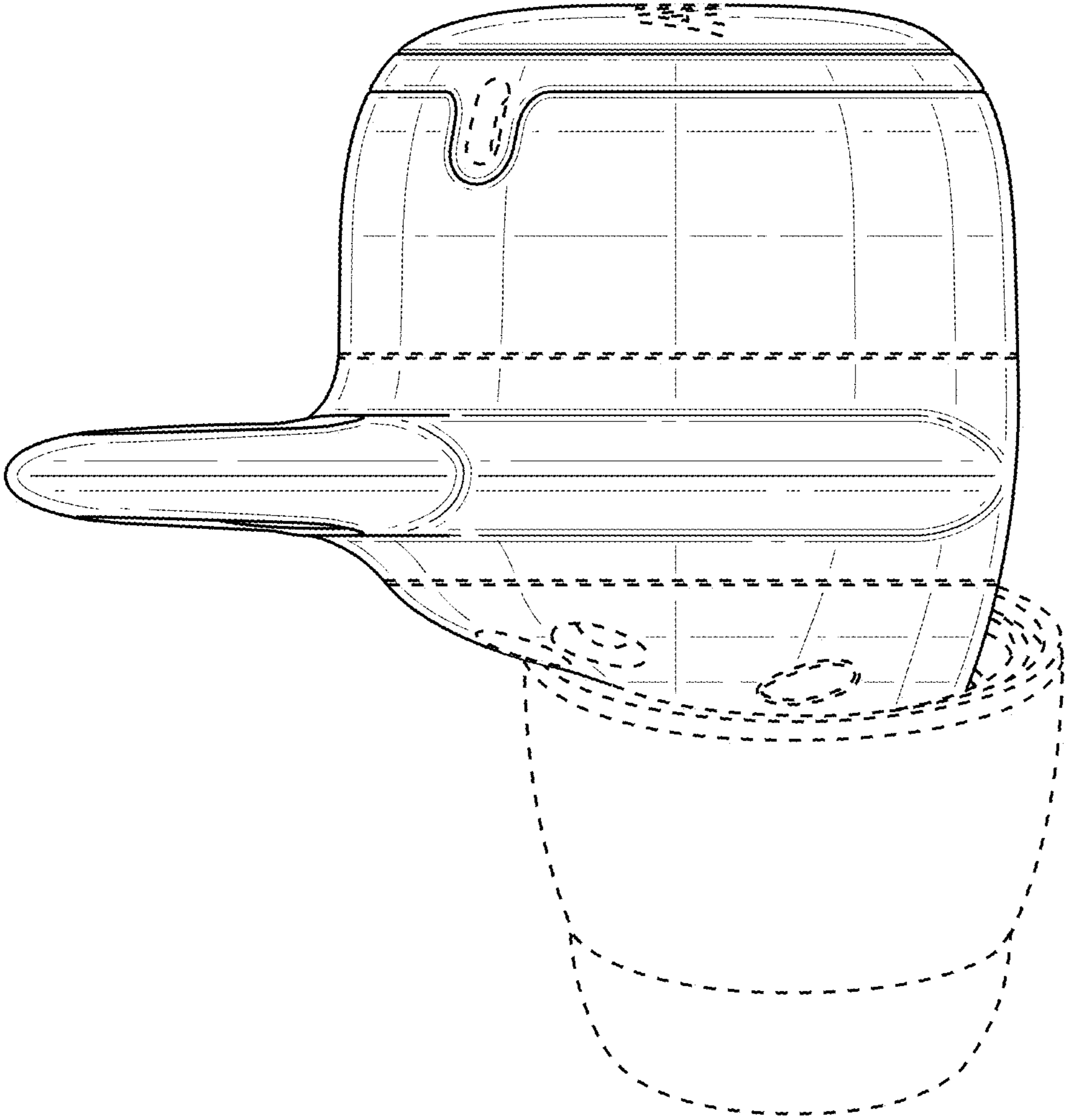
**FIG. 1**



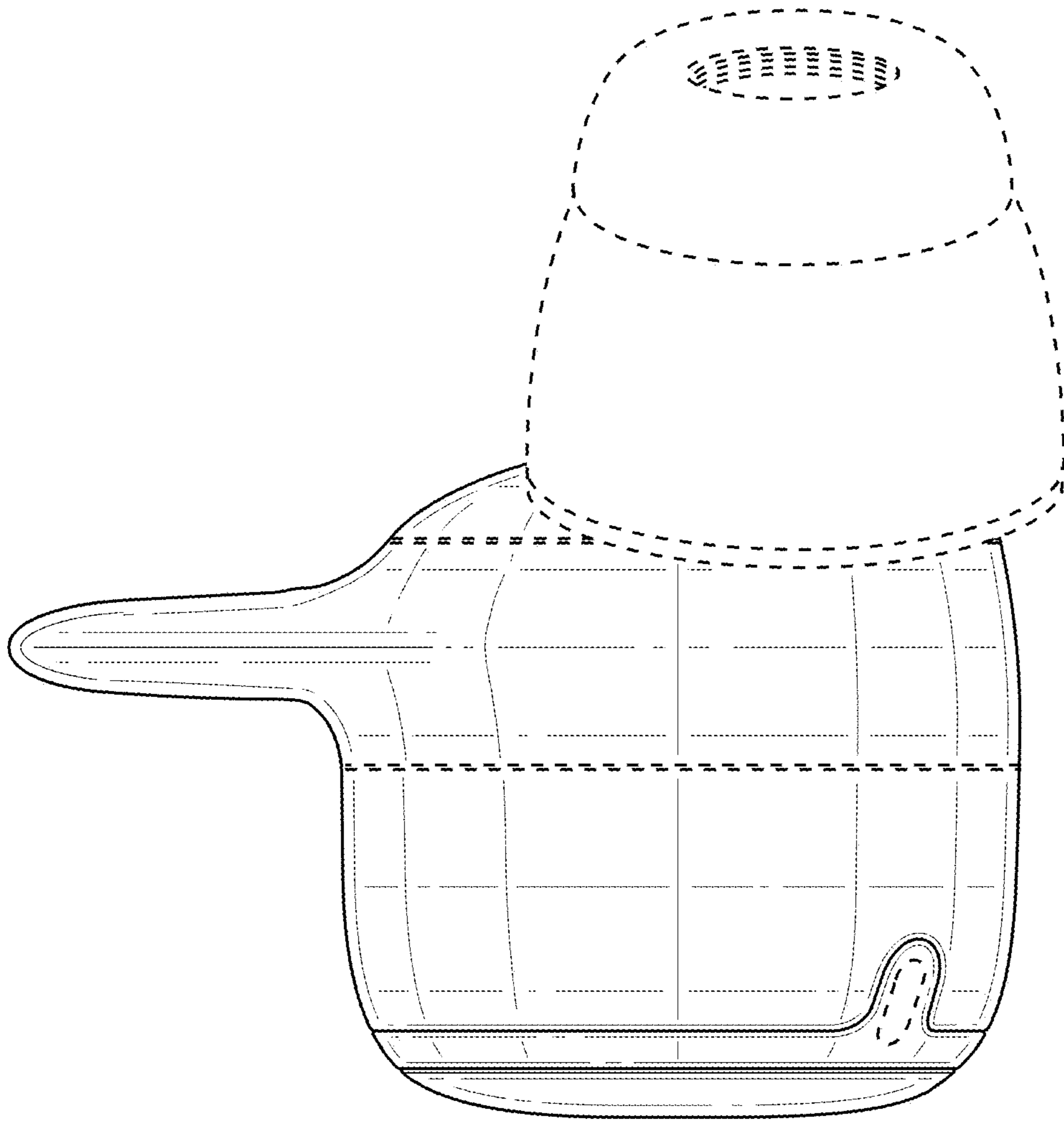
**FIG. 2**



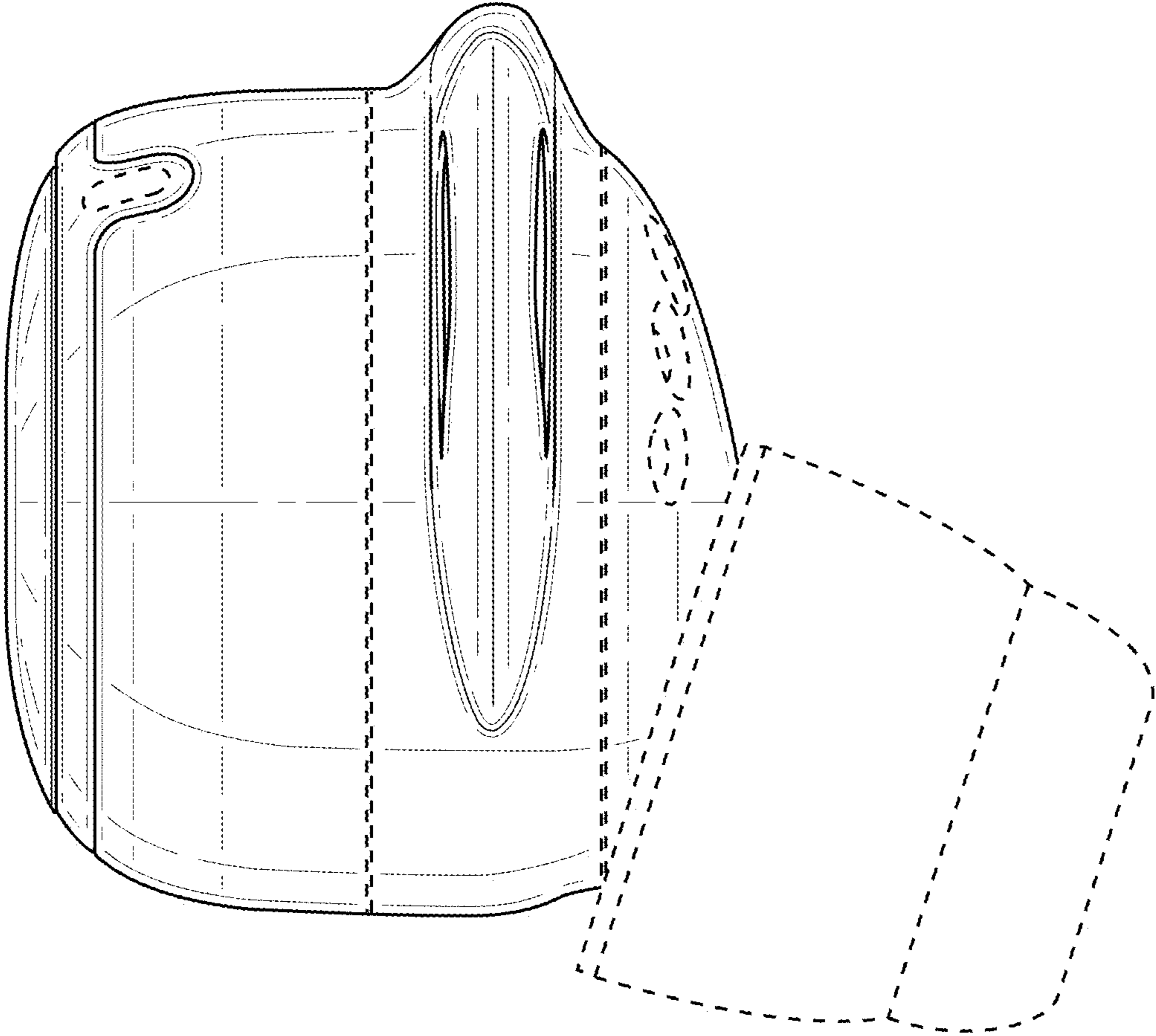
**FIG. 3**



**FIG. 4**

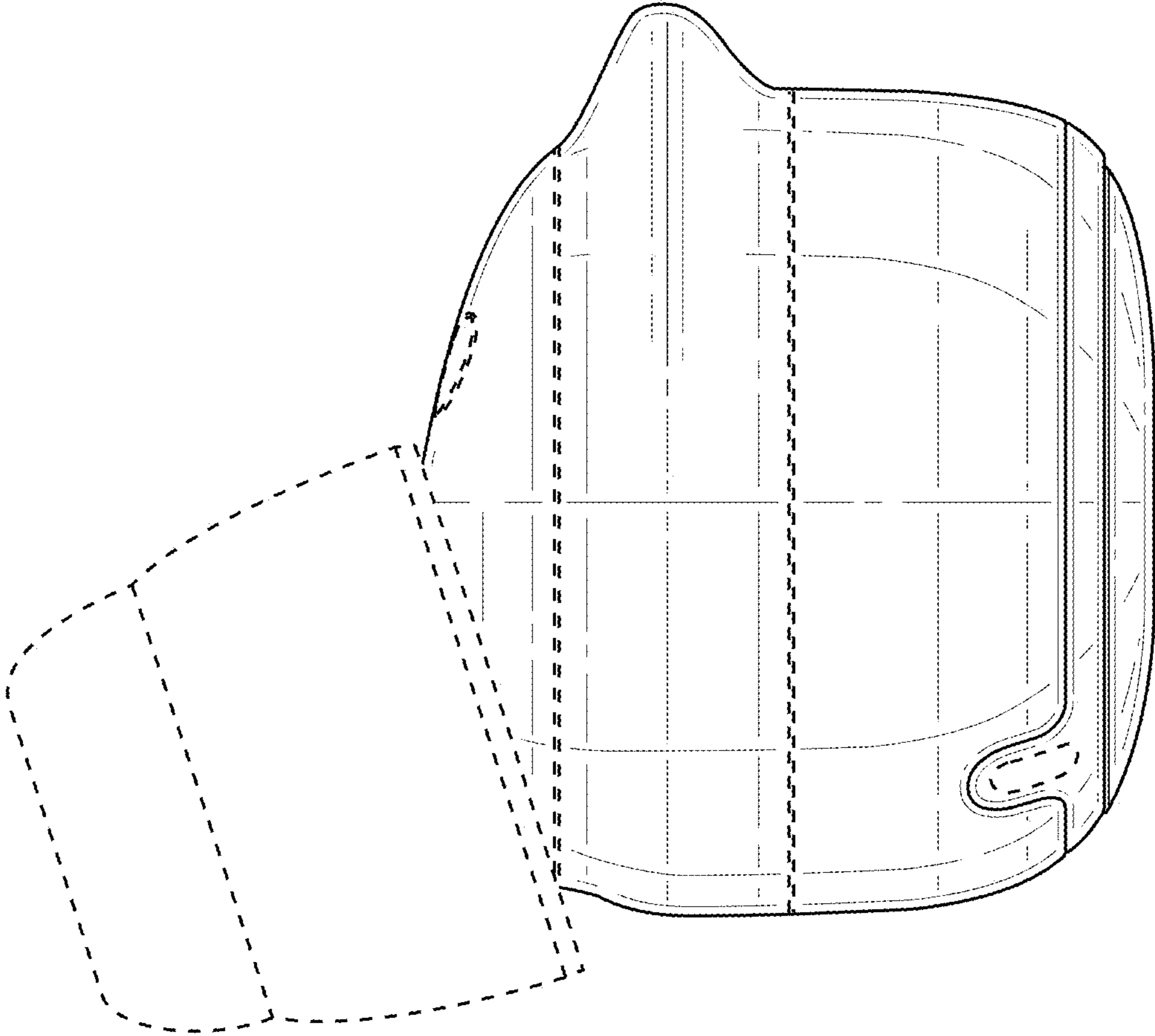


**FIG. 5**

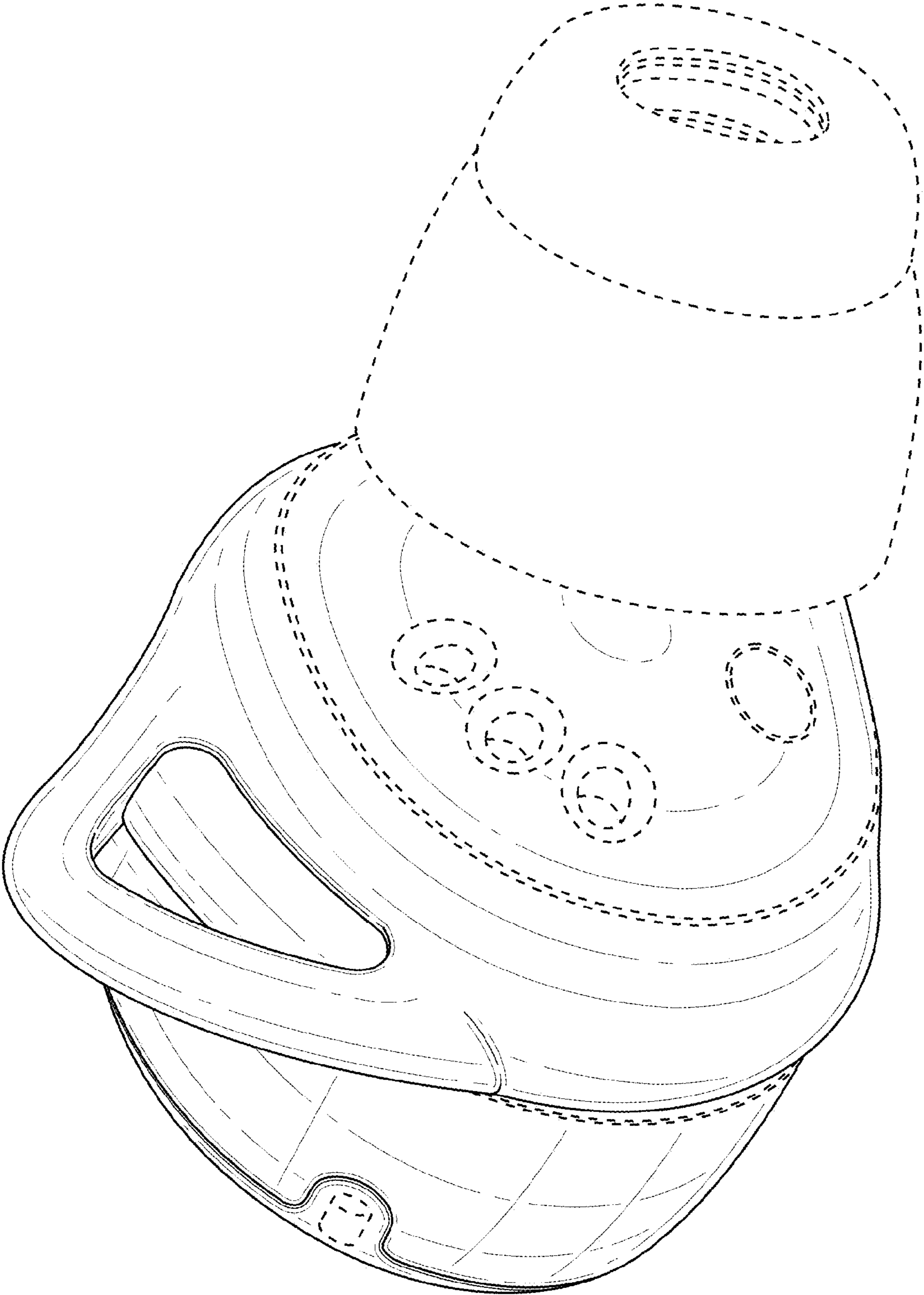


**FIG. 6**

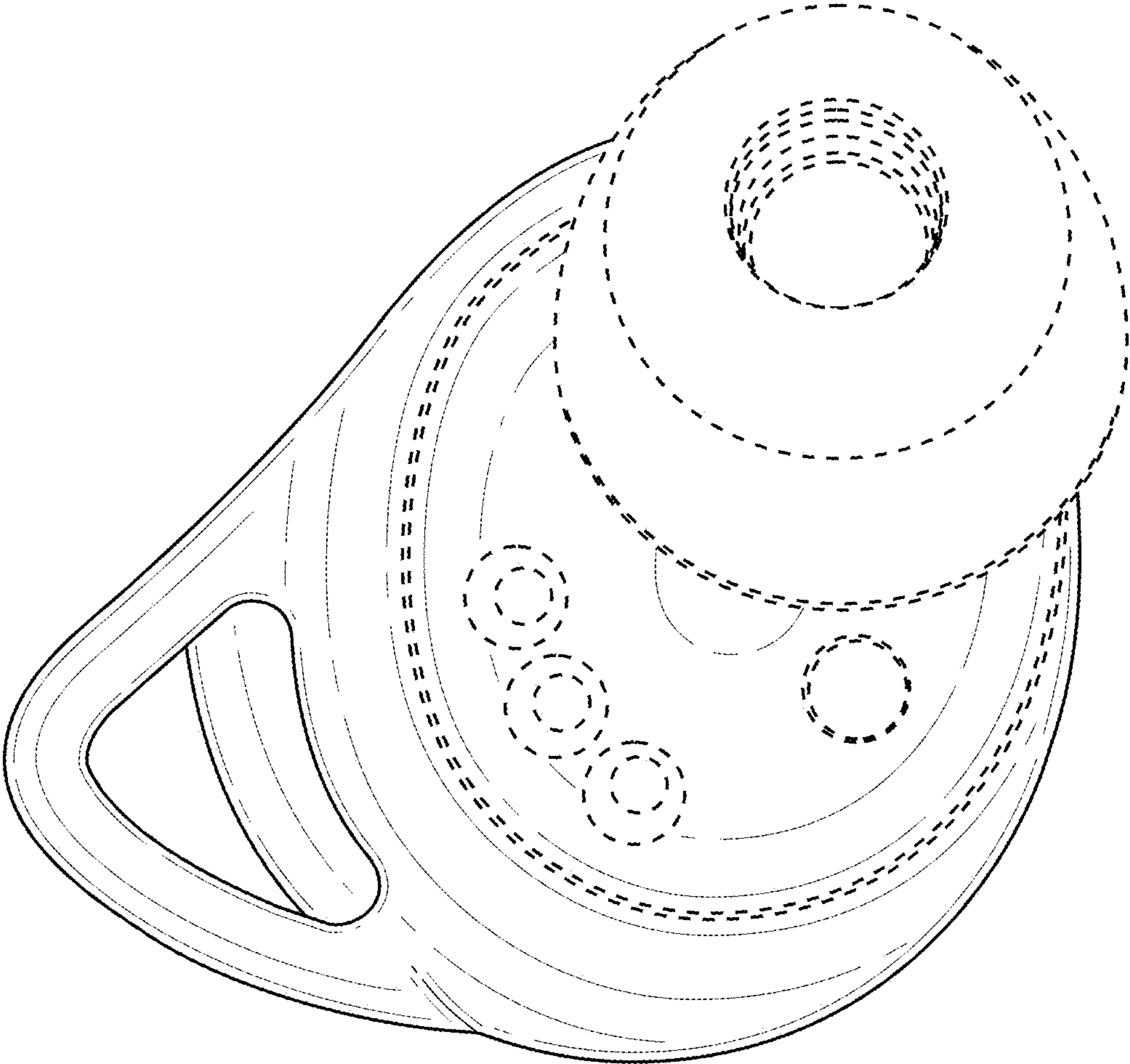




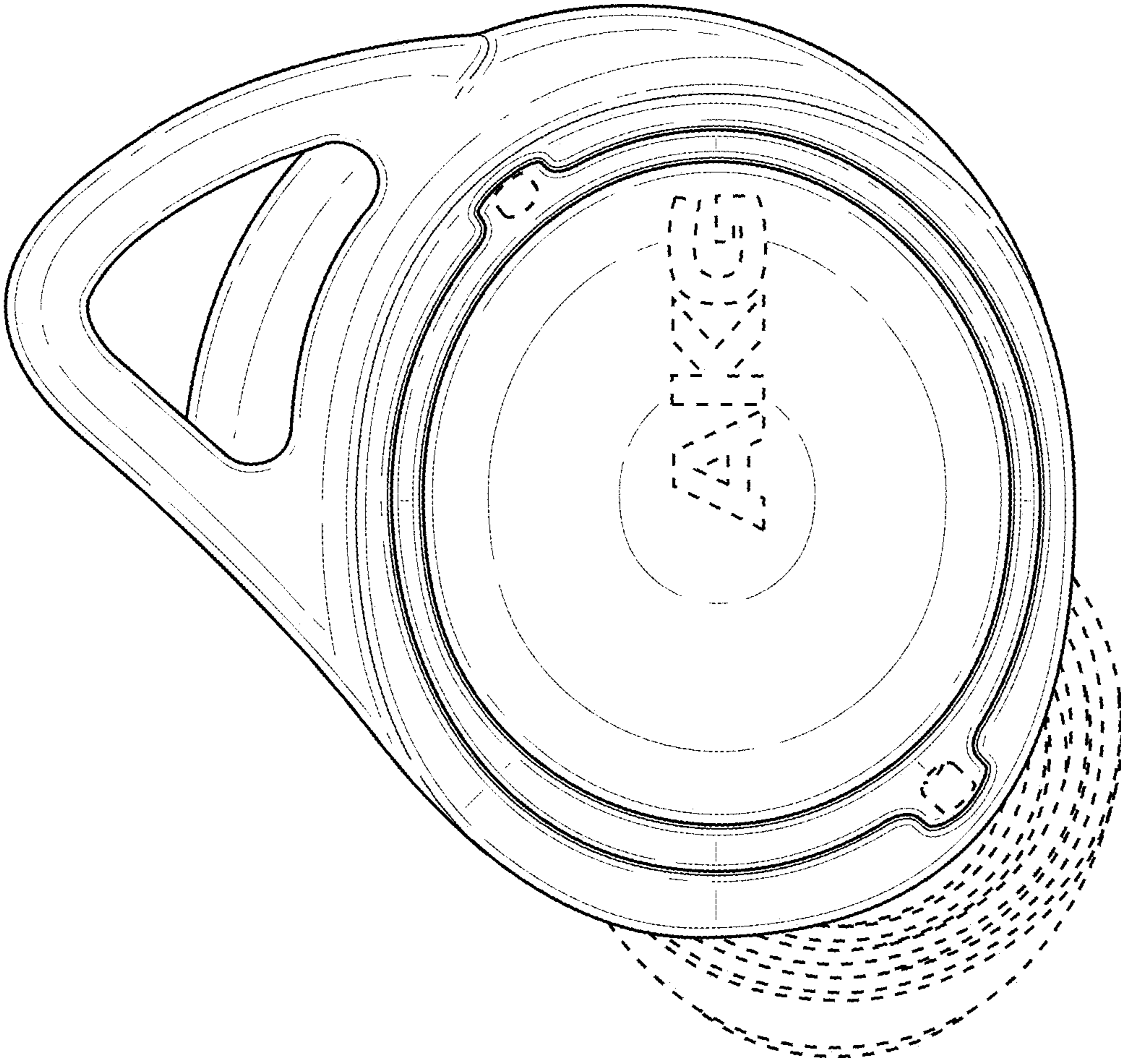
**FIG. 7**



**FIG. 8**

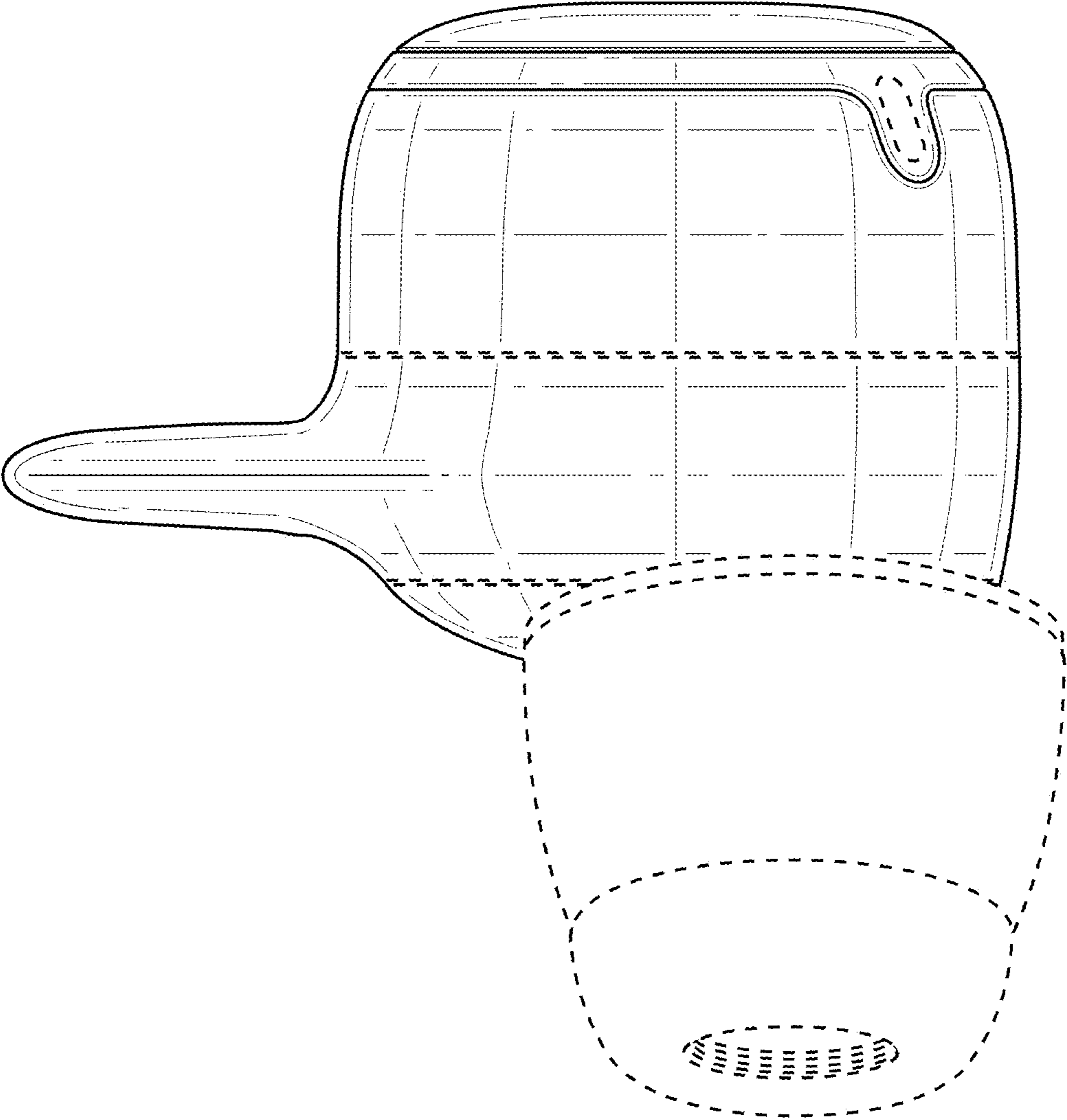


**FIG. 9**

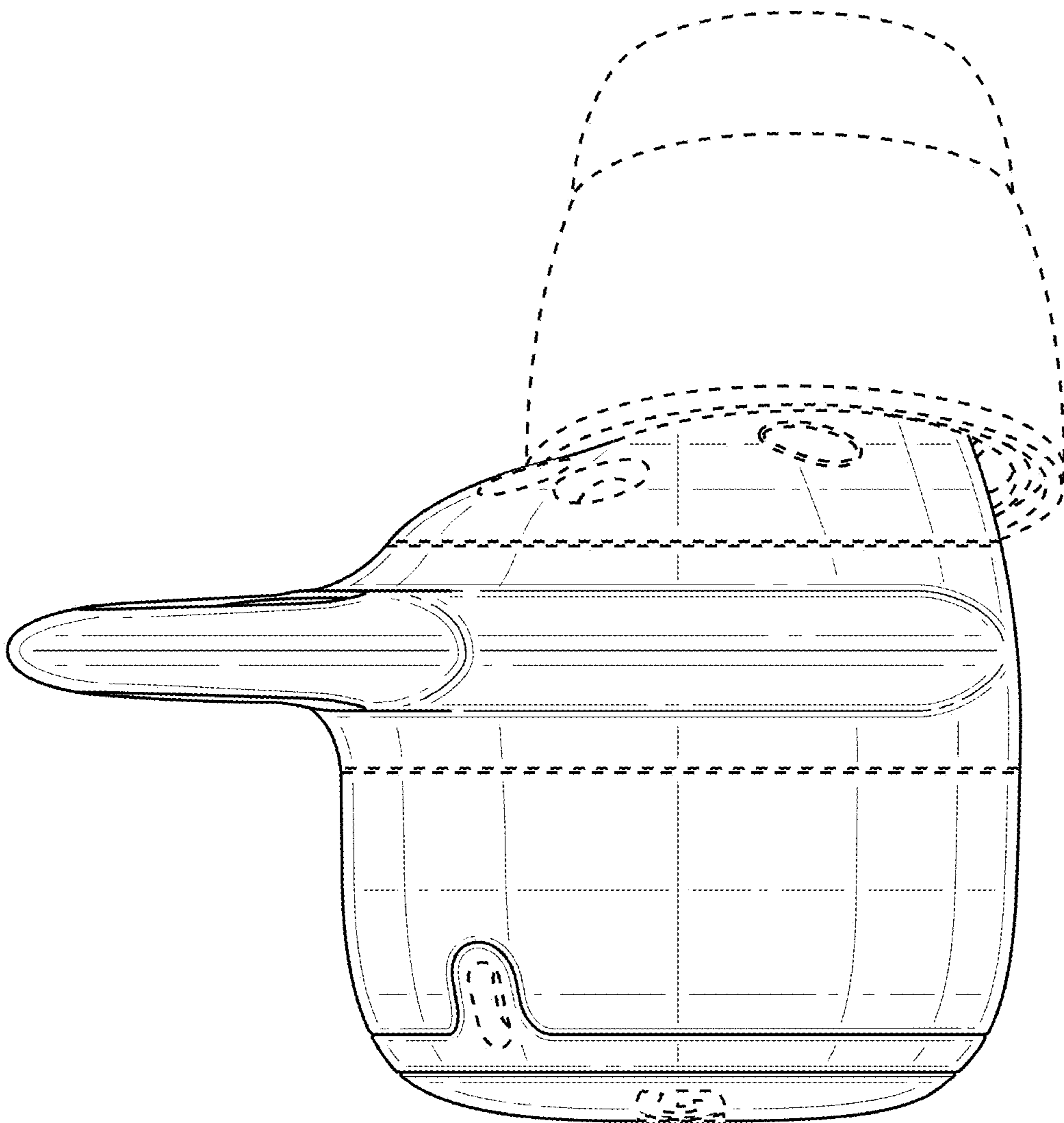


**FIG. 10**

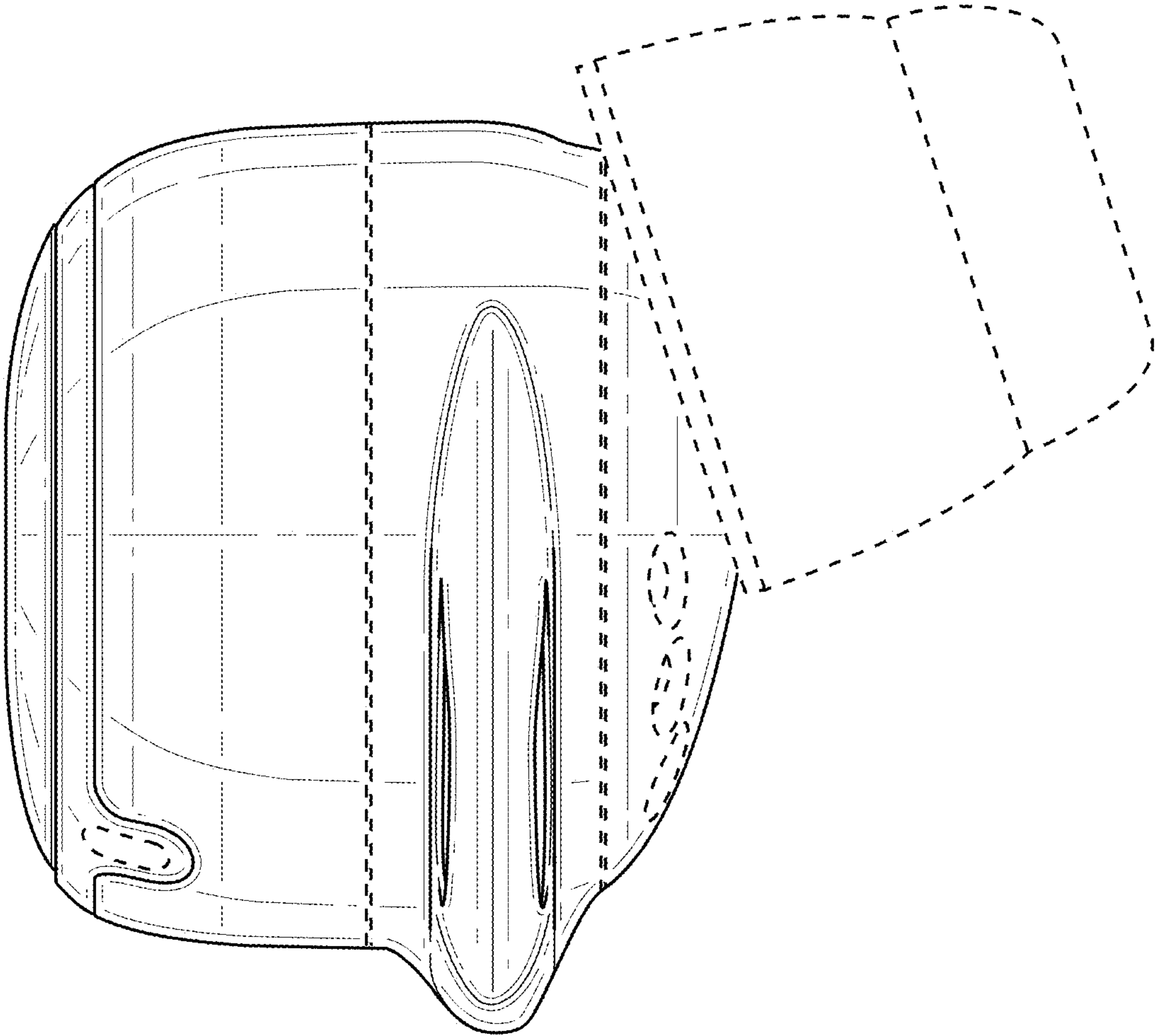




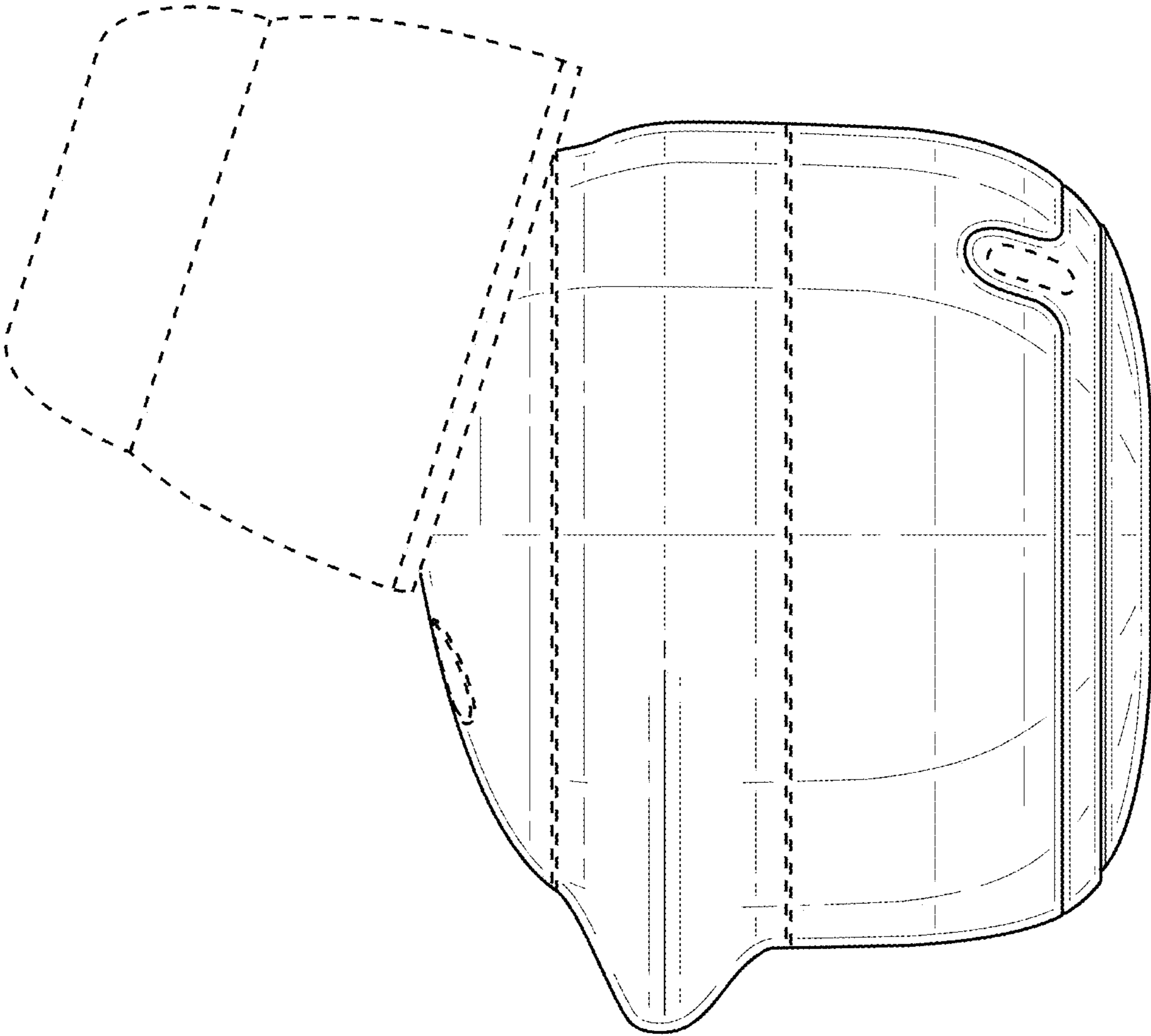
**FIG. 11**



**FIG. 12**



**FIG. 13**



**FIG. 14**