



US00D930617S

(12) **United States Design Patent** (10) **Patent No.:** **US D930,617 S**  
**Tanaka** (45) **Date of Patent:** **\*\* Sep. 14, 2021**

- (54) **EARPHONE**
- (71) Applicant: **SONY CORPORATION**, Tokyo (JP)
- (72) Inventor: **Soichi Tanaka**, Kanagawa (JP)
- (73) Assignee: **SONY CORPORATION**, Tokyo (JP)
- (\*\*) Term: **15 Years**
- (21) Appl. No.: **29/709,808**
- (22) Filed: **Oct. 17, 2019**

- D813,205 S \* 3/2018 Palmborg ..... D14/223
  - D813,848 S \* 3/2018 Palmborg ..... D14/223
  - D843,354 S 3/2019 Kumano
  - D868,752 S \* 12/2019 Zhu ..... D14/223
  - D873,248 S \* 1/2020 Weicheng ..... D14/223
- (Continued)

**FOREIGN PATENT DOCUMENTS**

- CN 305843163 \* 6/2020
  - CN 306267670 \* 1/2021
- (Continued)

**OTHER PUBLICATIONS**

Sony WF-XB700 Truly Wireless Bluetooth Headphones with Extra Bass, retrieved Sep. 13, 2020 [online], retrieved May 4, 2021, retrieved from internet, <https://www.sony-asia.com/electronics/truly-wireless/wf-xb700/reviews-ratings>.\*

(Continued)

**Related U.S. Application Data**

- (63) Continuation of application No. 29/703,986, filed on Aug. 30, 2019.

**Foreign Application Priority Data**

- Jul. 25, 2019 (CN) ..... 201930399029.5
- Aug. 16, 2019 (JP) ..... 2019-018117

- (51) **LOC (13) Cl.** ..... **14-01**
- (52) **U.S. Cl.**

USPC ..... **D14/223**

**Field of Classification Search**

USPC ... D14/205, 207, 217, 221, 223, 224, 224.1, D14/225, 216; D24/173, 174

CPC ..... H04R 1/10; H04R 1/1016; H04R 1/1066; H04R 1/105; H04R 1/1033; H04R 1/08; H04R 5/033; H04R 5/0335; H04R 25/00

See application file for complete search history.

**References Cited**

**U.S. PATENT DOCUMENTS**

- D587,248 S 2/2009 Densho
- D587,249 S 2/2009 Densho
- D685,351 S 7/2013 Morimoto
- D705,757 S 5/2014 Yashiro
- D773,439 S \* 12/2016 Walker ..... D14/223
- D801,950 S 11/2017 Otani et al.

*Primary Examiner* — Dana K Weiland  
*Assistant Examiner* — Messina L Smith  
 (74) *Attorney, Agent, or Firm* — Michael Best and Friedrich LLP

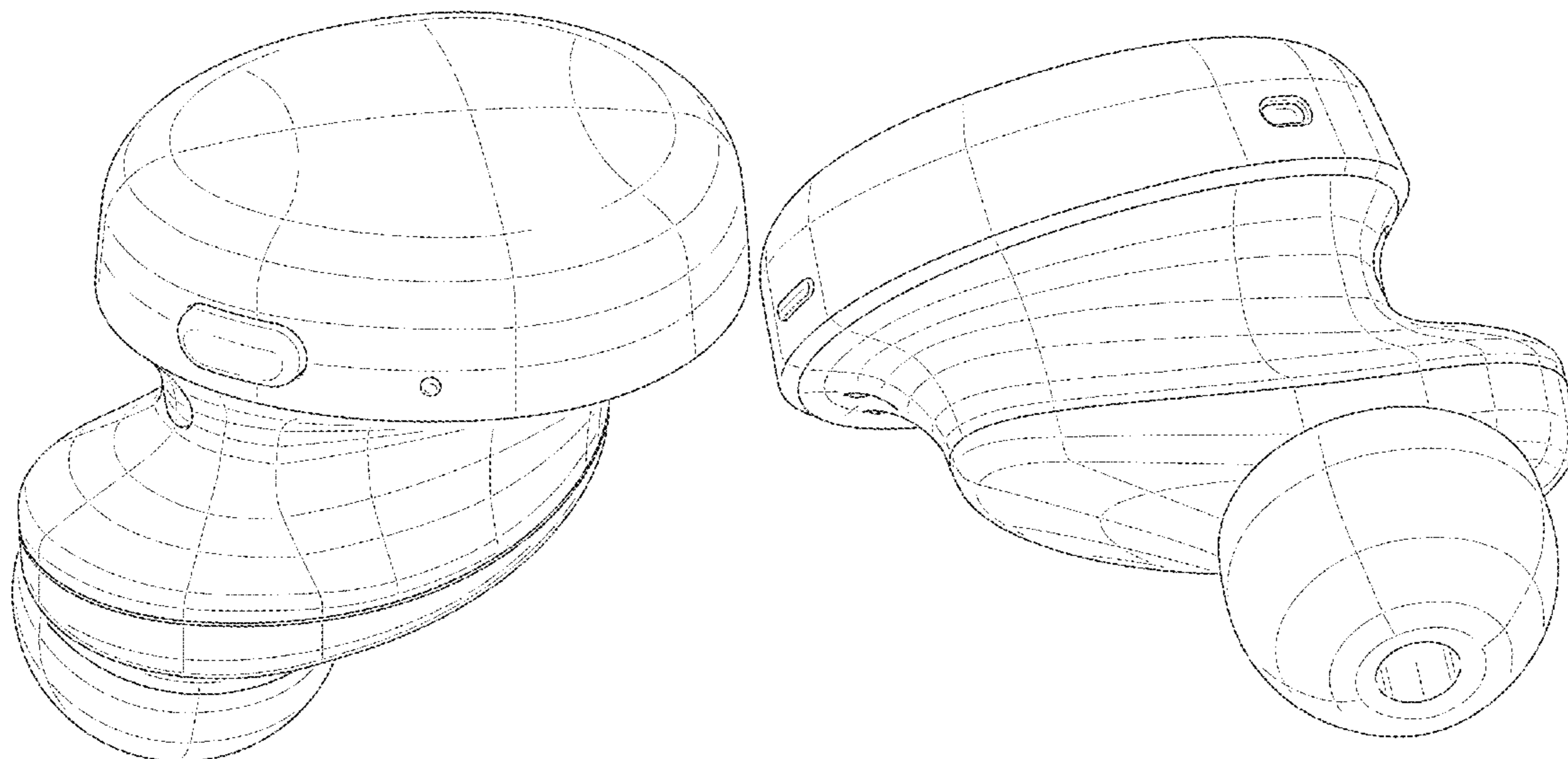
(57) **CLAIM**

The ornamental design for an earphone, as shown and described.

**DESCRIPTION**

FIG. 1 is a front, top, right perspective view of an earphone showing my new design;  
 FIG. 2 is a rear, bottom, left perspective view thereof;  
 FIG. 3 is a front elevational view thereof;  
 FIG. 4 is a rear elevational view thereof;  
 FIG. 5 is a left side elevational view thereof;  
 FIG. 6 is a right side elevational view thereof;  
 FIG. 7 is a top plan view thereof; and,  
 FIG. 8 is a bottom plan view thereof.

**1 Claim, 8 Drawing Sheets**



(56)

References Cited

U.S. PATENT DOCUMENTS

D880,457 S \* 4/2020 Zhu ..... D14/223  
 D887,395 S \* 6/2020 Wang ..... D14/223  
 D892,086 S \* 8/2020 Bonahoom ..... D14/223  
 D895,580 S \* 9/2020 Yu ..... D14/223  
 D896,205 S \* 9/2020 Zhang ..... D14/223  
 D897,319 S \* 9/2020 Wang ..... D14/223  
 D902,182 S \* 11/2020 Wang ..... D14/223  
 D903,638 S \* 12/2020 Li ..... D14/223  
 D904,350 S \* 12/2020 Zhou ..... D14/223  
 D905,664 S \* 12/2020 He ..... D14/223  
 D906,292 S \* 12/2020 Wang ..... D14/223  
 D908,667 S \* 1/2021 He ..... D14/223  
 D909,995 S \* 2/2021 Cai ..... D14/223  
 D909,998 S \* 2/2021 Du ..... D14/223  
 D915,358 S \* 4/2021 Ma ..... D14/223  
 D916,054 S \* 4/2021 Sretovic ..... D14/223  
 D917,425 S \* 4/2021 Wang ..... D14/223  
 2021/0044885 A1 \* 2/2021 Fukahori ..... G06F 3/044

FOREIGN PATENT DOCUMENTS

CN 306391080 \* 3/2021  
 JP D1672166 \* 10/2020

OTHER PUBLICATIONS

Sony WF-XB700 Truly Wireless Bluetooth Headphones with Extra Bass, retrieved Apr. 25, 2020 [online], retrieved May 4, 2021, retrieved from internet, <https://www.walmart.com/ip/Sony-WF-XB700-True-Wireless-Bluetooth-Headphones-with-EXTRA-BASS-WFXB700-L-Blue/356400431>.\*

Bose SoundSport Free Truly Wireless vs Sony WF-SP700N Truly Wireless, retrieved Mar. 29, 2021 [online], retrieved May 4, 2021, retrieved from internet, <https://www.rtings.com/headphones/tools/compare/bose-soundsport-free-truly-wireless-vs-sony-wf-sp700n-truly-wireless/560/659?usage=20&threshold=0.10>.\*

Skullcandy Sesh truly wireless earbuds review, retrieved Nov. 11, 2019 [online], retrieved May 4, 2021, retrieved from internet, [https://www.gsmarena.com/skullcandy\\_sesh\\_truly\\_wireless\\_earbuds\\_review-news-40032.php](https://www.gsmarena.com/skullcandy_sesh_truly_wireless_earbuds_review-news-40032.php).\*

Klipsch T5 II True Wireless review, retrieved Feb. 2021 [online], retrieved May 4, 2021, retrieved from internet, <https://www.laptopmag.com/reviews/Klipsch-t5-II>.\*

\* cited by examiner

*FIG. 1*

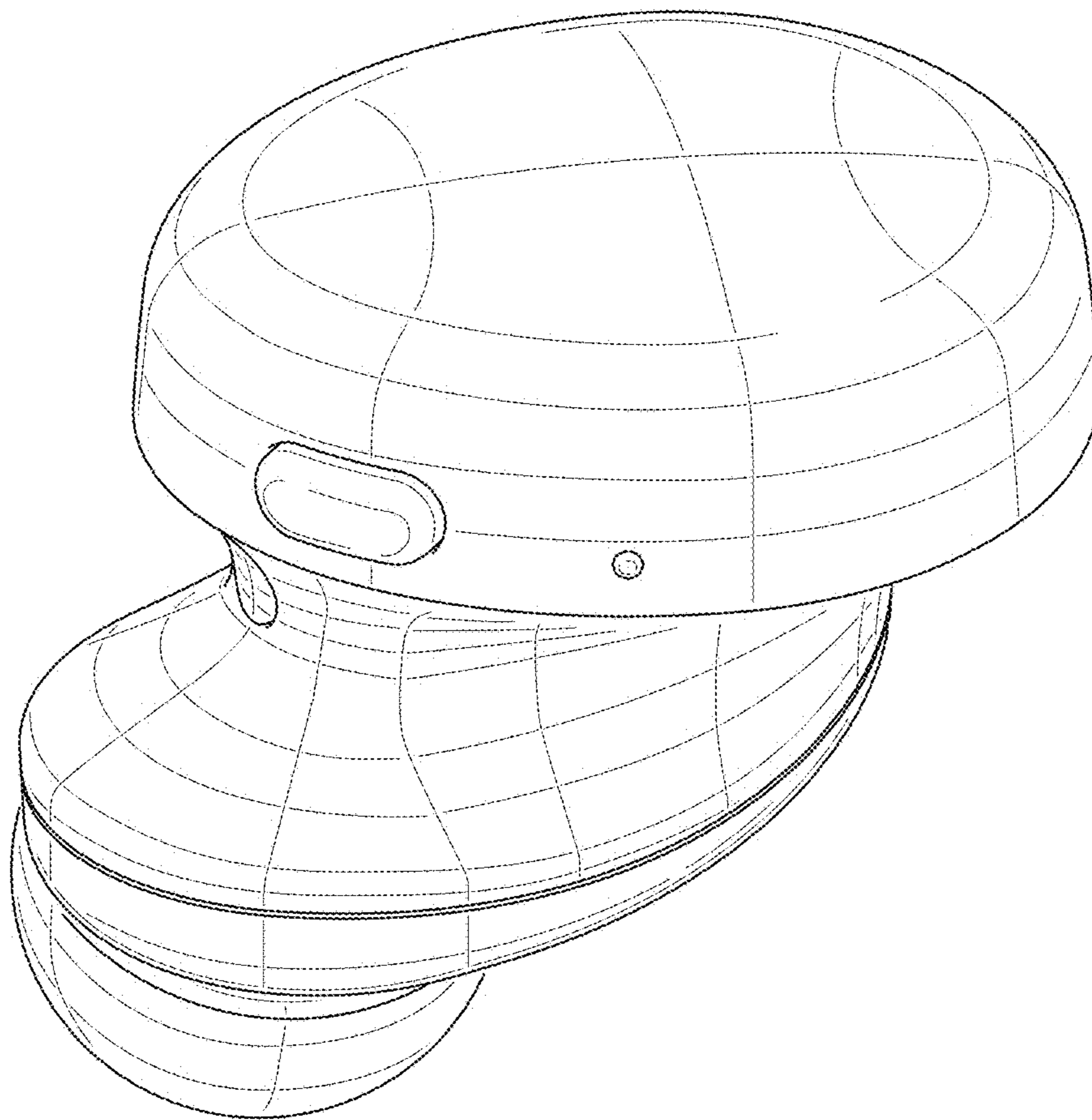


FIG. 2

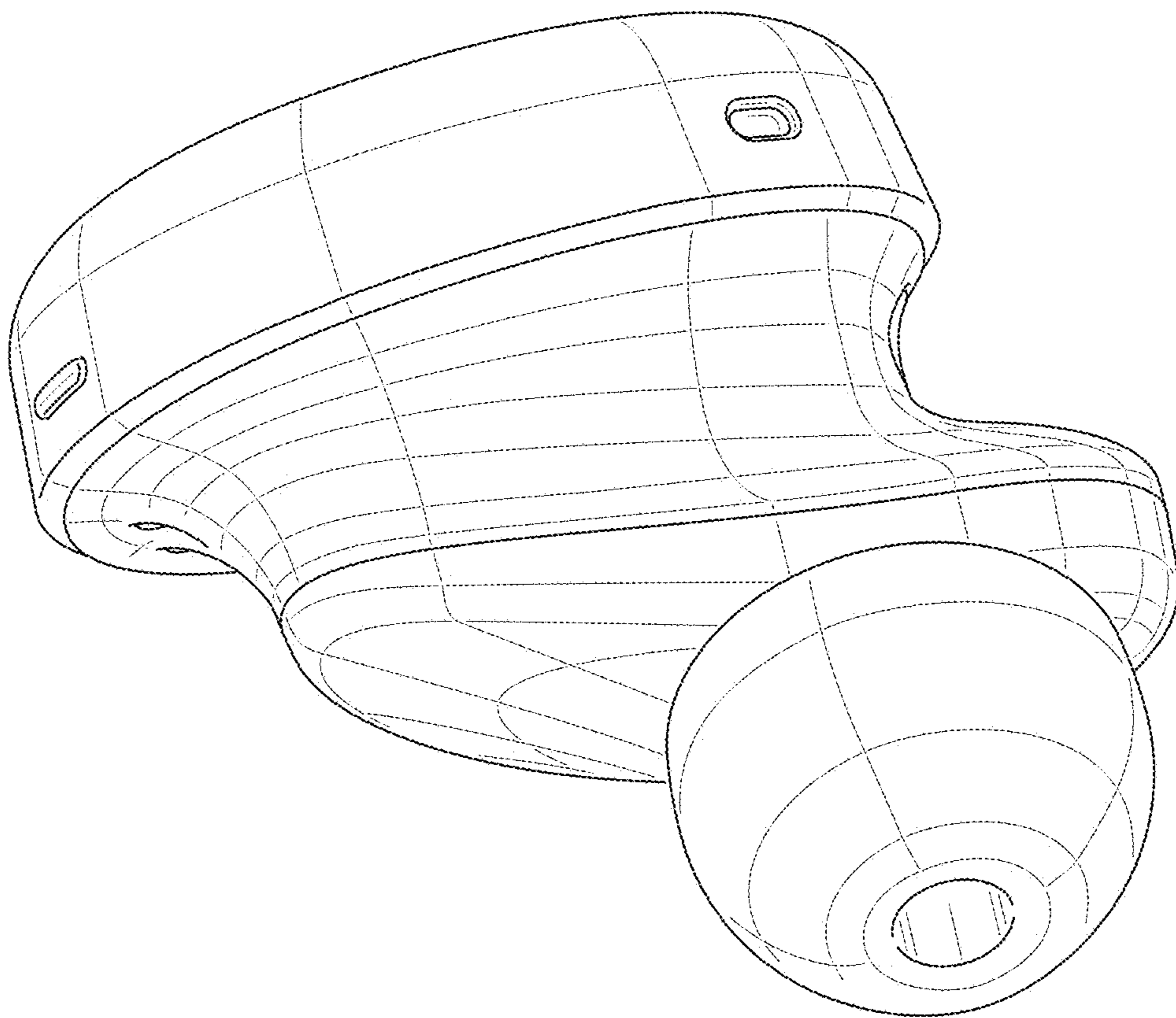


FIG. 3

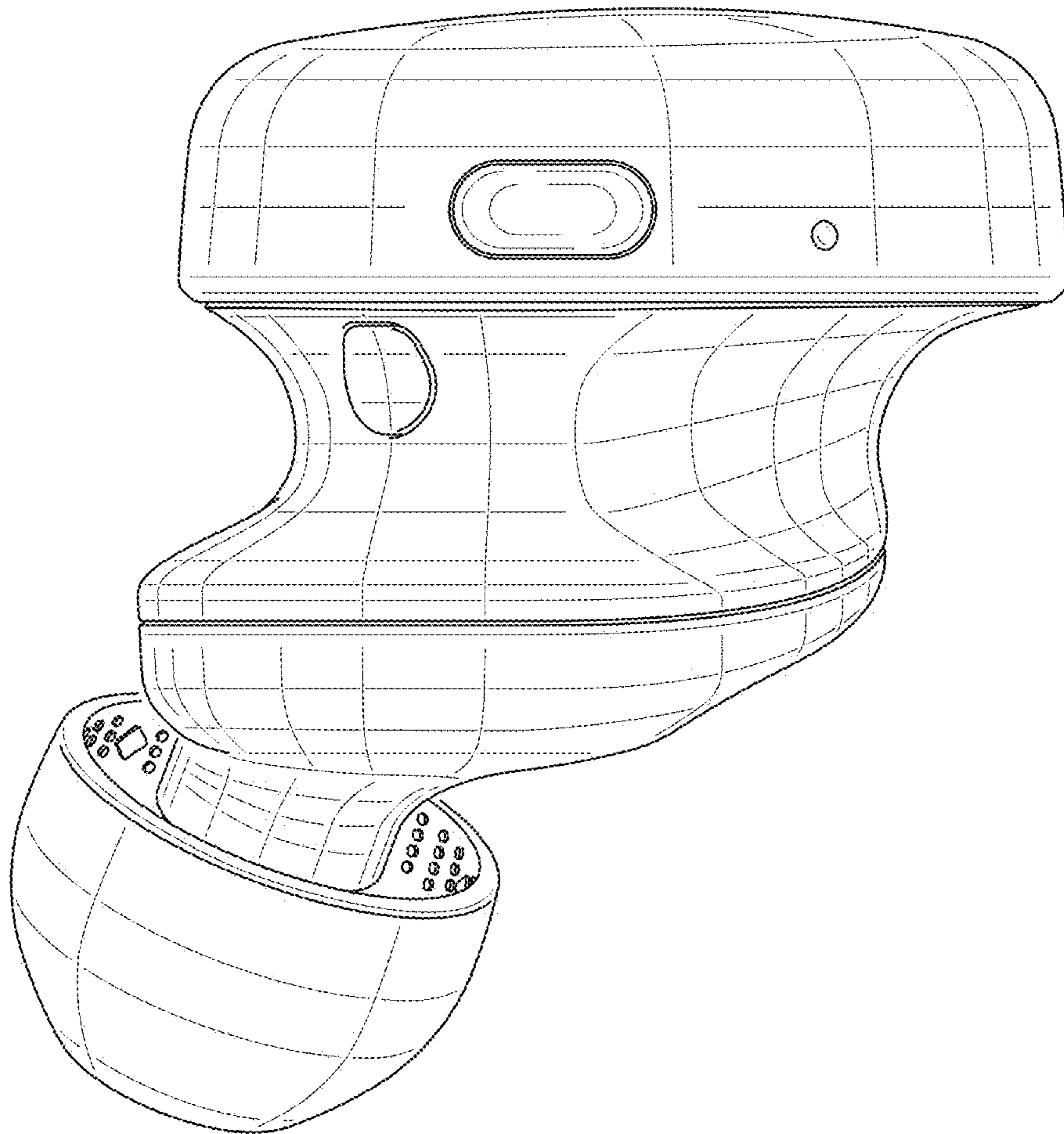


FIG. 4

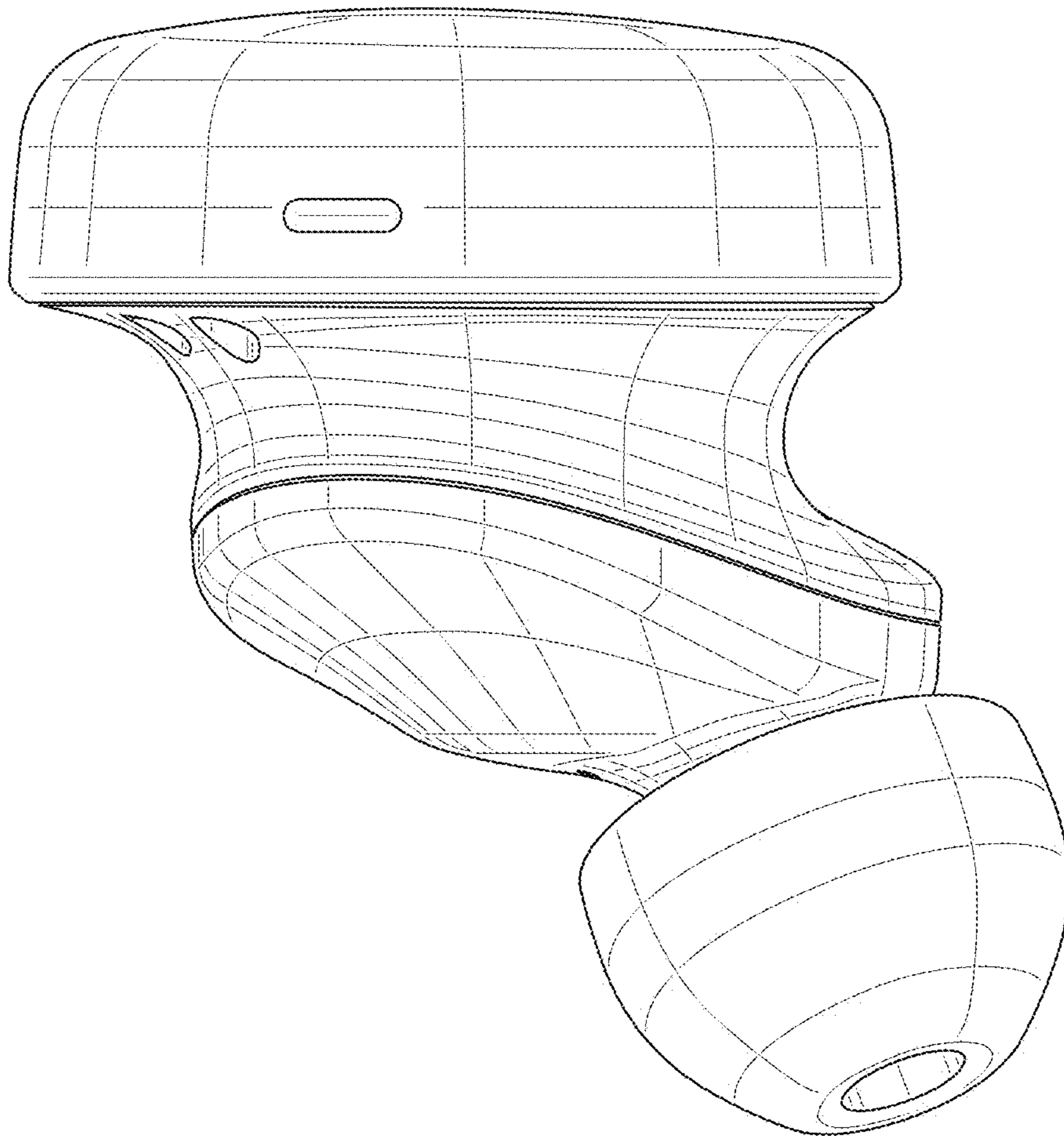


FIG. 5

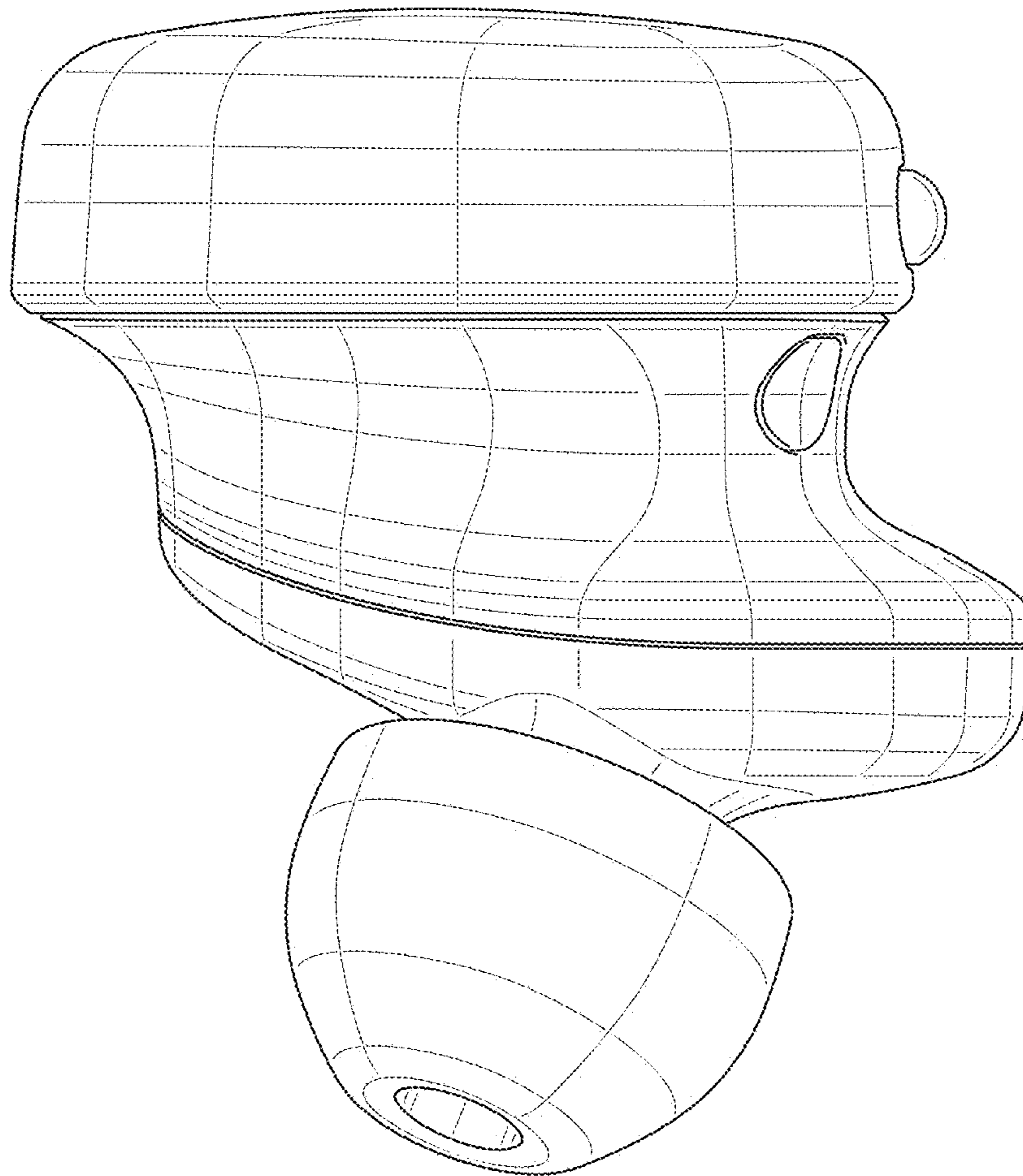
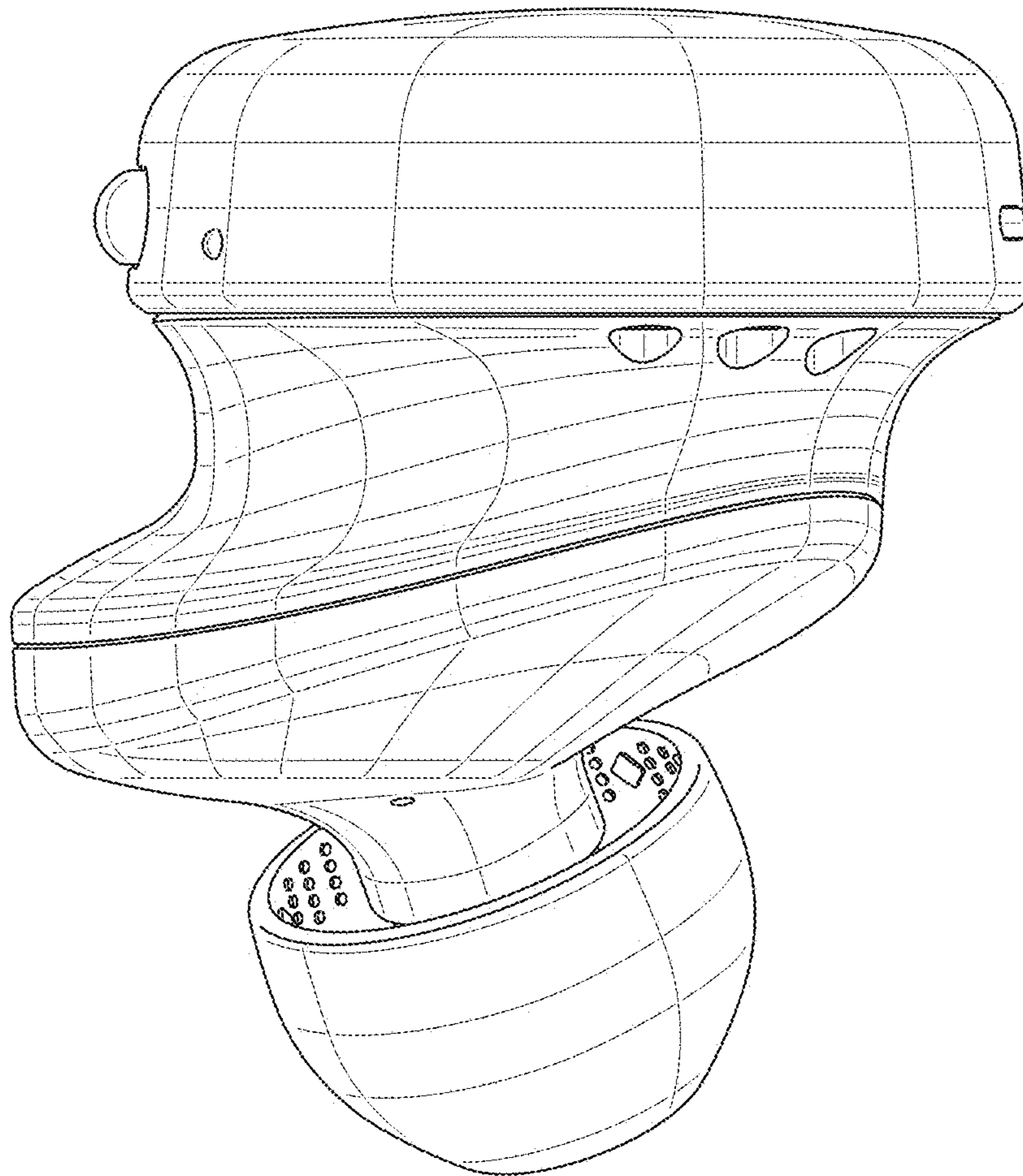


FIG. 6





*FIG. 7*

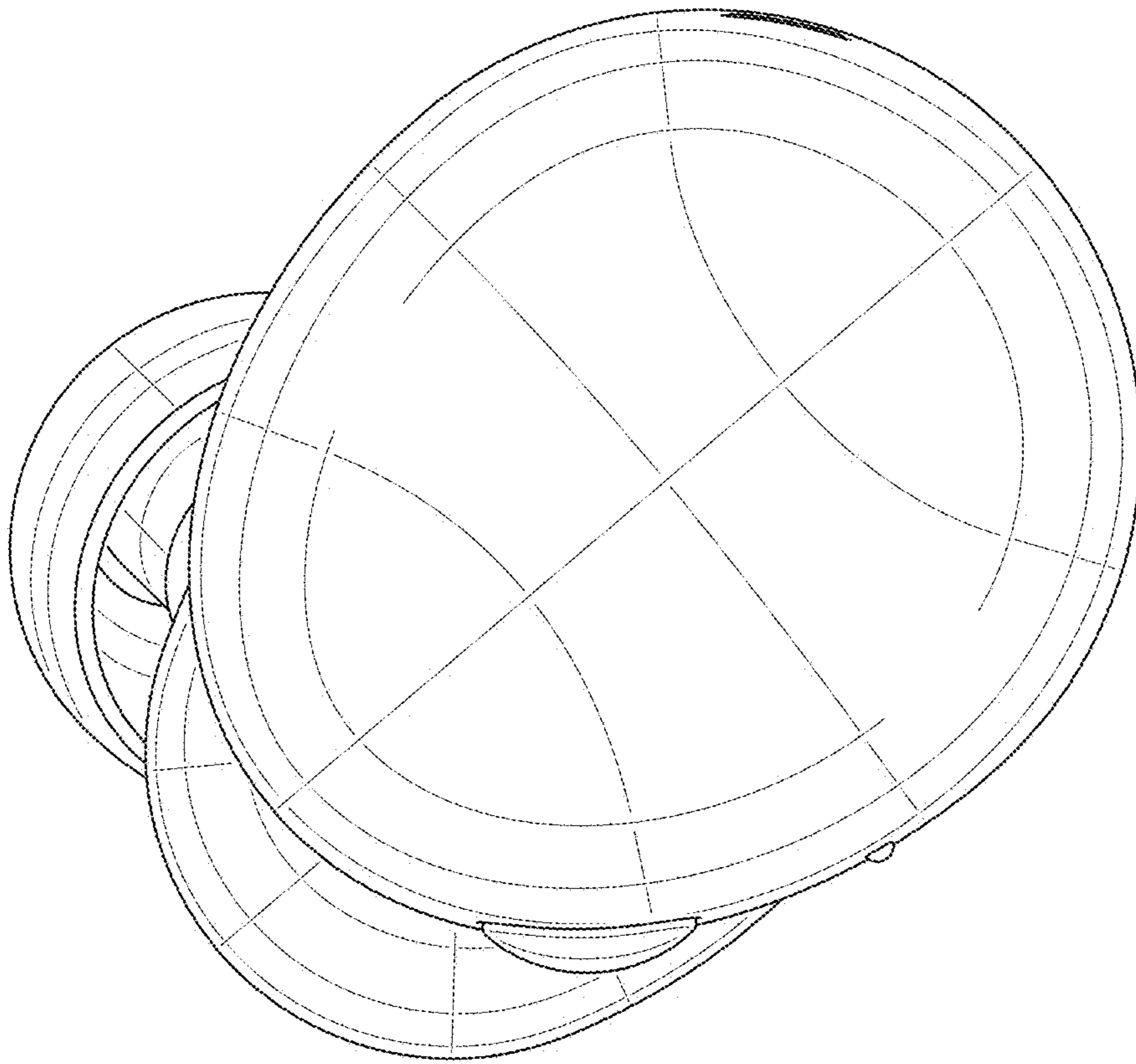


FIG. 8

