



US00D930616S

(12) **United States Design Patent** (10) **Patent No.:** **US D930,616 S**
Schoeck et al. (45) **Date of Patent:** **** Sep. 14, 2021**

(54) **PAIR OF EARPHONES**

(71) Applicant: **Microsoft Corporation**, Redmond, WA (US)

(72) Inventors: **Kaitlyn Schoeck**, Seattle, WA (US);
Young Soo Kim, Bellevue, WA (US);
Timothy G. Escolin, Seattle, WA (US)

(73) Assignee: **Microsoft Corporation**, Redmond, WA (US)

(**) Term: **15 Years**

(21) Appl. No.: **29/707,905**

(22) Filed: **Oct. 1, 2019**

(51) **LOC (13) Cl.** **14-01**

(52) **U.S. Cl.**
USPC **D14/223**

(58) **Field of Classification Search**
USPC ... D14/205, 207, 217, 221, 223, 224, 224.1,
D14/225, 216; D24/173, 174
CPC H04R 1/10; H04R 1/1016; H04R 1/1066;
H04R 1/1033; H04R 1/08; H04R 5/033;
H04R 5/0335; H04R 25/00
See application file for complete search history.

(56) **References Cited**

U.S. PATENT DOCUMENTS

D554,109 S	10/2007	Ledbetter et al.	
D572,703 S	7/2008	Ledbetter et al.	
D575,269 S	8/2008	Ledbetter et al.	
D576,154 S	9/2008	Ledbetter et al.	
D579,006 S	* 10/2008	Kim	D14/223
D582,395 S	12/2008	Ikeda et al.	
D585,428 S	1/2009	Ikeda et al.	
D603,380 S	* 11/2009	Hutchieson	D14/223
D660,292 S	5/2012	Rautiainen	
D666,581 S	9/2012	Perez	
D743,370 S	* 11/2015	Toelle	D14/205
D743,932 S	* 11/2015	Toelle	D14/205
D825,523 S	* 8/2018	Adams	D14/205
D830,992 S	* 10/2018	Hardi	D14/205

(Continued)

FOREIGN PATENT DOCUMENTS

CN 306189566 * 11/2020
CN 306196544 * 11/2020

(Continued)

OTHER PUBLICATIONS

Microsoft Surface Earbuds Launched, the Company's First Truly Wireless Earphones, announced Oct. 3, 2019 [online], retrieved May 18, 2021, retrieved from internet, <https://gadgets.ndtv.com/audio/news/microsoft-surface-earbuds-truly-wireless-earphones-price-usd-249-launch-2111123>.*

(Continued)

Primary Examiner — Dana K Weiland

Assistant Examiner — Messina L Smith

(74) *Attorney, Agent, or Firm* — Banner & Witcoff, Ltd.

(57) **CLAIM**

The ornamental design for a pair of earphones, as shown and described.

DESCRIPTION

FIG. 1 is a perspective view of a pair of earphones showing our new design;

FIG. 2 is a front view thereof;

FIG. 3 is a rear view thereof;

FIG. 4 is a right side view thereof;

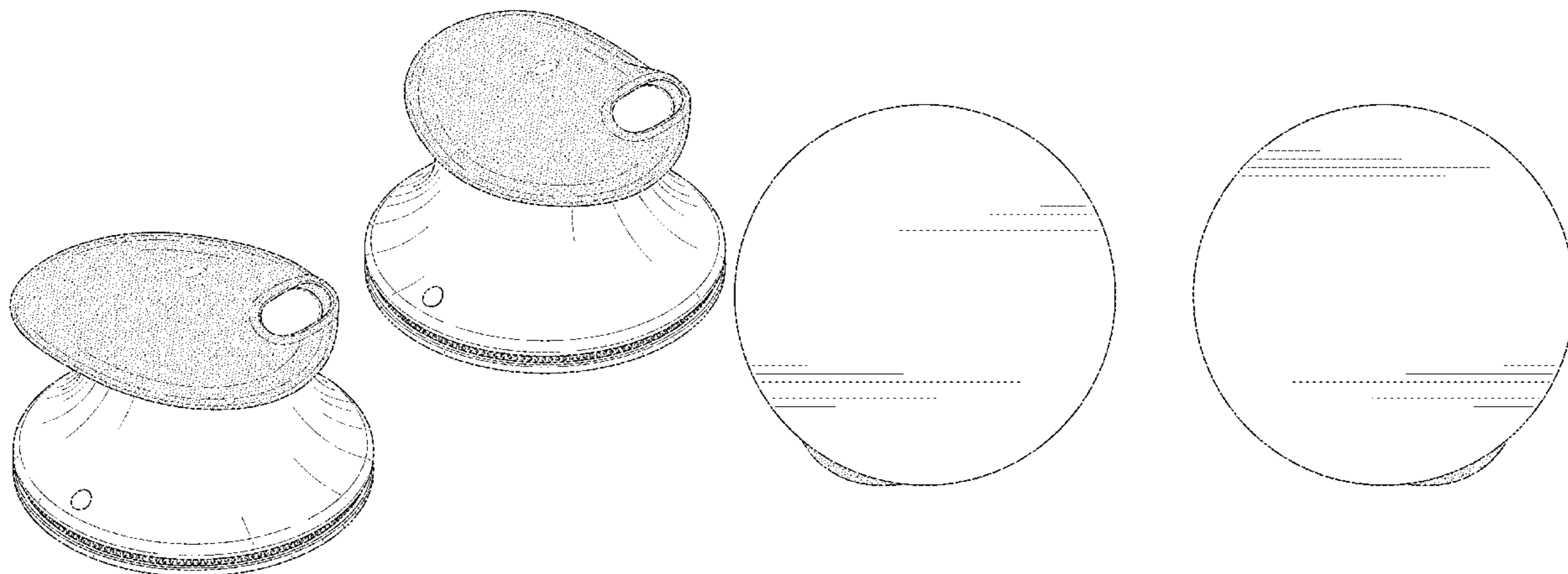
FIG. 5 is a left side view thereof;

FIG. 6 is a top view thereof; and,

FIG. 7 is a bottom view thereof.

The broken lines depicting portions of the pair of earphones in FIGS. 1, 3, and 6 show features that form no part of the claimed design. The difference in shading indicates a contrast of appearance and does not depict any particular color, texture, or material.

1 Claim, 6 Drawing Sheets



(56)

References Cited

U.S. PATENT DOCUMENTS

D847,778 S * 5/2019 Hardi D14/205
 D852,783 S * 7/2019 Hueber D14/223
 D858,488 S * 9/2019 Zheng D14/223
 D862,424 S * 10/2019 You D14/223
 D863,261 S * 10/2019 Zhu D14/223
 D864,166 S * 10/2019 You D14/223
 D867,326 S * 11/2019 Sweet D14/205
 D873,248 S * 1/2020 Weicheng D14/223
 D879,106 S * 3/2020 Mecchella D14/447
 D890,727 S * 7/2020 Park D14/223
 D896,205 S * 9/2020 Zhang D14/223
 D896,781 S * 9/2020 Reimann D14/205
 D902,186 S * 11/2020 Sun D14/223
 D902,890 S * 11/2020 Williamson D14/223
 D905,667 S * 12/2020 Zhao D14/223
 D906,294 S * 12/2020 Van D14/223
 D906,295 S * 12/2020 Zheng D14/223
 D906,296 S * 12/2020 Zheng D14/223
 D909,336 S * 2/2021 Adams D14/205
 2014/0376765 A1 * 12/2014 Toelle H04R 1/1058
 381/384
 2019/0149906 A1 * 5/2019 Rabb G06F 3/041
 381/74
 2020/0107103 A1 * 4/2020 Chen H04R 1/1083
 2020/0221211 A1 * 7/2020 Palupunoori H04R 3/12

FOREIGN PATENT DOCUMENTS

CN 306210306 * 12/2020
 JP 1509979 10/2017
 JP D1671026 * 10/2020

OTHER PUBLICATIONS

Google Pixel Buds 2020 vs Microsoft Surface Earbuds, announced Jul. 13, 2020 [online], retrieved May 18, 2021, retrieved from internet, <https://www.itworldcanada.com/article/google-pixel-buds-2020-vs-microsoft-surface-earbuds-which-one-should-you-buy/433015>.*

Microsoft working on wireless earbuds to take on Apple AirPods, announced Apr. 17, 2019 [online], retrieved May 18, 2021, retrieved from internet, <https://www.gizbot.com/accessories/news/microsoft-working-on-wireless-earbuds-to-take-on-apple-airpods-059207.html>.*

In-ear true wireless headphones, announced © 2004-2021 [online], retrieved May 18, 2021, retrieved from internet, https://www.usa.philips.com/c-p/TAT8505BK_00/8000-series-in-ear-true-wireless-headphones.*

“Notice of Allowance Issued in Japanese Patent Application No. 2020-006800”, dated Sep. 8, 2020, 5 Pages.

“Office Action Issued in Korean Patent Application No. 30-2020-0013246”, dated Dec. 14, 2020, 4 Pages.

* cited by examiner

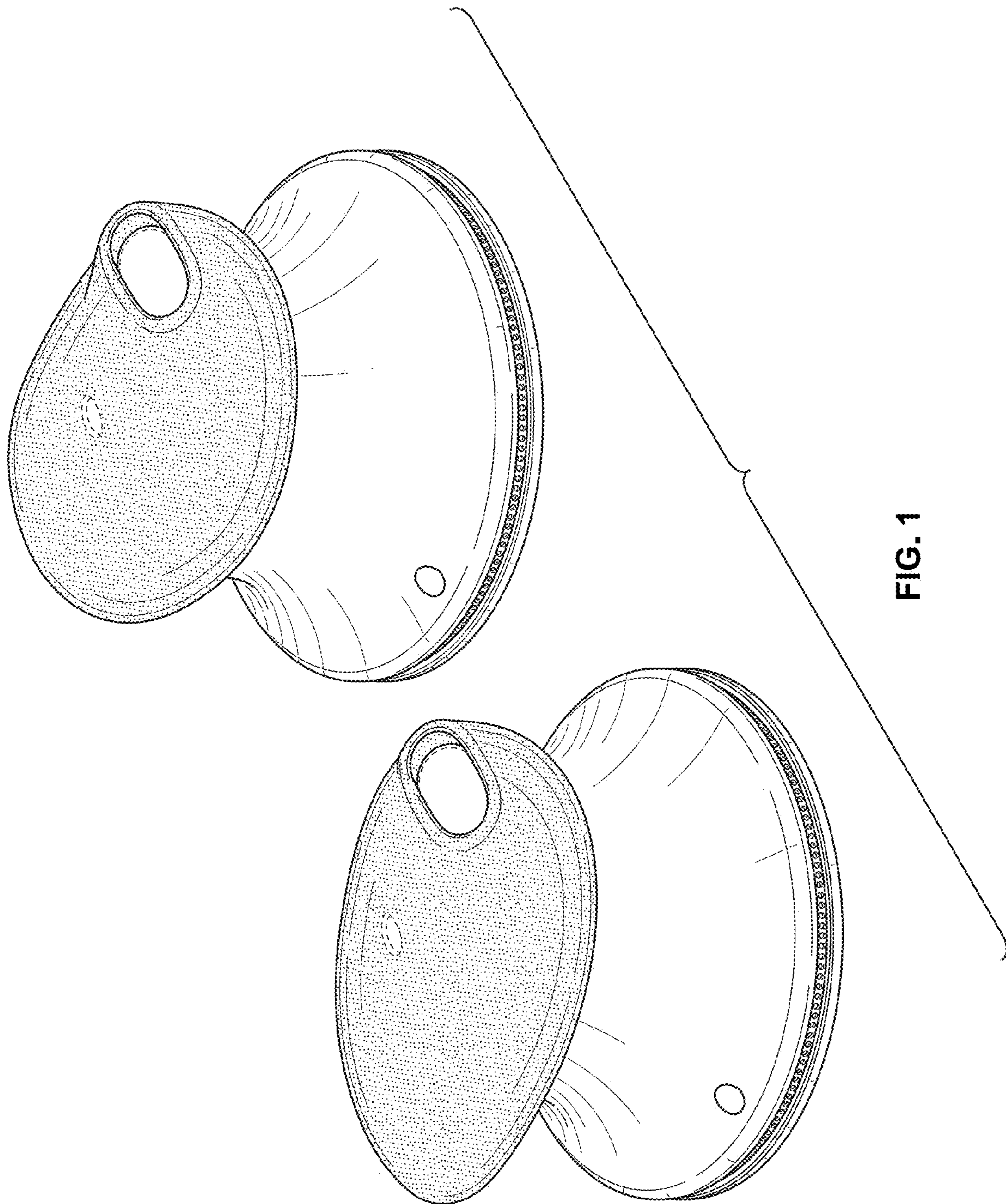


FIG. 1

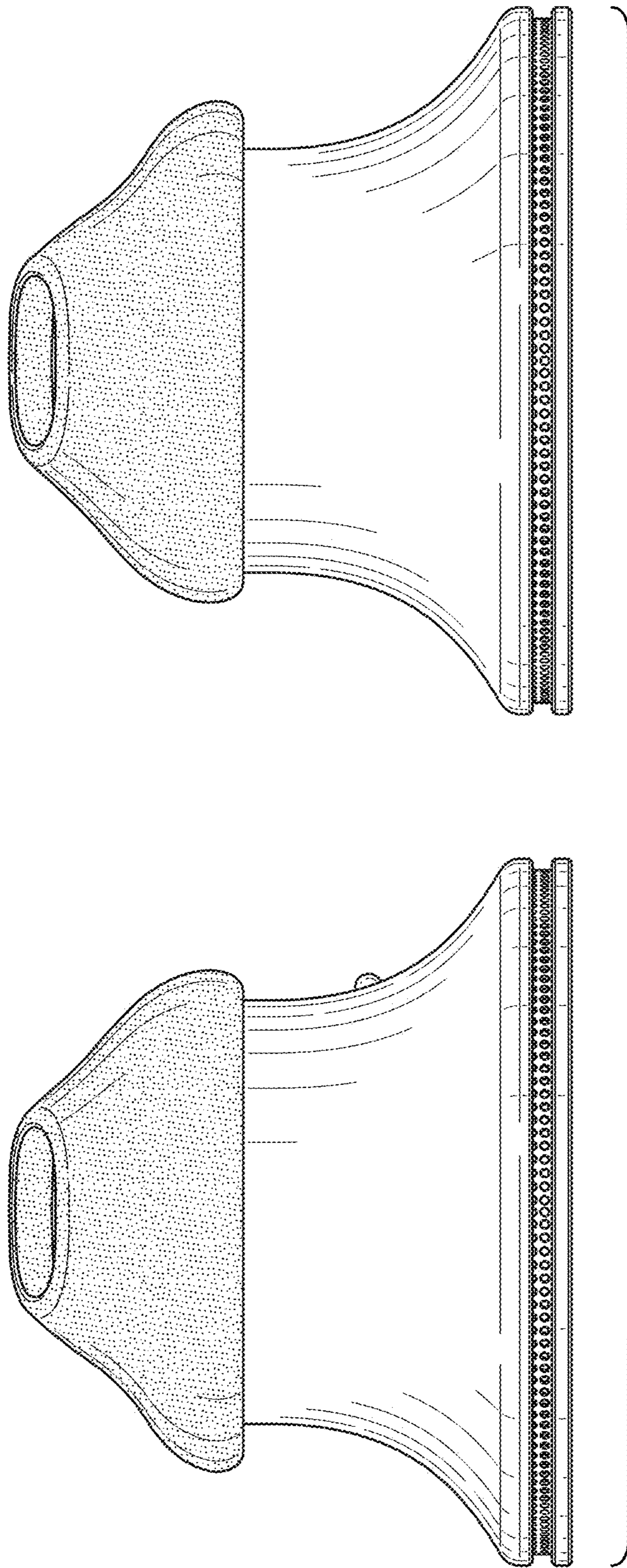


FIG. 2

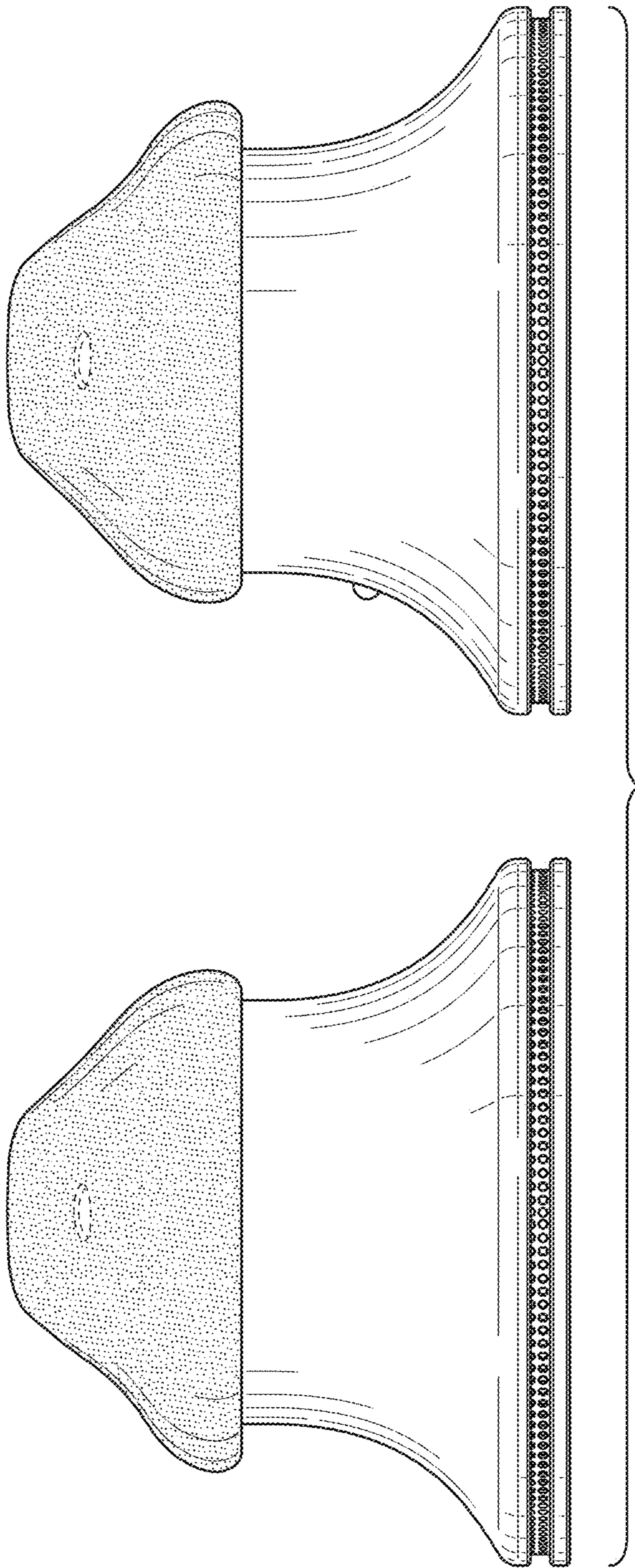


FIG. 3

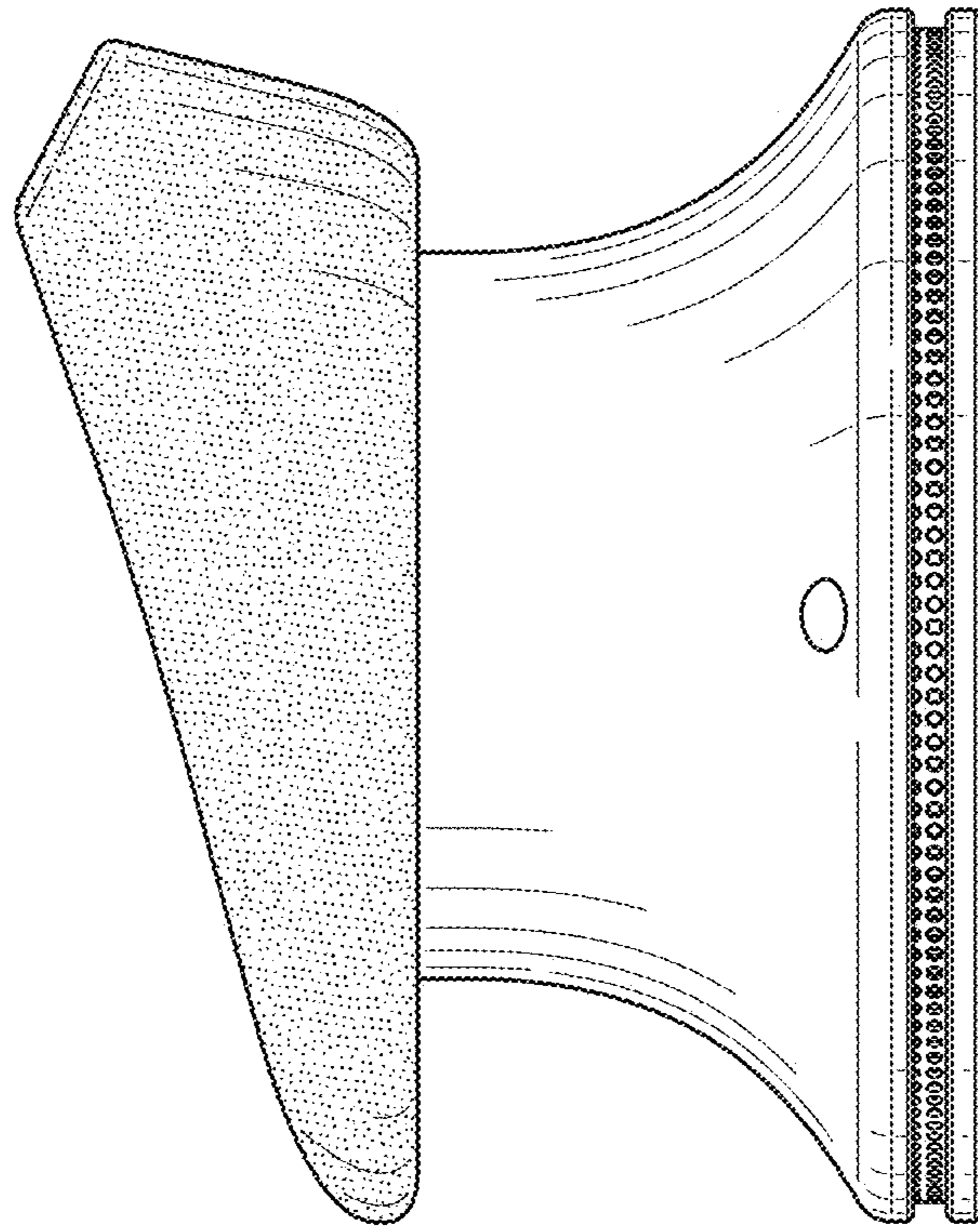


FIG. 5

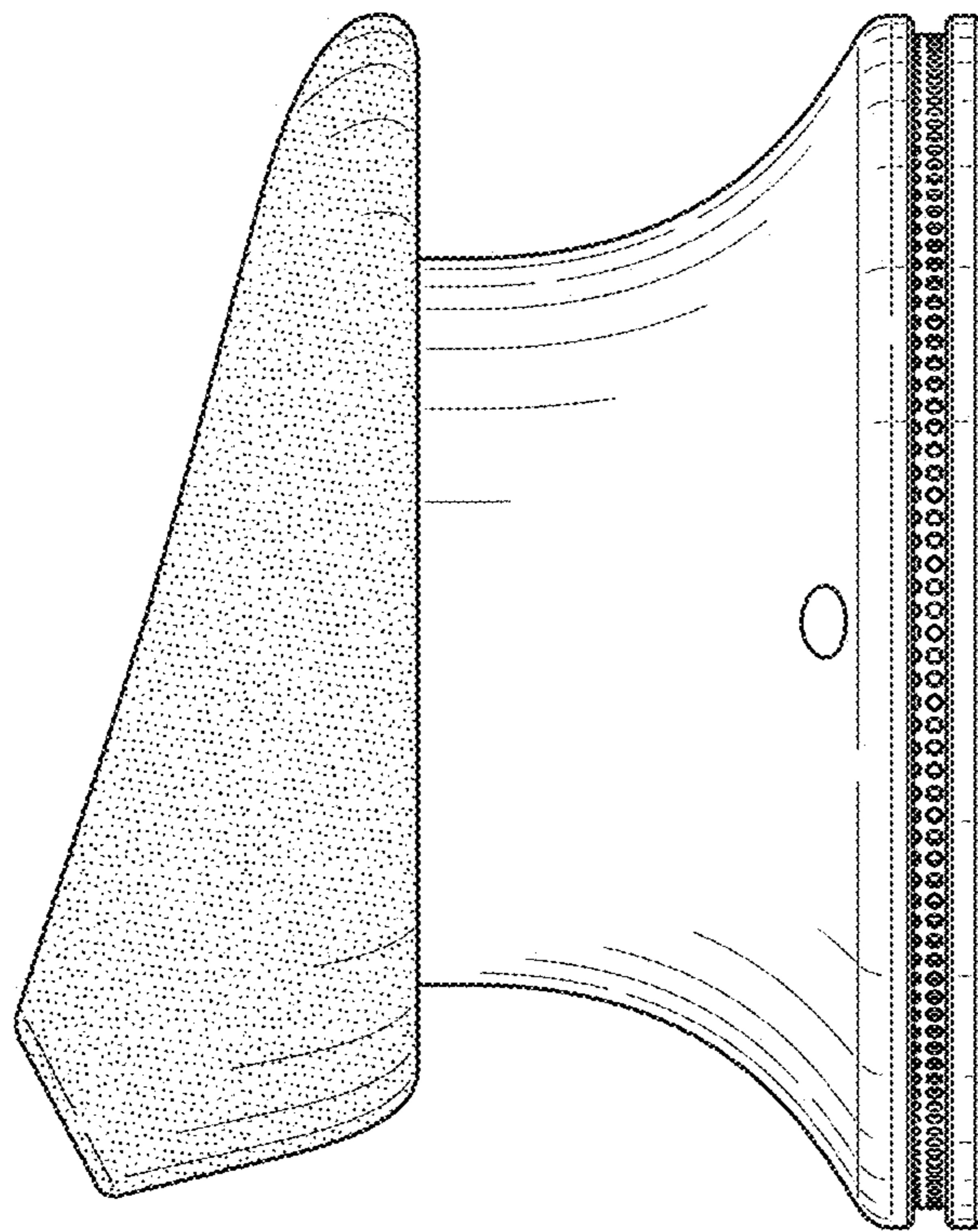


FIG. 4

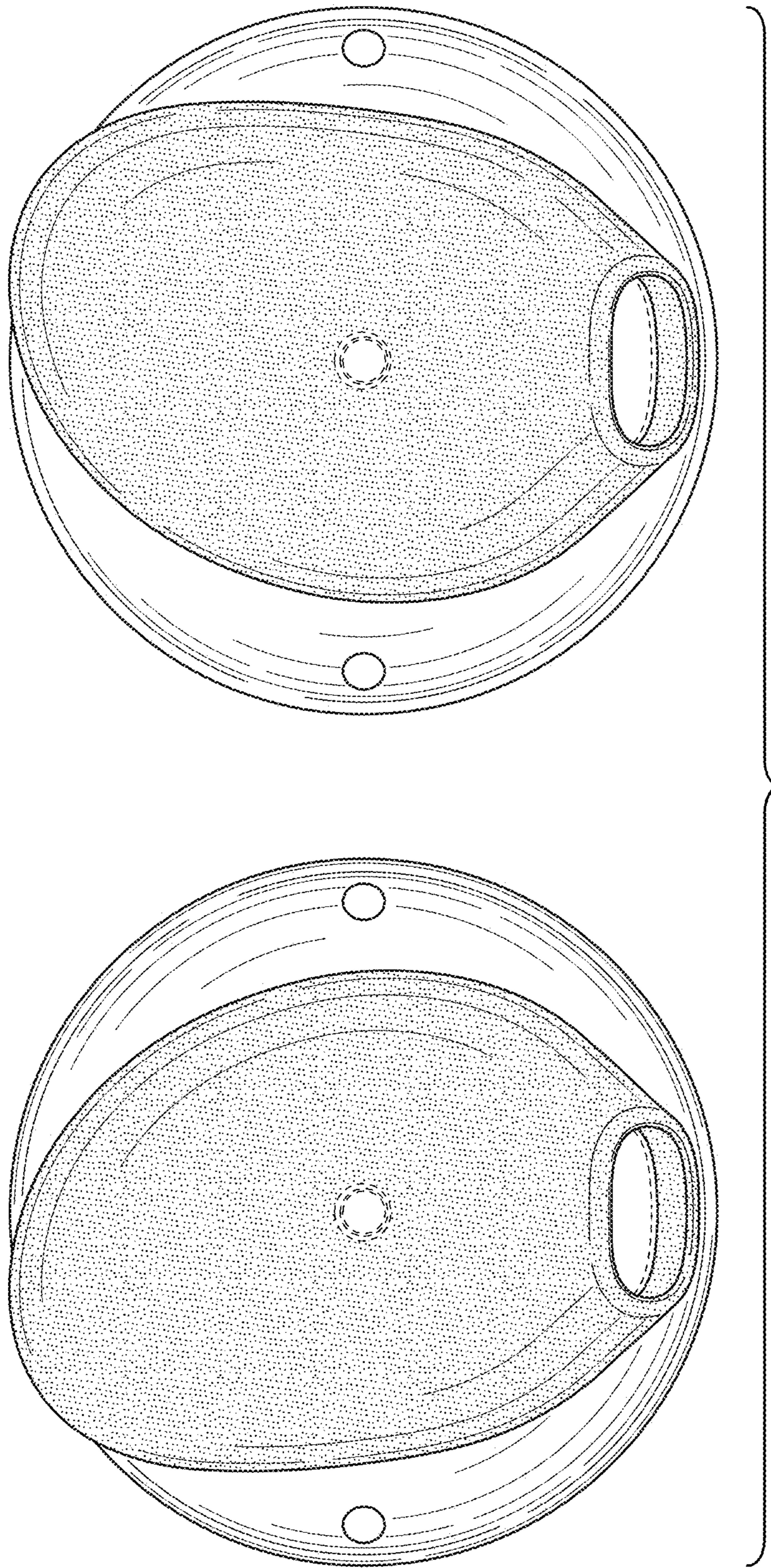


FIG. 6

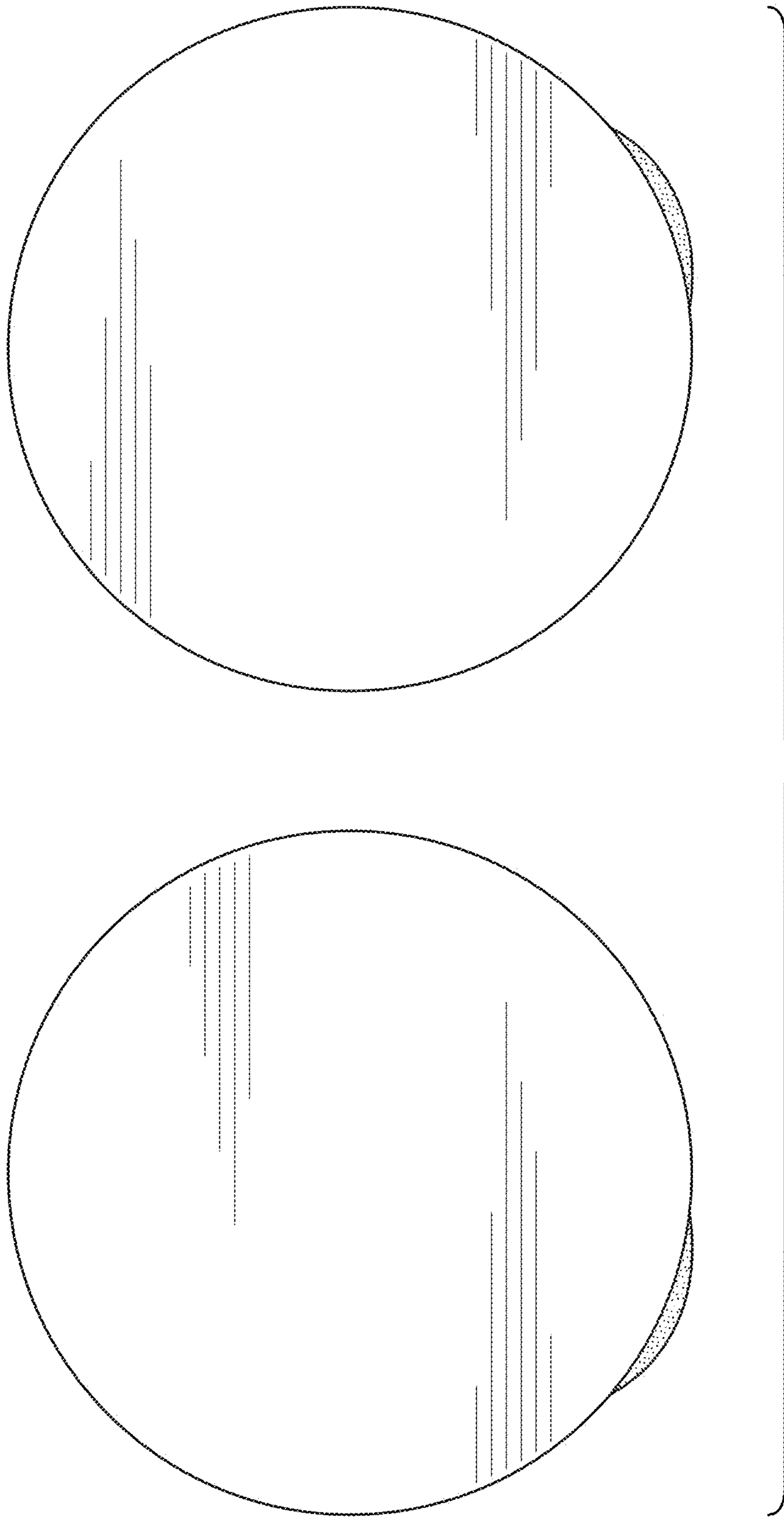


FIG. 7