



US00D930607S

(12) **United States Design Patent** (10) **Patent No.:** **US D930,607 S**  
**Li** (45) **Date of Patent:** **\*\* Sep. 14, 2021**

(54) **SMART PHONE**  
(71) Applicant: **Lenovo (Beijing) Co., Ltd.**, Beijing (CN)  
(72) Inventor: **Yong Li**, Beijing (CN)  
(73) Assignee: **Lenovo (Beijing) Co., Ltd.**, Beijing (CN)  
(\*\*) Term: **15 Years**

D692,419 S \* 10/2013 Rayner ..... D14/250  
D738,839 S \* 9/2015 Choi ..... D14/248  
D740,265 S \* 10/2015 Joung ..... D14/248  
D786,847 S \* 5/2017 Kim ..... D14/248  
D803,176 S \* 11/2017 Cho ..... D14/138 G  
D828,819 S \* 9/2018 Li ..... D14/138 G  
D831,625 S \* 10/2018 Cho ..... D14/248  
D834,550 S \* 11/2018 Ryu ..... D14/138 G  
D839,249 S \* 1/2019 Cho ..... D14/248  
D854,528 S \* 7/2019 Ryu ..... D14/248  
D883,946 S \* 5/2020 Xu ..... D14/138 G  
D890,153 S \* 7/2020 Kim ..... D14/248  
D890,713 S \* 7/2020 Xu ..... D14/138 G

(Continued)

(21) Appl. No.: **35/507,945**

(22) Filed: **Aug. 15, 2019**

(80) **Hague Agreement Data**

Int. Filing Date: **Aug. 15, 2019**  
Int. Reg. No.: **DM/204305**  
Int. Reg. Date: **Aug. 15, 2019**  
Int. Reg. Pub. Date: **Nov. 29, 2019**

(30) **Foreign Application Priority Data**

Feb. 15, 2019 (CN) ..... 201930065562.8

(51) **LOC (13) Cl.** ..... **14-03**

(52) **U.S. Cl.**  
USPC ..... **D14/138 C**

(58) **Field of Classification Search**

USPC ..... D14/138, 138 C, 138 AA, 138 G, 203.1,  
D14/203.3, 203.5, 203.7, 248, 341, 345,  
D14/496; D21/329, 517

CPC . G06F 1/1626; H04M 1/0266; H04M 1/0202;  
H04M 1/026

See application file for complete search history.

(56) **References Cited**

**U.S. PATENT DOCUMENTS**

D569,830 S \* 5/2008 Kwak ..... D14/138 AD  
D596,605 S \* 7/2009 Son ..... D14/138 AC  
D684,554 S \* 6/2013 Park ..... D14/138 G

**OTHER PUBLICATIONS**

The Motorola Zoom, publication date Sep. 5, 2019, [online][site visited Nov. 4, 2020] URL: <https://www.theverge.com/circuitbreaker/2019/9/5/20851503/motorola-one-zoom-four-cameras-specs-features-price-ifa-2019> (Year: 2019).\*

(Continued)

*Primary Examiner* — L. A. Grabenstetter

(74) *Attorney, Agent, or Firm* — Oppedahl Patent Law Firm LLC

(57) **CLAIM**

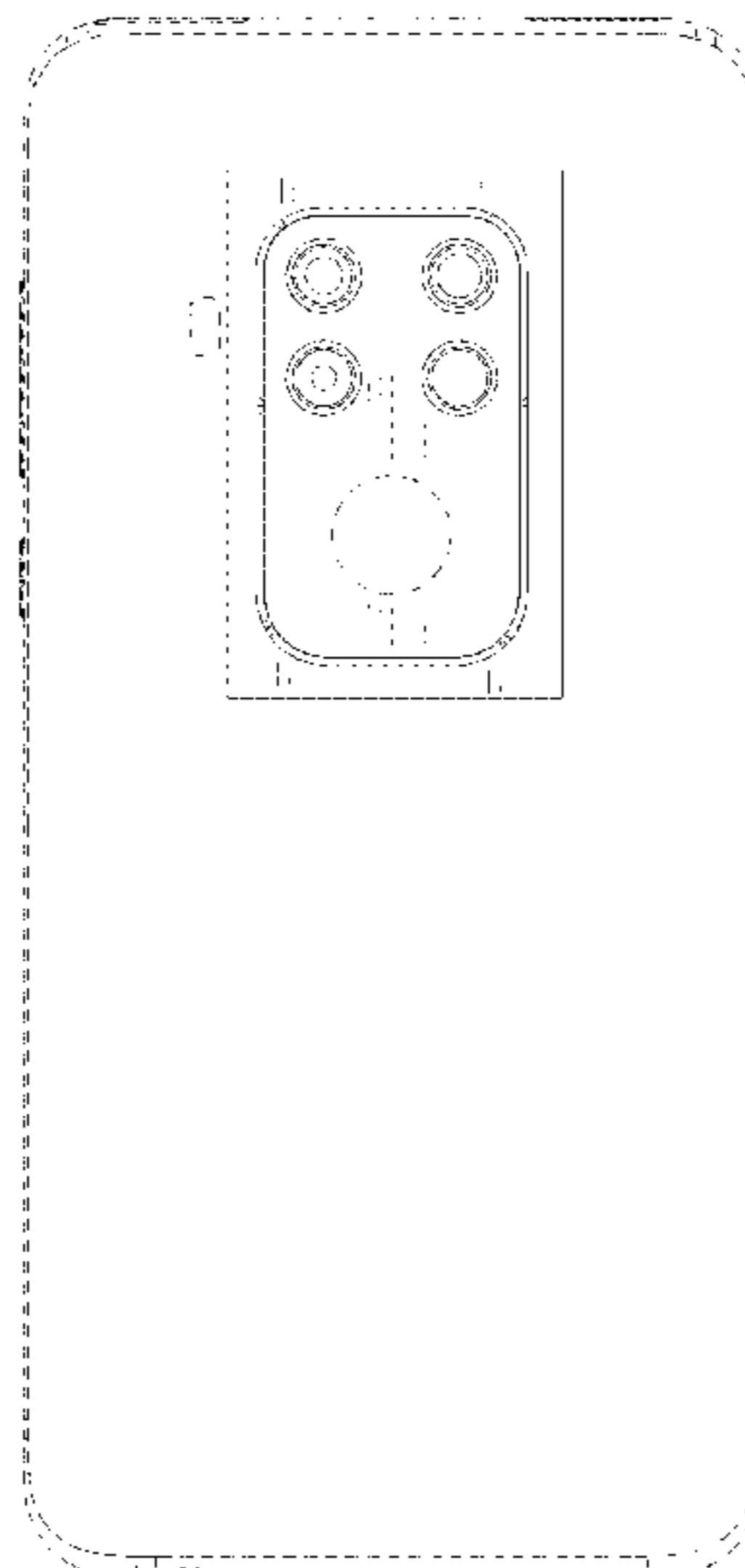
The ornamental design for a smart phone, as shown and described.

**DESCRIPTION**

- 2. Smart phone
- 2.1 front view;
- 2.2 Back view;
- 2.3 Left view;
- 2.4 Right view;
- 2.5 Top view; and,
- 2.6 Bottom view.

The broken lines shown in the drawings illustrate portions of the smart phone that form no part of the claimed designs.

**1 Claim, 6 Drawing Sheets**



(56)

**References Cited**

U.S. PATENT DOCUMENTS

2019/0339746 A1\* 11/2019 Kim ..... B32B 7/12

OTHER PUBLICATIONS

CubotX30 Review, publication date Aug. 16, 2020, [online][site visited Nov. 4, 2020] URL: <https://www.gearbest.com/community/Kmr5CO> (Year: 2020).\*

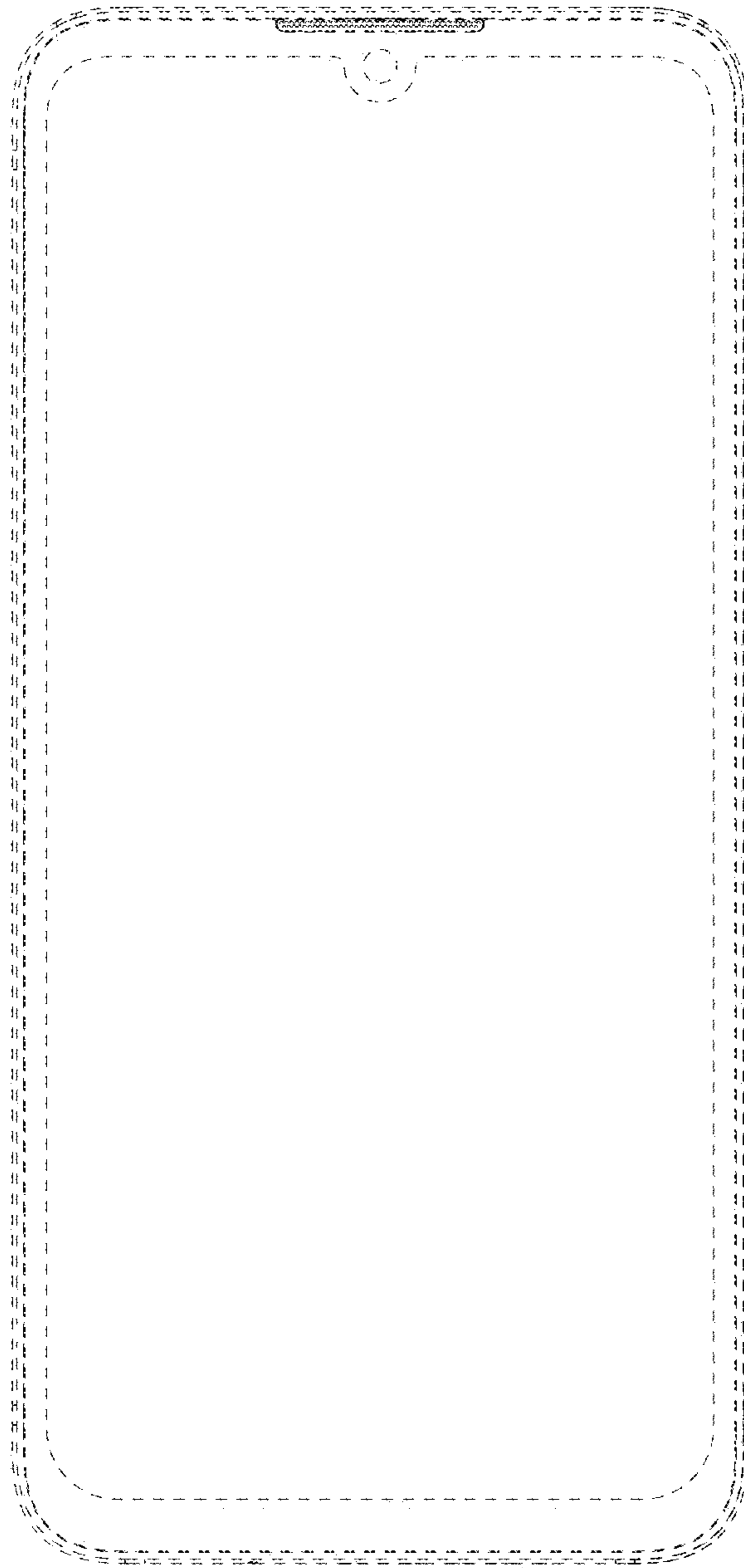
Google Pixel 5 video, publication date Aug. 2, 2020, [online][site visited Nov. 4, 2020] URL: <https://www.tomsguide.com/news/this-pixel-5-video-shows-off-the-phone-google-should-have-built-all-along> (Year: 2020).\*

OnePlus 8T Review, publication date Oct. 14, 2020] [online][site visited Feb. 4, 2021] URL: <https://www.theverge.com/21514174/oneplus-8t-review> (Year: 2020).\*

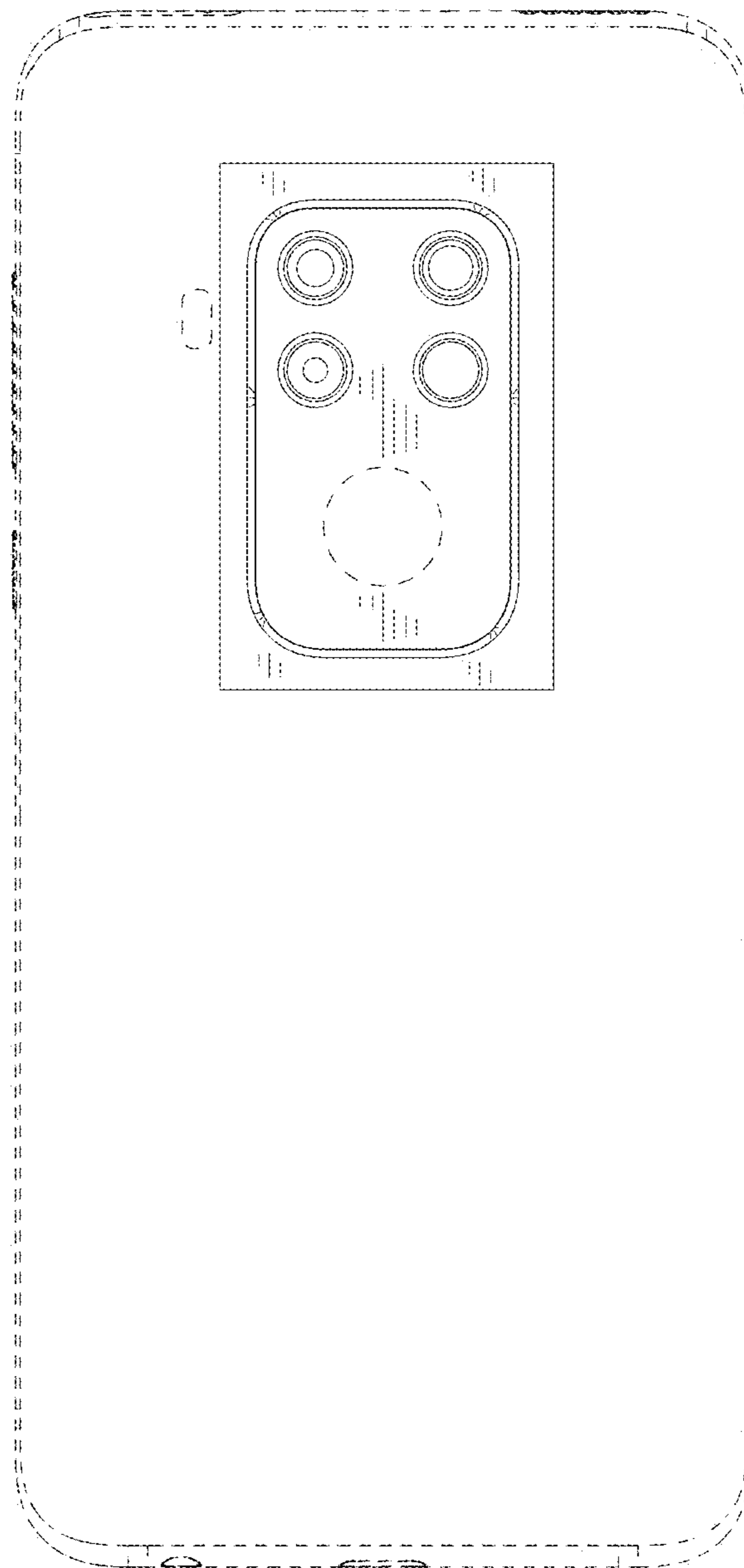
Huawei P40 Pro, Hands on, publication date Apr. 15, 2020, [online][site visited Nov. 4, 2020] URL: <https://www.zdnet.com/product/huawei-p40-pro/> (Year: 2020).\*

This could be Motorola's first phone with four rear cameras, publication date Apr. 4, 2019, [online][site visited Nov. 4, 2020] URL: <https://www.androidcentral.com/could-be-motorolas-first-phone-four-rear-cameras> (Year: 2019).\*

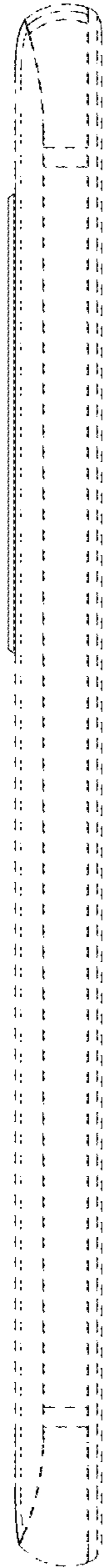
\* cited by examiner



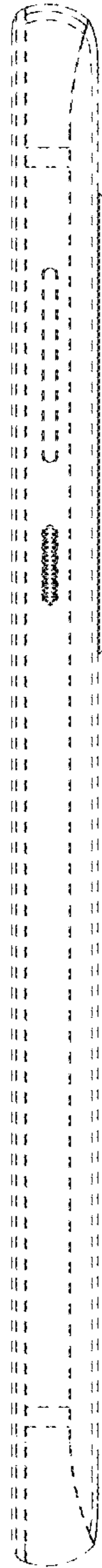
2.1



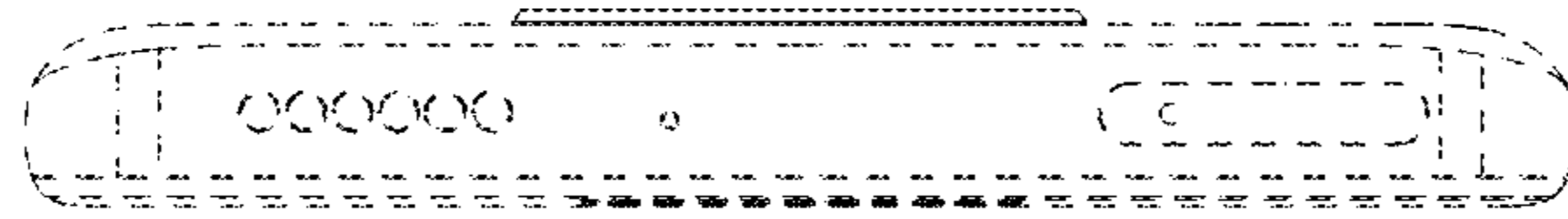
2.2



2.3



2.4



2.5



2.6