



US00D930606S

(12) **United States Design Patent** (10) **Patent No.:** **US D930,606 S**  
**Lee et al.** (45) **Date of Patent:** **\*\* Sep. 14, 2021**

(54) **TELEVISION RECEIVER**

FOREIGN PATENT DOCUMENTS

(71) Applicant: **Samsung Electronics Co., Ltd.**,  
Suwon-si (KR)

CN 305402283 \* 10/2019  
CN 305402290 \* 10/2019

(Continued)

(72) Inventors: **Seungho Lee**, Guri-si (KR); **Jaewook Yoo**, Seoul (KR); **Eunah Kim**, Seoul (KR); **Jangho Kim**, Seoul (KR)

OTHER PUBLICATIONS

Samsung QE55Q80R Review, Jun. 12, 2019, [retrieved on: May 6, 2021], Retrieved from Internet, URL: <<https://www.trustedreviews.com/reviews/samsung-qe55q80r>> (Year: 2019).\*

(Continued)

(73) Assignee: **Samsung Electronics Co., Ltd.**,  
Suwon-si (KR)

(\*\*) Term: **15 Years**

*Primary Examiner* — Barbara Fox

*Assistant Examiner* — Aram Kwon

(21) Appl. No.: **29/758,792**

(74) *Attorney, Agent, or Firm* — NSIP Law

(22) Filed: **Nov. 18, 2020**

**Related U.S. Application Data**

(62) Division of application No. 29/685,225, filed on Mar. 27, 2019.

(57) **CLAIM**

We claim the ornamental design for a television receiver, as shown and described.

(30) **Foreign Application Priority Data**

Oct. 5, 2018 (KR) ..... 30-2018-0046020  
Dec. 13, 2018 (KR) ..... 30-2018-0058879

**DESCRIPTION**

(51) **LOC (13) Cl.** ..... **14-03**

(52) **U.S. Cl.**  
USPC ..... **D14/126**

(58) **Field of Classification Search**  
USPC ..... D14/125–126, 127–137, 157, 167–168,  
D14/203.1–203.8, 239, 260, 314–317,  
(Continued)

FIG. 1 is a front perspective view of a television receiver showing our new design;  
FIG. 2 is a front view thereof;  
FIG. 3 is a rear view thereof;  
FIG. 4 is a left-side view thereof;  
FIG. 5 is a right-side view thereof;  
FIG. 6 is a top view thereof;  
FIG. 7 is a bottom view thereof;  
FIG. 8 is a rear perspective view thereof; and,  
FIG. 9 is a cross-sectional view taken through line 9-9 of FIG. 4.

The broken lines in the figures depict portions of the television receiver which form no part of the claimed design.

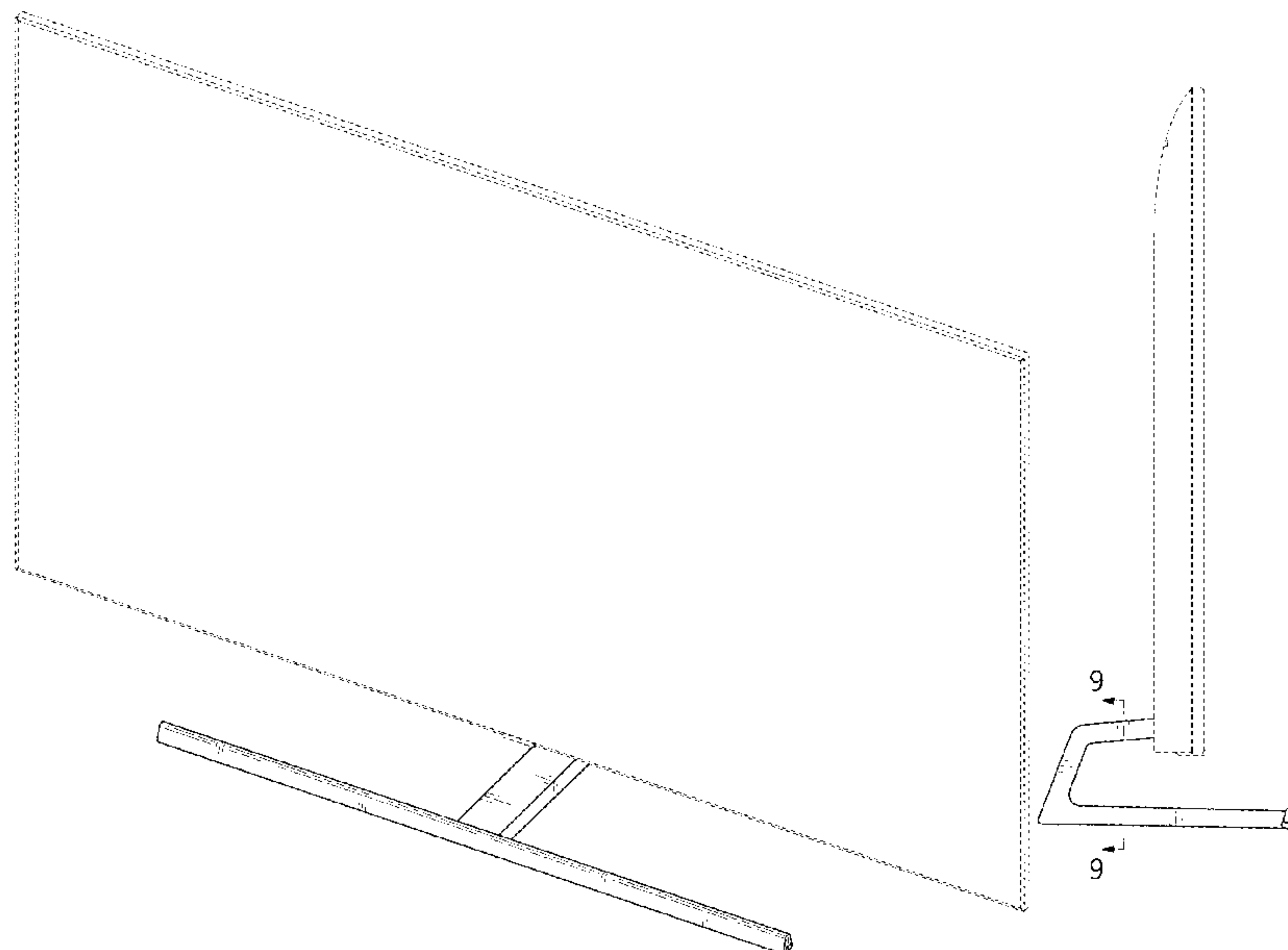
(56) **References Cited**

**U.S. PATENT DOCUMENTS**

D728,499 S 5/2015 Park et al.  
D742,378 S 11/2015 Jung et al.

(Continued)

**1 Claim, 7 Drawing Sheets**



(58) **Field of Classification Search**

USPC ..... D14/322, 334–336, 339–341, 356–358,  
                   D14/371, 373–374, 432–434, 498;  
                   D16/200–208, 211, 216–219, 221, 230,  
                   D16/237; D13/108, 110, 123, 152, 158,  
                   D13/162, 162.1, 163, 168, 184, 199  
 CPC ..... G06F 1/16; G06F 1/1601; G06F 1/1637;  
                   H04N 5/64; H05K 5/0017; H05K 5/0204;  
                   H05K 5/0217

See application file for complete search history.

(56) **References Cited**

U.S. PATENT DOCUMENTS

D746,799 S	1/2016	Kim et al.	
D747,299 S	1/2016	Kim et al.	
D747,300 S	1/2016	Kim et al.	
D747,703 S	1/2016	Kim et al.	
D750,093 S	2/2016	Jung et al.	
D795,230 S *	8/2017	Lee .....	D14/239
D800,082 S	10/2017	Ahn et al.	
D800,101 S	10/2017	Park et al.	
D801,337 S	10/2017	Lee et al.	
D817,938 S	5/2018	Cho et al.	
D817,939 S *	5/2018	Cho .....	D14/239
D819,583 S	6/2018	Lee et al.	
D819,614 S *	6/2018	Lee .....	D14/239
D857,676 S	8/2019	Kim et al.	
D862,429 S	10/2019	Lee et al.	
D862,430 S *	10/2019	Lee .....	D14/239
D863,240 S	10/2019	Lee et al.	
D866,295 S	11/2019	Lee et al.	
D899,386 S *	10/2020	Lee .....	D14/126
D906,991 S *	1/2021	Lee .....	D14/126
D906,992 S *	1/2021	Lee .....	D14/126

FOREIGN PATENT DOCUMENTS

EM	002463190.0003	9/2014
KR	30-2011-0056213	12/2012
KR	30-2013-0008757	2/2014
KR	30-2013-008766	2/2014
KR	30-2016-0043094	9/2017
KR	301011339.0000	* 6/2019
KR	301011340.0000	* 6/2019
KR	30-2018-0058878	8/2019
KR	30-2018-0058879	10/2019
WO	WOD201596-012	* 8/2019
WO	WOD201596-013	* 8/2019
WO	WOD201979-001	10/2019
WO	WOD201979-003	10/2019
WO	WOD201979-004	10/2019

OTHER PUBLICATIONS

Samsung Q85R 4K TV review: Powerful picture performance, Jul. 29, 2019, [retrieved on: May 6, 2021], Retrieved from Internet, URL: <<https://www.pocket-lint.com/tv/reviews/samsung/148612-samsung-q85r-review-4k-tv-qe55q85r>> (Year: 2019).\*

Samsung Electronics . . . Smart QLED TV, © 2017 [online], [retrieved Aug. 22, 2020], Retrieved from Internet, URL: <<https://www.amazon.com/Samsung-Electronics-QN55Q7F-55-Ince-Ultra/dp/B01NAYM6JQ>> (Year:2017).

Samsung QE55Q85R Review, Nov. 13, 2019 [online], [retrieved Aug. 22, 2020], Retrieved from Internet, URL: <<https://www.trustedreviews.com/reviews/samsung-qe55q85r>> (Year: 2019).

TCL . . . LED 4K UHD Smart Roku TV, 2019[online], [retrieved Aug. 22, 2020], Retrieved from Internet URL: <<https://www.bestbuy.com/site/tcl-75-class-8-series-led-4k-uhd-smart-roku-tv/6377907.p?skuId=6377907>> (Year: 2019).

\* cited by examiner

FIG. 1

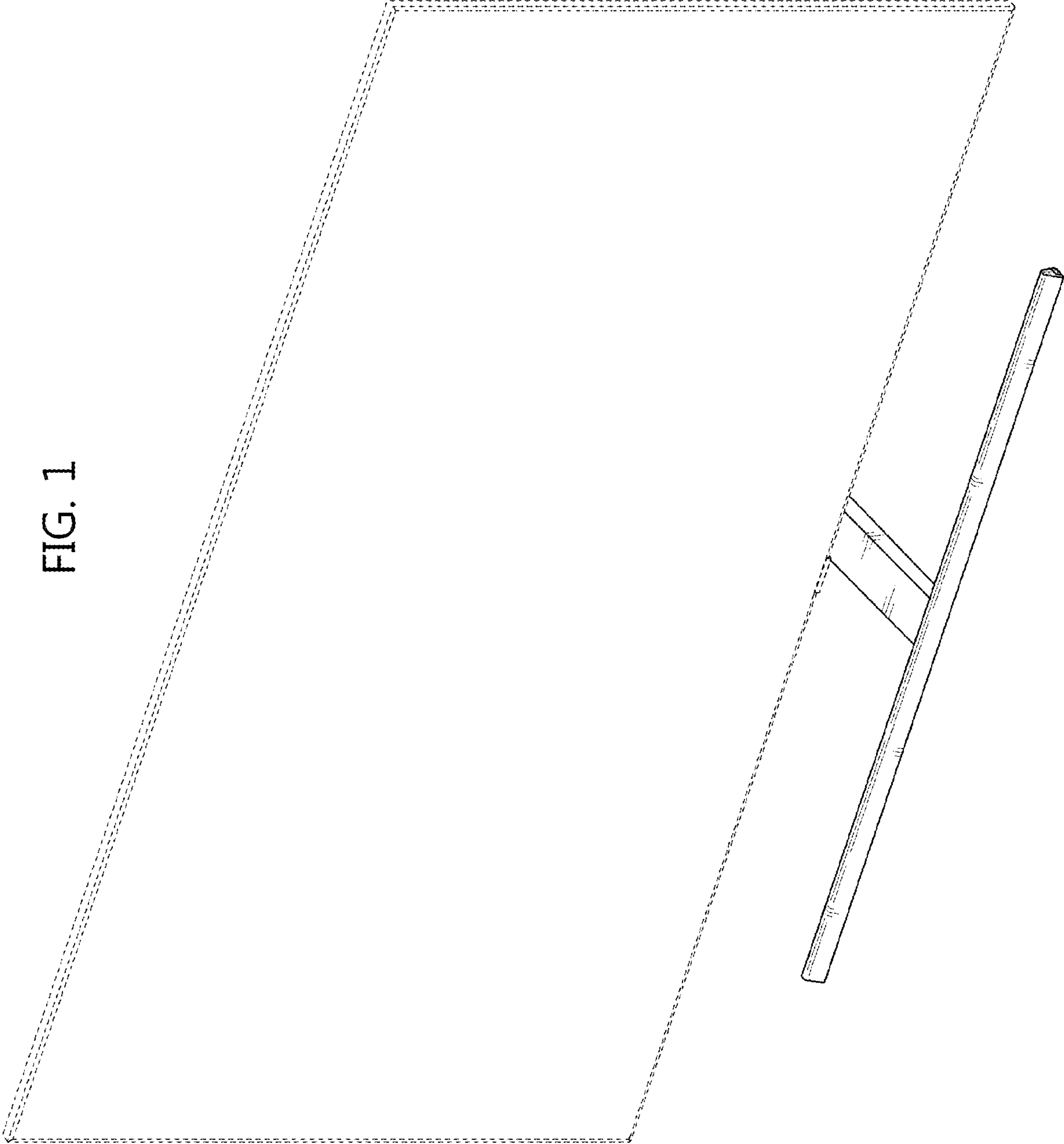


FIG. 2

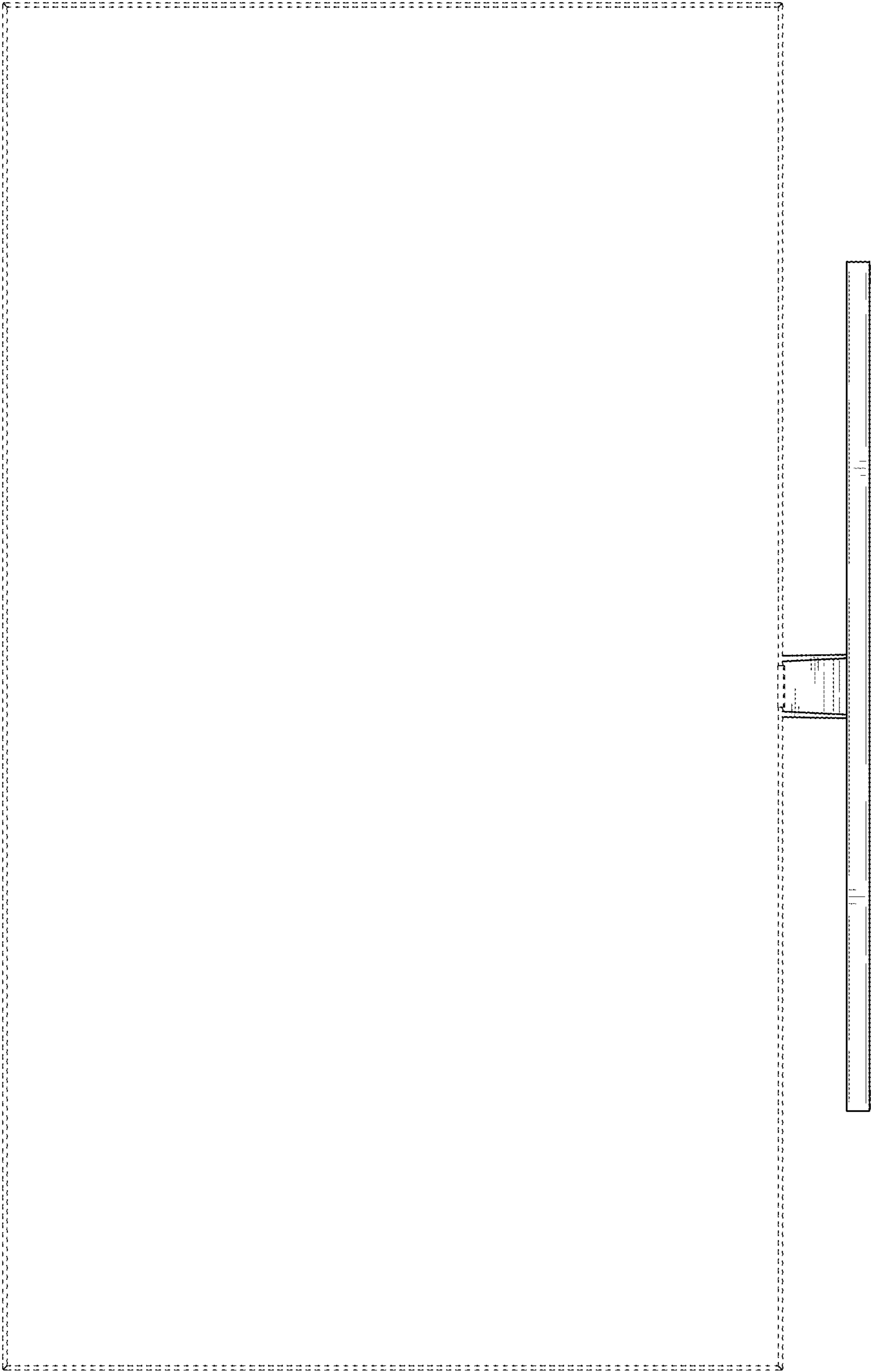


FIG. 3

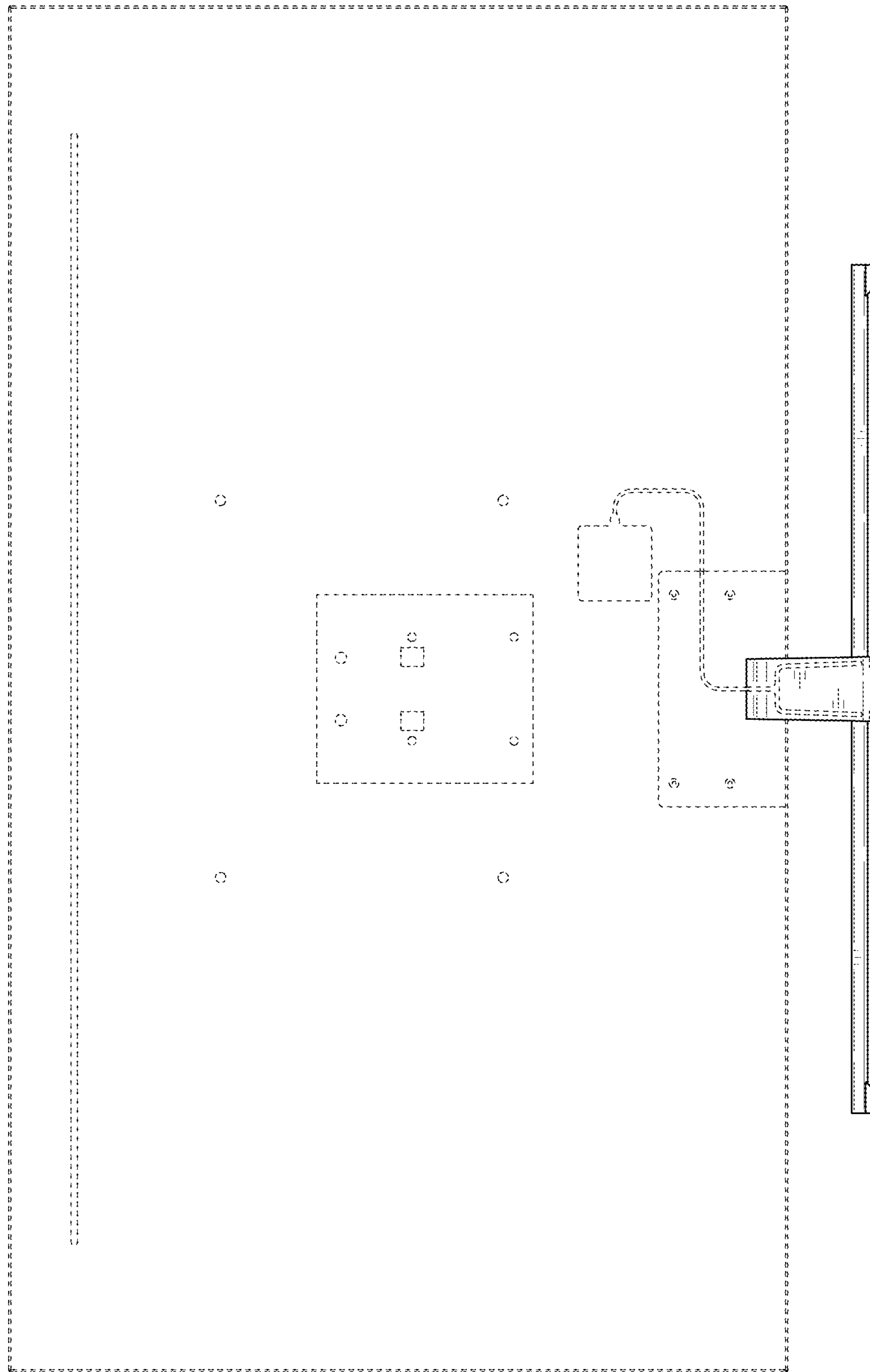


FIG. 5

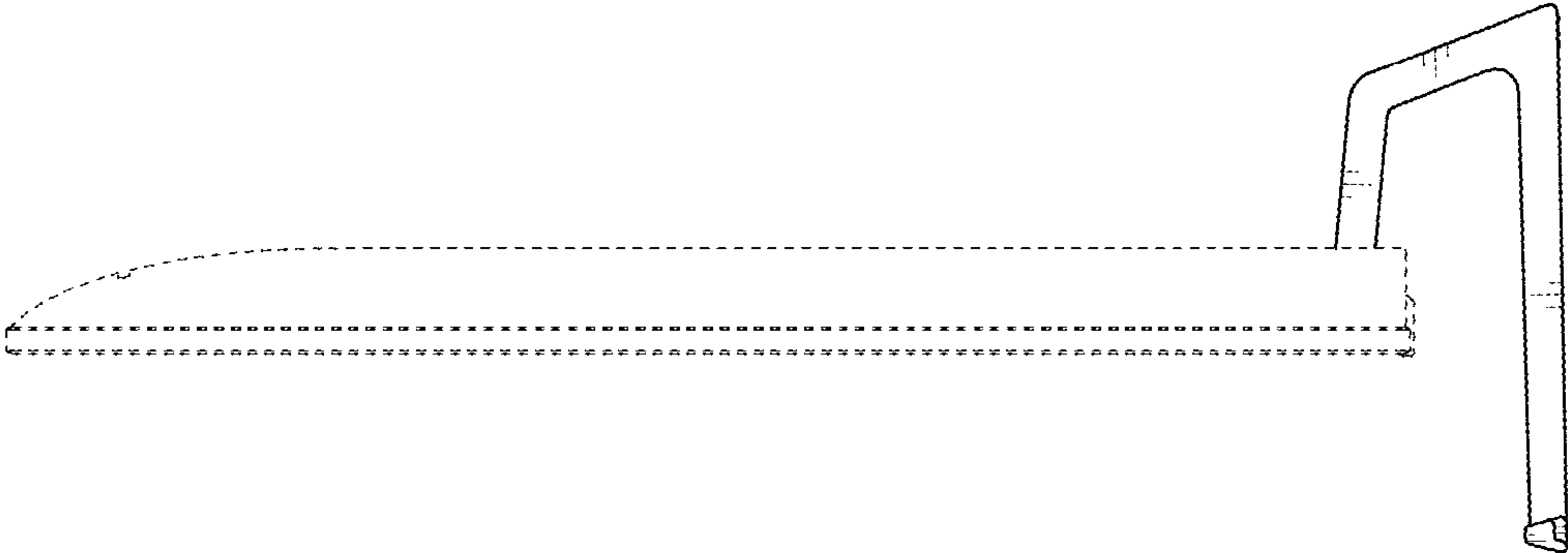


FIG. 4

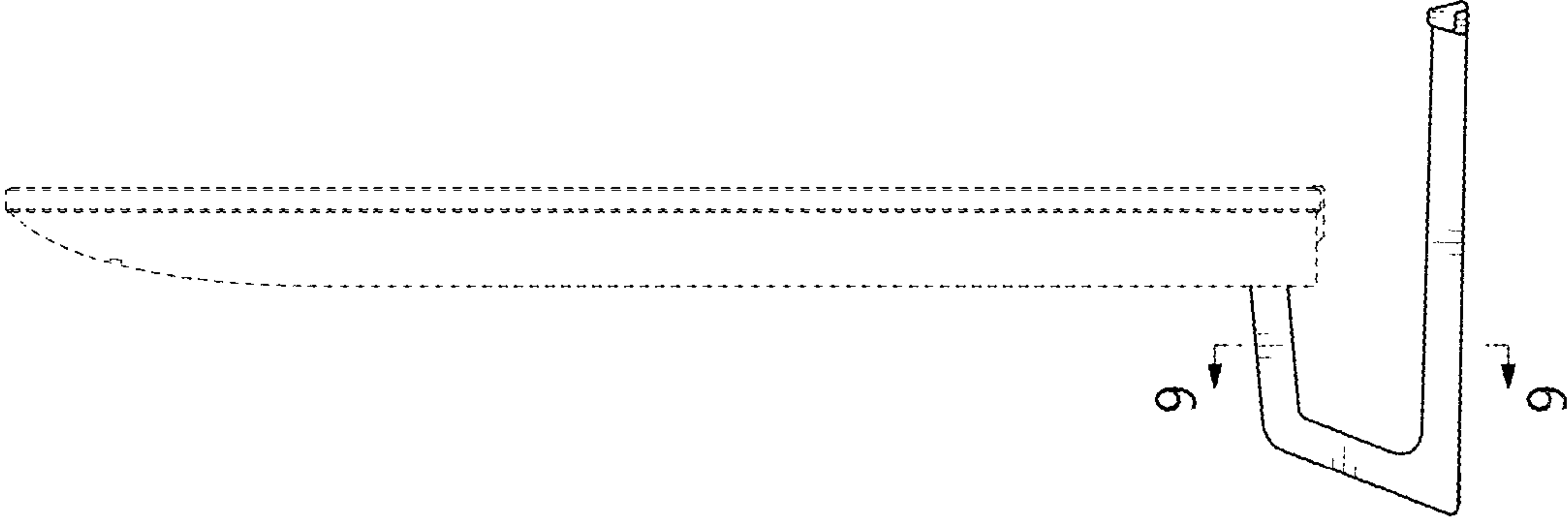




FIG. 6

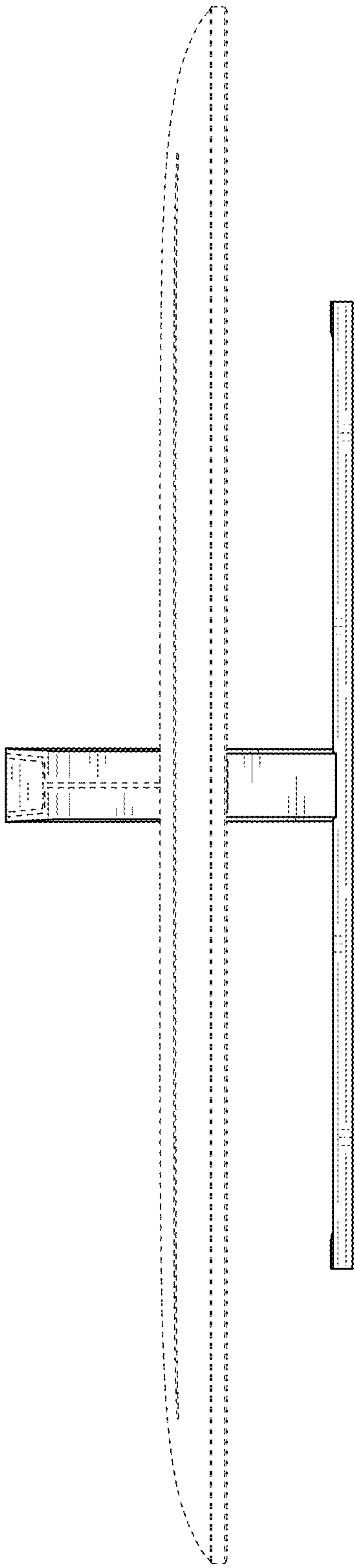


FIG. 7

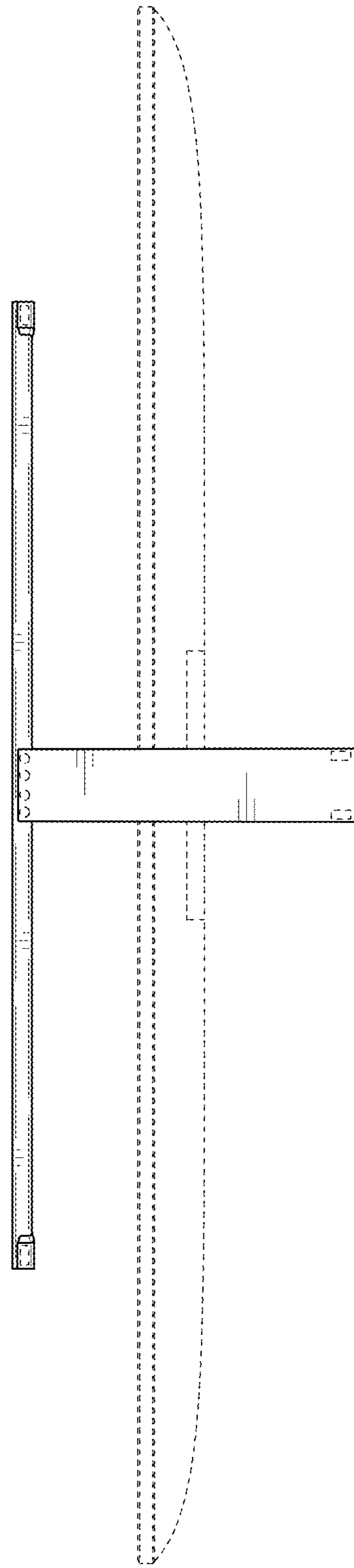


FIG. 8

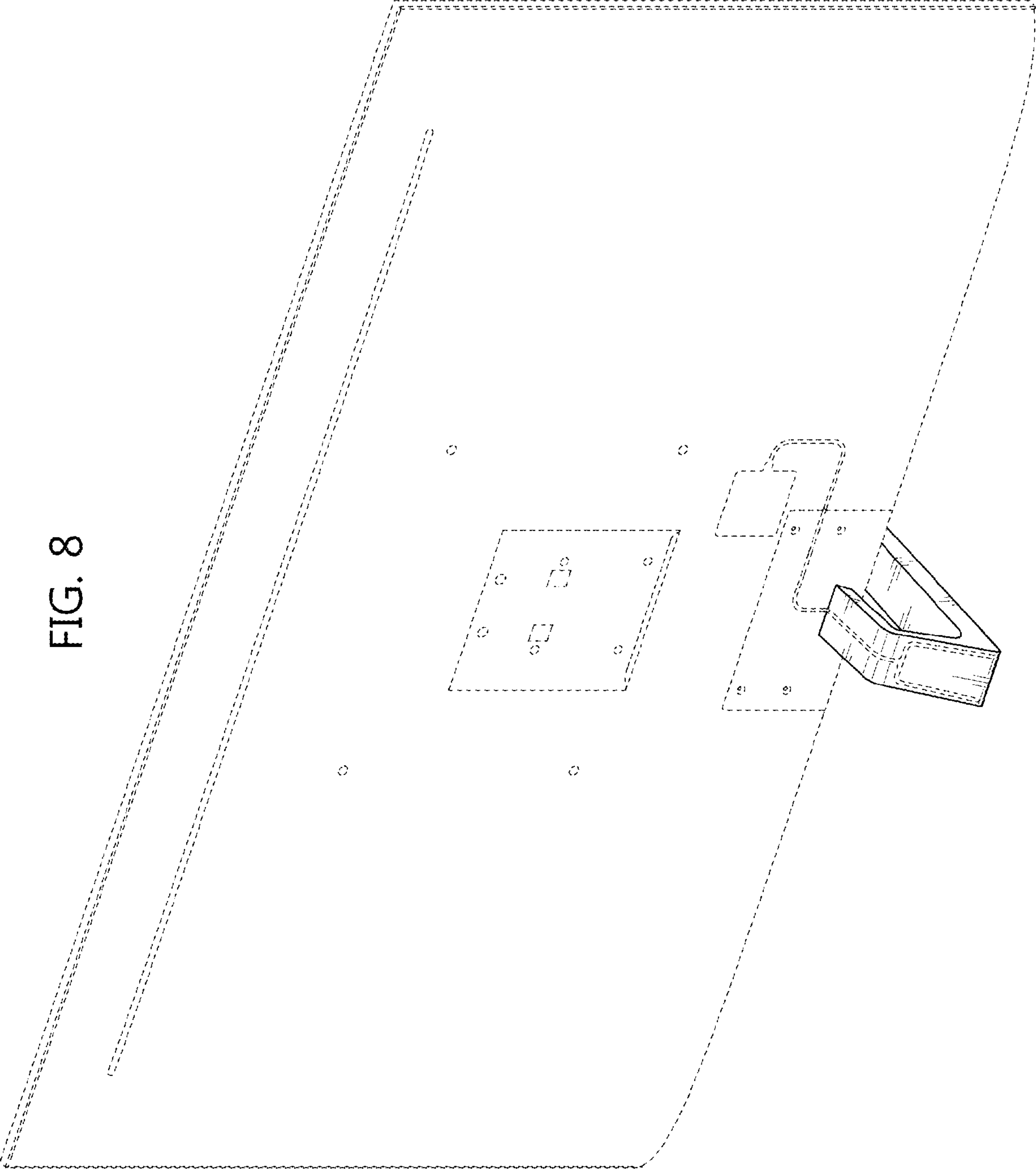




FIG. 9

