



US00D930605S

(12) **United States Design Patent**
Diao et al.

(10) **Patent No.:** **US D930,605 S**

(45) **Date of Patent:** **** Sep. 14, 2021**

(54) **TELEVISION**

5/0204; H05K 5/0017; H05K 5/0217;
H04N 5/64; H04N 5/232411; H04M
1/0266; H04R 5/02

(71) Applicant: **Shenzhen Chuangwei-RGB
Electronics Co., Ltd, Shenzhen (CN)**

See application file for complete search history.

(72) Inventors: **Yonghong Diao, Shenzhen (CN);
Liyuan Peng, Shenzhen (CN);
Xiangcheng Liu, Shenzhen (CN);
Xiaohui Zhang, Shenzhen (CN);
Shuxiao Wei, Shenzhen (CN)**

(56) **References Cited**

U.S. PATENT DOCUMENTS

5,529,274 A * 6/1996 Anderson B66D 3/18
248/329
D478,634 S * 8/2003 Whitworth D20/43

(Continued)

(73) Assignee: **Shenzhen Chuangwei-RGB
Electronics Co., Ltd, Shenzhen (CN)**

Primary Examiner — Ramzi Almatrahi

Assistant Examiner — Charles Cunningham

(**) Term: **15 Years**

(74) *Attorney, Agent, or Firm* — Banner & Witcoff, Ltd.

(21) Appl. No.: **29/720,066**

(57) **CLAIM**

The ornamental design for a television, as shown and described.

(22) Filed: **Jan. 9, 2020**

(30) **Foreign Application Priority Data**

DESCRIPTION

Jul. 9, 2019 (CN) 201930362329.6

(51) **LOC (13) Cl.** **14-03**

(52) **U.S. Cl.**
USPC **D14/126**

(58) **Field of Classification Search**
USPC D14/125–138, 138 AD, 138 G, 138 R,
D14/204, 239, 248, 314–316, 322, 326,
D14/334–336, 339, 340, 345, 341, 371,
D14/373–377, 448–450; D20/42, 43;
D21/324, 329, 332, 515; D6/300, 308,
D6/310, 314, 320, 332, 553, 642–643,
D6/650.1, 653.15, 654.15, 657, 661, 675;
D16/229, 235, 241
CPC A47G 1/1686; B66D 3/18; G03B 21/58;
G03B 21/56; G03B 21/60; G09F
15/0025; G09F 7/18; G09F 9/301; G09G
3/3225; G06F 1/16; G06F 1/1601; G06F
1/1637; G06F 1/1605; G06F 1/162; G06F
1/1652; G06F 1/69; G06F 1/1615; H05K

FIG. 1 is a top, front and right side perspective view of a television;

FIG. 2 is a bottom, rear and right side perspective view thereof;

FIG. 3 is a front elevational view thereof;

FIG. 4 is a rear elevational view thereof;

FIG. 5 is a left side elevational view thereof;

FIG. 6 is a right side elevational view thereof;

FIG. 7 is a top plan view thereof;

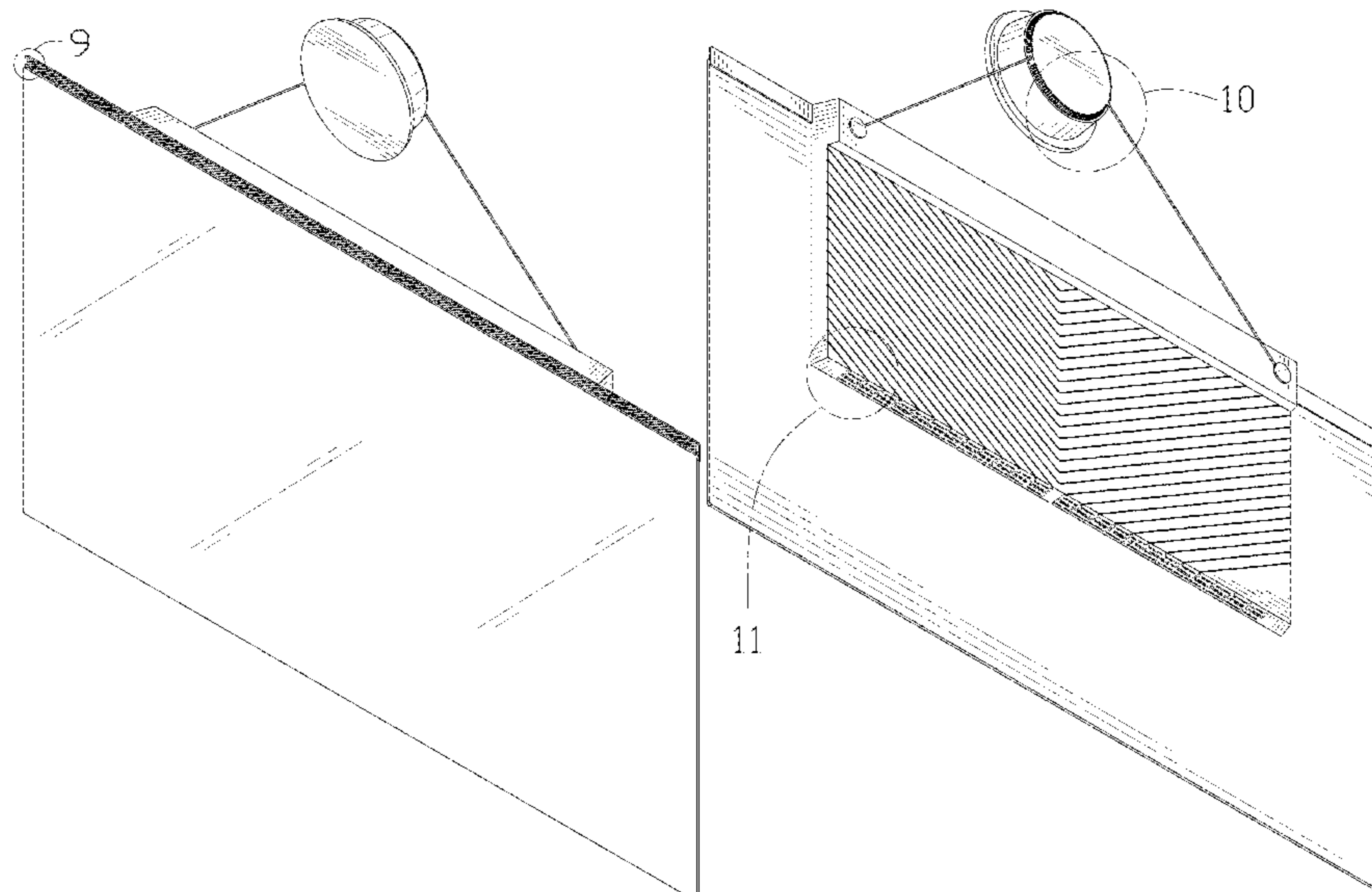
FIG. 8 is a bottom plan view thereof;

FIG. 9 is an enlarged view of portion 9 shown in FIG. 1;

FIG. 10 is an enlarged view of portion 10 shown in FIG. 2; and,

FIG. 11 is an enlarged view of portion 11 shown in FIG. 2. The broken lines depict portions of the television in which the design is embodied that form no part of the claimed design. The dot-dash broken lines encircling an enlargement portion of the design form no part of the claimed design.

1 Claim, 11 Drawing Sheets



(56)

References Cited

U.S. PATENT DOCUMENTS

6,634,610	B1	*	10/2003	Ricci	G09F 7/18 242/378
D622,322	S	*	8/2010	Hussain	D20/42
D624,082	S	*	9/2010	Liu	D14/449
D765,048	S	*	8/2016	Kim	D14/126
D807,847	S	*	1/2018	Ahn	D14/126
D811,356	S	*	2/2018	Won	D14/126
D852,153	S	*	6/2019	Kim	D14/126
D852,276	S	*	6/2019	Lim	D20/43
D886,815	S	*	6/2020	Cha	D14/248
D916,041	S	*	4/2021	Wang	D14/126
2004/0250458	A1	*	12/2004	Kim	G09F 15/0025 40/617

* cited by examiner

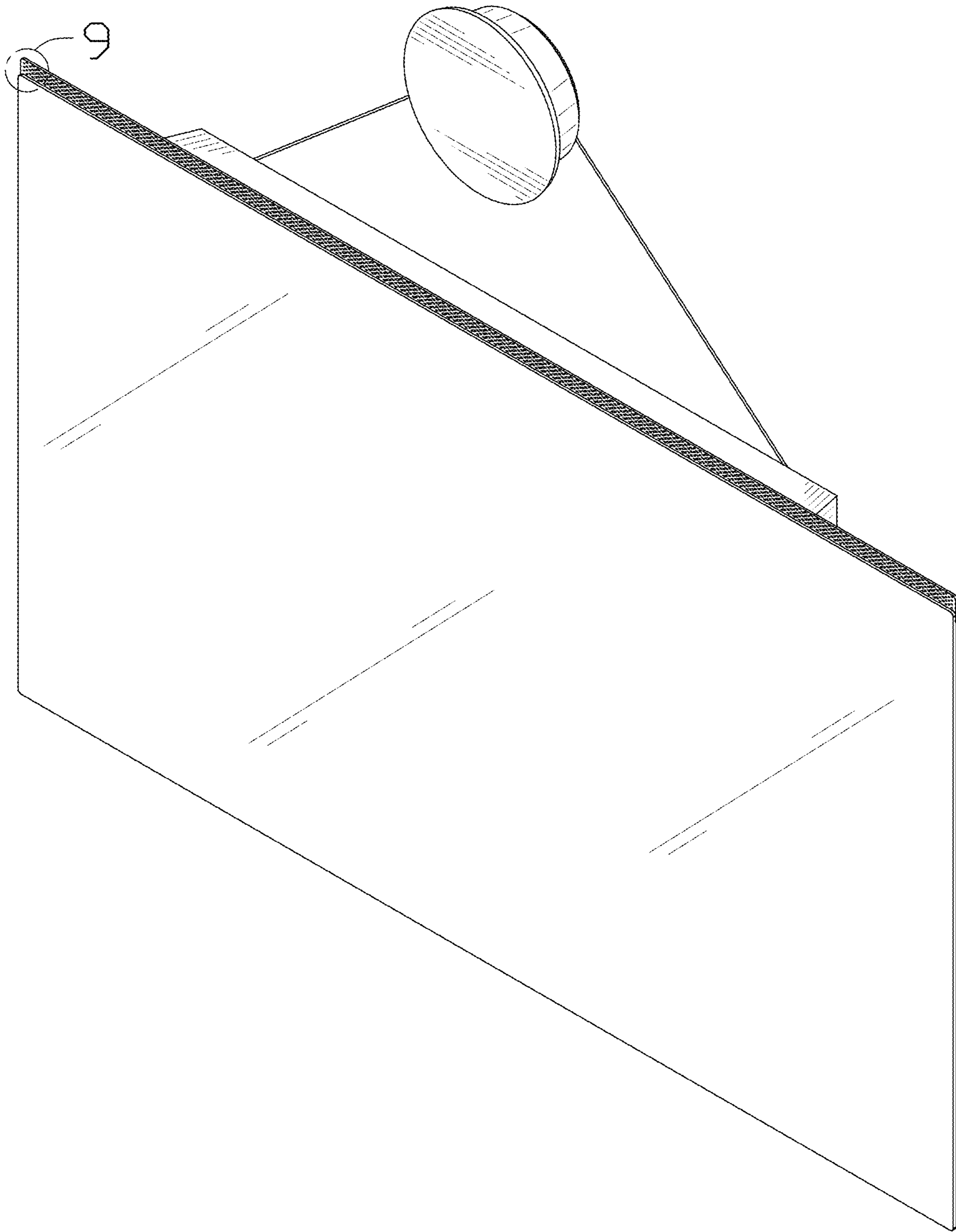


FIG. 1

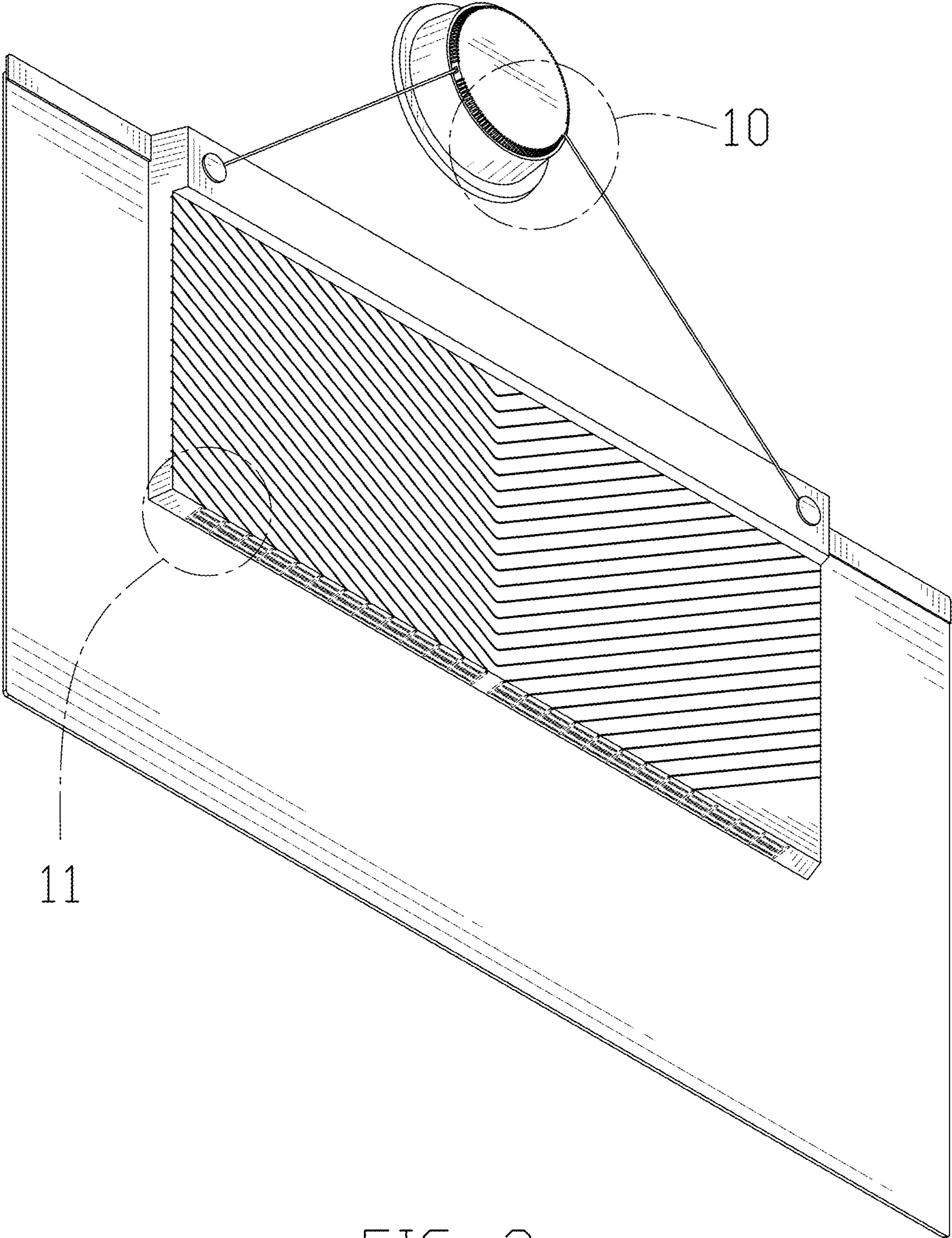


FIG. 2

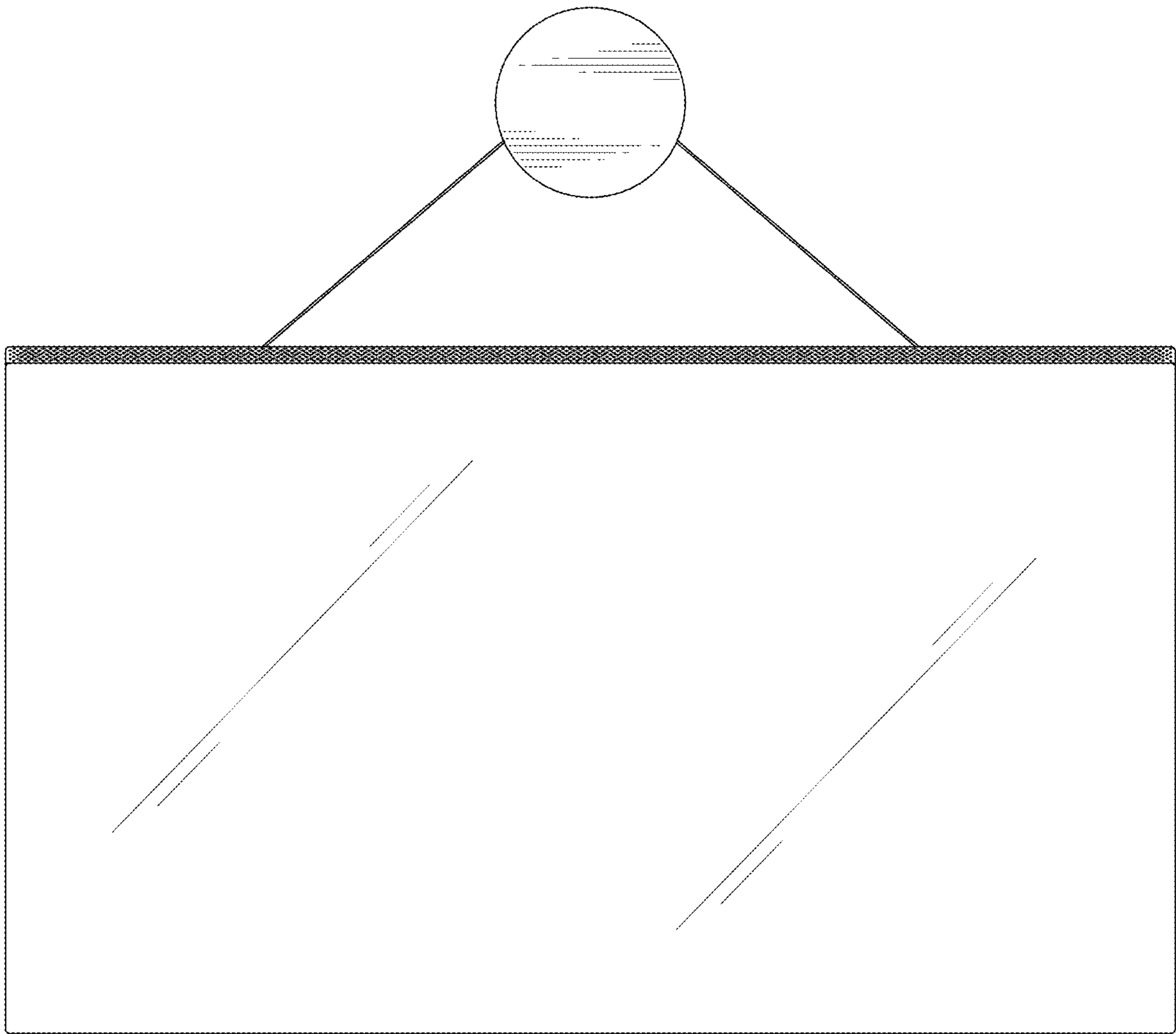


FIG. 3

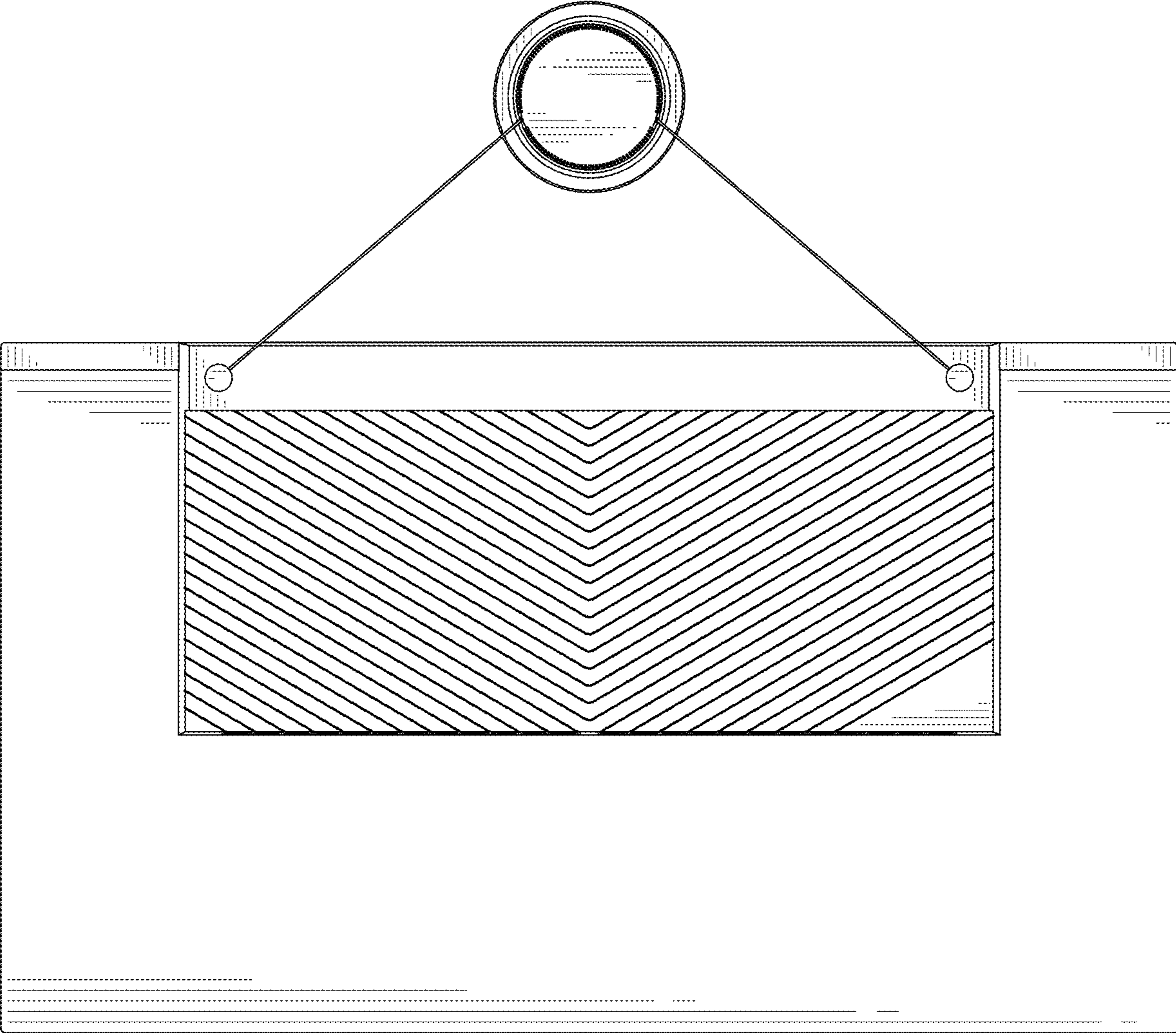


FIG. 4

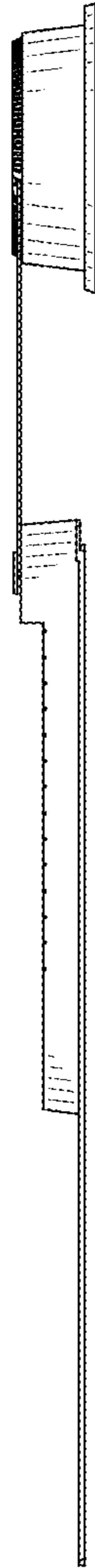


FIG. 5

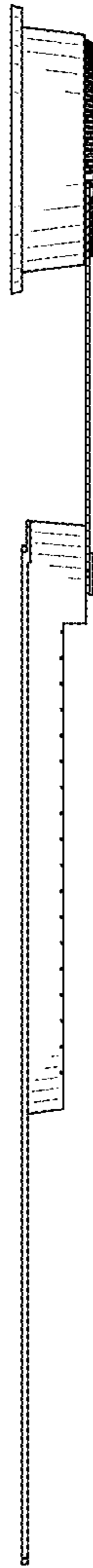


FIG. 6



FIG. 7



FIG. 8

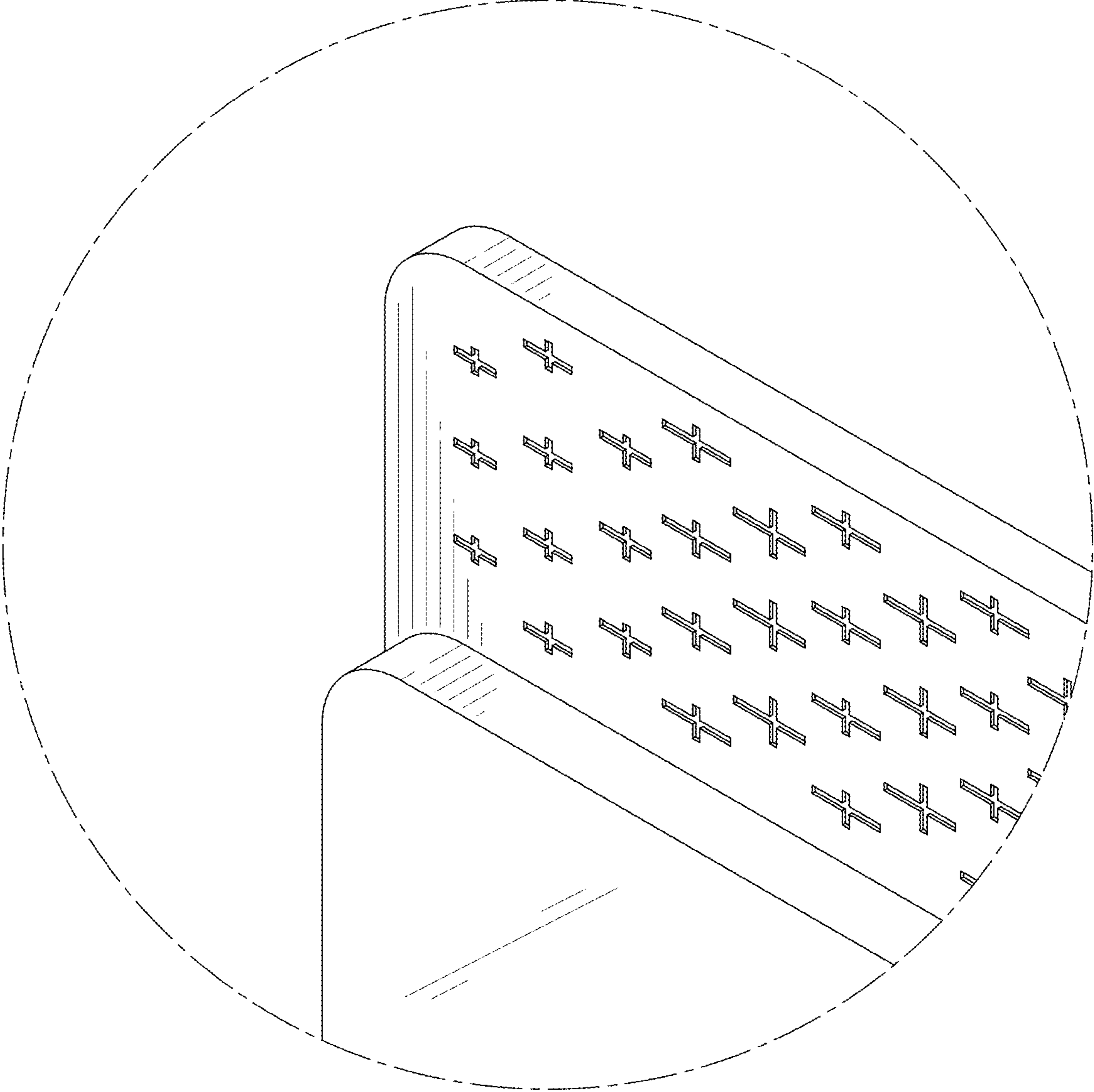


FIG. 9

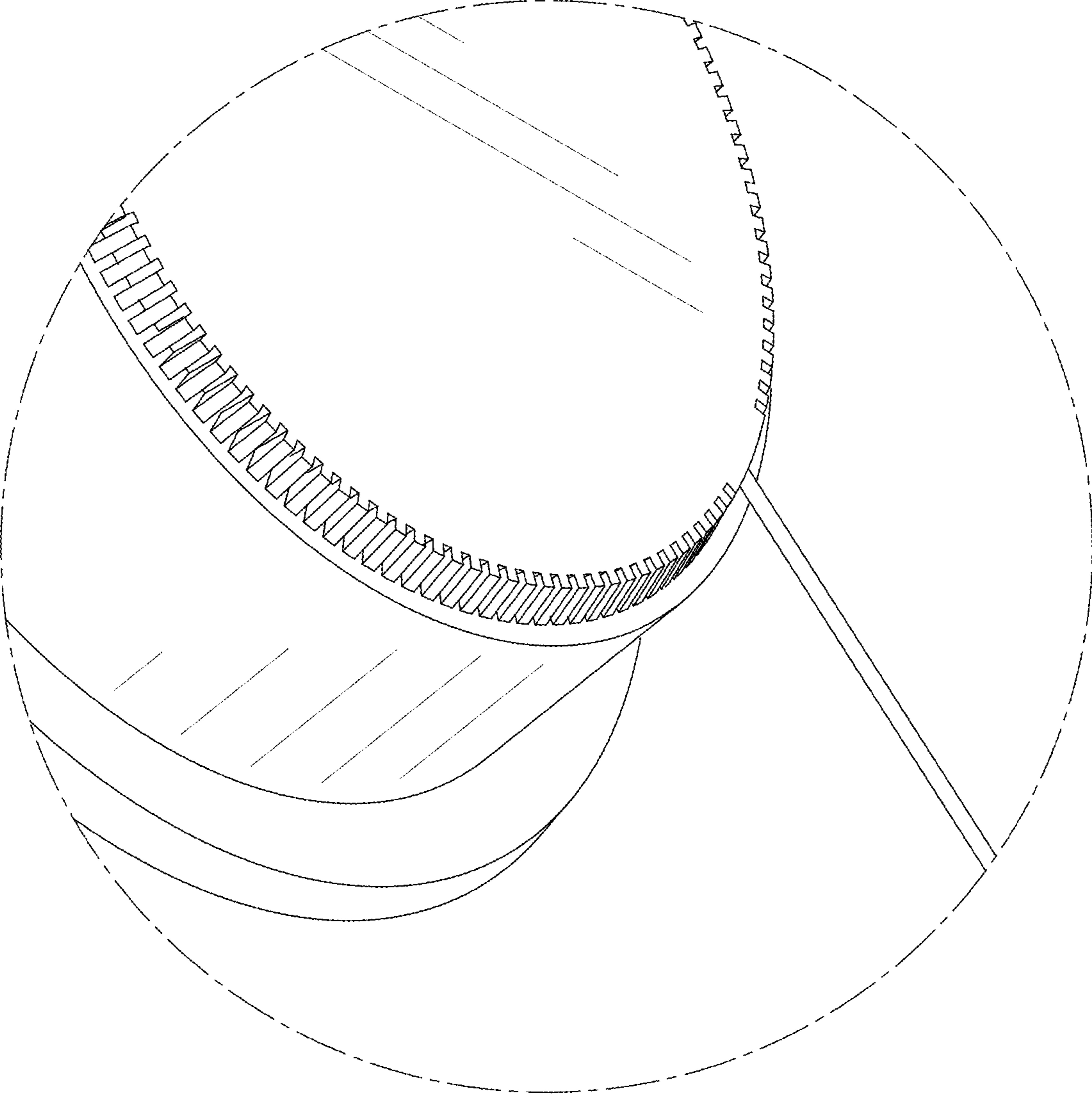


FIG. 10

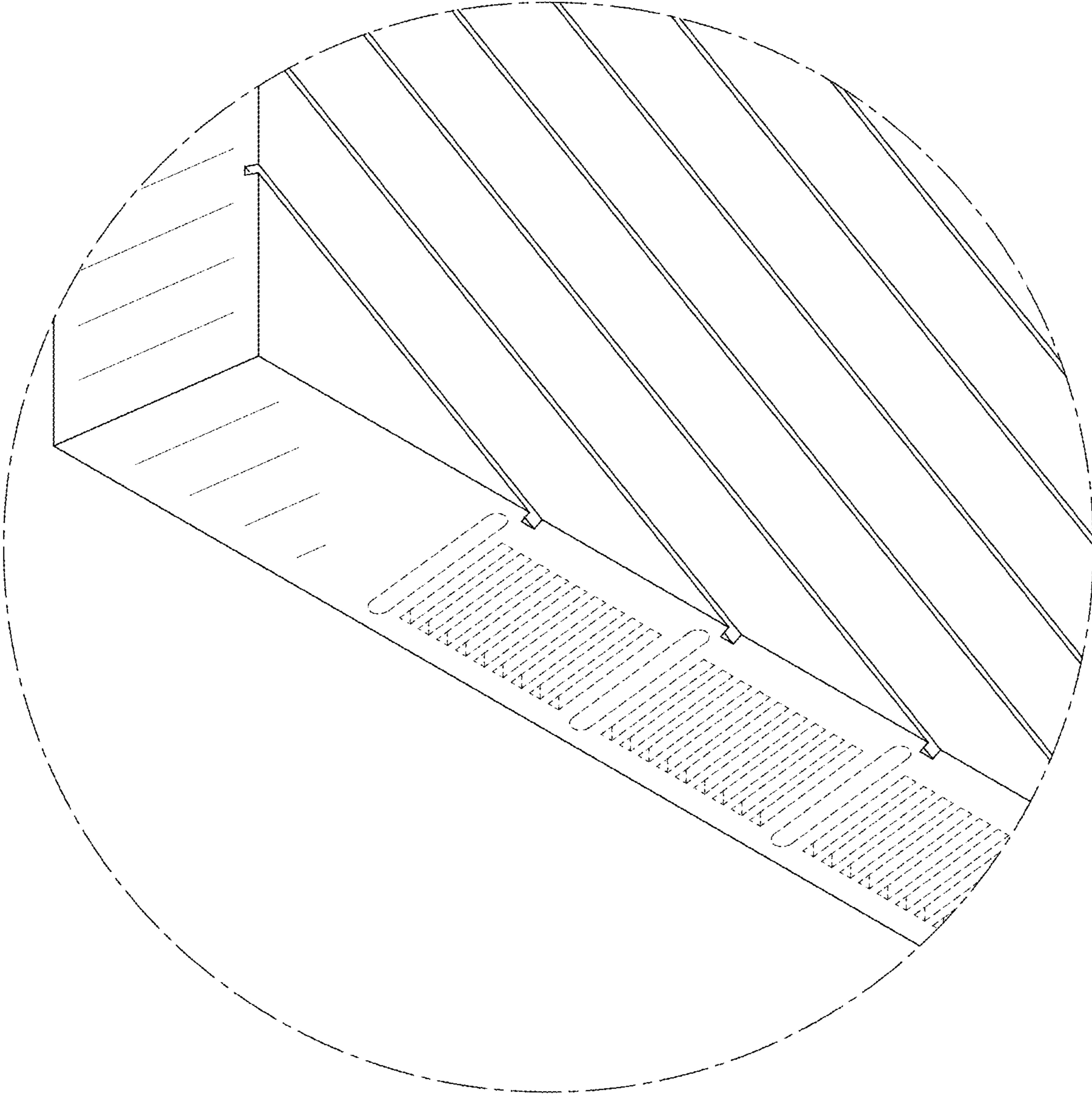


FIG. 11