

US00D930604S

(12) **United States Design Patent**  
**Pyo et al.**

(10) **Patent No.:** **US D930,604 S**

(45) **Date of Patent:** **\*\* Sep. 14, 2021**

(54) **TELEVISION WITH ROLLABLE DISPLAY**

(71) Applicant: **LG ELECTRONICS INC.**, Seoul (KR)

(72) Inventors: **Jonggil Pyo**, Seoul (KR); **Jaeyong Kim**, Seoul (KR)

(73) Assignee: **LG Electronics Inc.**, Seoul (KR)

(\*\*) Term: **15 Years**

(21) Appl. No.: **29/715,737**

(22) Filed: **Dec. 4, 2019**

(30) **Foreign Application Priority Data**

Jun. 4, 2019 (KR) ..... 30-2019-0026620

(51) **LOC (13) Cl.** ..... **14-03**

(52) **U.S. Cl.**  
USPC ..... **D14/126**

(58) **Field of Classification Search**  
USPC ..... D14/125-134, 136, 239, 305, 307,  
D14/314-316, 335, 336, 340, 371-377,  
D14/448-451; D20/10, 17, 18, 19, 21,  
D20/27, 39, 41, 42, 99; D21/329, 332,  
D21/51; D6/308, 309  
CPC ..... G02B 6/0068; G06F 1/16; G06F 1/1601;  
G06F 1/1637; G06F 1/1643; H04N 5/64;  
H04N 5/66; H04N 5/655; H04N 7/00;  
H04N 9/3141; H04N 13/0459; H04N  
17/04; H04N 17/004; H04N 21/43637;  
H05K 5/0204; H05K 5/0004; H05K  
5/0017; H05K 5/0217; H05K 5/02  
See application file for complete search history.

(56) **References Cited**

**U.S. PATENT DOCUMENTS**

D650,765 S \* 12/2011 Ho ..... D14/126  
D745,481 S \* 12/2015 Kim ..... D14/126

D757,671 S \* 5/2016 Bouroullec ..... D14/126  
D761,221 S \* 7/2016 Kim ..... D14/126  
D807,844 S \* 1/2018 Kim ..... D14/126  
D813,832 S \* 3/2018 Kim ..... D14/126  
D818,977 S \* 5/2018 Kim ..... D14/126  
D887,379 S \* 6/2020 Cha ..... D14/126  
D887,380 S \* 6/2020 Lee ..... D14/126  
D901,411 S \* 11/2020 Kim ..... D14/126  
D912,637 S \* 3/2021 Lee ..... D14/126  
D915,316 S \* 4/2021 Cha ..... D14/126  
D916,041 S \* 4/2021 Wang ..... D14/126  
D918,854 S \* 5/2021 Pyo ..... D14/126

\* cited by examiner

*Primary Examiner* — Ramzi Almatrahi

*Assistant Examiner* — Charles Cunningham

(74) *Attorney, Agent, or Firm* — Birch, Stewart, Kolasch & Birch, LLP

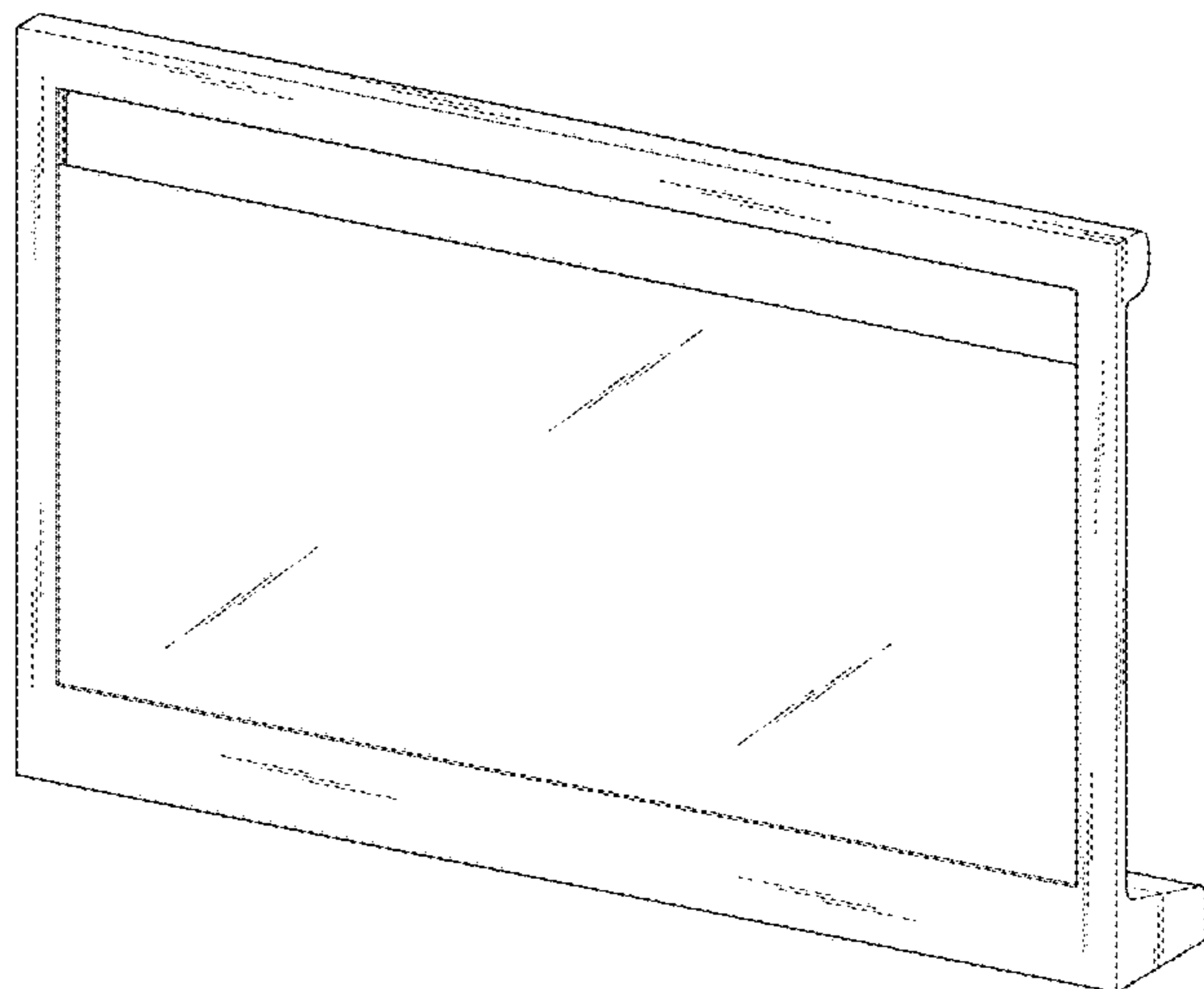
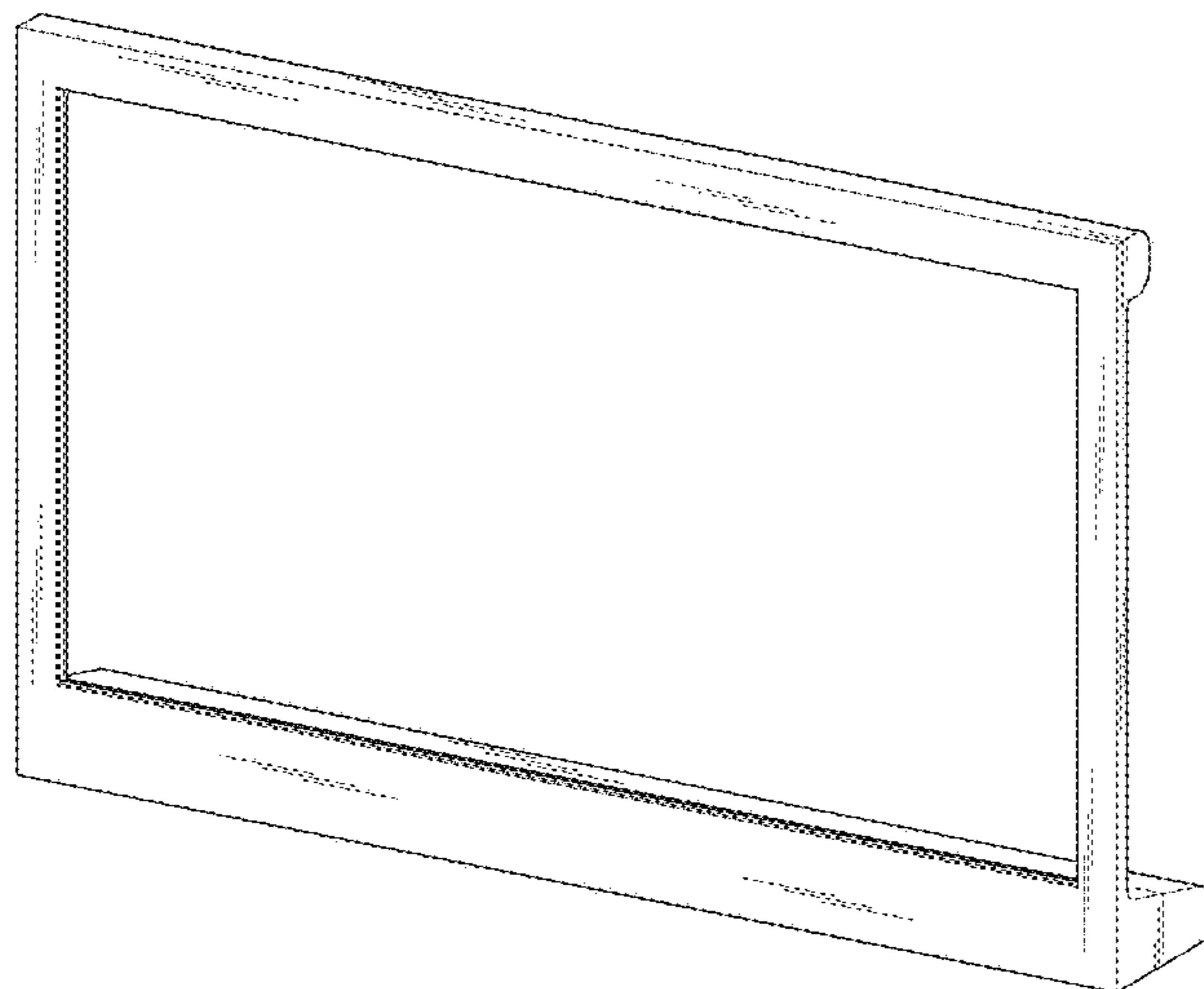
(57) **CLAIM**

We claim the ornamental design for a television with rollable display, as shown and described.

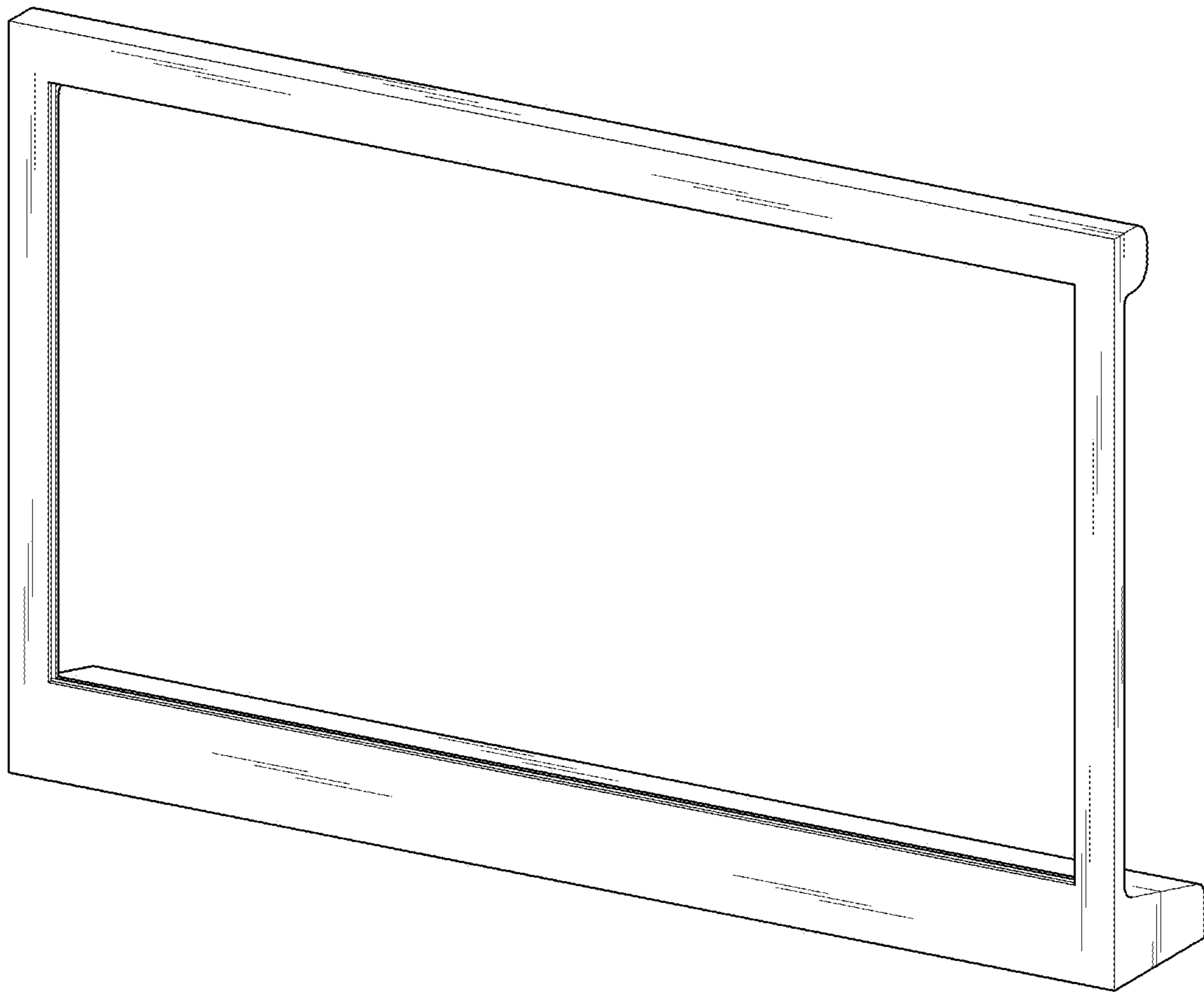
**DESCRIPTION**

FIG. 1 is a top, front and right side perspective view of a television with rollable display showing the new design; FIG. 2 is a front elevation view thereof; FIG. 3 is a rear elevation view thereof; FIG. 4 is a left-side elevation view thereof; FIG. 5 is a right-side elevation view thereof; FIG. 6 is a top plan view thereof; FIG. 7 is a bottom plan view thereof; FIG. 8 is a top, front and right side perspective view thereof, shown in condition of use with the lower display rolled up; and, FIG. 9 is a top, front and right side perspective view thereof, shown in condition of use with the upper display rolled down.

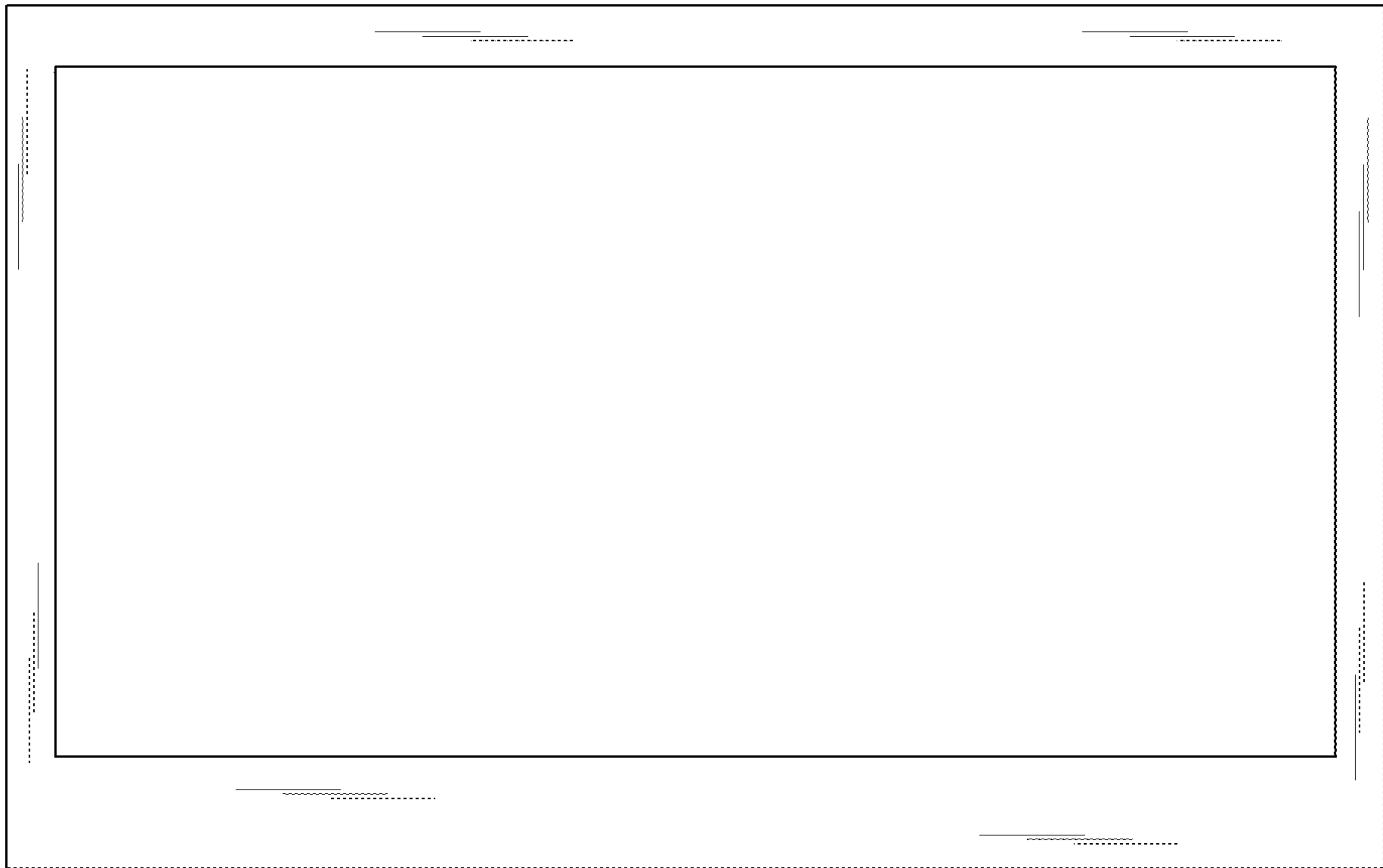
**1 Claim, 9 Drawing Sheets**



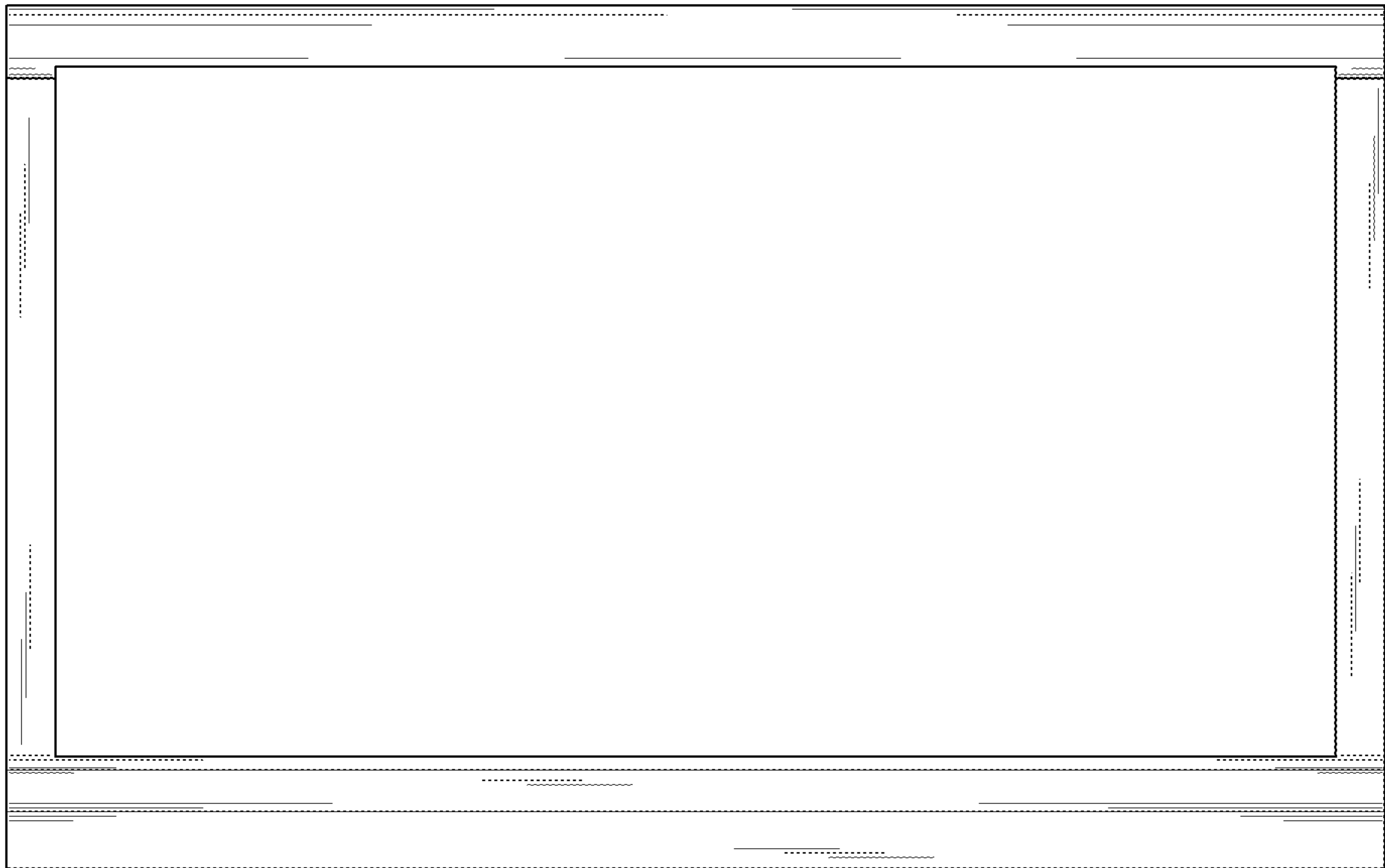
*FIG. 1*



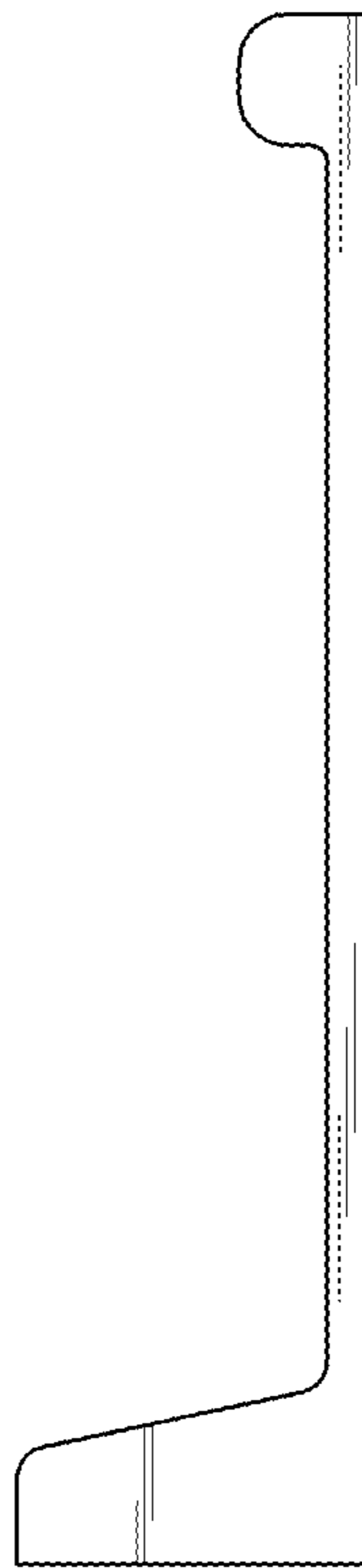
*FIG. 2*



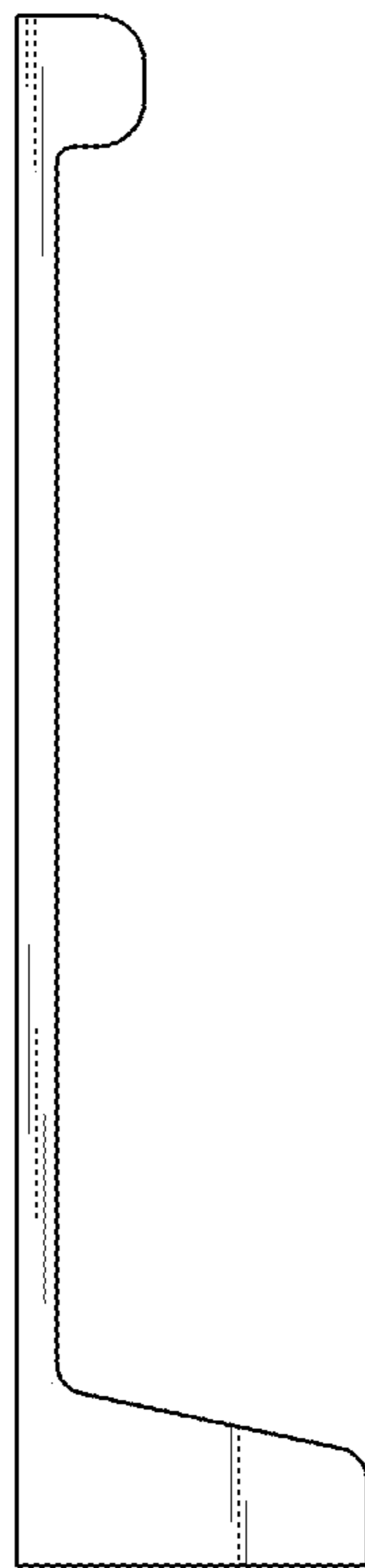
*FIG. 3*



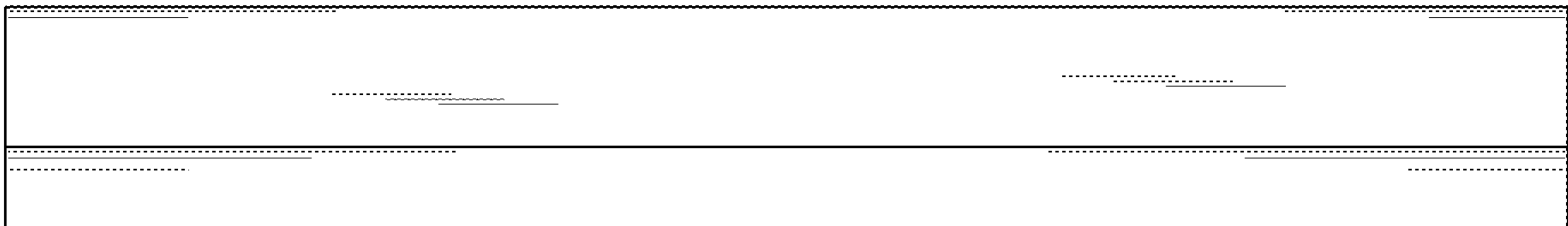
*FIG. 4*



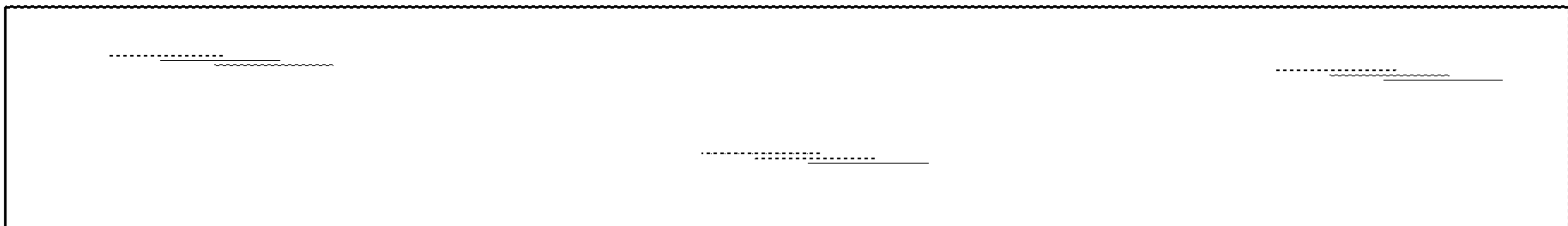
*FIG. 5*



*FIG. 6*

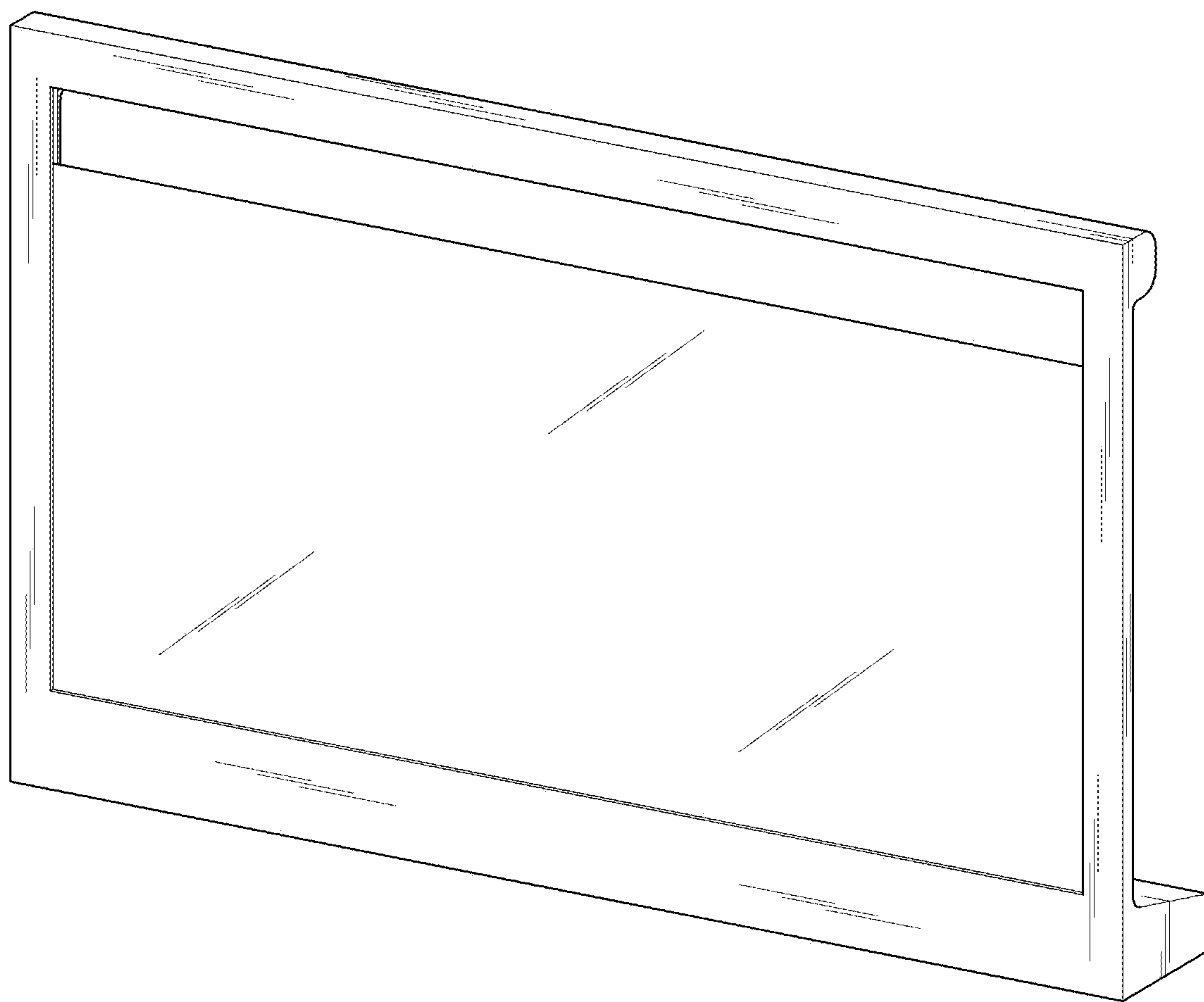


*FIG. 7*





*FIG. 8*



*FIG. 9*

