



US00D930600S

(12) **United States Design Patent**  
**Zhuang**

(10) **Patent No.:** **US D930,600 S**

(45) **Date of Patent:** **\*\* Sep. 14, 2021**

(54) **CONTROLLER**

(71) Applicant: **TIMOTION TECHNOLOGY CO., LTD.**, New Taipei (TW)

(72) Inventor: **Bing-Sen Zhuang**, New Taipei (TW)

(73) Assignee: **TIMOTION TECHNOLOGY CO., LTD.**, New Taipei (TW)

(\*\*) Term: **15 Years**

(21) Appl. No.: **29/747,675**

(22) Filed: **Aug. 24, 2020**

(51) **LOC (13) Cl.** ..... **13-03**

(52) **U.S. Cl.**  
USPC ..... **D13/171**

(58) **Field of Classification Search**  
USPC ..... D13/162, 164, 171, 173  
CPC ..... H01H 3/02; H01H 3/022; H01H 3/12;  
H01H 3/122; H01H 9/02; H01H 9/0235;  
H01H 13/023; H01H 13/04; H01H 13/06;  
H01H 13/063; H01H 13/10; H01H 13/12;  
H01H 13/14; H01H 13/36; H01H 13/70;  
H01H 13/86; H01H 21/24; A47C 1/0345;  
A47C 1/035; A47C 1/0355; A47C 7/506

See application file for complete search history.

(56) **References Cited**

**U.S. PATENT DOCUMENTS**

D662,065 S *	6/2012	Cook	.....	D13/168
8,766,115 B2 *	7/2014	Kristen	.....	H01H 13/86 200/5 A
D740,238 S *	10/2015	Dorn	.....	D13/174
D758,325 S *	6/2016	Cook	.....	D13/168
D758,326 S *	6/2016	Dorn	.....	D13/174
D758,975 S *	6/2016	Hunter	.....	D13/162

9,640,343 B2 *	5/2017	Koch	.....	A47C 7/62
D788,719 S *	6/2017	Li	.....	D13/174
9,804,632 B2 *	10/2017	Gassner	.....	G05G 1/02
D830,978 S *	10/2018	Seidl	.....	D13/171
D832,798 S *	11/2018	Seidl	.....	D13/162
D832,800 S *	11/2018	Li	.....	D13/171
D833,403 S *	11/2018	Seidl	.....	D13/162
2011/0198894 A1 *	8/2011	Hsieh	.....	A47C 1/0242 297/68
2014/0197666 A1 *	7/2014	Koch	.....	A47C 7/506 297/217.3
2014/0306505 A1 *	10/2014	Koch	.....	A47C 7/62 297/330
2020/0305609 A1 *	10/2020	Rains	.....	A47C 7/54
2021/0169234 A1 *	6/2021	Jacobs	.....	A47C 1/13

\* cited by examiner

*Primary Examiner* — Selina Sikder

(74) *Attorney, Agent, or Firm* — Chun-Ming Shih; HDLS IPR Services

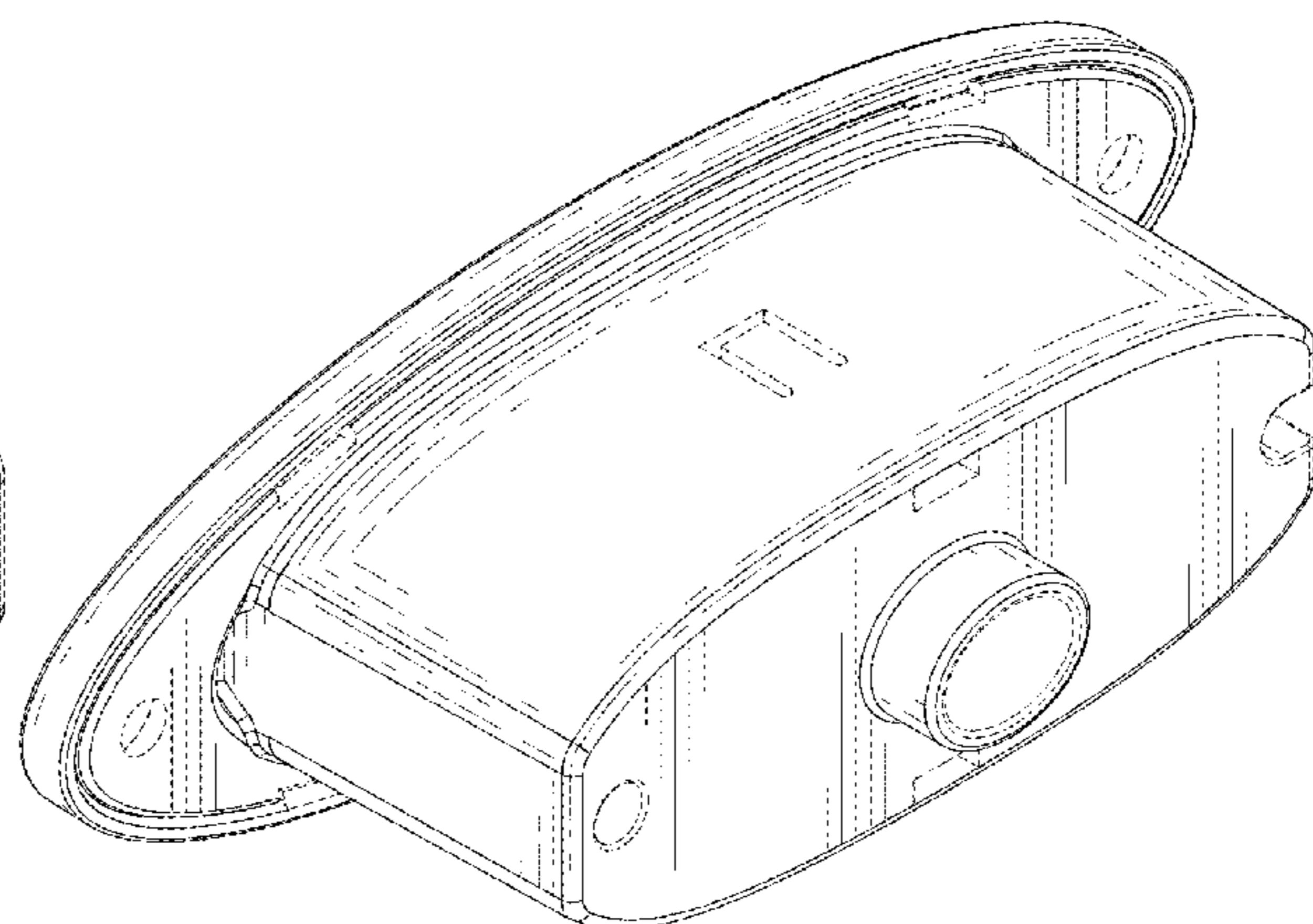
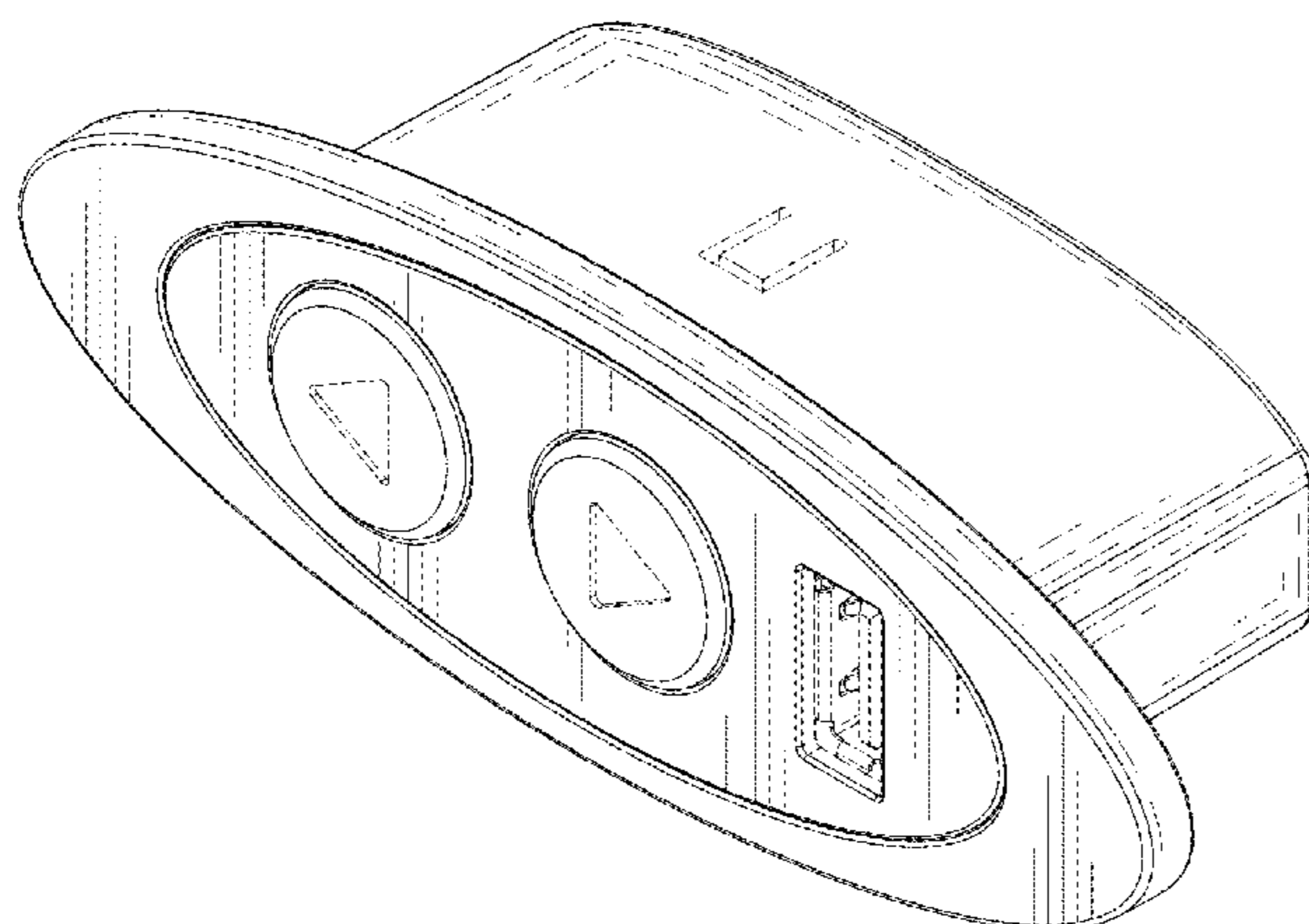
(57) **CLAIM**

The ornamental design for a controller, as shown and described.

**DESCRIPTION**

FIG. 1 is a perspective view of a controller showing my new design;  
FIG. 2 is a front view thereof;  
FIG. 3 is a rear view thereof;  
FIG. 4 is a left side view thereof;  
FIG. 5 is a right side view thereof;  
FIG. 6 is a top view thereof;  
FIG. 7 is a bottom view thereof; and,  
FIG. 8 is a second perspective view showing the controller.  
The broken lines in the drawings illustrate portions of the controller that form no part of the claimed design.

**1 Claim, 8 Drawing Sheets**



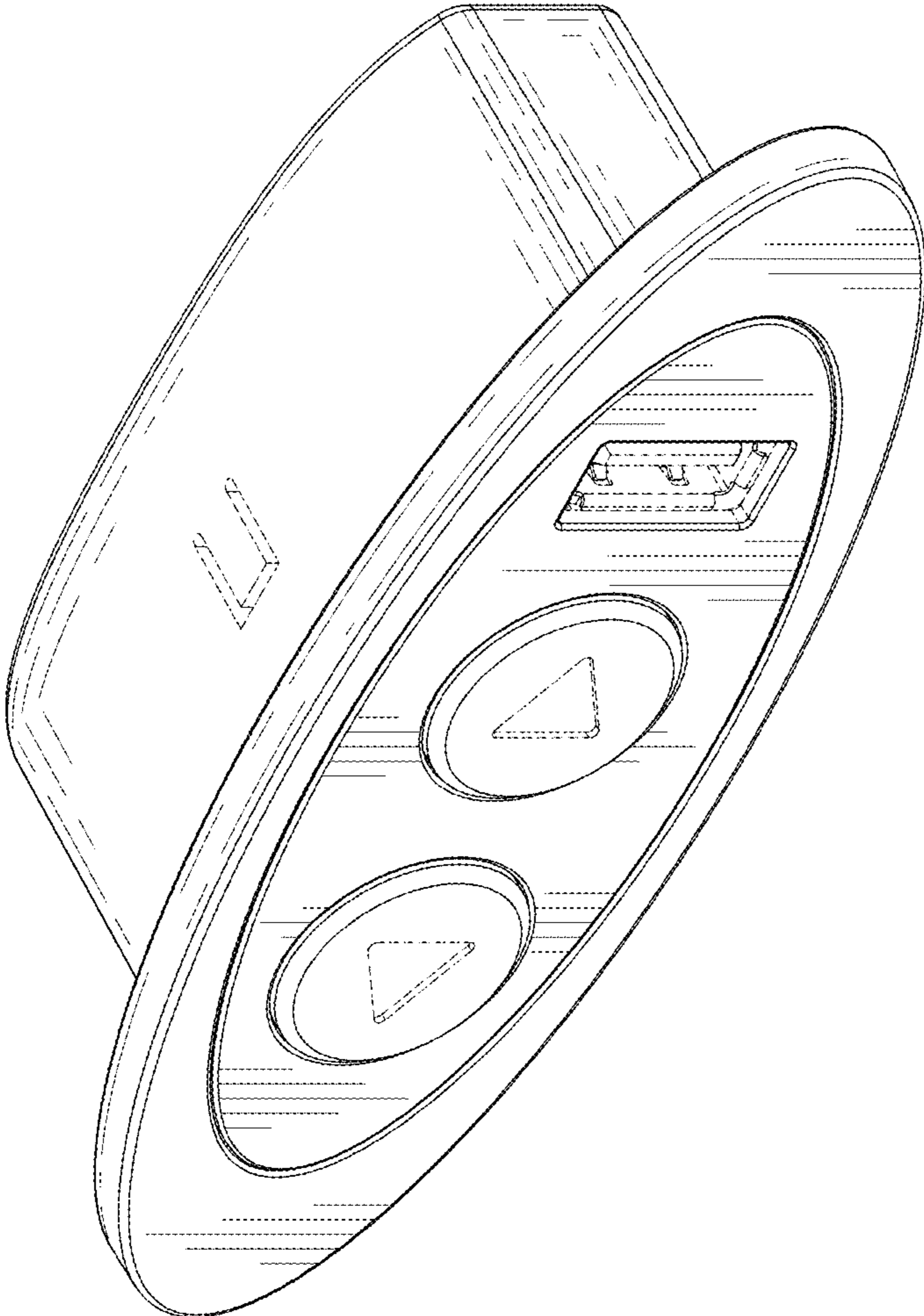


FIG.1

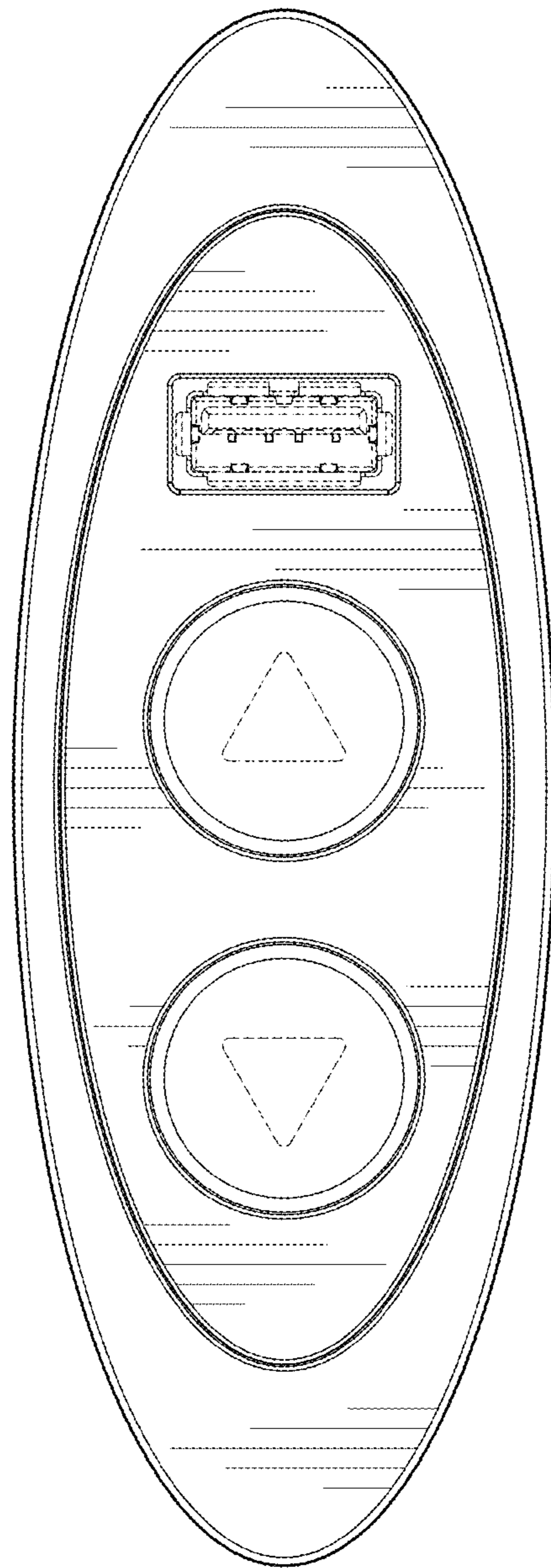


FIG.2

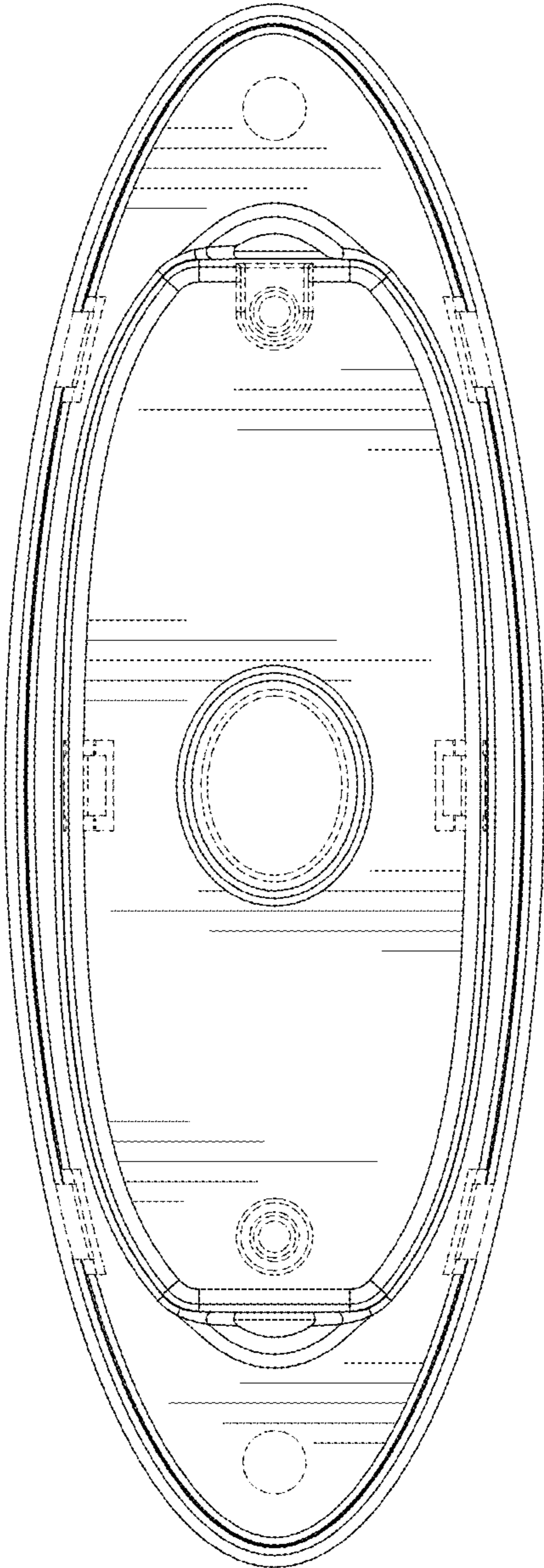


FIG.3



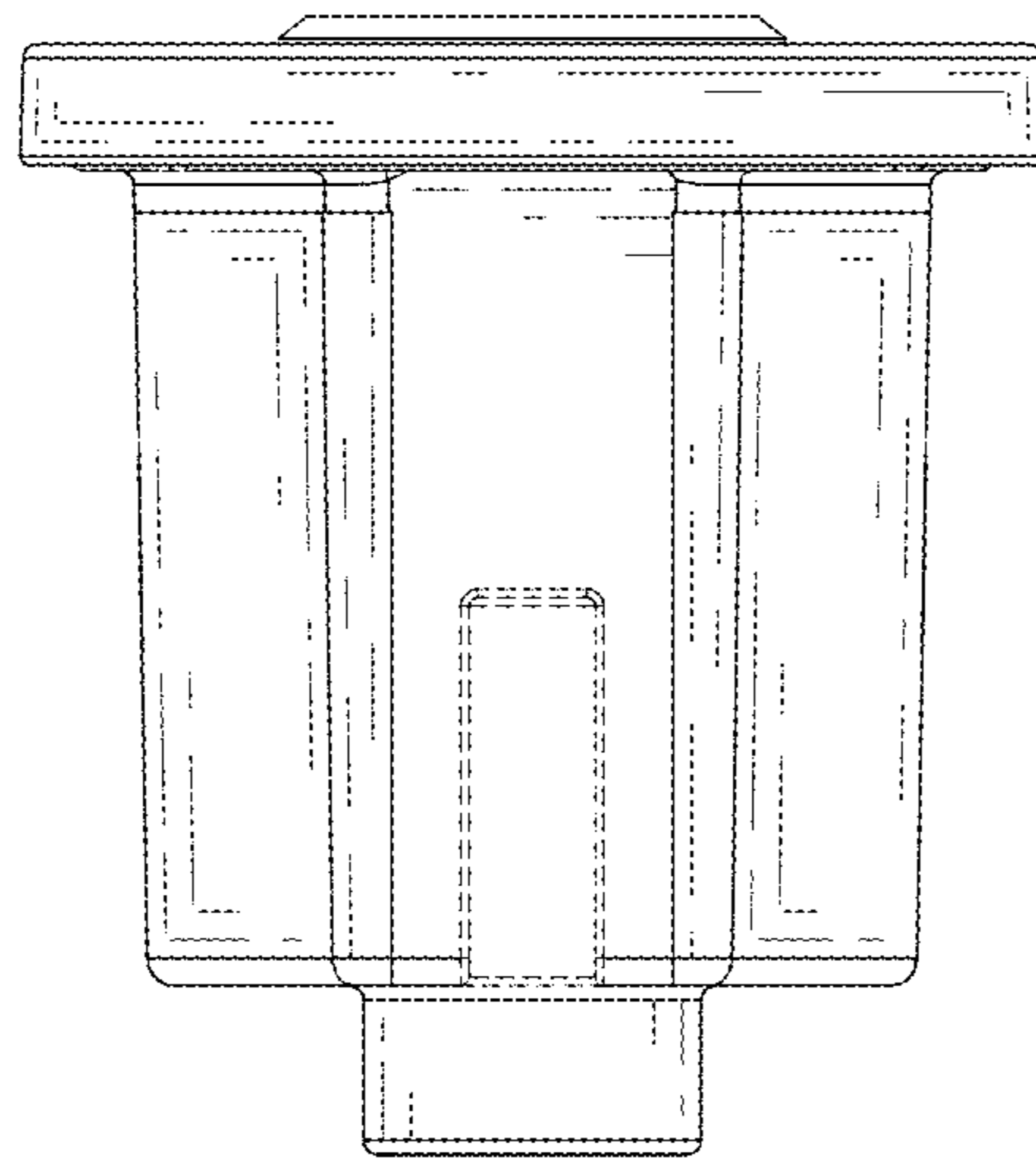


FIG.4

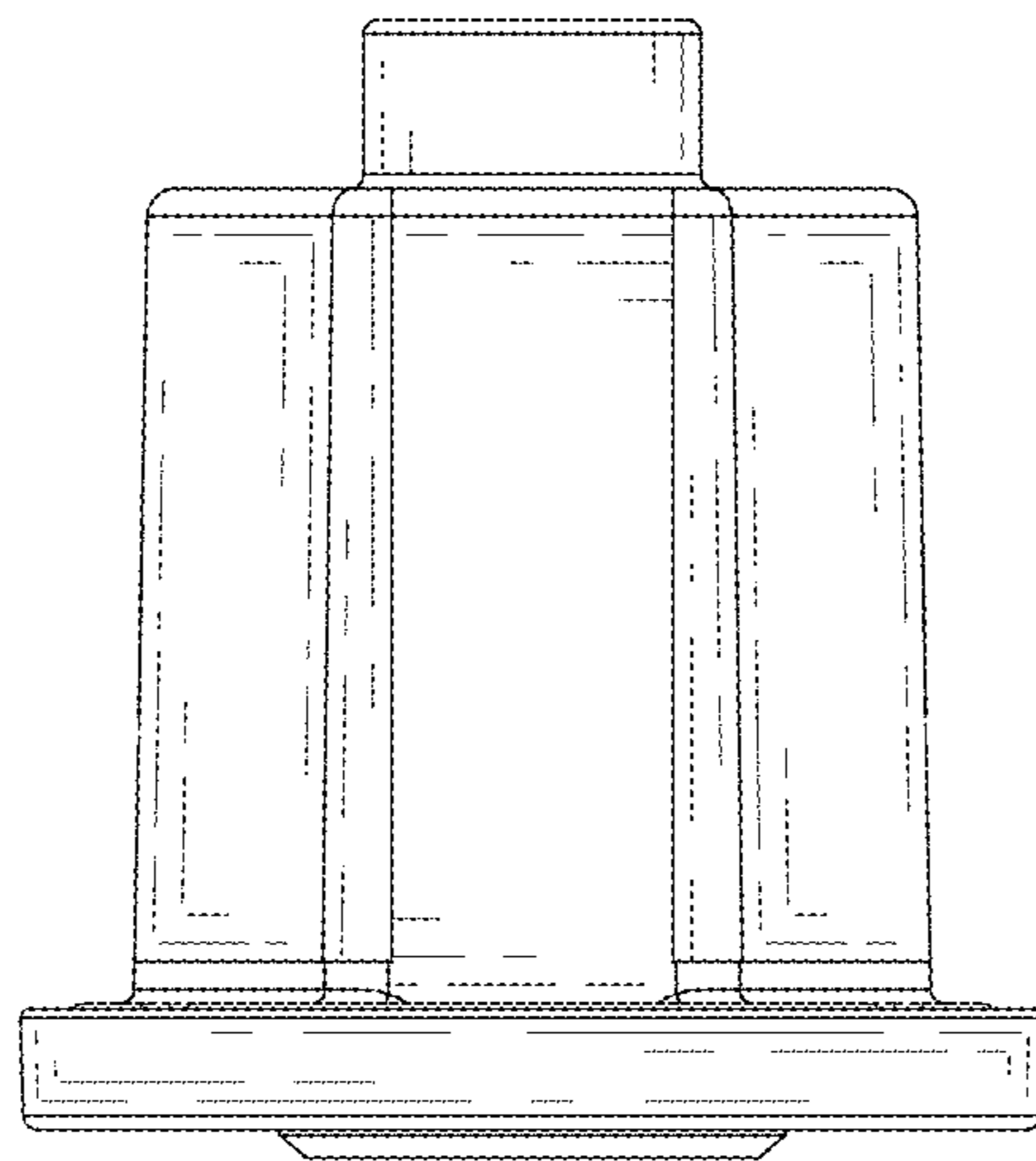


FIG.5

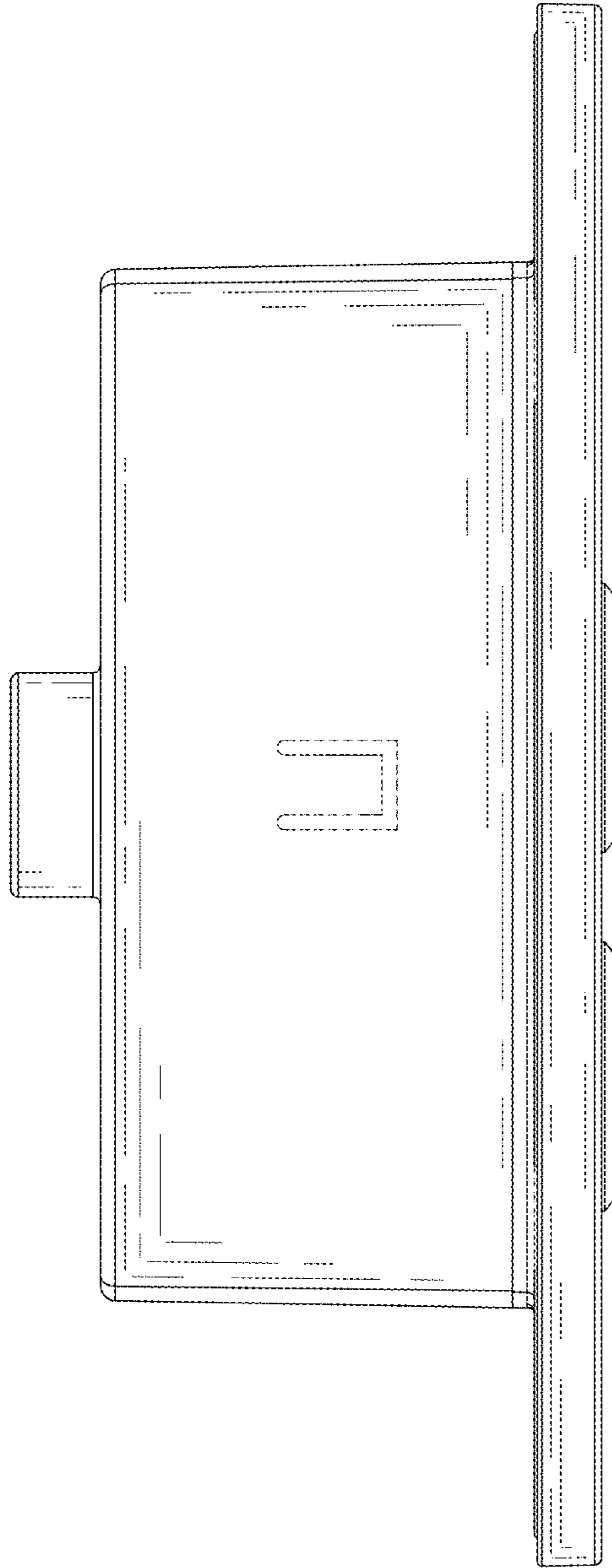


FIG.6

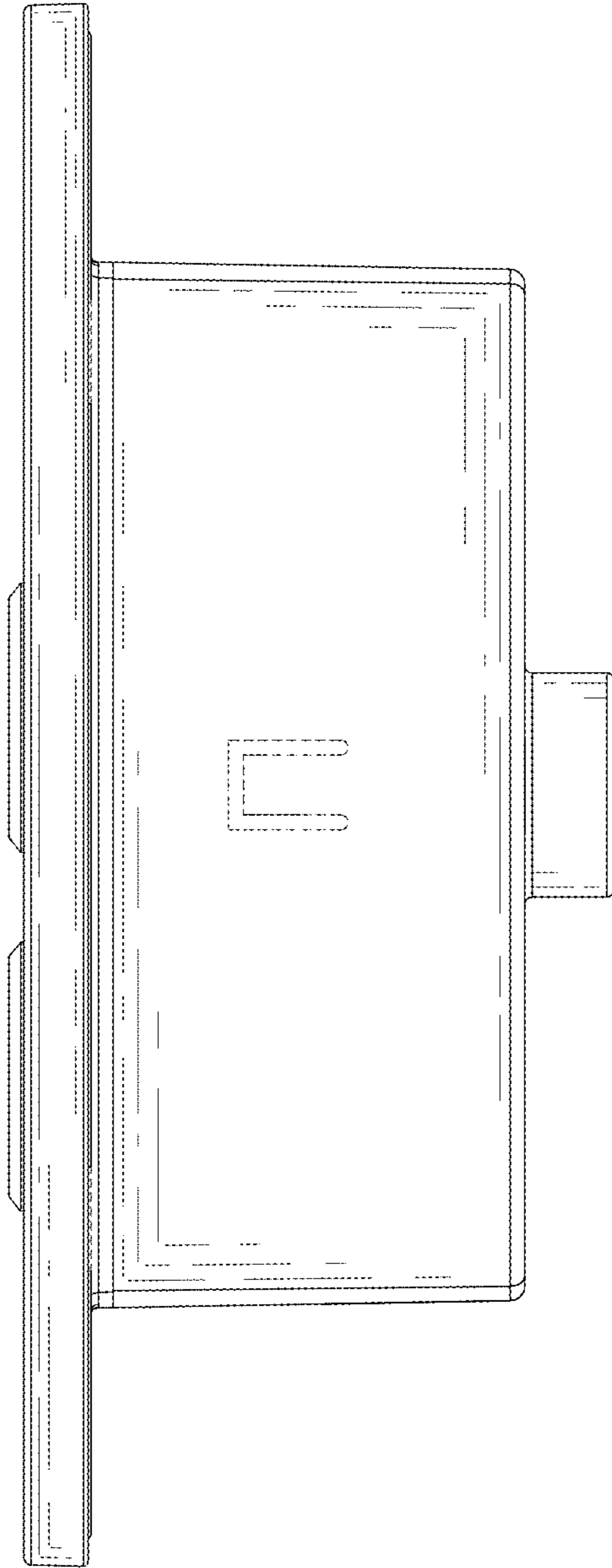


FIG.7



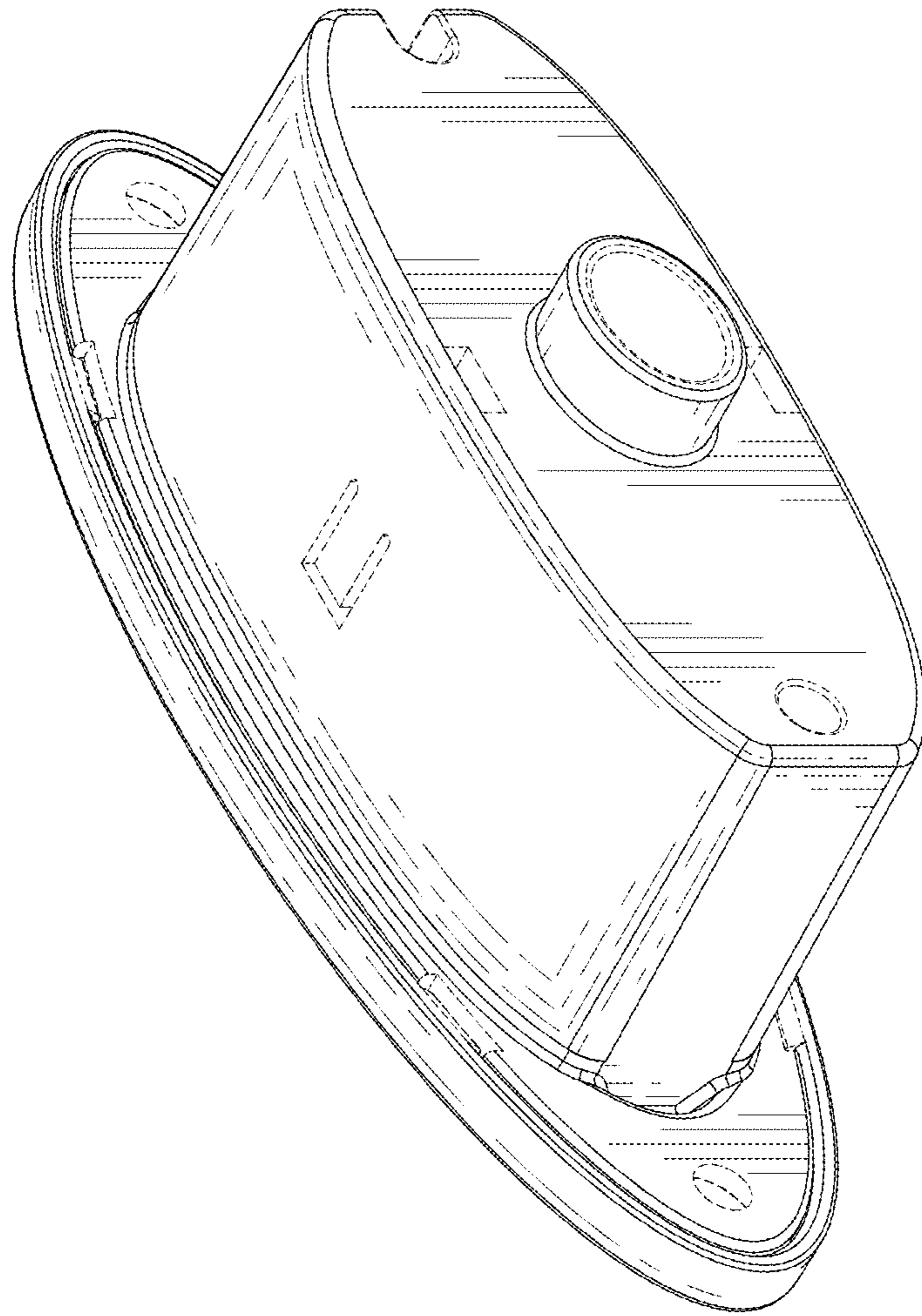


FIG.8