



US00D930599S

(12) **United States Design Patent** (10) **Patent No.:** **US D930,599 S**  
**Chen** (45) **Date of Patent:** **\*\* Sep. 14, 2021**

- (54) **FURNITURE CONTROLLER**
- (71) Applicant: **TIMOTION TECHNOLOGY CO., LTD.**, New Taipei (TW)
- (72) Inventor: **Yi-Chun Chen**, New Taipei (TW)
- (73) Assignee: **TIMOTION TECHNOLOGY CO., LTD.**, New Taipei (TW)
- (\*\*) Term: **15 Years**
- (21) Appl. No.: **29/747,673**
- (22) Filed: **Aug. 24, 2020**
- (51) **LOC (13) Cl.** ..... **13-03**
- (52) **U.S. Cl.**  
USPC ..... **D13/171**
- (58) **Field of Classification Search**  
USPC ..... D13/162, 164, 171, 173  
CPC ..... H01H 3/02; H01H 3/022; H01H 3/12;  
H01H 3/122; H01H 9/02; H01H 9/0235;  
H01H 13/023; H01H 13/04; H01H 13/06;  
H01H 13/063; H01H 13/10; H01H 13/12;  
H01H 13/14; H01H 13/36; H01H 13/70;  
H01H 13/86; H01H 21/24; A47C 1/0345;  
A47C 1/035; A47C 1/0355; A47C 7/506  
See application file for complete search history.

- (56) **References Cited**  
U.S. PATENT DOCUMENTS  
D689,825 S \* 9/2013 Wenji ..... D13/162  
D740,763 S \* 10/2015 Wenji ..... D13/162  
D758,326 S \* 6/2016 Dorn ..... D13/174  
D777,688 S \* 1/2017 Seidl ..... D13/171  
D817,898 S \* 5/2018 Seidl ..... D13/164

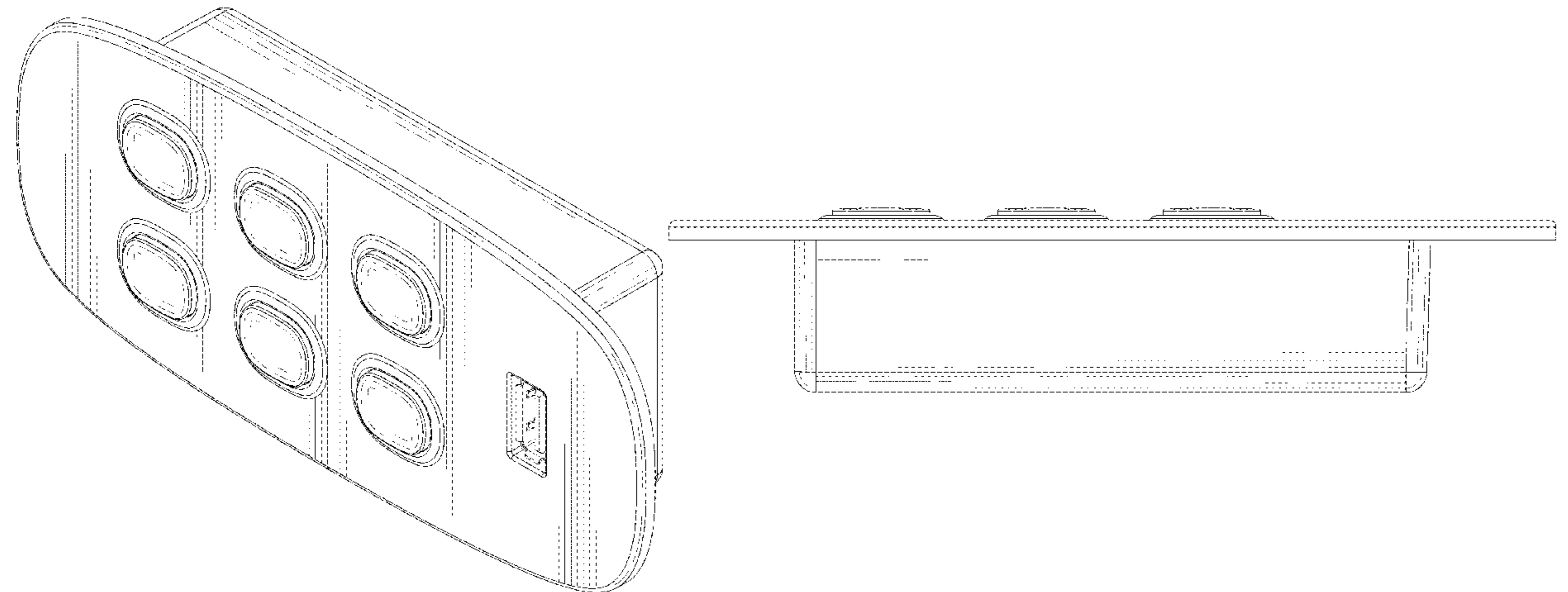
- D821,986 S \* 7/2018 Seidl ..... D13/171
- D830,317 S \* 10/2018 Seidl ..... D13/164
- D830,978 S \* 10/2018 Seidl ..... D13/171
- D875,693 S \* 2/2020 Gassner ..... D13/171
- 10,925,404 B2 \* 2/2021 Rains ..... A47C 1/0355
- 2009/0040074 A1 \* 2/2009 McTavish ..... G06F 3/0238  
341/22
- 2014/0306505 A1 \* 10/2014 Koch ..... A47C 7/62  
297/330
- 2020/0305609 A1 \* 10/2020 Rains ..... A47C 7/54
- 2021/0169234 A1 \* 6/2021 Jacobs ..... A47C 1/13

\* cited by examiner  
*Primary Examiner* — Selina Sikder  
(74) *Attorney, Agent, or Firm* — Chun-Ming Shih; HDLS IPR Services

(57) **CLAIM**  
The ornamental design for a furniture controller, as shown and described.

**DESCRIPTION**  
FIG. 1 is a perspective view of a furniture controller showing my new design;  
FIG. 2 is a front view thereof;  
FIG. 3 is a rear view thereof;  
FIG. 4 is a left side view thereof;  
FIG. 5 is a right side view thereof;  
FIG. 6 is a top view thereof;  
FIG. 7 is a bottom view thereof; and,  
FIG. 8 is a second perspective view showing the furniture controller.  
The broken lines in the drawings illustrate portions of the furniture controller that form no part of the claimed design.

**1 Claim, 8 Drawing Sheets**



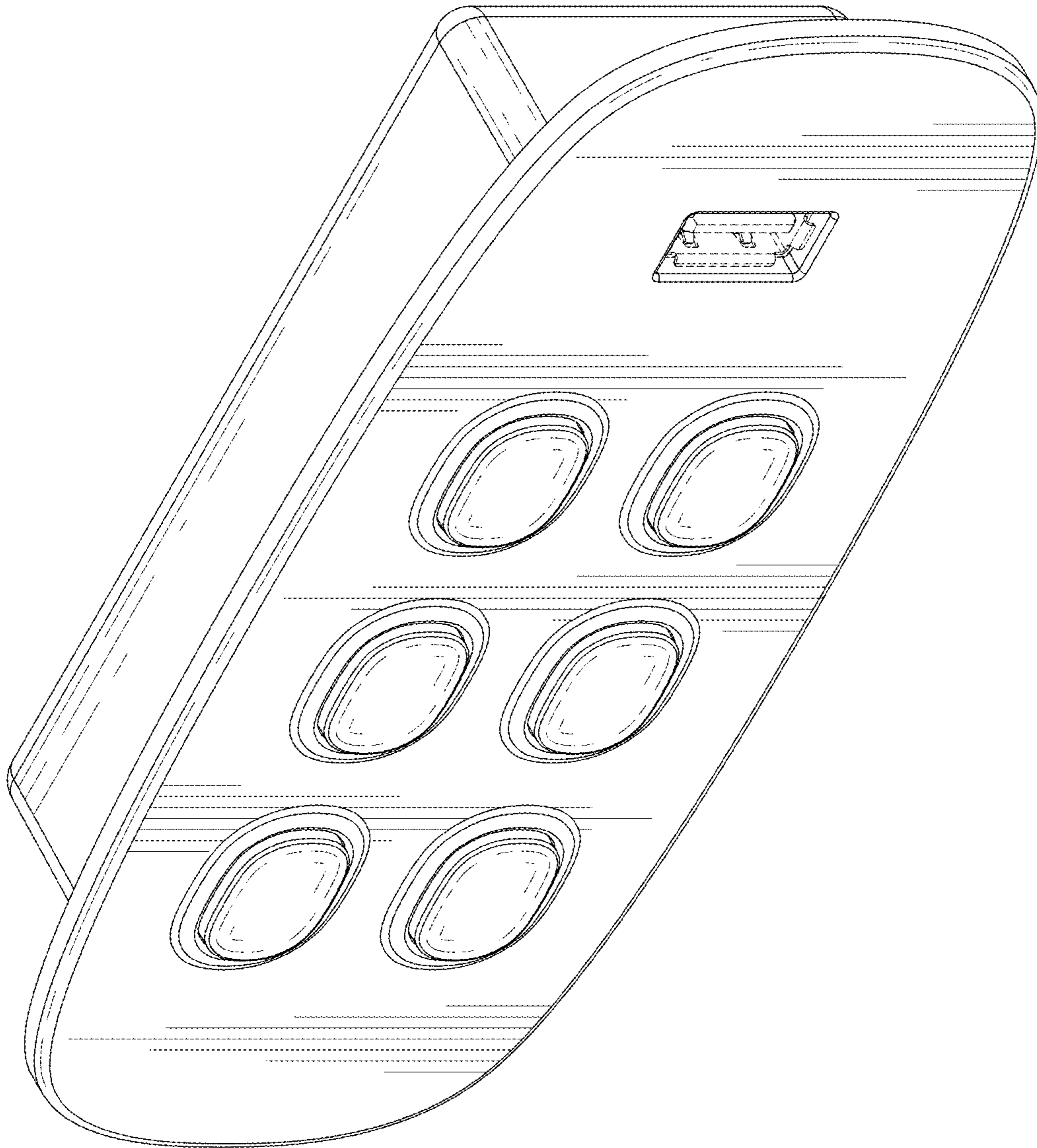


FIG.1

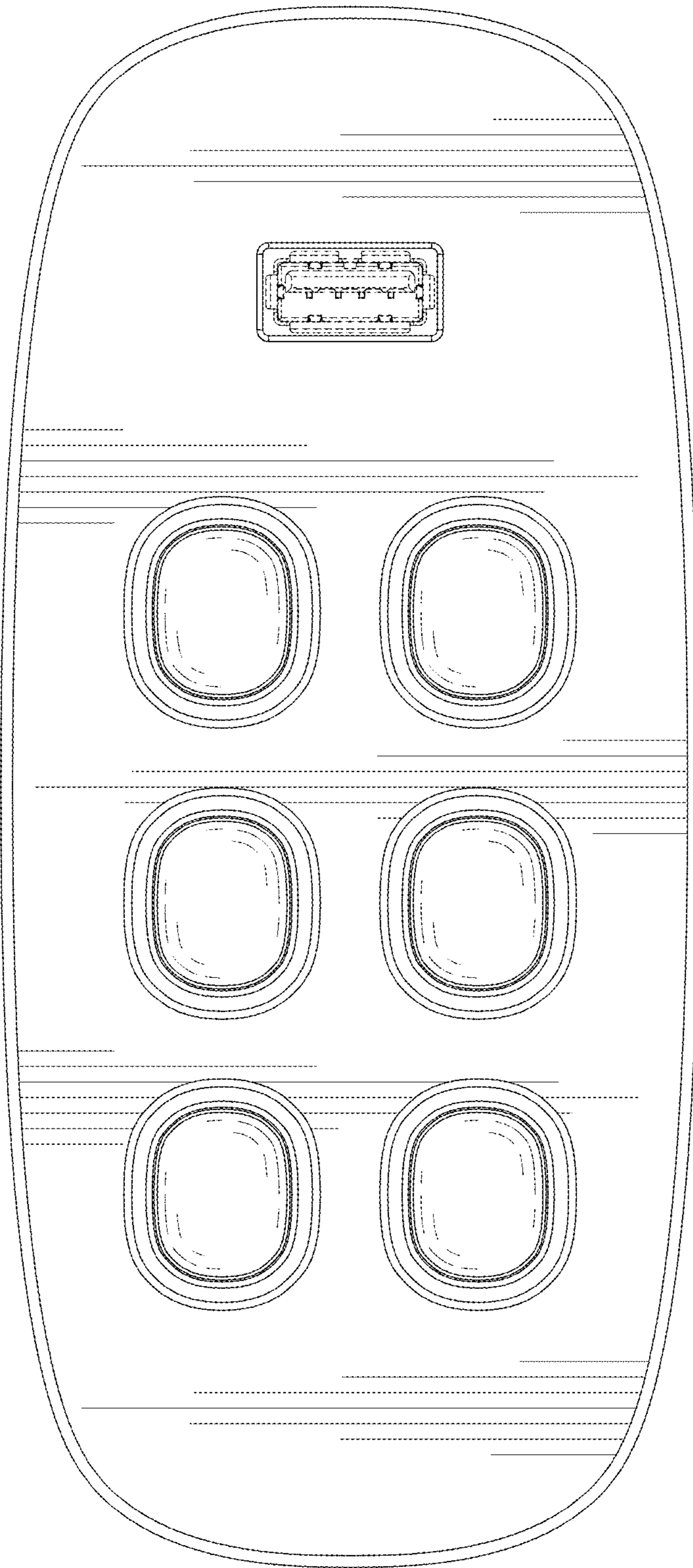


FIG. 2

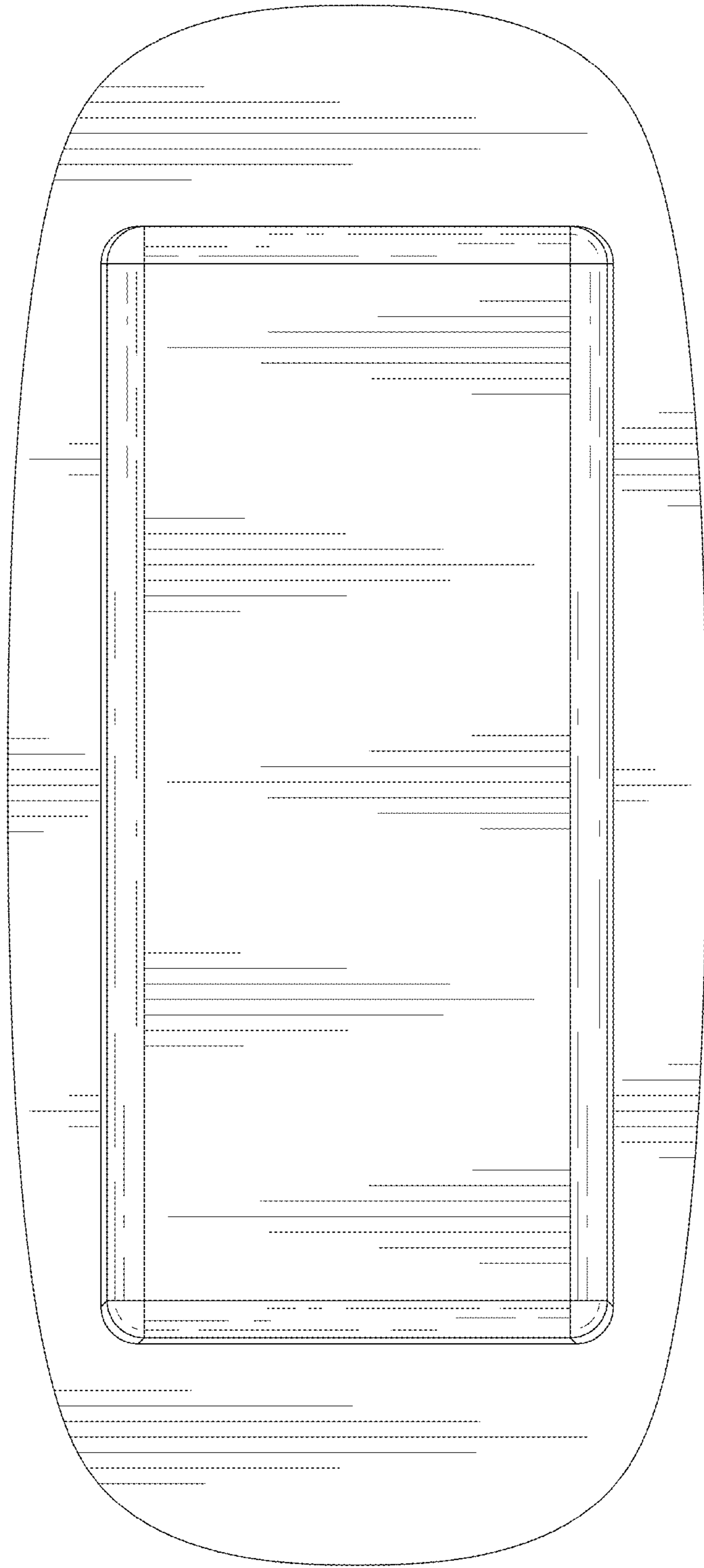


FIG.3

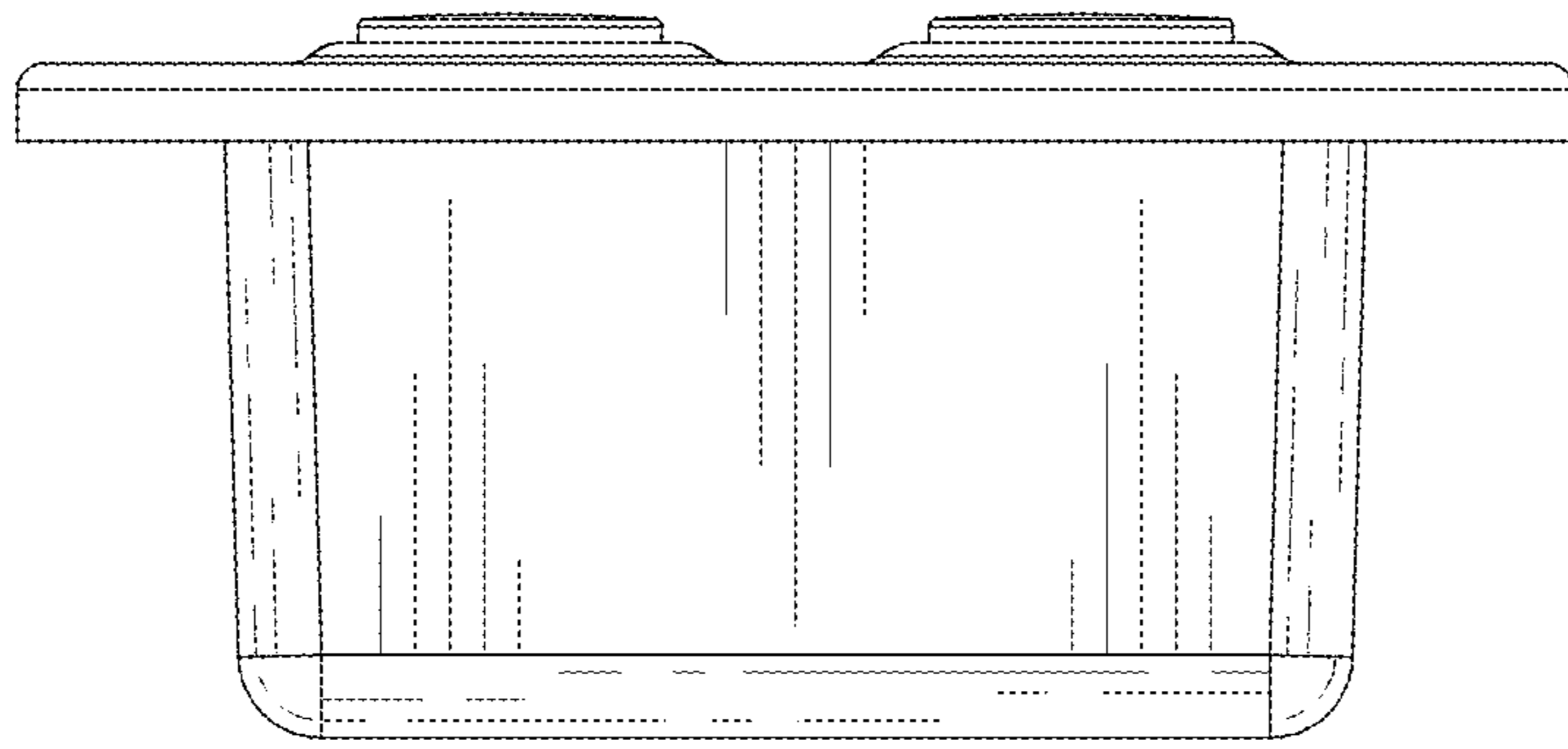


FIG.4



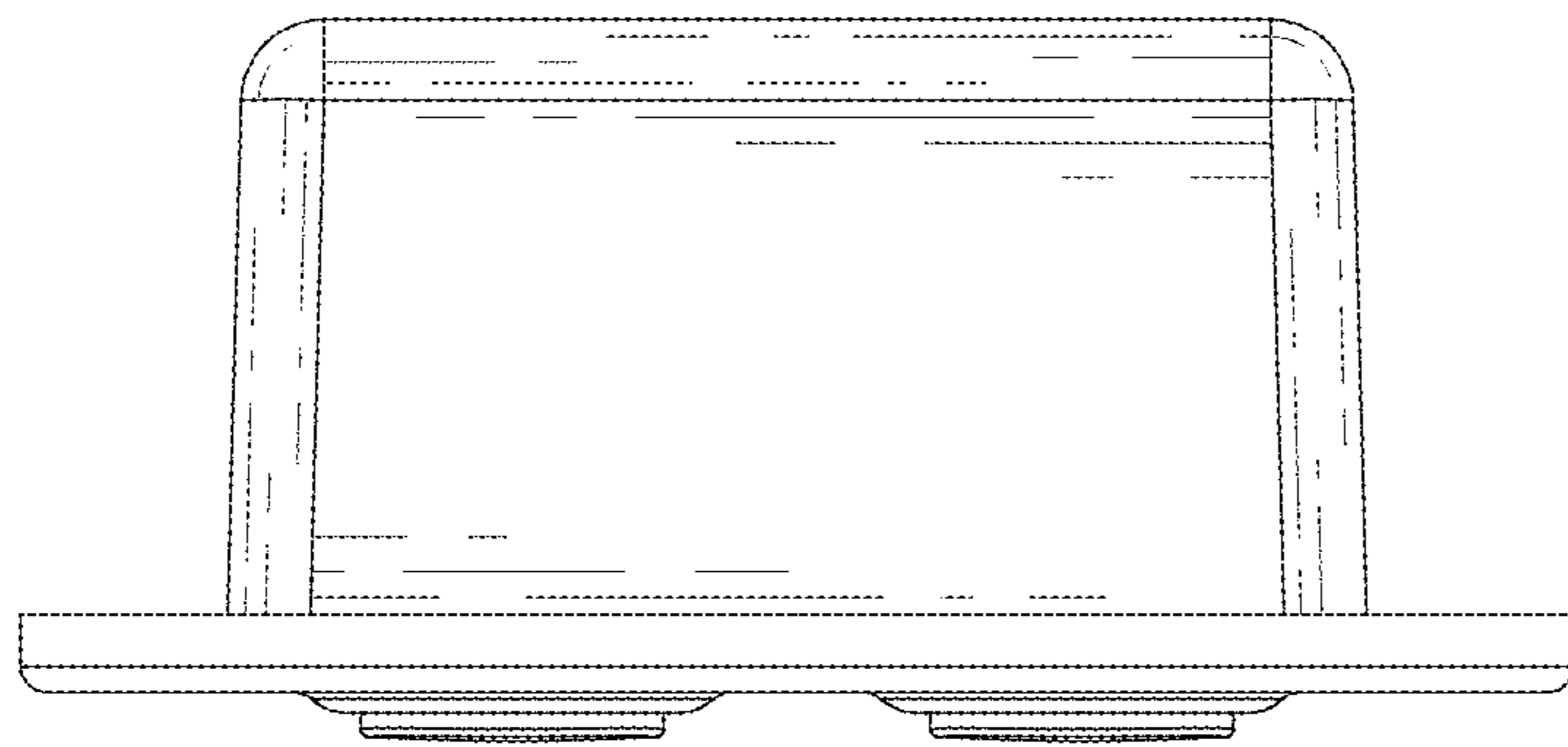


FIG.5

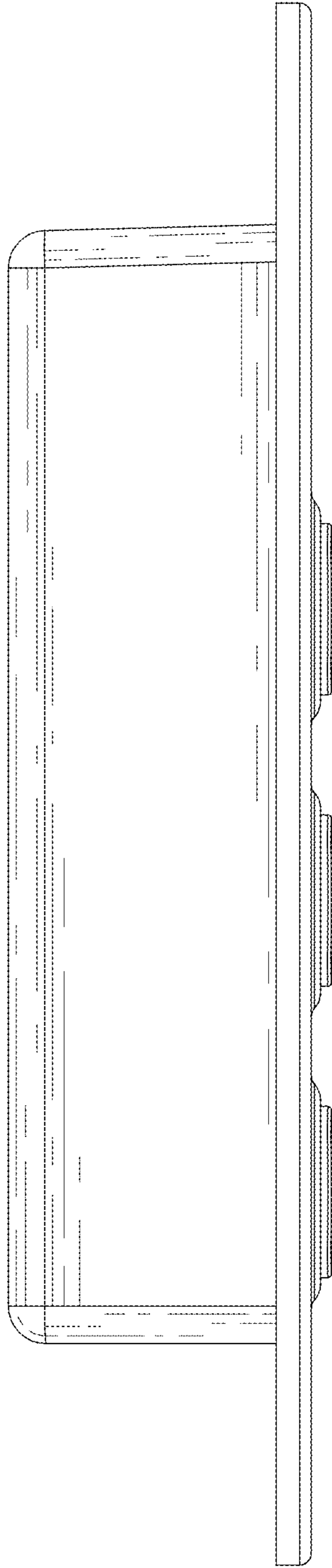


FIG.6

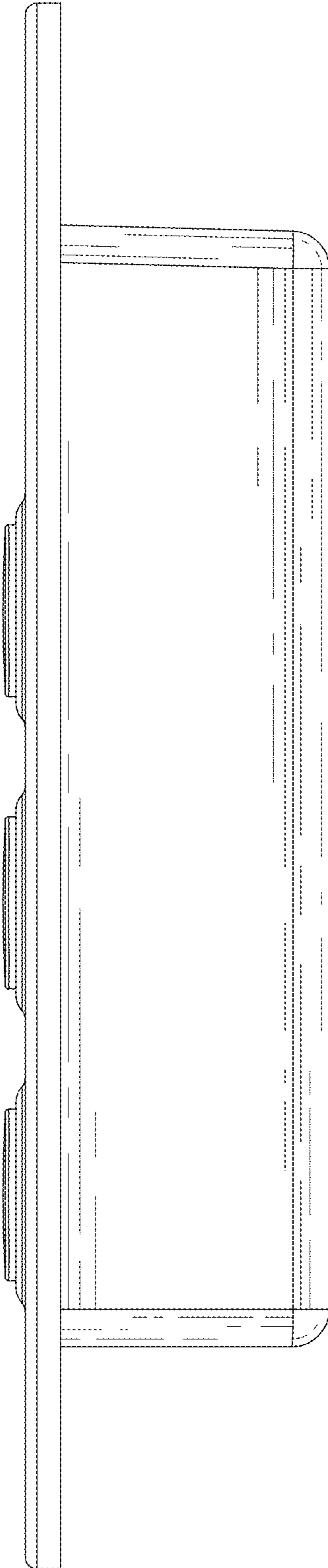


FIG.7



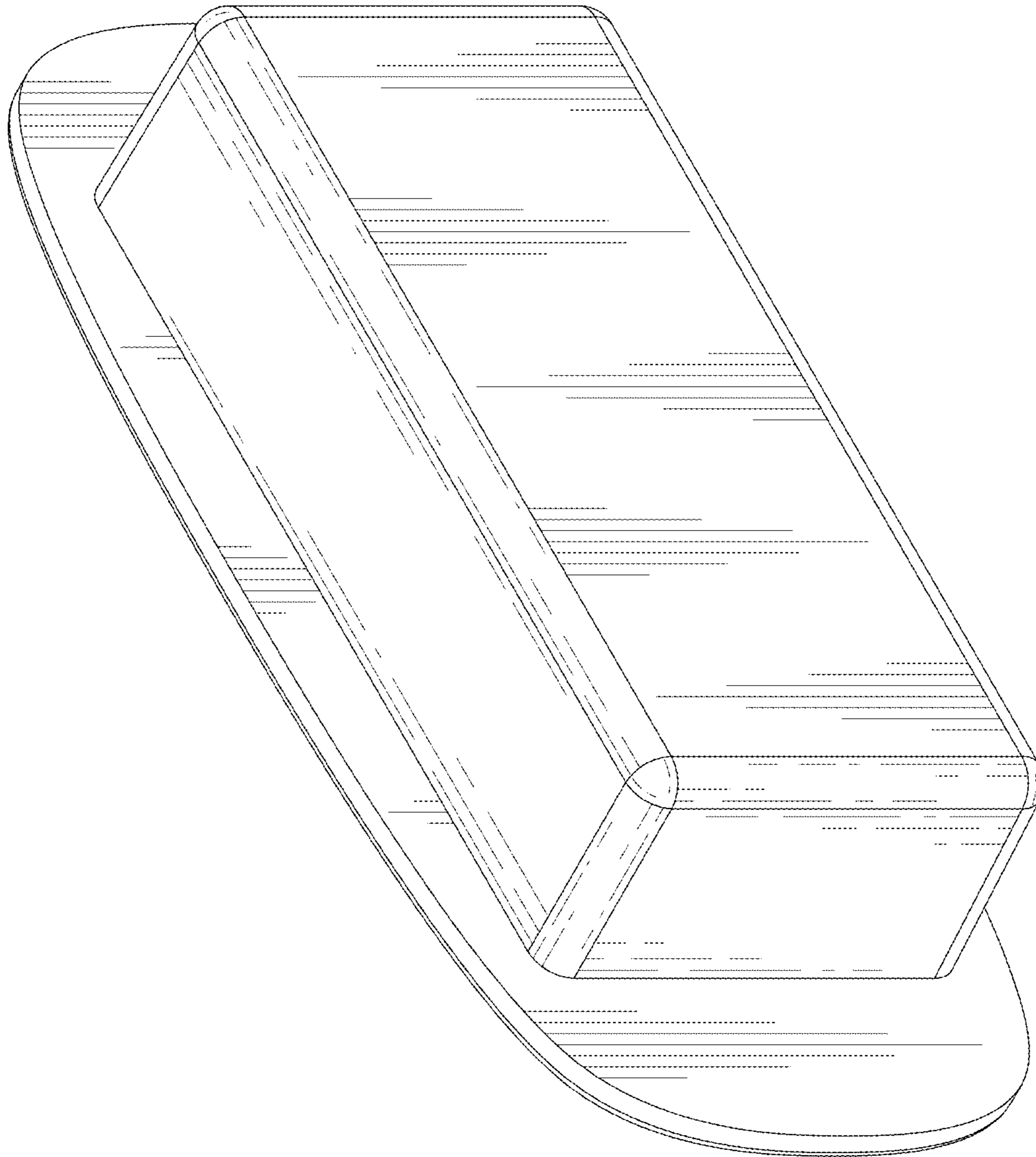


FIG.8