



US00D930598S

(12) **United States Design Patent** (10) **Patent No.:** **US D930,598 S**
Shen (45) **Date of Patent:** **** Sep. 14, 2021**

(54) **CONTROLLER**

(71) Applicant: **TIMOTION TECHNOLOGY CO., LTD.**, New Taipei (TW)

(72) Inventor: **Bo-Yen Shen**, New Taipei (TW)

(73) Assignee: **TIMOTION TECHNOLOGY CO., LTD.**, New Taipei (TW)

(**) Term: **15 Years**

(21) Appl. No.: **29/747,647**

(22) Filed: **Aug. 24, 2020**

(51) **LOC (13) Cl.** **13-03**

(52) **U.S. Cl.**
USPC **D13/164**; D13/171

(58) **Field of Classification Search**
USPC D13/162, 164, 171, 173
CPC H01H 3/02; H01H 3/022; H01H 3/12;
H01H 3/122; H01H 9/02; H01H 9/0235;
H01H 13/023; H01H 13/04; H01H 13/06;
H01H 13/063; H01H 13/10; H01H 13/12;
H01H 13/14; H01H 13/36; H01H 13/70;
H01H 13/86; H01H 21/24; A47C 1/0345;
A47C 1/035; A47C 1/0355; A47C 7/506;
A47B 21/02; A47B 9/00
See application file for complete search history.

(56) **References Cited**

U.S. PATENT DOCUMENTS

D337,312 S * 7/1993 Kapp D13/164
6,595,144 B1 * 7/2003 Doyle A47B 9/00
108/147
7,332,681 B2 * 2/2008 Wohlfart H01H 3/122
200/345
D764,420 S * 8/2016 Naka D13/171
D777,687 S * 1/2017 Seidl D13/171
10,028,576 B1 * 7/2018 Yao A47B 21/06
D836,570 S * 12/2018 Liu D13/171
D846,503 S * 4/2019 Yang D13/162
D847,101 S * 4/2019 Chen D13/162

10,349,736 B2 * 7/2019 Tseng A47B 9/04
D858,462 S * 9/2019 Lu D13/164
D862,398 S * 10/2019 Schindler D13/162
D870,055 S * 12/2019 Deyaf D13/162
D870,056 S * 12/2019 Deyaf D13/164
2013/0026340 A1 * 1/2013 Kanamori H01H 13/86
250/200
2017/0287657 A1 * 10/2017 Naka H01H 13/14
(Continued)

OTHER PUBLICATIONS

Varidesk ProDesk 60 Electric Standing Desk Review 2019; 2 pgs;
<https://www.painlessmovement.com/varidesk-prodesk-60-electric-standing-desk-review/>.*

(Continued)

Primary Examiner — Selina Sikder

(74) *Attorney, Agent, or Firm* — Chun-Ming Shih; HDLS IPR Services

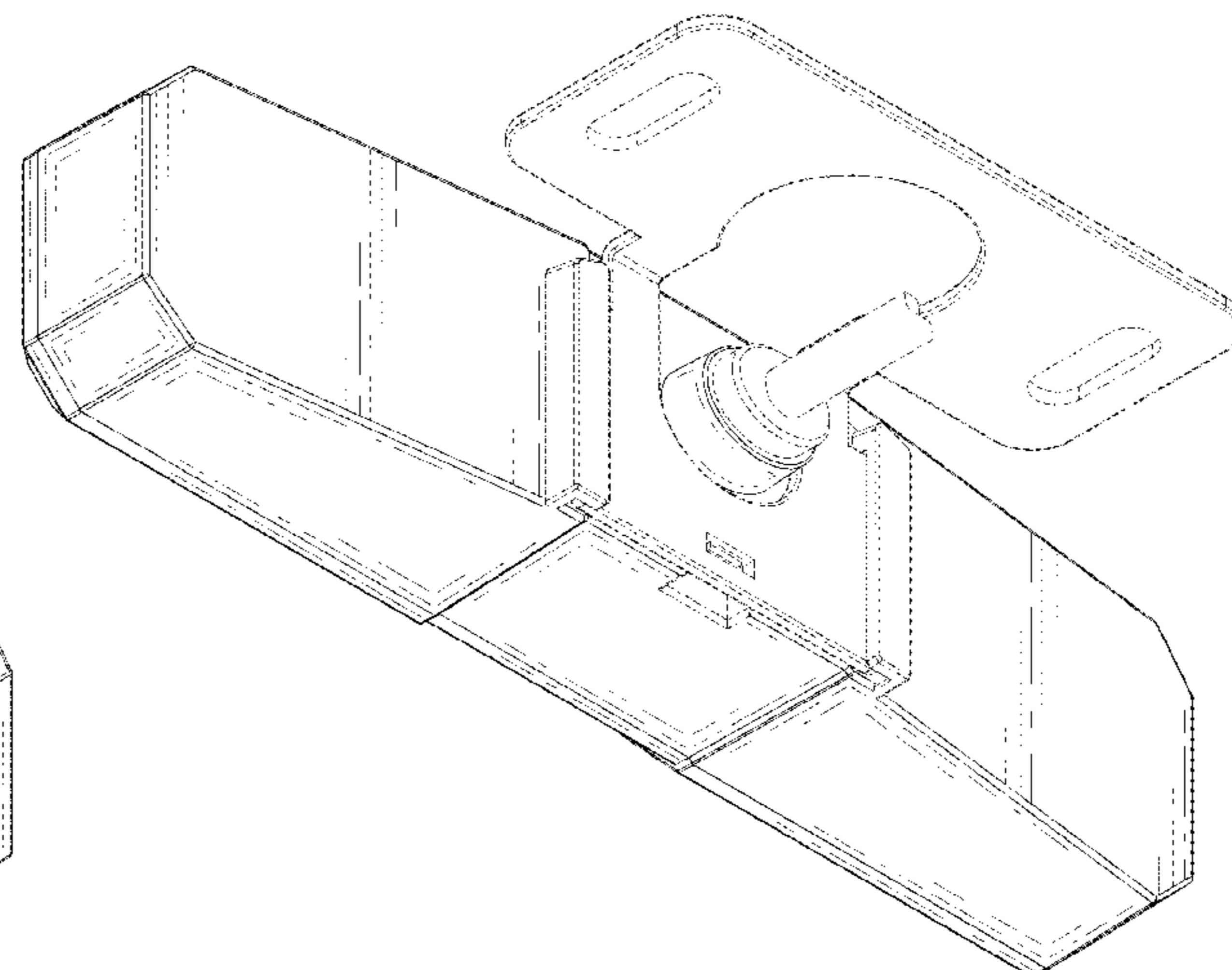
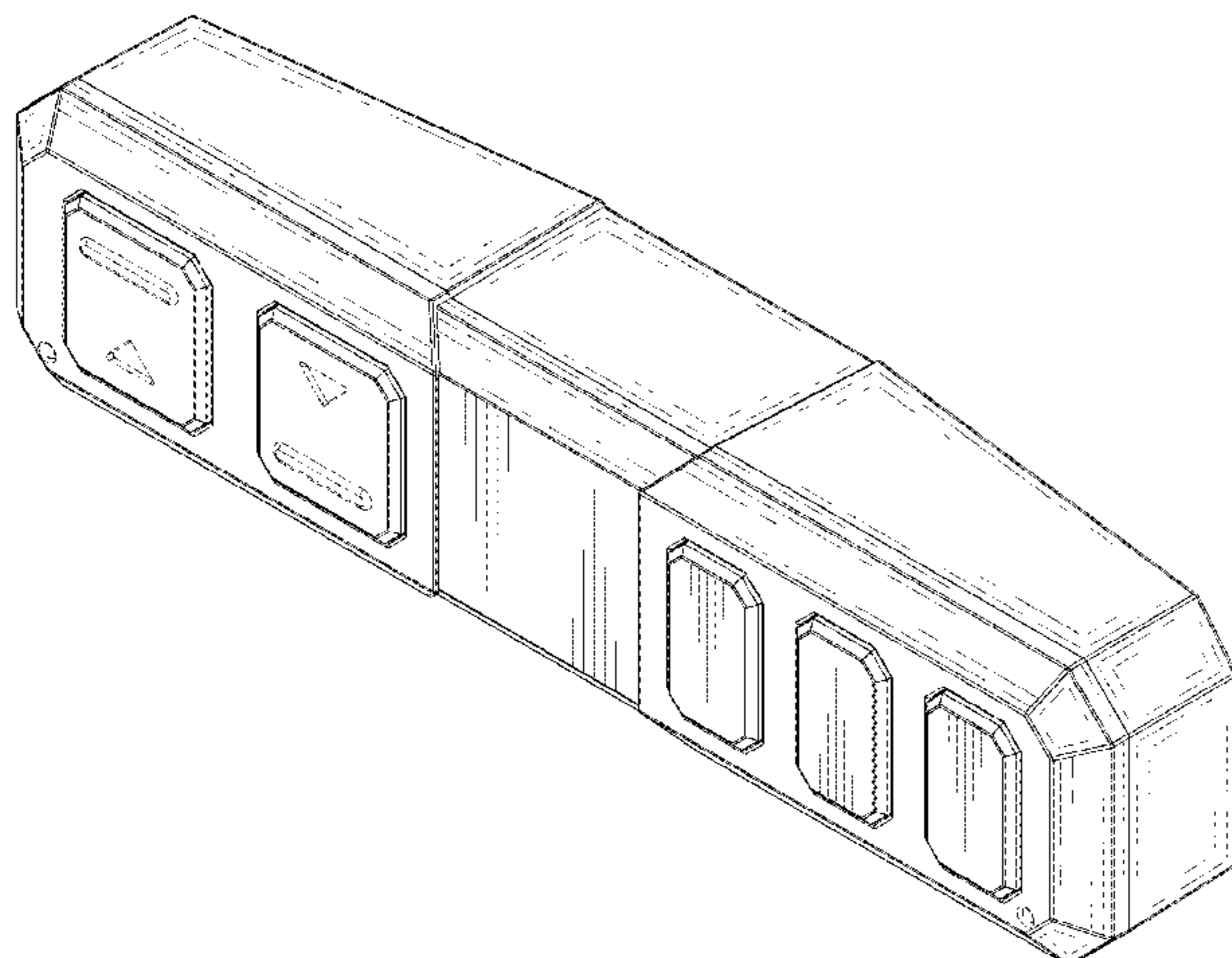
(57) **CLAIM**

The ornamental design for a controller, as shown and described.

DESCRIPTION

FIG. 1 is a perspective view of a controller showing my new design;
FIG. 2 is a front view thereof;
FIG. 3 is a rear view thereof;
FIG. 4 is a left side view thereof;
FIG. 5 is a right side view thereof;
FIG. 6 is a top view thereof;
FIG. 7 is a bottom view thereof; and
FIG. 8 is second perspective view showing the controller; and,
FIG. 9 is a perspective view showing the controller for reference.
The broken lines in the drawings illustrate portions of the controller that form no part of the claimed design.

1 Claim, 9 Drawing Sheets



(56)

References Cited

U.S. PATENT DOCUMENTS

2020/0074776 A1* 3/2020 Uyeda H01H 13/04
2020/0170404 A1* 6/2020 Knapp A47B 21/04

OTHER PUBLICATIONS

Timotion DataSheet_TH14-E_EN, Jul. 26, 2013; 2 pgs.; https://www.timotion.com/_upload/files/DataSheet_TH14-E_EN.pdf.
UpTown Standing Desk; Dec. 4, 2015; 1pgs.; <https://www.imovr.com/thermodesk-uptown-standing-desk-workstation.html>.*

* cited by examiner

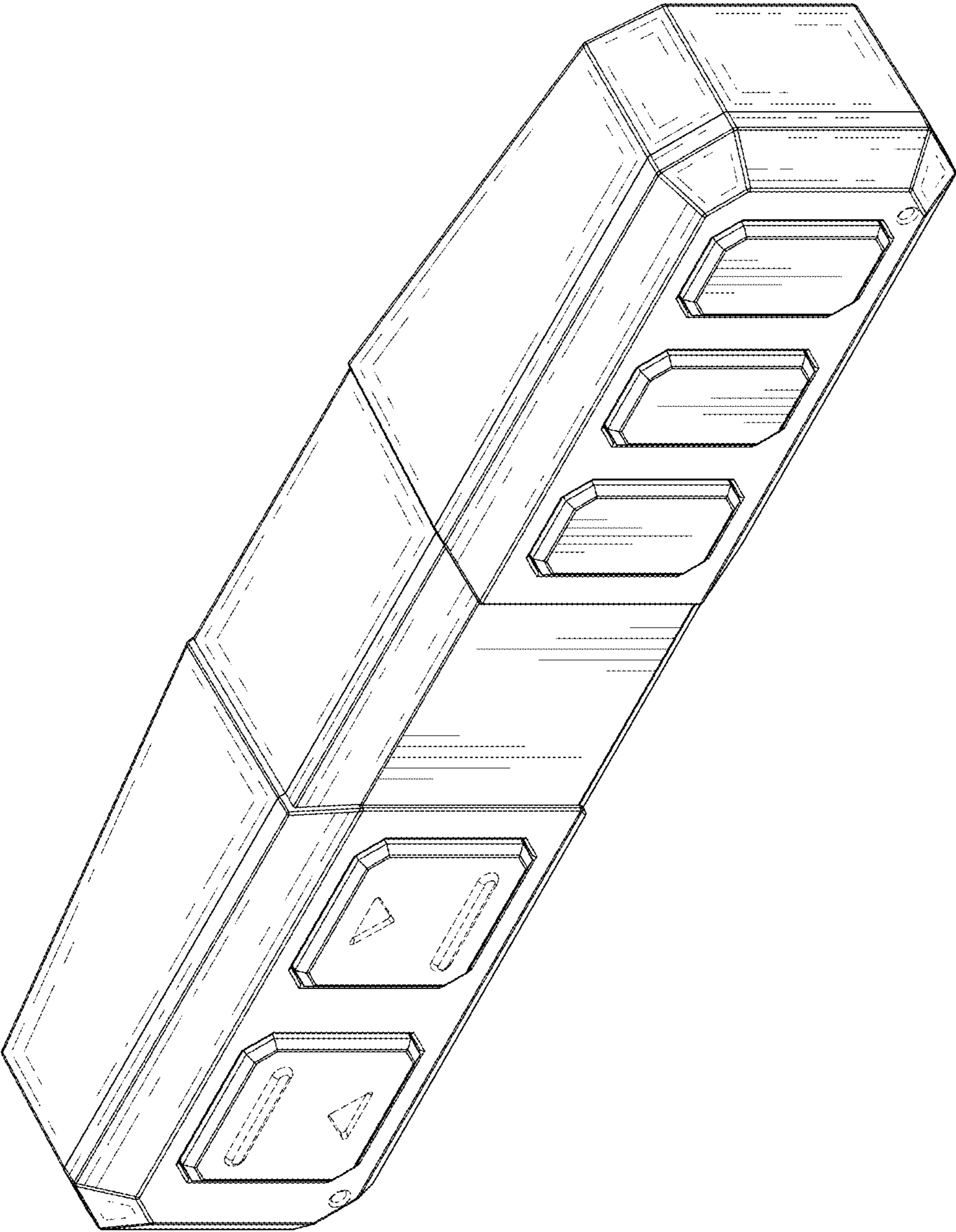


FIG.1

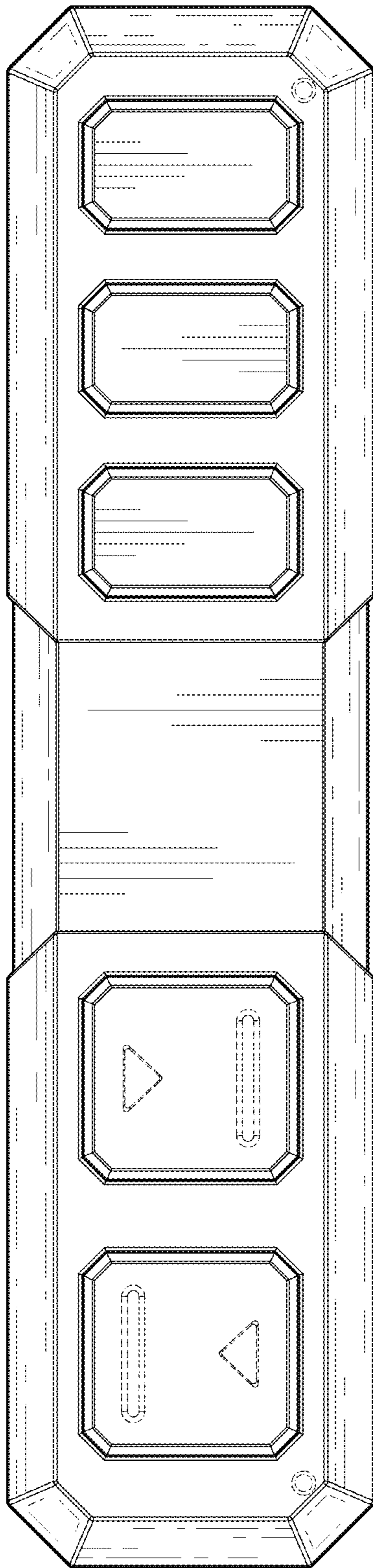


FIG.2

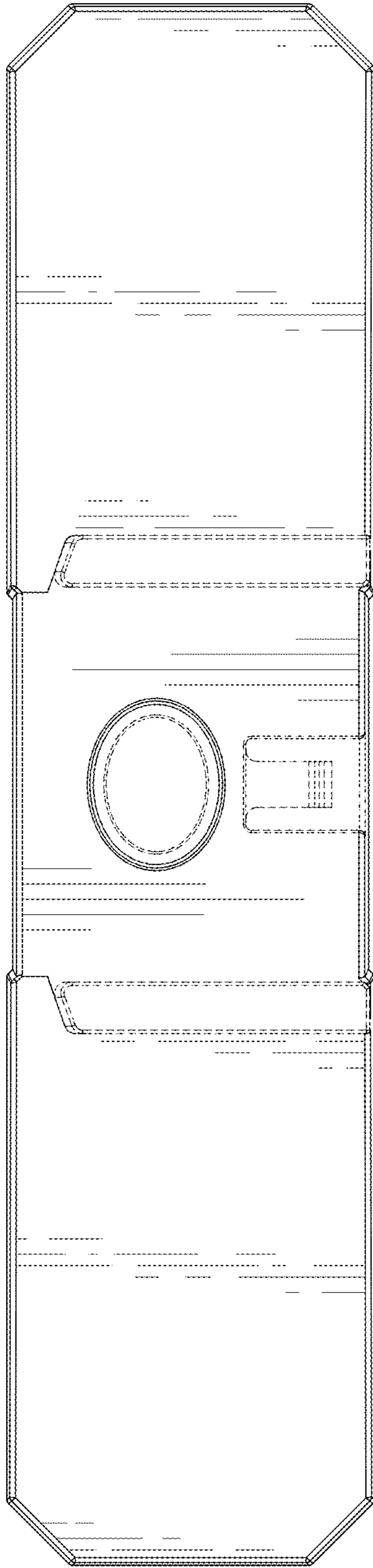


FIG.3

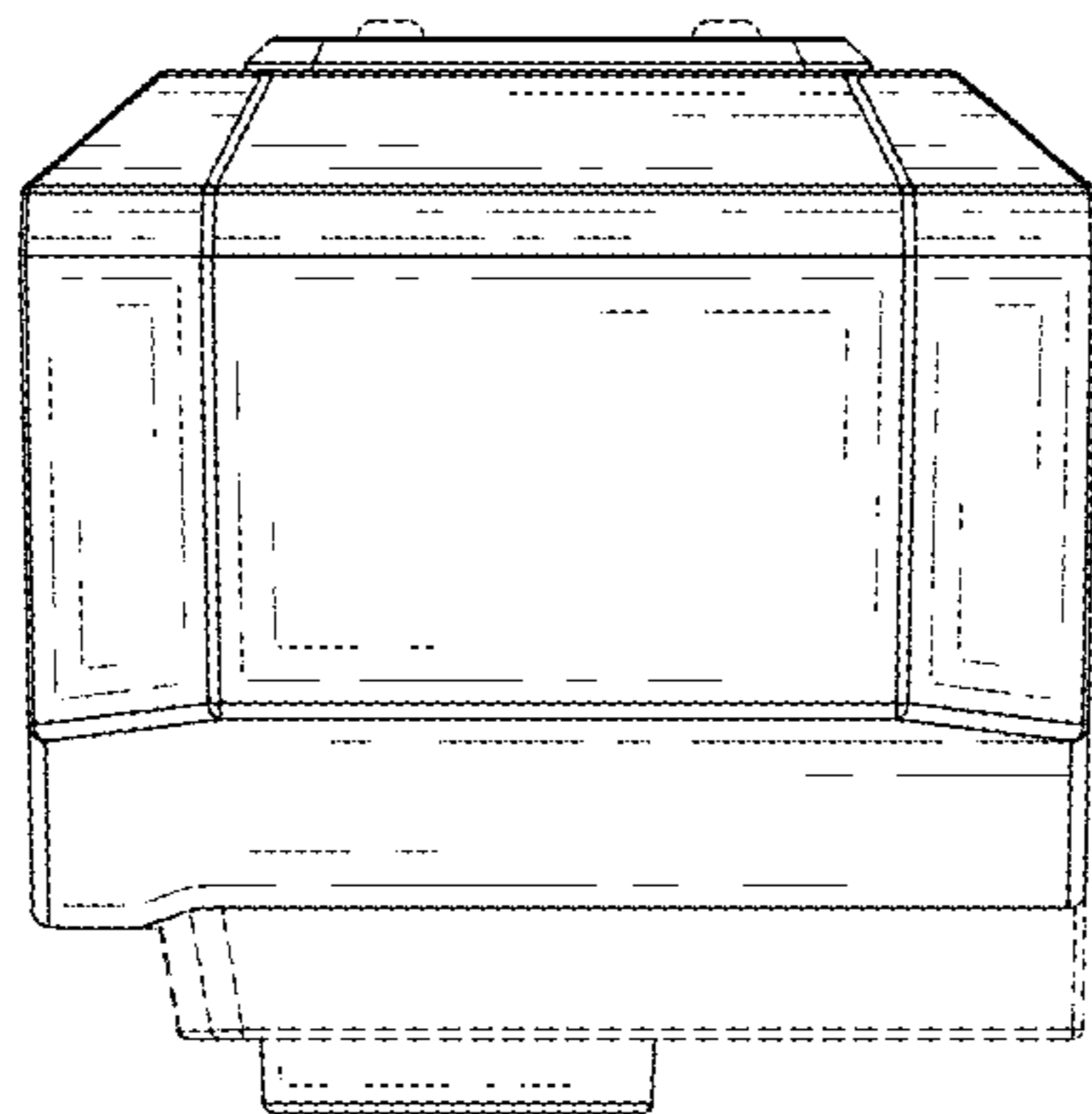


FIG.4

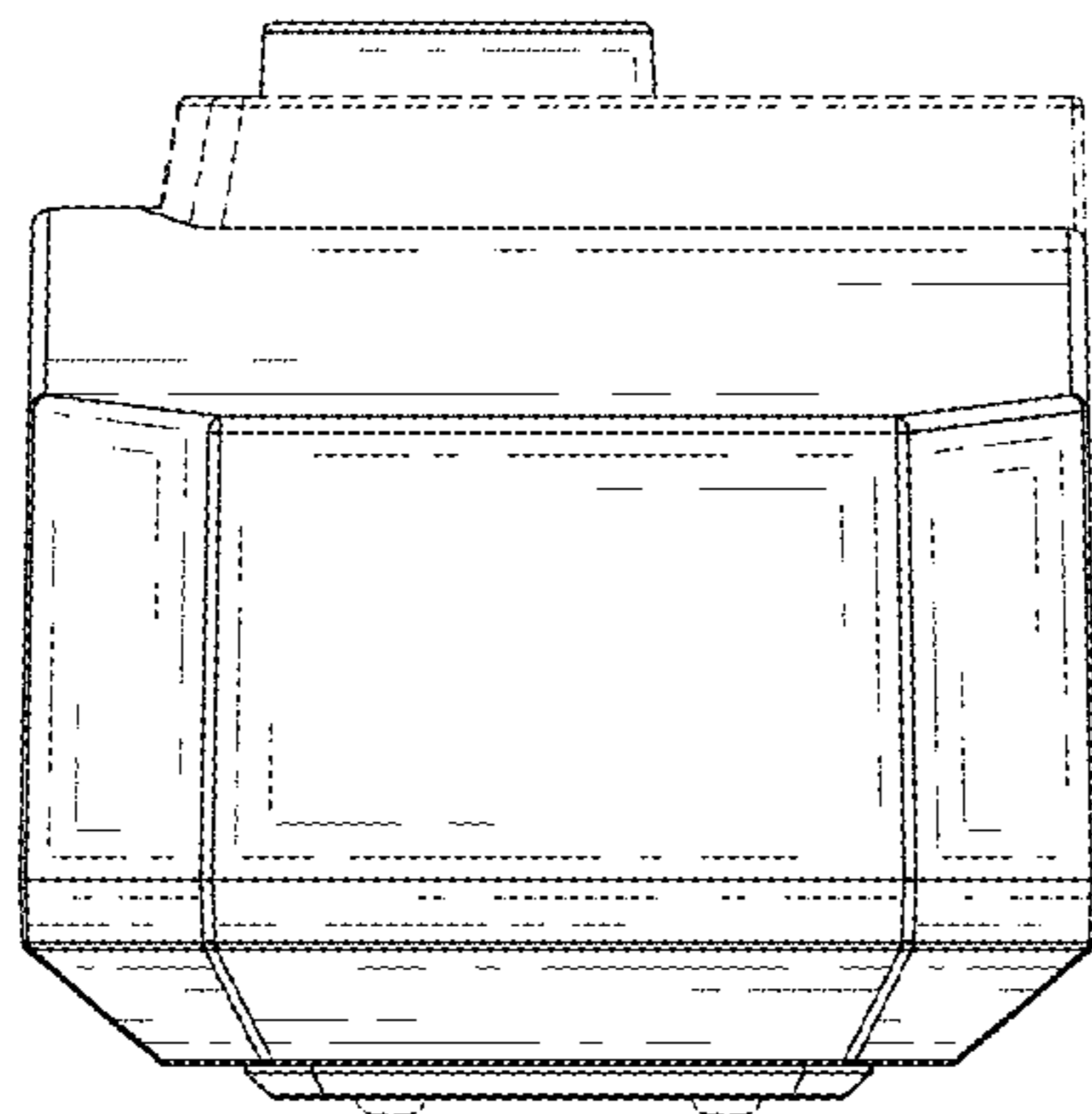


FIG.5

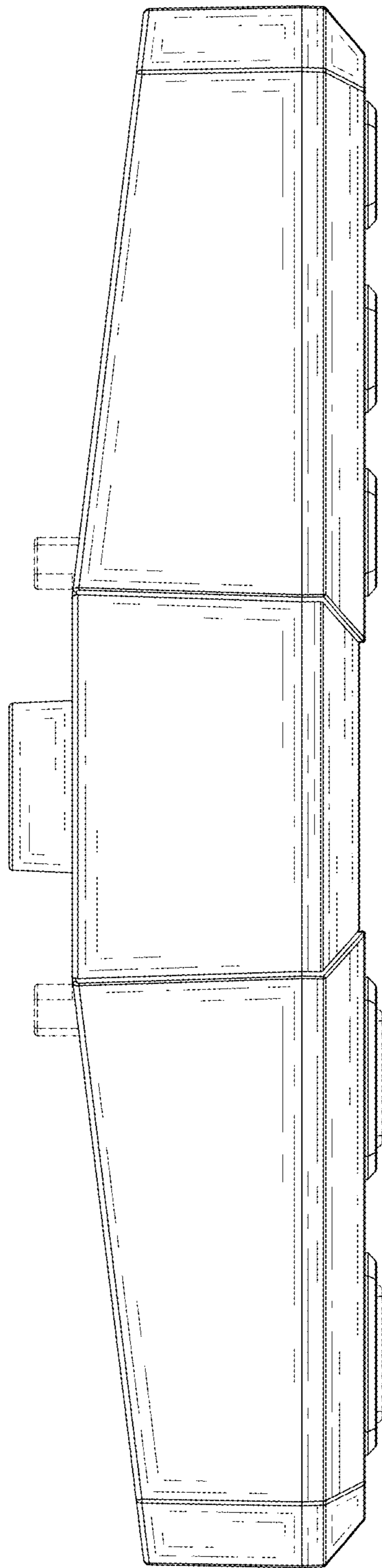


FIG.6

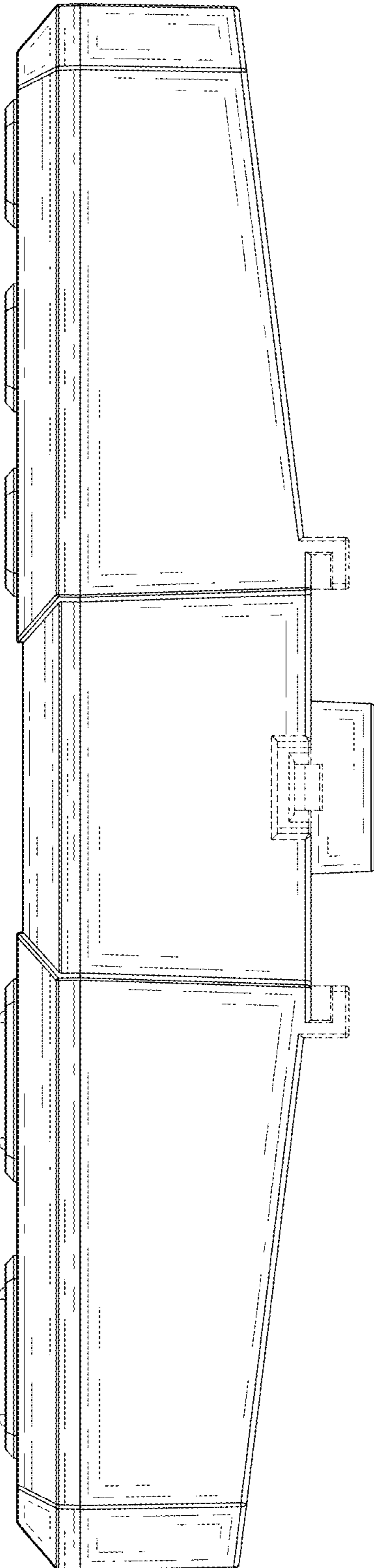


FIG.7

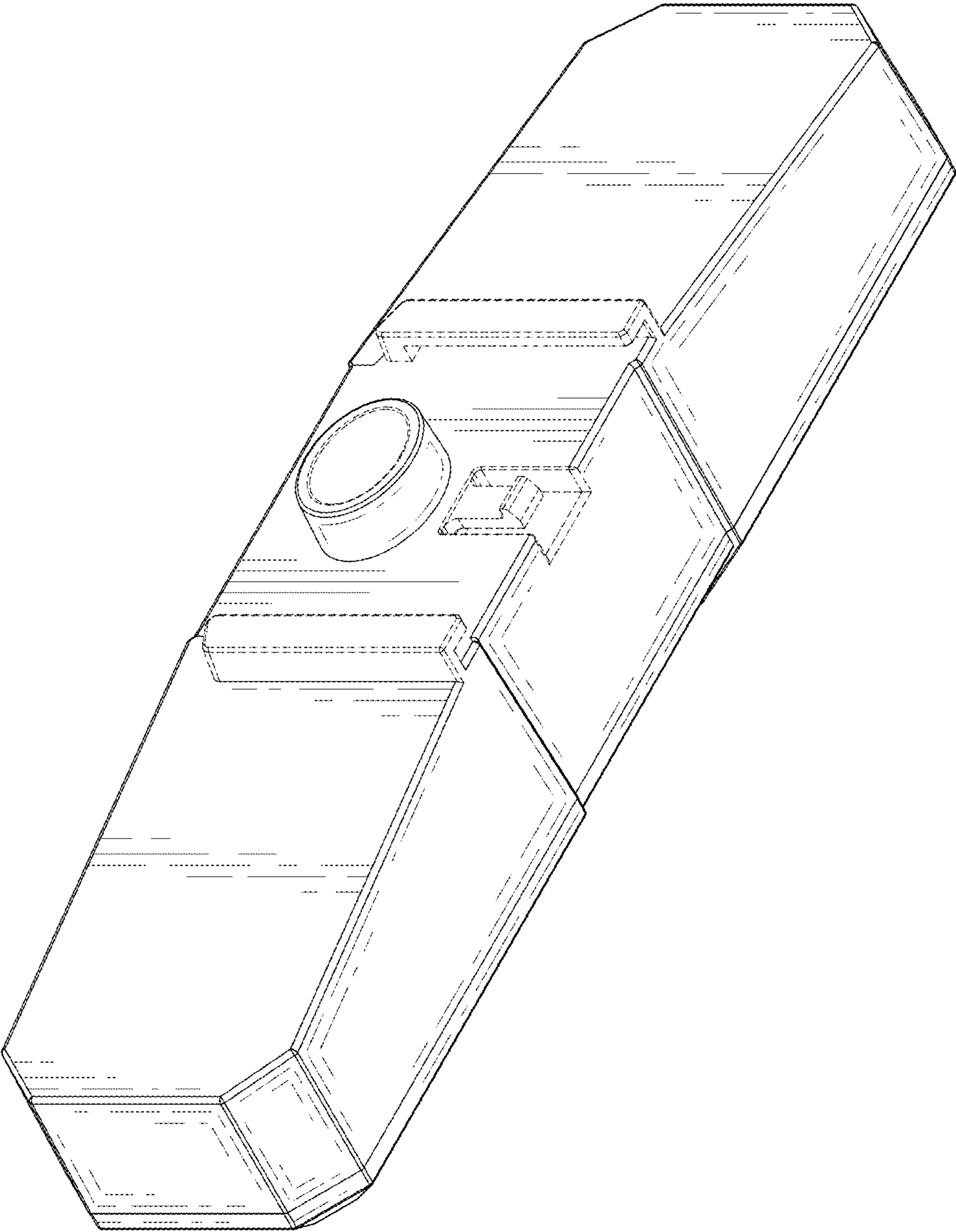


FIG.8

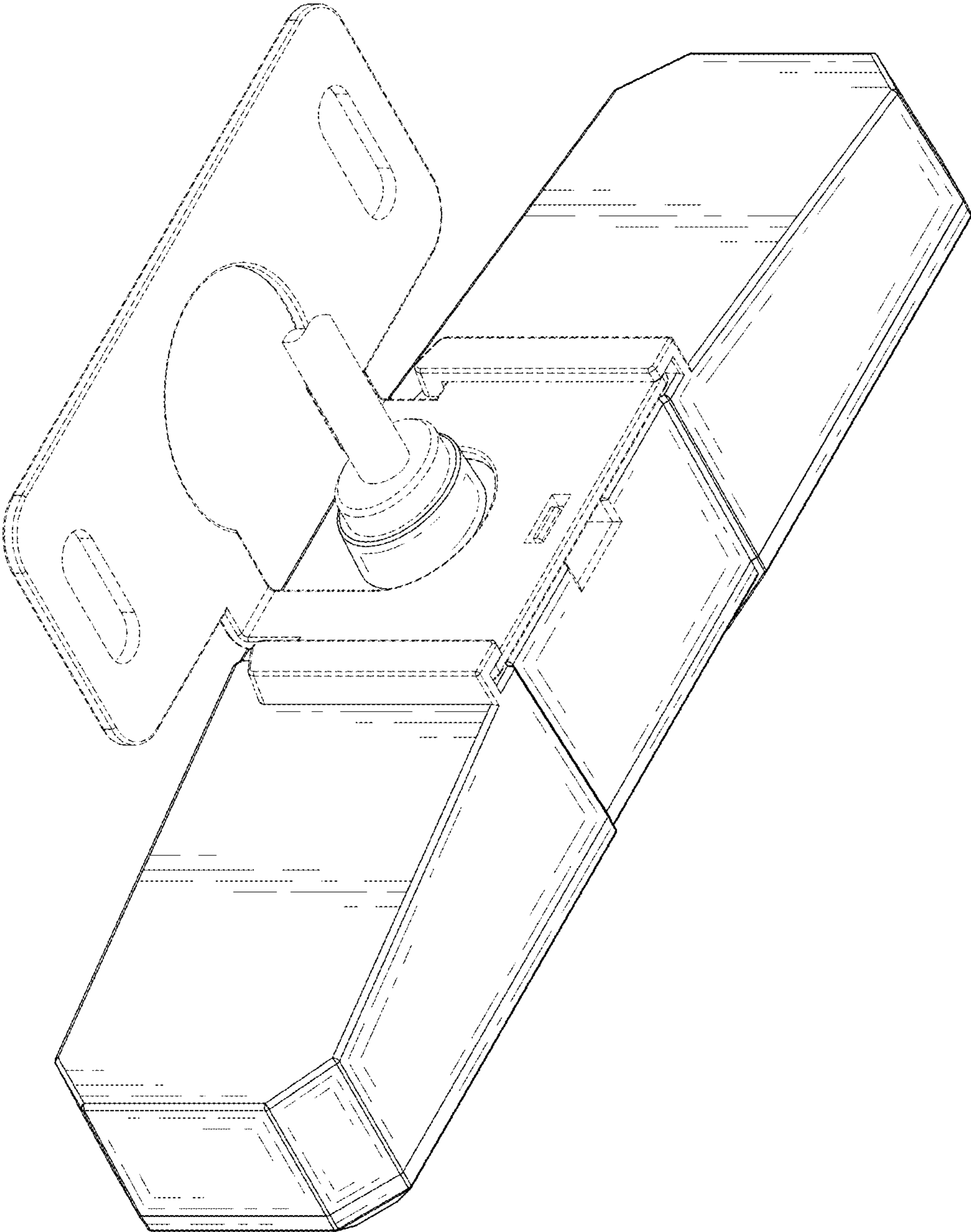


FIG.9