



US00D930596S

(12) **United States Design Patent** (10) **Patent No.:** **US D930,596 S**
Eshelman et al. (45) **Date of Patent:** **** Sep. 14, 2021**

(54) **POWER CORD COVER**

(71) Applicant: **360 Electrical, L.L.C.**, Salt Lake City, UT (US)

(72) Inventors: **Brandon Eshelman**, Salt Lake City, UT (US); **Cameron Bigler**, Lehi, UT (US); **Adam Boushley**, Midvale, UT (US)

(73) Assignee: **360 Electrical, L.L.C.**, Salt Lake City, UT (US)

(**) Term: **15 Years**

(21) Appl. No.: **29/615,743**

(22) Filed: **Aug. 30, 2017**

(51) **LOC (13) Cl.** **13-03**

(52) **U.S. Cl.**
USPC **D13/156**

(58) **Field of Classification Search**
USPC D13/133, 146, 147, 151, 153, 154, 155, D13/156; D3/208; D8/349, 382, 394, D8/396

(Continued)

(56) **References Cited**

U.S. PATENT DOCUMENTS

D102,214 S * 12/1936 Tyson D13/153
D102,489 S * 12/1936 Tyson D13/153
(Continued)

OTHER PUBLICATIONS

360 Electrical 360424 Habitat Braided Extension Cord, 360 Electrical, first available on Sep. 29, 2016 on amazon.com, retrieved on Jan. 28, 2019, retrieved from the Internet URL: https://www.amazon.com/360-Electrical-360424-Habitat-Extension/dp/B01LX1P1AF/ref=sr_1_12_sspa?ie=UTF8&qid=1548698221&sr=8-12-spons&keywords=36.*

(Continued)

Primary Examiner — Catherine S Posthauer

Assistant Examiner — Alison M Ofstun

(74) *Attorney, Agent, or Firm* — Lauff Law PLLC

(57) **CLAIM**

The ornamental design for a power cord cover, substantially as shown and described.

DESCRIPTION

The patent or application file contains at least one drawing executed in color. Copies of this patent or patent application publication with color drawing(s) will be provided by the Office upon request and payment of the necessary fee.

FIG. 1 is a side view of a first embodiment of a power cord cover, shown in an environment of use.

FIG. 2 is an enlarged view of portion “2” shown in FIG. 1.

FIG. 3 is a perspective view thereof, shown separately from the environment of use.

FIG. 4 is a top plan view thereof.

FIG. 5 is a side view of a second embodiment of a power cord cover, shown in an environment of use.

FIG. 6 is an enlarged view of portion “6” shown in FIG. 5.

FIG. 7 is a perspective view thereof, shown separately from the environment of use.

FIG. 8 is a top plan view thereof.

FIG. 9 is a side view of a third embodiment of a power cord cover, shown in an environment of use.

FIG. 10 is an enlarged view of portion “10” shown in FIG. 9.

FIG. 11 is a perspective view thereof, shown separately from the environment of use.

FIG. 12 is a top plan view thereof.

FIG. 13 is a side view of a fourth embodiment of a power cord cover, shown in an environment of use.

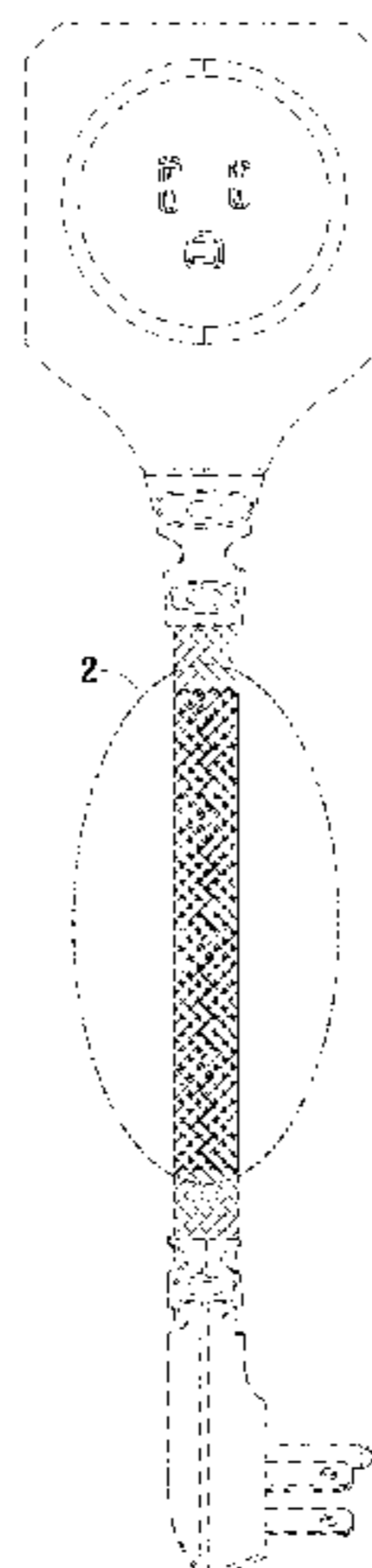
FIG. 14 is an enlarged view of portion “14” shown in FIG. 13.

FIG. 15 is a perspective view thereof, shown separately from the environment of use; and,

FIG. 16 is a top plan view thereof.

The evenly spaced broken lines illustrate environmental subject matter forming no part of the claimed design. The dot-dash lines illustrate enlarged view indicators and form no part the claimed design.

(Continued)



The power cord cover comprises generally rectangular regions forming contrasting surface areas and thus defining a pattern of contrast in appearance. A single pattern of contrast in appearance is depicted in the drawings.

The claimed pattern of contrast in appearance of the power cord cover repeats uniformly along the length of the power cord cover.

**1 Claim, 8 Drawing Sheets
(4 of 8 Drawing Sheet(s) Filed in Color)**

(58) **Field of Classification Search**

CPC B65H 75/36; H01R 13/5845; H01R 13/72;
H01R 31/06; H01R 11/00; H04M 1/15;
F16G 11/14; D06F 55/00; H02M
2001/0009; F02C 7/28

See application file for complete search history.

(56) **References Cited**

U.S. PATENT DOCUMENTS

D103,756 S *	3/1937	Tyson	D13/153
D107,856 S *	1/1938	Farrar	D13/153
D109,300 S *	4/1938	Harvey	D13/153
D545,761 S *	7/2007	Goradesky	D13/110
D569,340 S *	5/2008	Goradesky	D13/110
D745,851 S *	12/2015	Beck	D13/153
D763,197 S *	8/2016	Beck	D13/153

D777,680 S *	1/2017	Chia	D13/153
D778,242 S *	2/2017	Chia	D13/153
D815,047 S *	4/2018	Faul	D13/153
D818,439 S *	5/2018	Kim	D13/153
D830,311 S *	10/2018	Faul	D13/153
2005/0045366 A1 *	3/2005	Wolff	H01B 7/0009 174/113 R
2015/0009600 A1 *	1/2015	Aromin	H02H 5/042 361/106

OTHER PUBLICATIONS

Rustic State Vintage Fabric Braided 12 Feet Extension Cord, Rustic State, first available on Jun. 23, 2017 on amazon.com, retrieved on Jan. 28, 2019, retrieved from the Internet URL: https://www.amazon.com/Rustic-State-Vintage-Braided-Extension/dp/B07367716W/ref=sr_1_15?ie=UTF8&qid=1548694121&sr=8-15&keywords=braided+po.*

Deluxe Girl Power Braided Pink & Black Guitar Cable, Girl Power!, first available on Nov. 18, 2010 on amazon.com, retrieved on Jan. 28, 2019, retrieved from the Internet URL: https://www.amazon.com/Deluxe-Girl-Power-Braided-Guitar/dp/B00LPSUL1O/ref=sr_1_28?ie=UTF8&qid=1548696590&sr=8-28&keywords=braided+power+cord.*

ATIVA Braided AC Extension Cord, 6', Assorted Colors, Ativa, first available on Jul. 18, 2017, retrieved on Jan. 28, 2019, retrieved from the Internet URL: https://www.amazon.com/ATIVA-Braided-Extension-Assorted-Colors/dp/B0741SQ47Y/ref=sr_1_48?ie=UTF8&qid=1548696740&sr=8-48&keywords=braided+power+cord.*

* cited by examiner

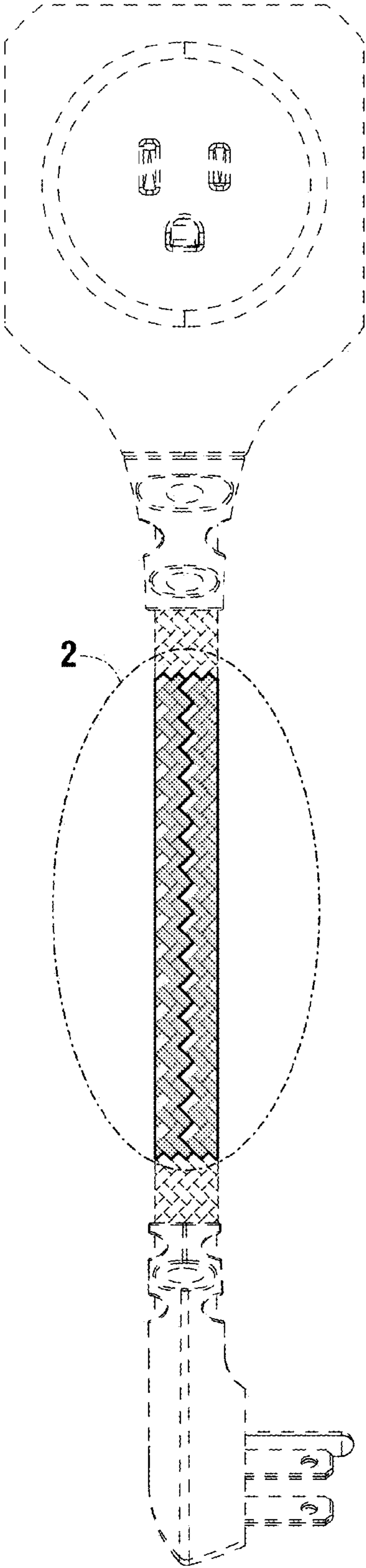


FIG. 1

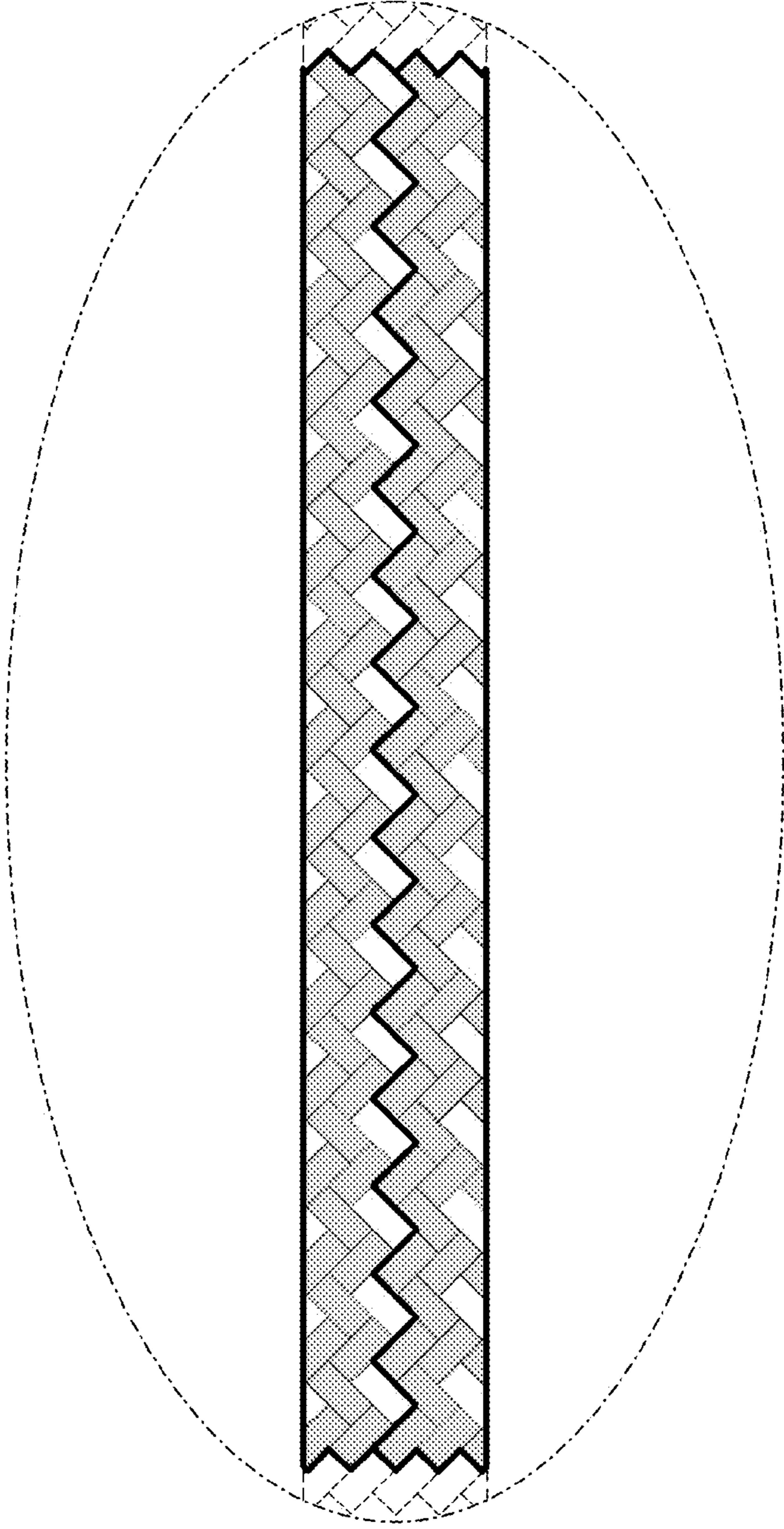


FIG. 2

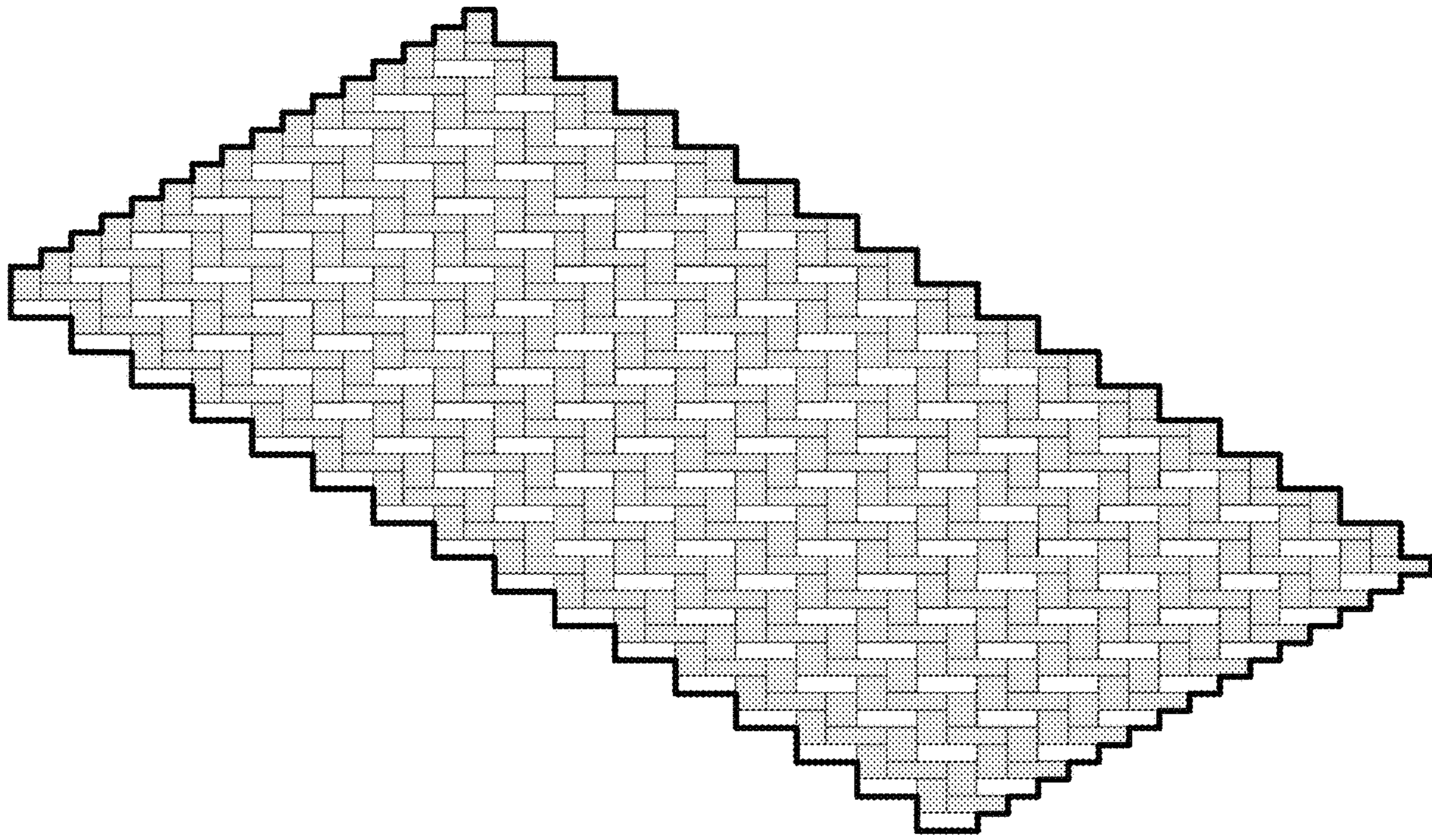


FIG. 3

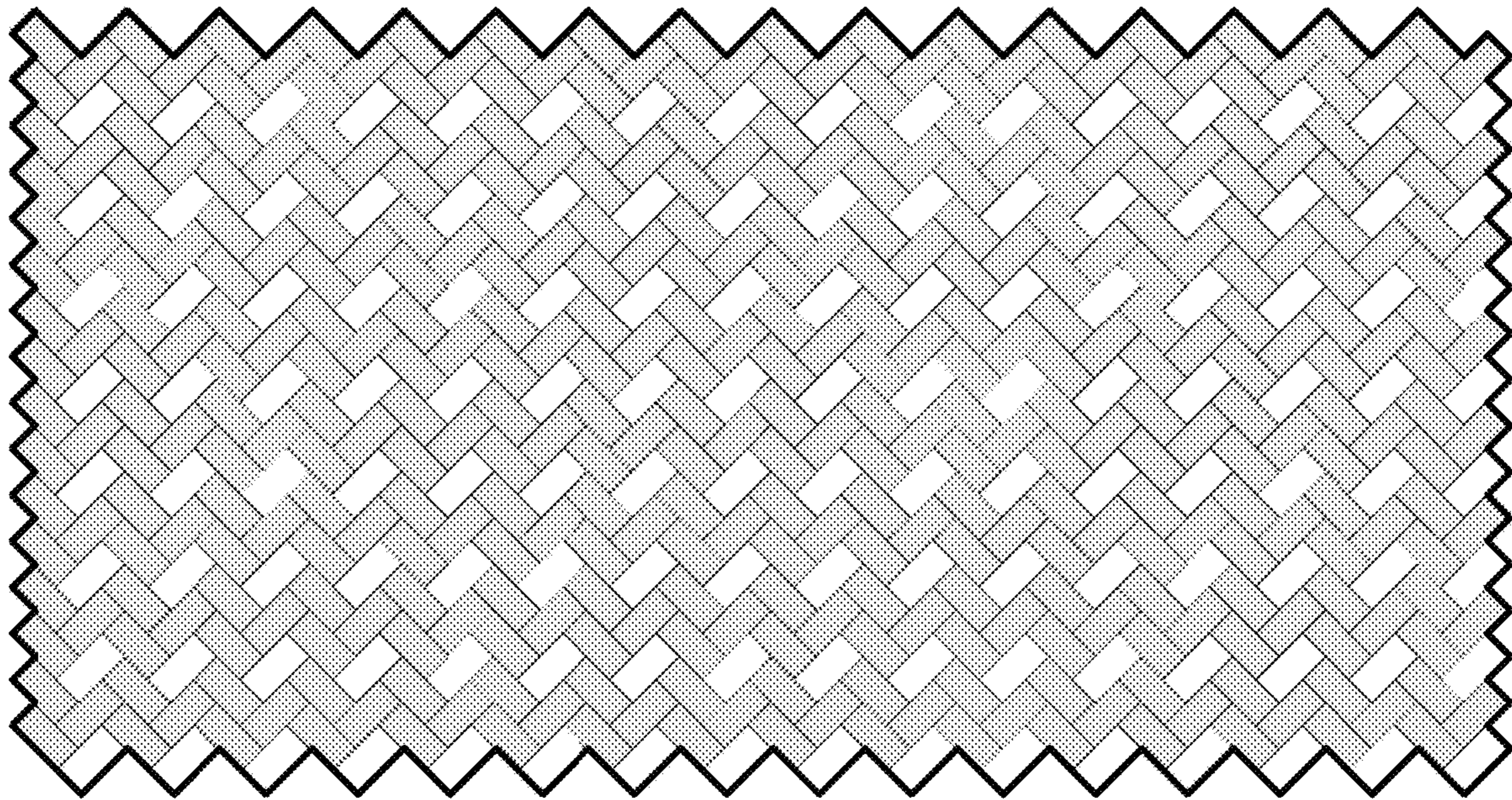


FIG. 4

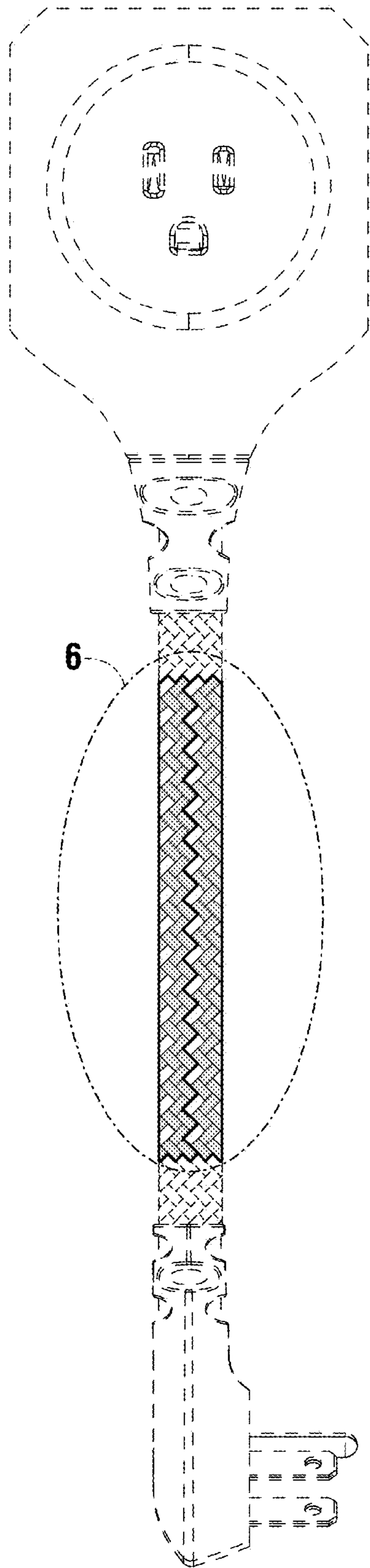


FIG. 5

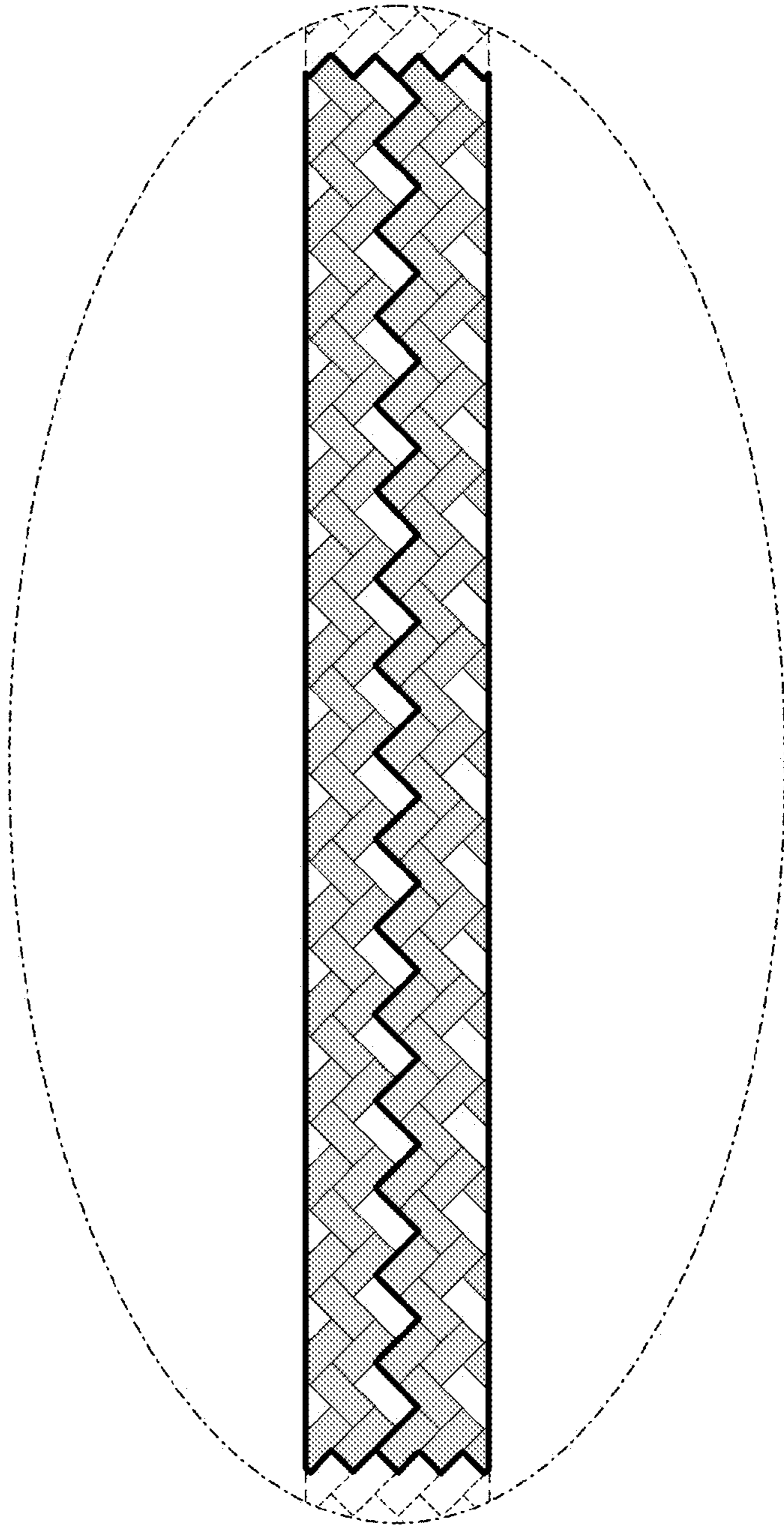


FIG. 6

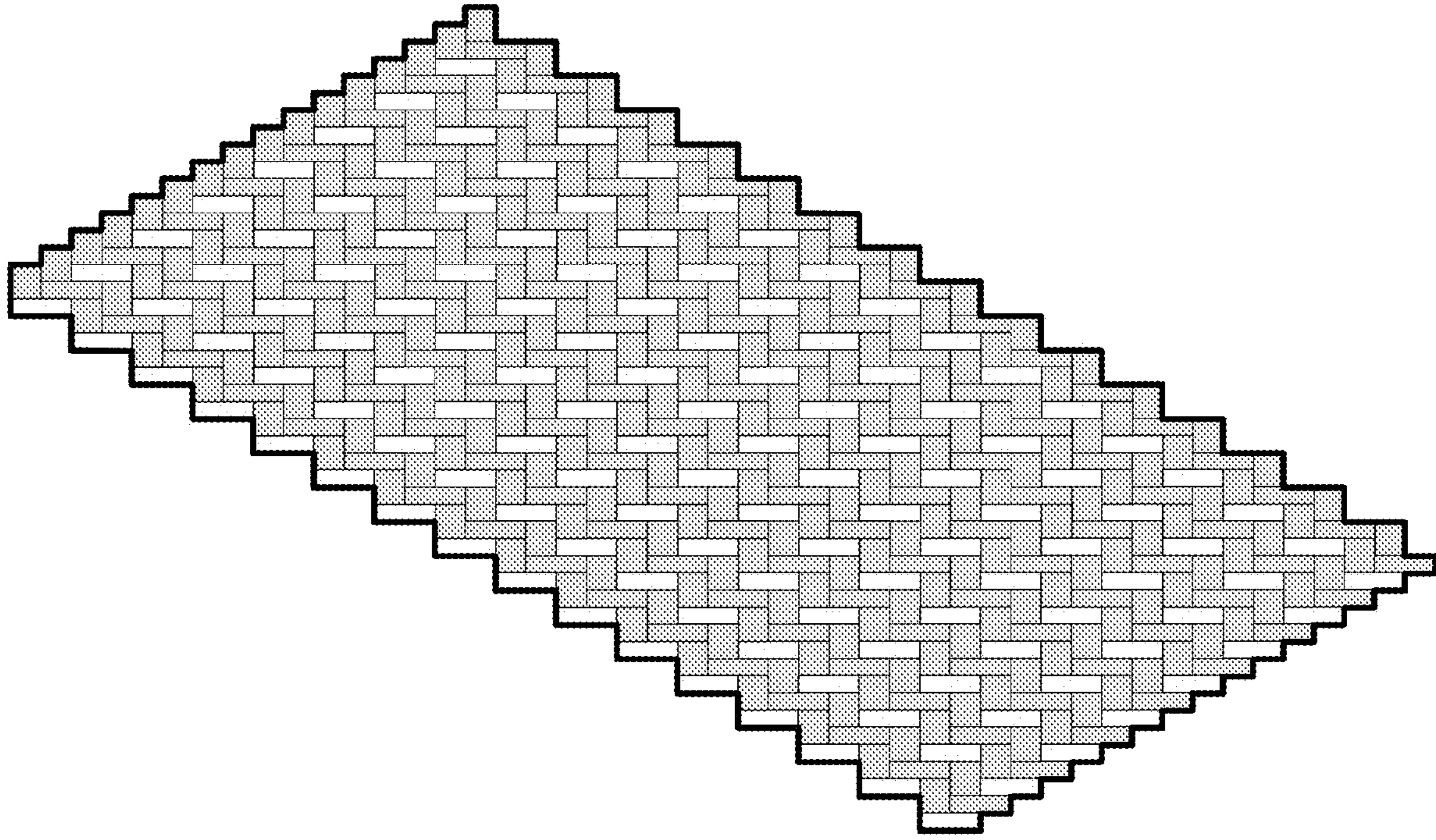


FIG. 7

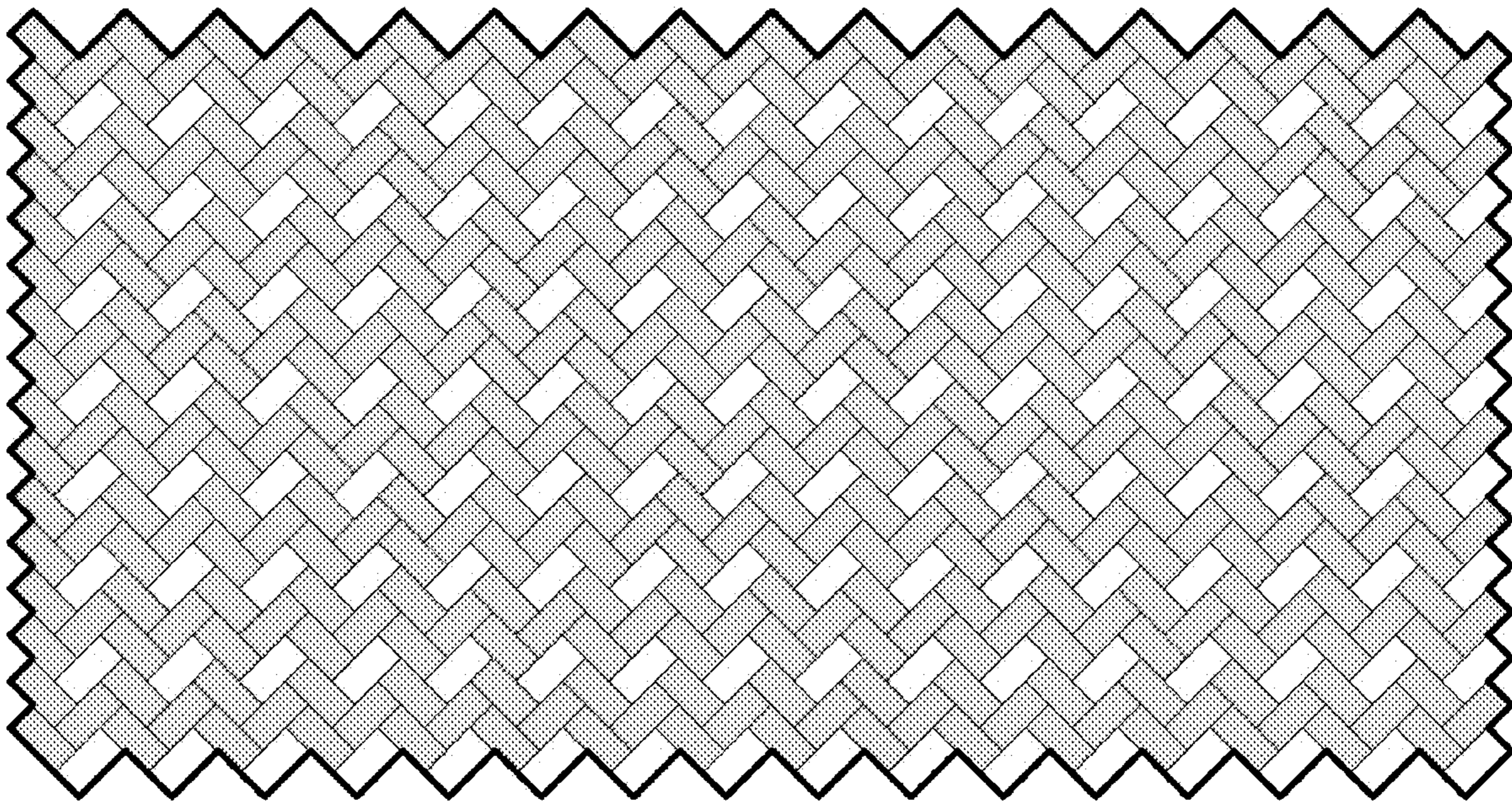


FIG. 8

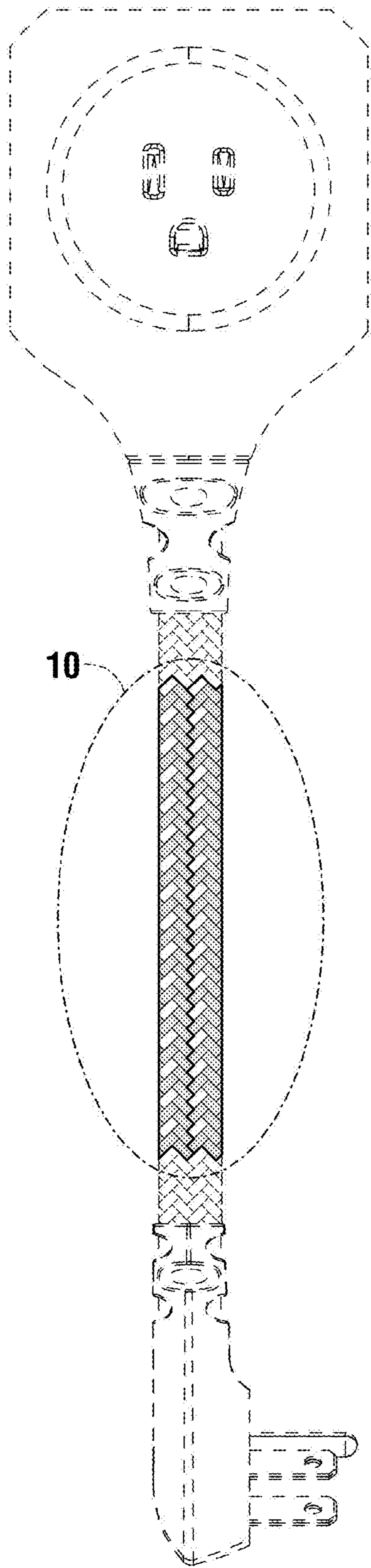


FIG. 9

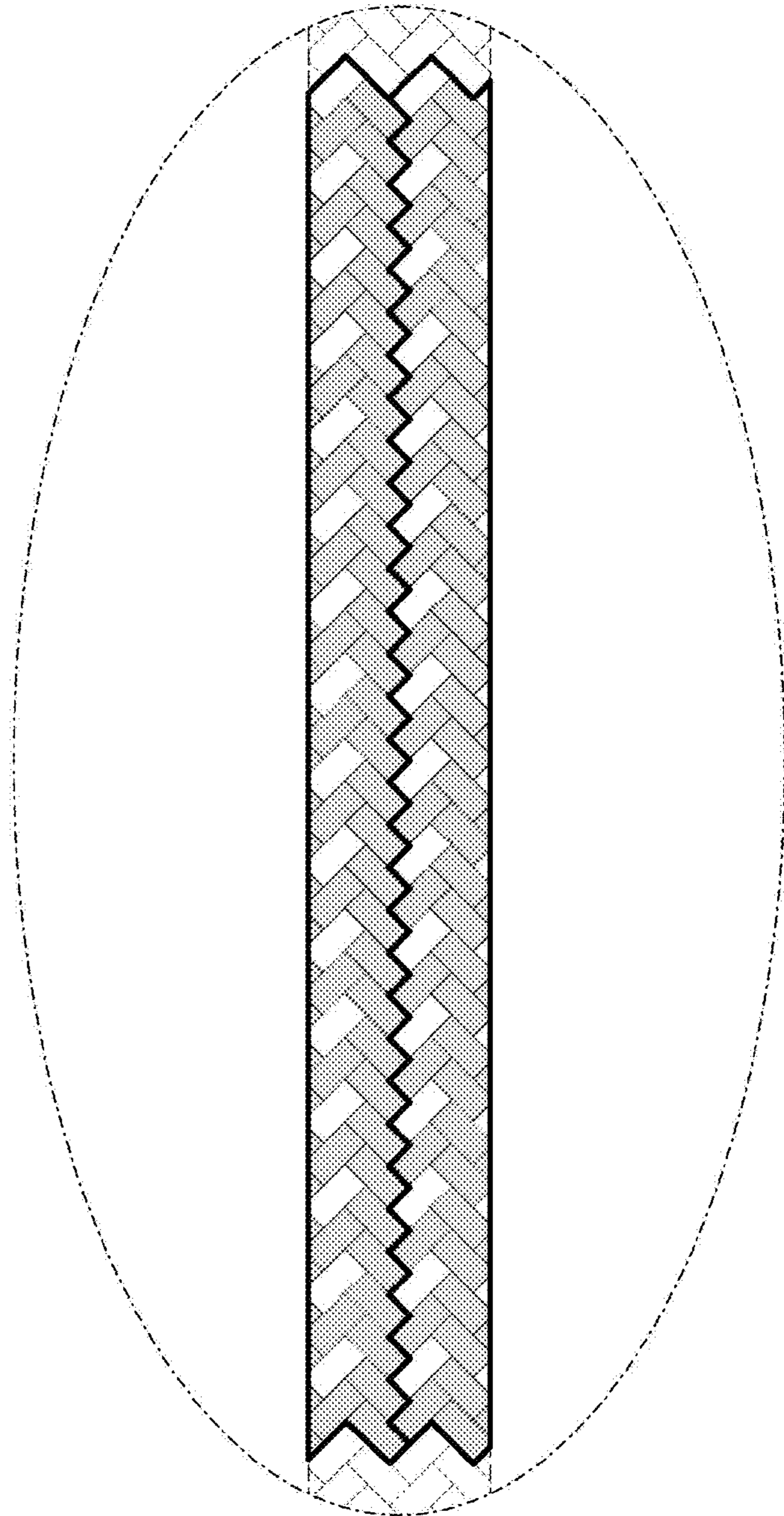


FIG. 10

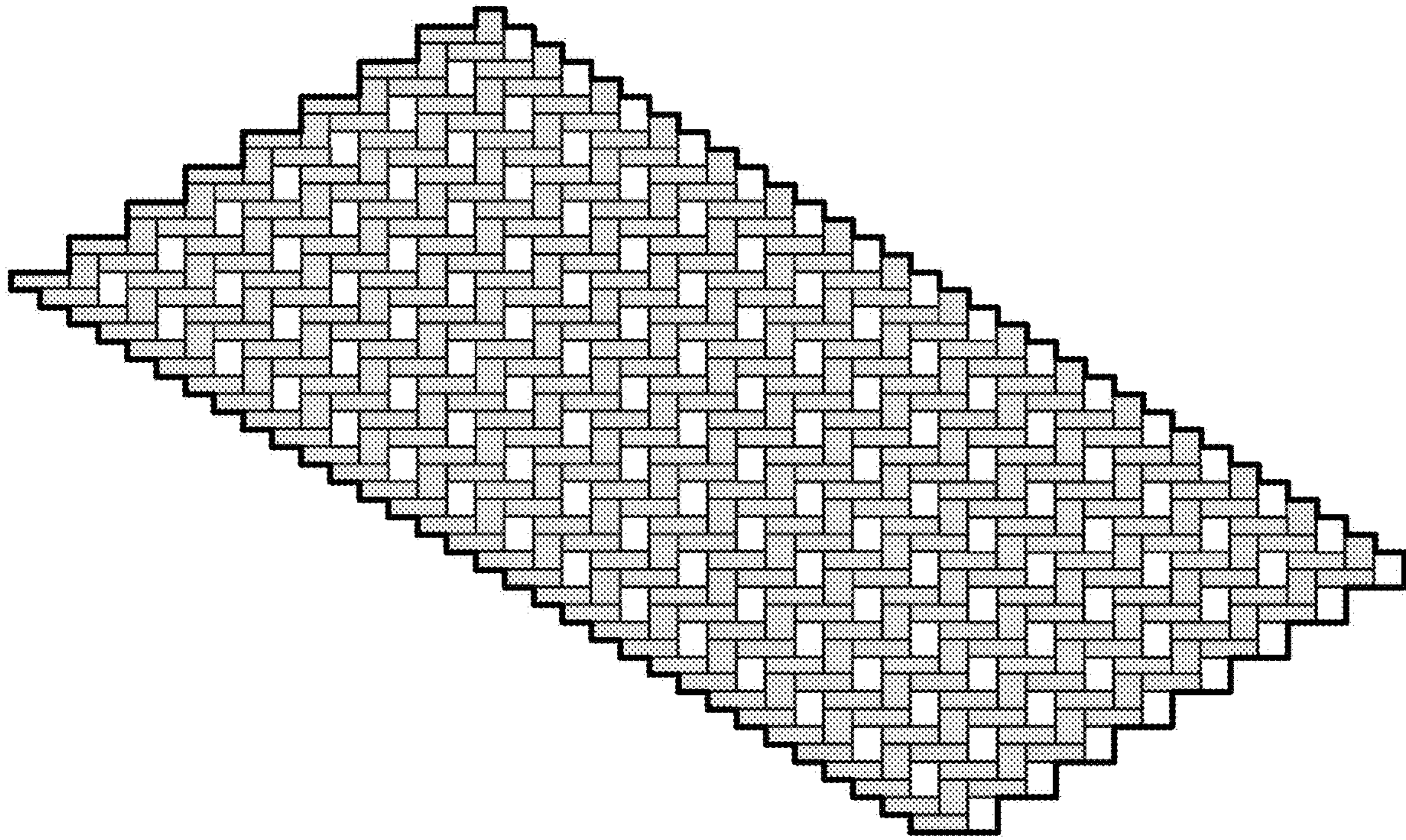


FIG. 11

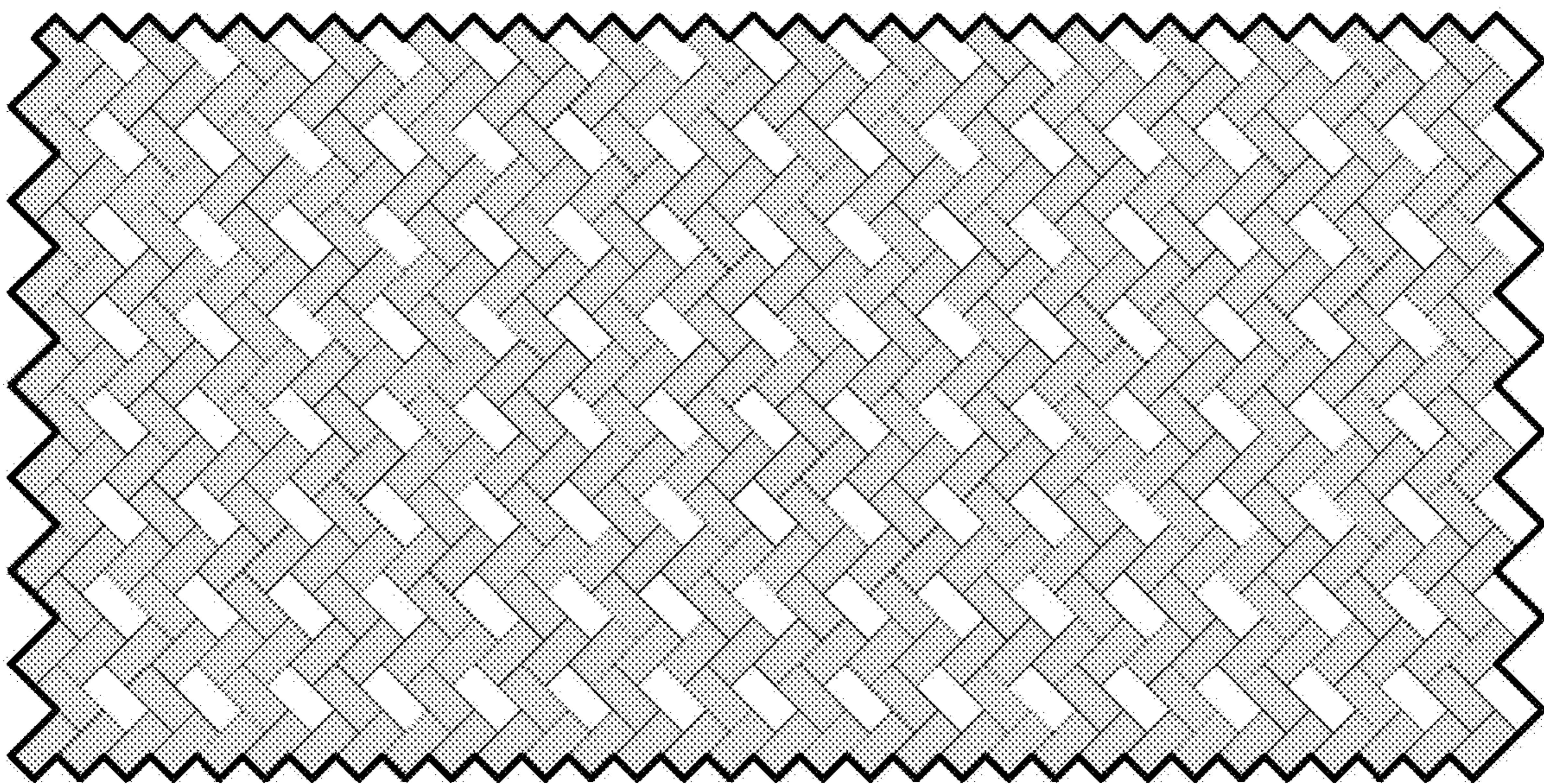


FIG. 12

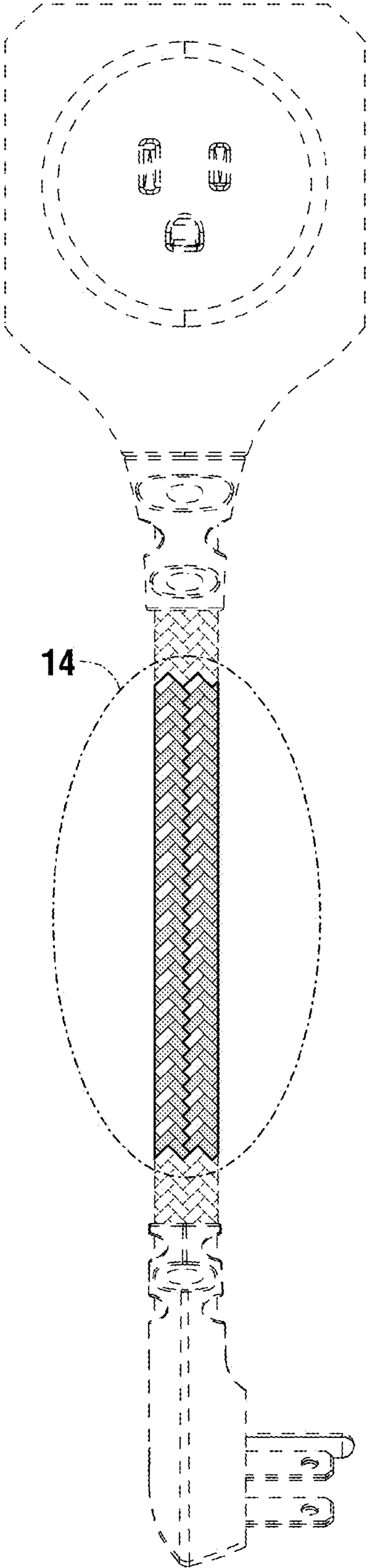


FIG. 13

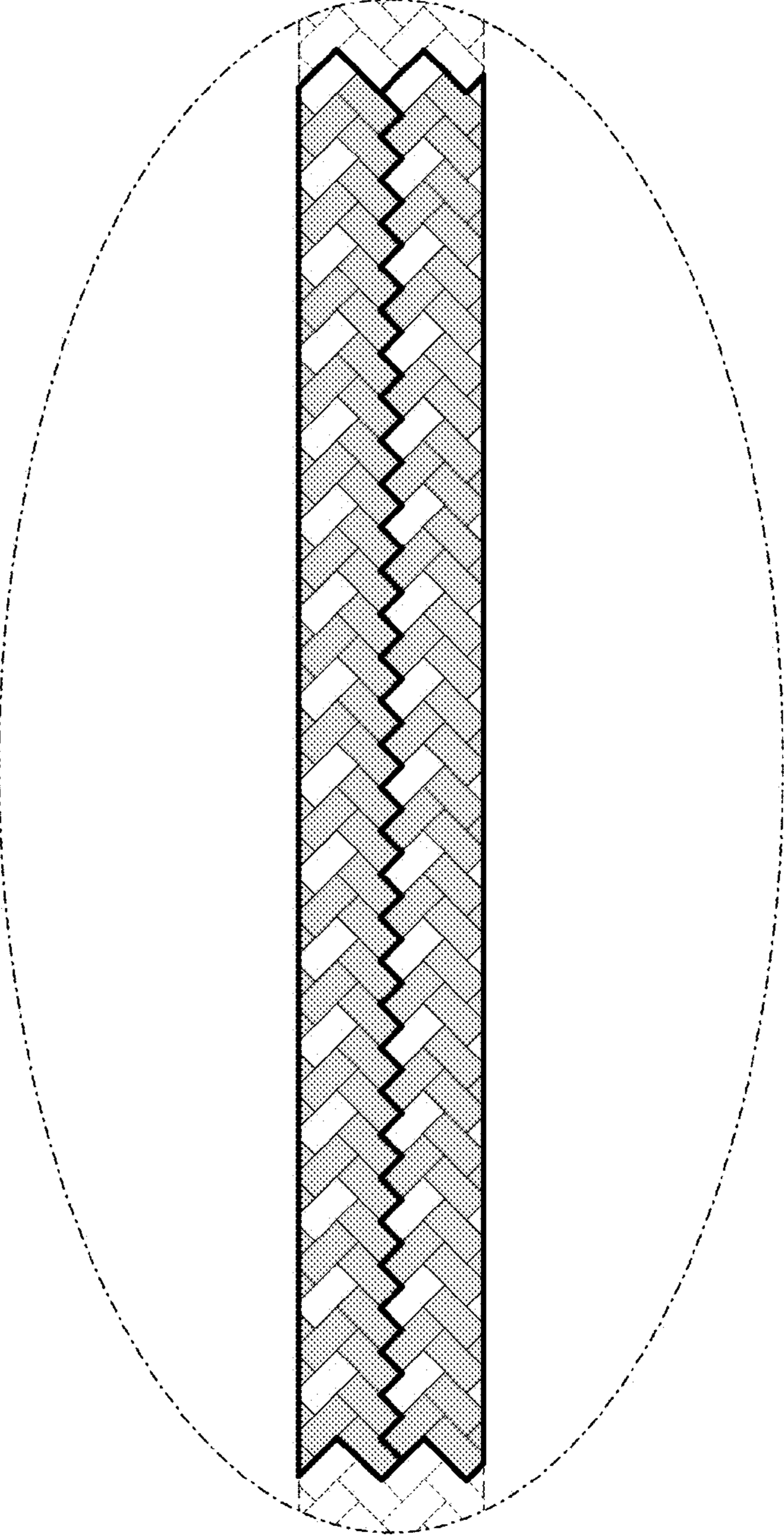


FIG. 14

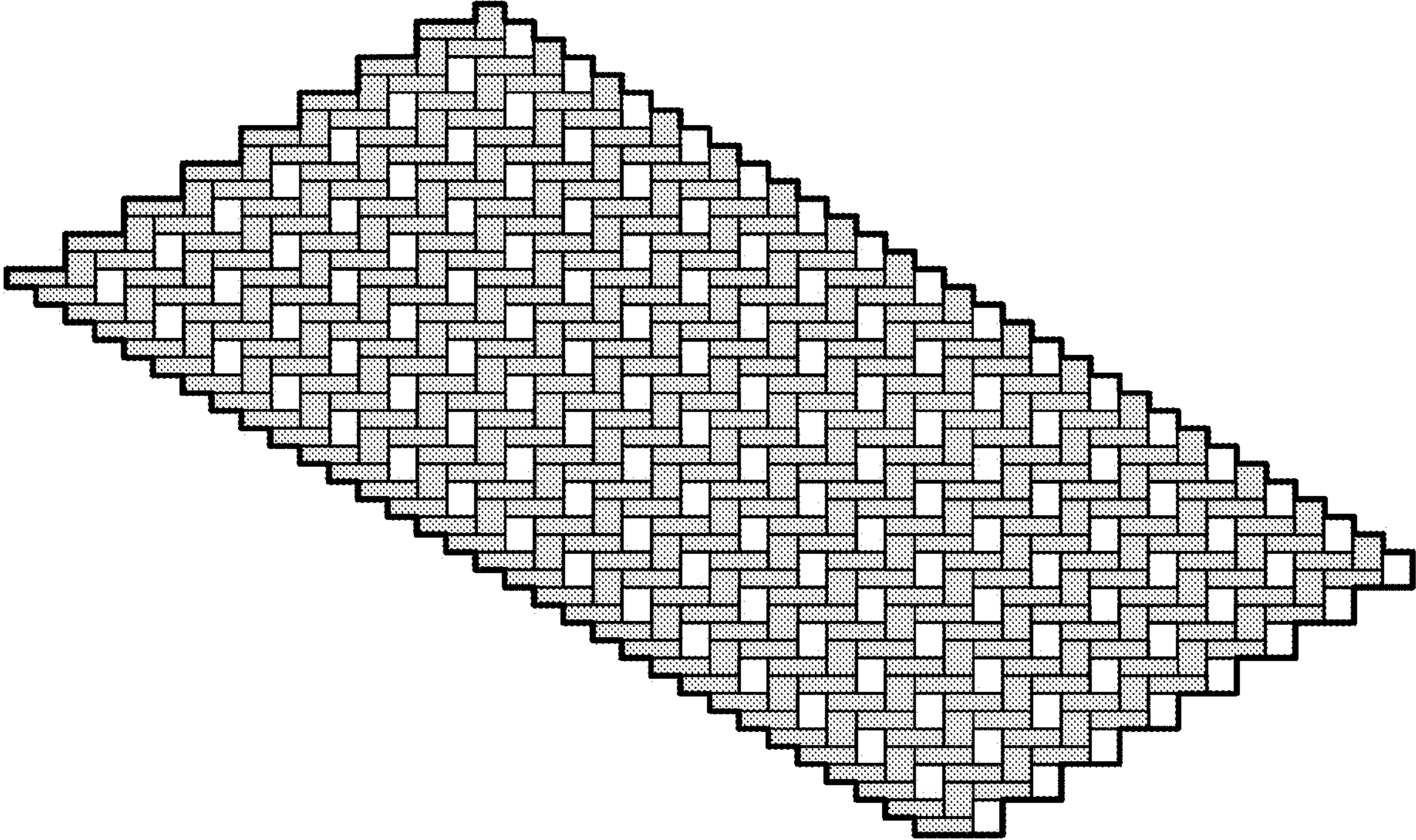


FIG. 15

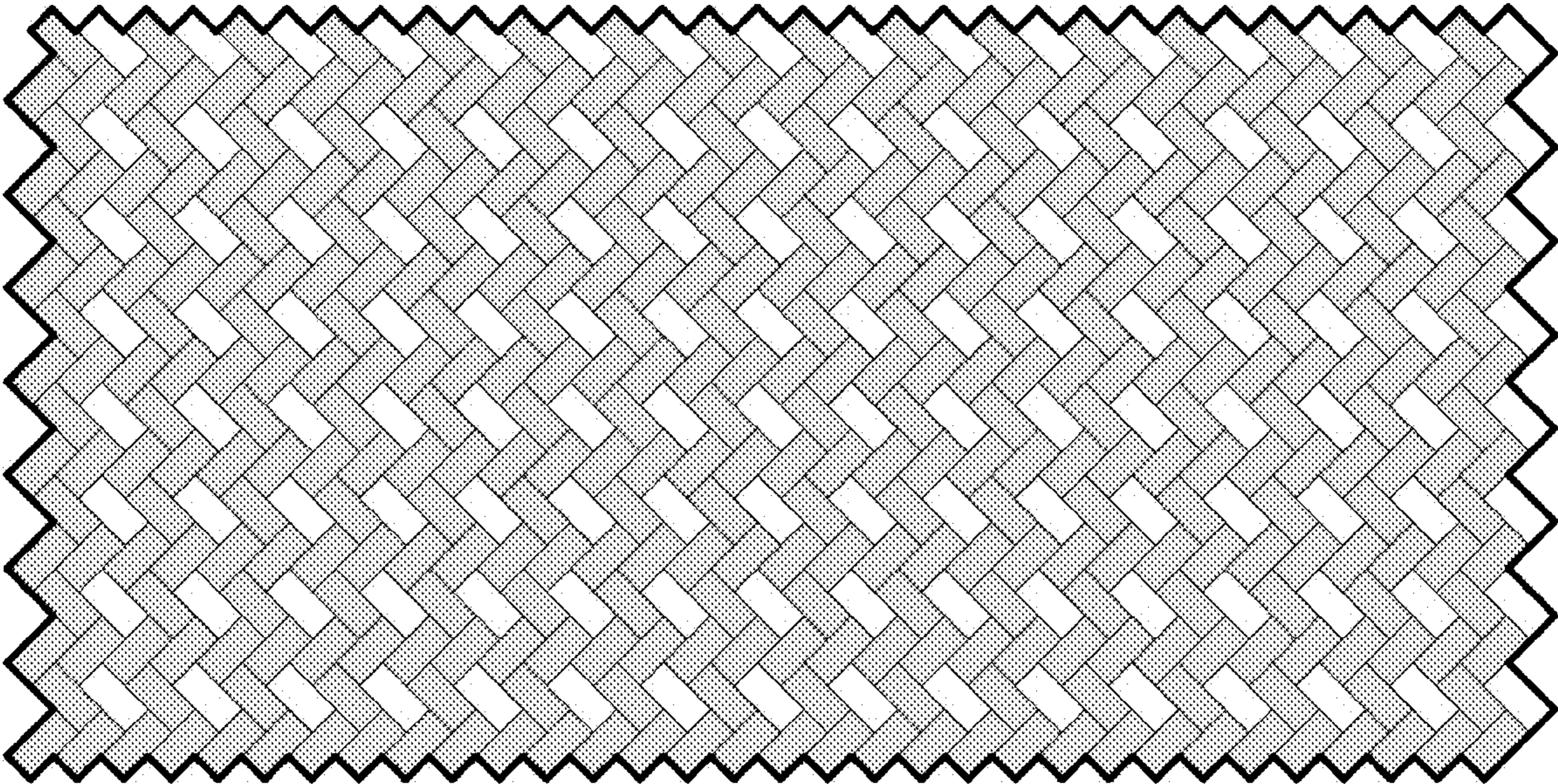


FIG. 16