

US00D930594S

(12) **United States Design Patent** (10) **Patent No.:** **US D930,594 S**
Kobayashi et al. (45) **Date of Patent:** **** Sep. 14, 2021**

(54) **CONNECTION PORT EXPANSION HUB FOR INDUSTRIAL AUTOMATION DEVICES**

(71) Applicant: **OMRON Corporation**, Kyoto (JP)

(72) Inventors: **Ryosuke Kobayashi**, Kusatsu (JP);
Heita Nada, Ritto (JP); **Naoki Shimada**, Kusatsu (JP)

(73) Assignee: **OMRON Corporation**, Kyoto (JP)

(**) Term: **15 Years**

(21) Appl. No.: **29/727,106**

(22) Filed: **Mar. 9, 2020**

(30) **Foreign Application Priority Data**

Oct. 4, 2019 (JP) 2019-022351

(51) **LOC (13) Cl.** **13-03**

(52) **U.S. Cl.**
 USPC **D13/147**

(58) **Field of Classification Search**
 USPC D13/101, 110, 118, 119, 120, 123, 133,
 D13/137.1, 138.1, 138.2, 146, 147, 151,
 D13/162.1, 184, 199; D14/356, 357, 358,
 D14/432, 433, 434
 CPC H01R 13/52; H01R 13/56; H01R 13/405;
 H01R 13/5202; H01R 13/5227; H01R
 13/6272; H02J 7/00; H02J 7/0045; H02J
 7/0052; Y02T 90/14; Y02T 10/7072;
 B60L 11/182; B60L 11/1818; G02B 6/38;
 G02B 6/4416

See application file for complete search history.

(56) **References Cited**

U.S. PATENT DOCUMENTS

D425,483 S *	5/2000	Bechtold	D13/147
6,527,599 B2 *	3/2003	Bechtold	H01R 13/405 439/209
D729,171 S *	5/2015	Dietel	D13/147
D736,713 S *	8/2015	Sekine	D13/147
D744,956 S *	12/2015	Sekine	D13/147
D825,472 S *	8/2018	Yamanaka	D13/147
D837,152 S *	1/2019	Wegerer	D13/110

* cited by examiner

Primary Examiner — Derrick E Holland

(74) *Attorney, Agent, or Firm* — Capitol City TechLaw

(57) **CLAIM**

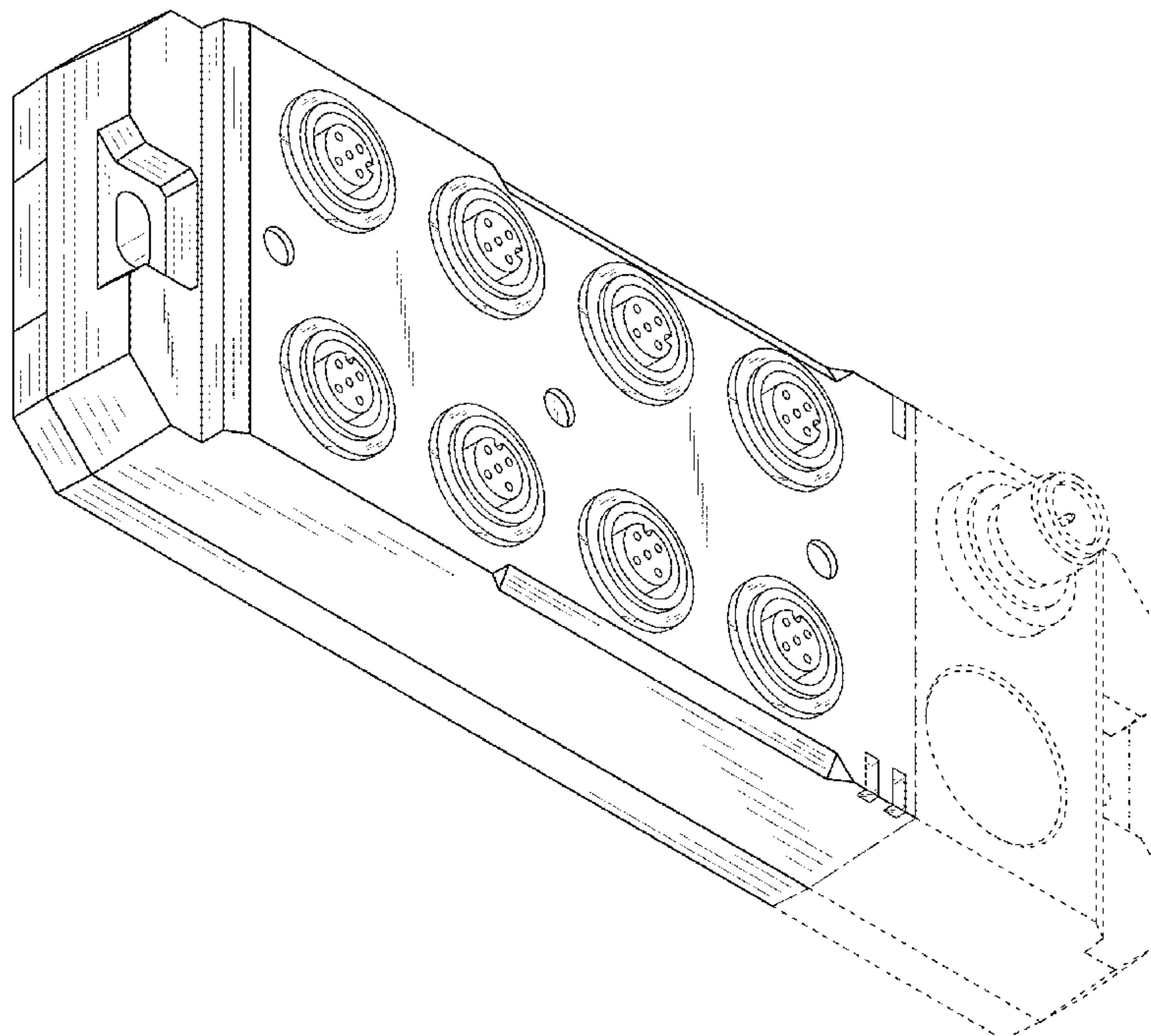
The ornamental design for a connection port expansion hub for industrial automation devices, as shown and described.

DESCRIPTION

FIG. 1 is a front, bottom, and left side perspective view of a connection port expansion hub for industrial automation devices showing our new design;
 FIG. 2 is a front view thereof;
 FIG. 3 is a rear view thereof;
 FIG. 4 is a left side view thereof;
 FIG. 5 is a right side view thereof;
 FIG. 6 is a top view thereof; and,
 FIG. 7 is a bottom view thereof.

The dashed broken lines in the figures show portions of the connection port expansion hub for industrial automation devices that form no part of the claimed design. The dot-dashed broken lines shown in the figures illustrate the bounds of the claim and form no part thereof.

1 Claim, 5 Drawing Sheets



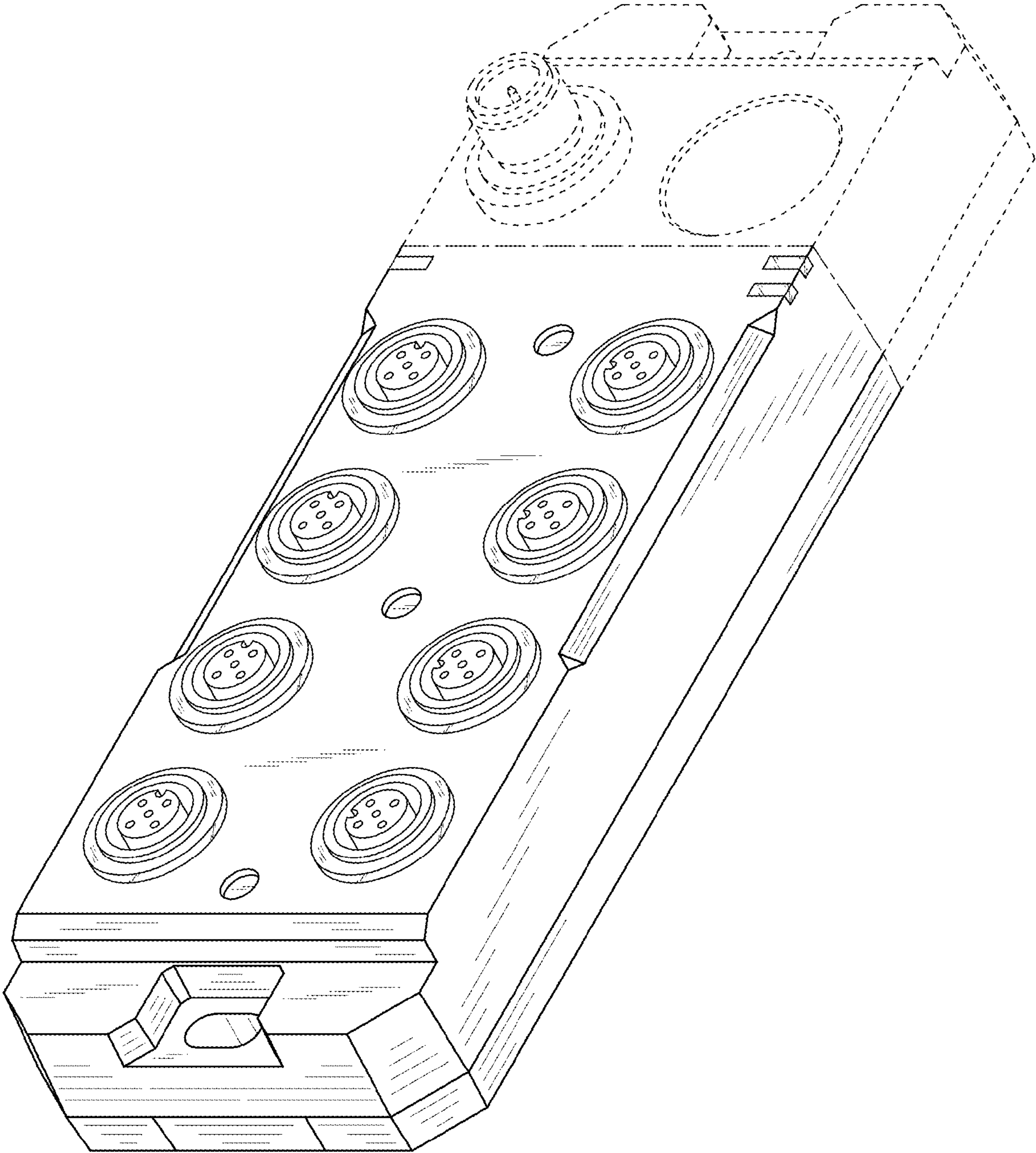


Fig. 1

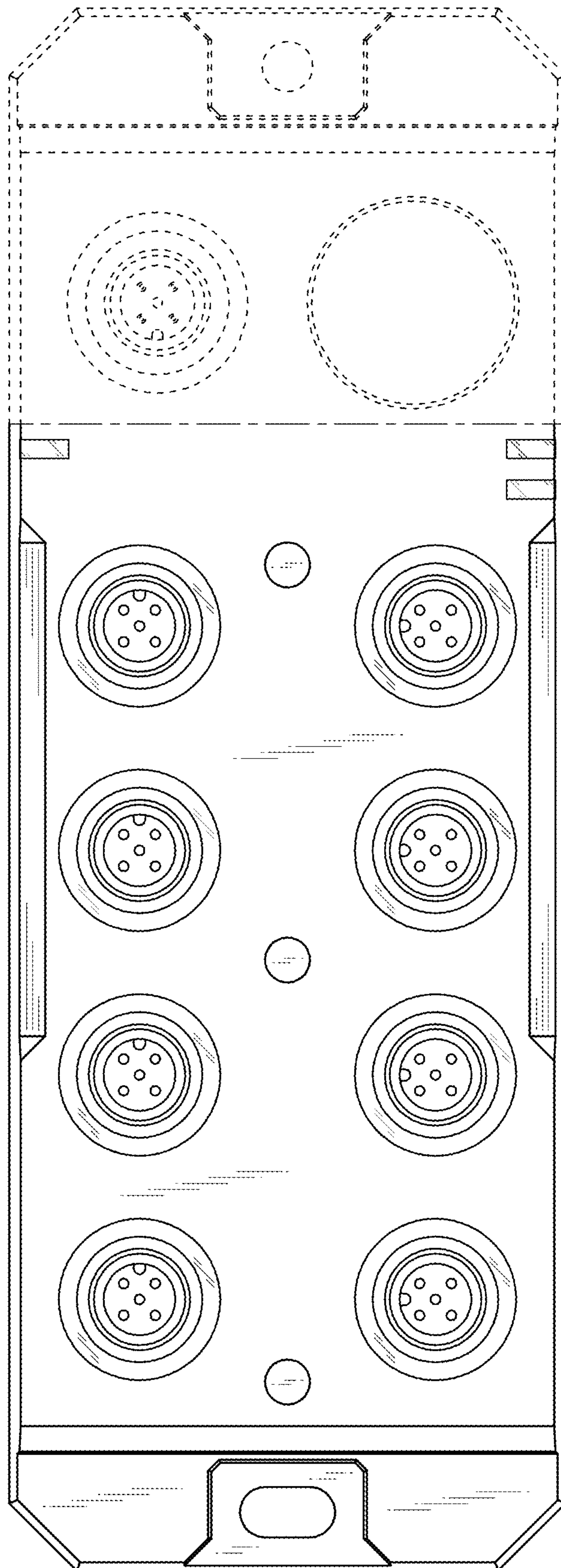


Fig. 2

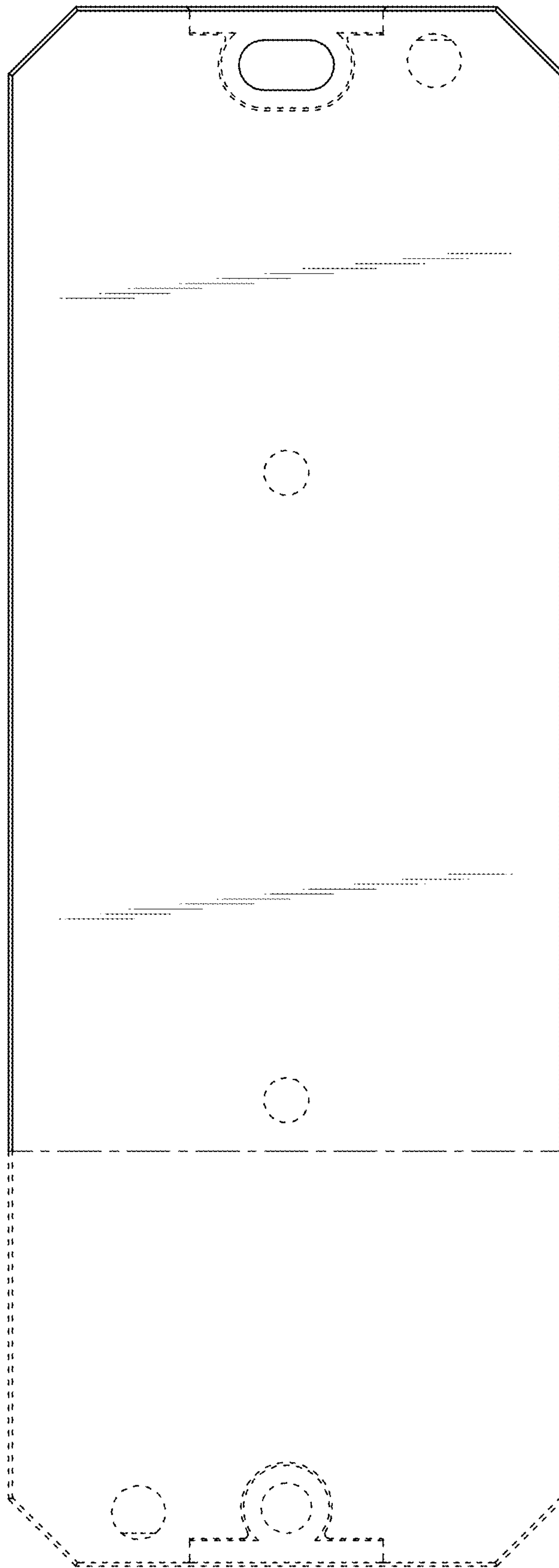


Fig. 3

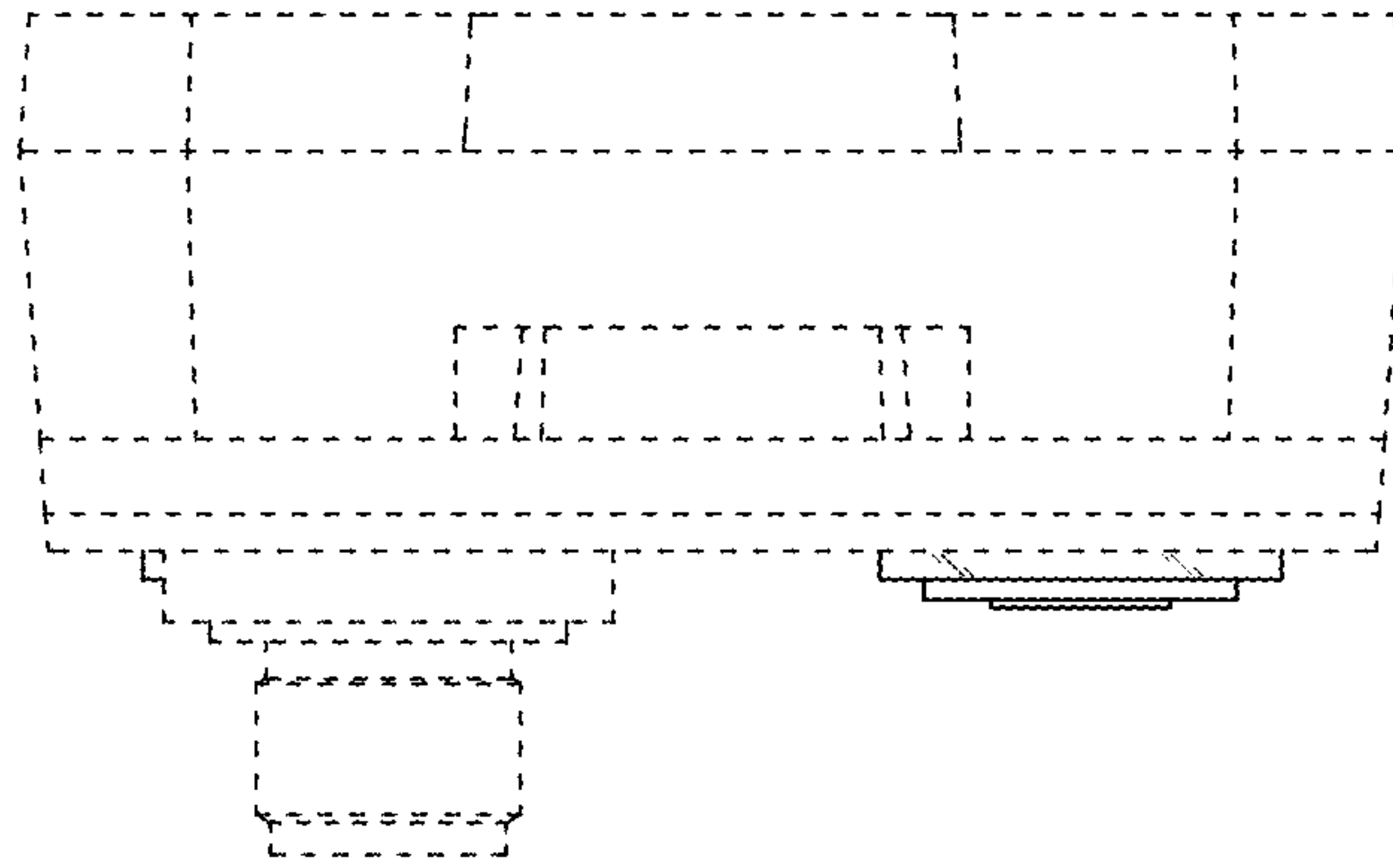


Fig. 5

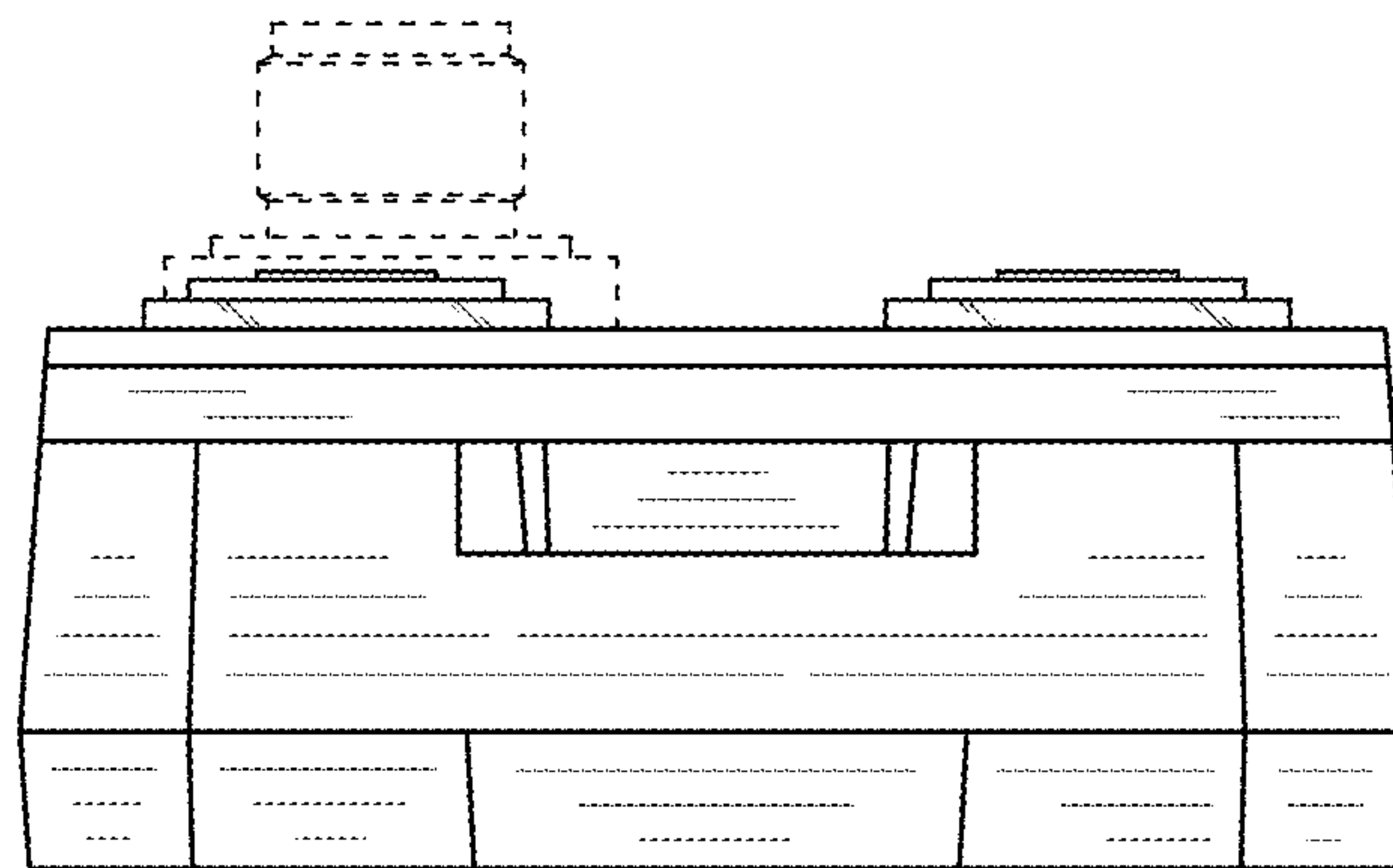


Fig. 4

Fig. 6

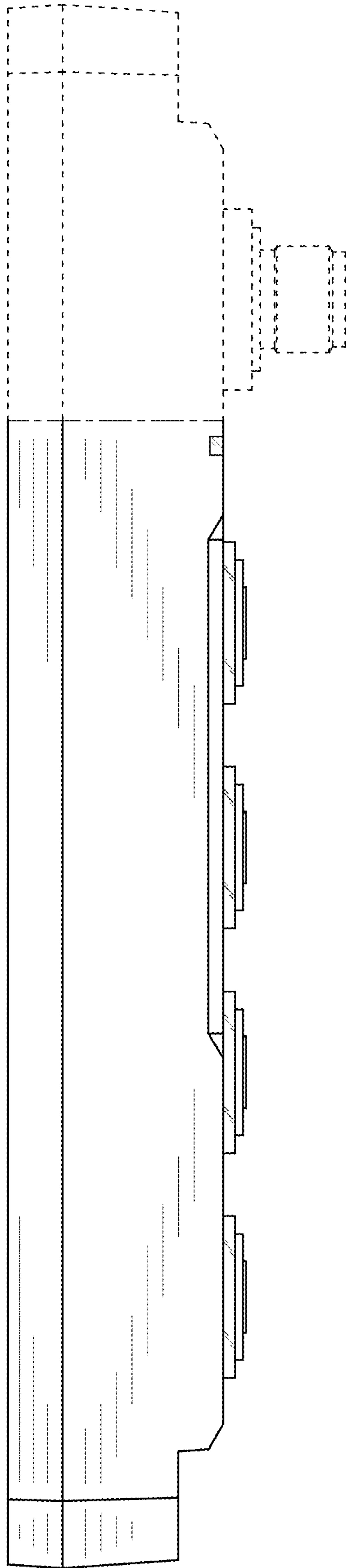


Fig. 7

